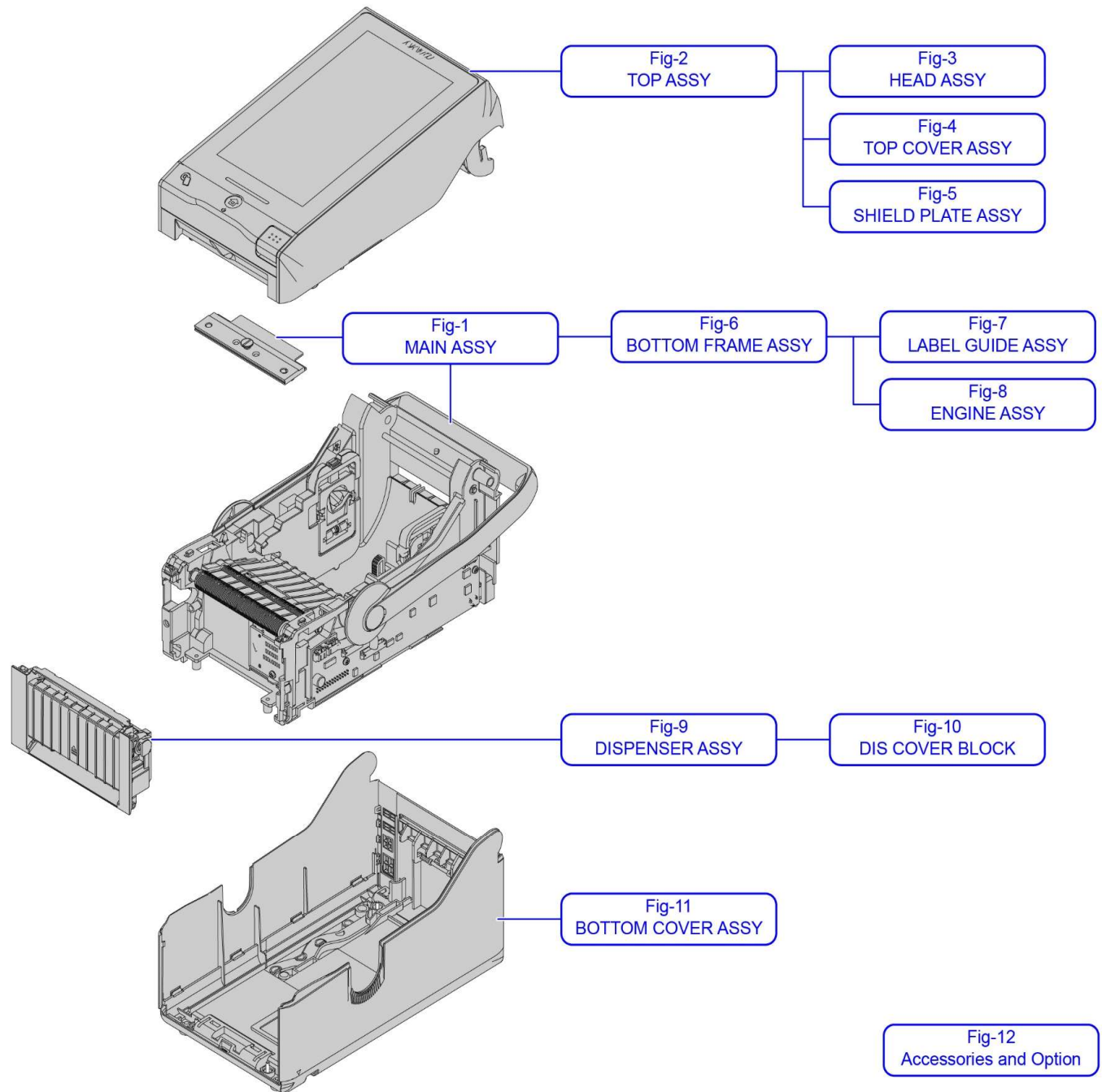




Service Parts

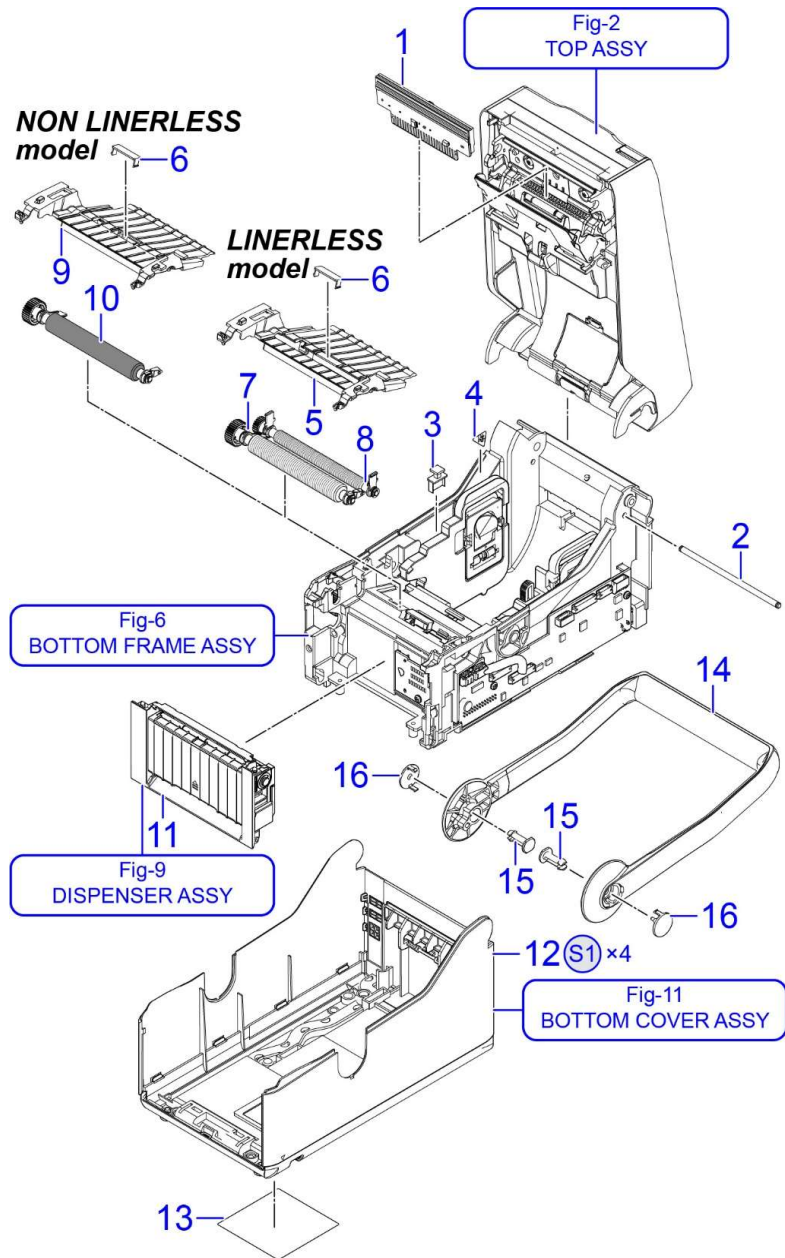
FX3-LX Series



Version : SC-FX3-r08-30-06-23SP

© 2018 SATO Corporation.

All rights reserved.

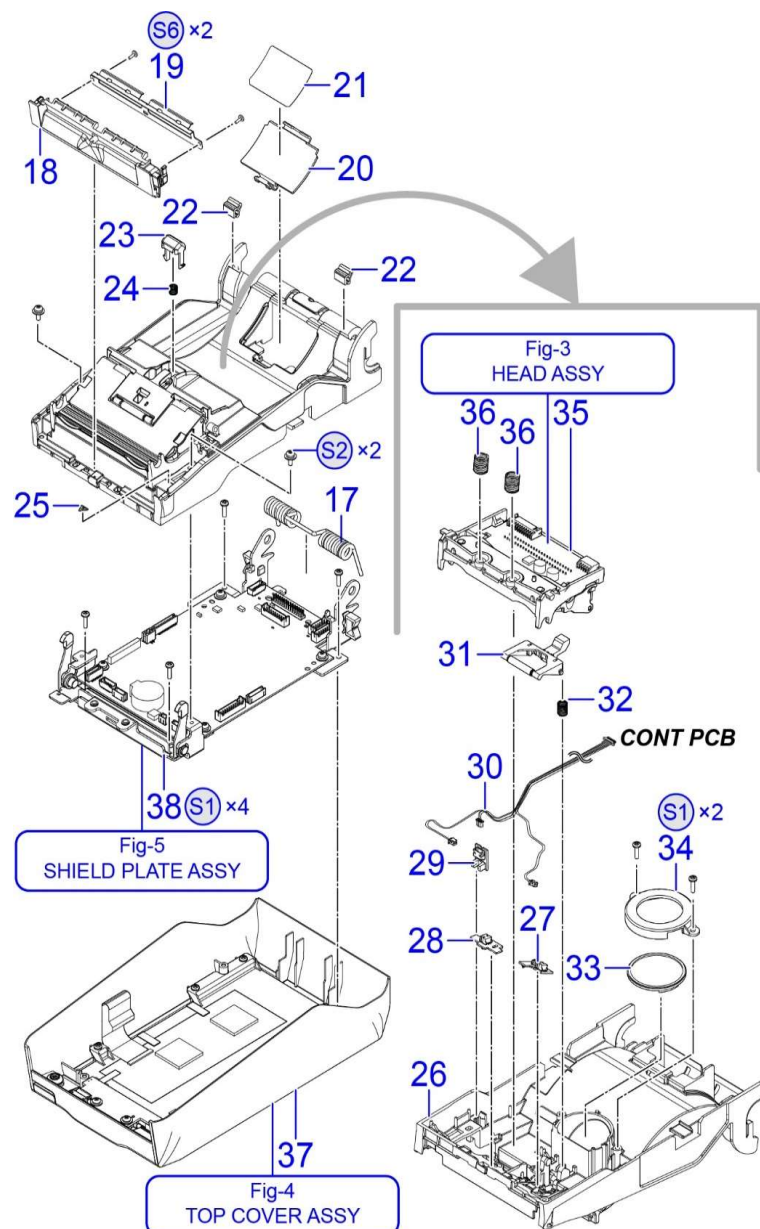
**MAIN ASSY**

No.	FIRST CODE	FIRST CODE(old)	DESCRIPTION	NOTE
1	G00641900		THERMAL HEAD(305dpi-3inch)-LF	*1
2	P57077900		HINGE SHAFT	
3	P57749900		USB A TYPE COVER	
4	Q04790600		CAUTION (COVER CLOSE)	
5	R37859400		INNER COVER SUB ASSY	LINERLESS MODEL
6	P57191903	P57191901	SENSOR COVER	
7	R34075500		PLATEN ROLLER S/A	*1
8	R34075600		FEED ROLLER S/A	*1
9	R37859500		INNER COVER B SUB ASSY	NON LINERLESS MODEL
10	R34075400		PLATEN ROLLER(B) S/A	*1
11 (Fig-9)	R34076100		DISPENSER ASSY	
				Note: Without DISP PCB and SENSOR
12 (Fig11)	R34075300		BOTTOM COVER(U)ASSY	USB MODEL
12 (Fig11)	R34075200		BOTTOM COVER(UL)ASSY	USB+LAN MODEL
S1	MH0301021		PAN HEAD P TIGHT SCREW	
13	P57761900		CONNECTOR SEAL (P)	
14	R33845200		HANDLE	
15	P57142800		HANDLE PIN	
16	P57260100		HANDLE COVER DE	
Fig-2			TOP ASSY	
Fig-6			BOTTOM FRAME ASSY	
Fig-12			Accessories and Option	

NOTE

*1: Recommended Spare parts

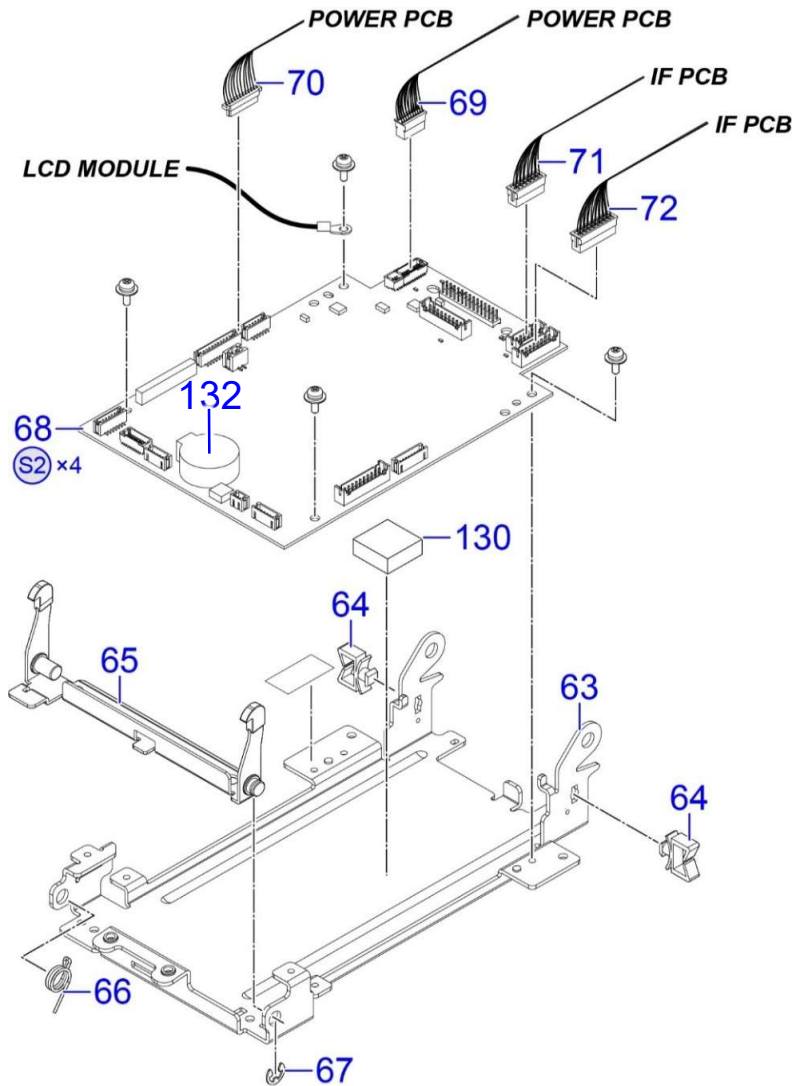
TOP ASSY



No.	FIRST CODE	FIRST CODE(old)	DESCRIPTION	NOTE
17	P57078000		COVER OPEN SPRING	
18	P57132500		FRONT COVER	
19	P58447900		FRONT COVER PLATE	
S6	M16249000		BIND HEAD P TIGHT SCREW	
20	P57296600		MAINTENANCE LID	
21	Q05034500		STICKER(LABEL SET)	
22	P59162101		LOCK_CLIP	
23	P57638200		LABEL DAMPER	
24	P57642100		LABEL DAMPER SPRING	
25	Q02348000		STICKER(HEAT CAUTION)	
26	P57076100		TOP FRAME	
S2	MD4300822		PAN HEAD SCREW+SW+WL	
27	R34044301		FX3-GAP PCB ASSY-LF	*1
28	R34044501		FX3-DISP-TR PCB ASSY-LF	*1
29	R34044201		FX3-CO PCB ASSY-LF	*1
30	R33282301		TOP SENSOR CABLE SET-LF	
31	R33747105		NIP ROLLER SET FEED	
32	P57743900		NIP SPRING(FEED)	
33	K00585900		SPEAKER -LF	
34	P57201900		SPEAKER HOLDER	
S1	MH0301021		PAN HEAD P TIGHT SCREW	
35 (Fig-3)	R34076602		HEAD ASSY	
36	P57295800		HEAD SPRING	
37 (Fig-4)	R34076700		TOP COVER ASSY	
38 (Fig-5)	R34076400		SHIELD PLATE ASSY	
S1	MH0301021		PAN HEAD P TIGHT SCREW	

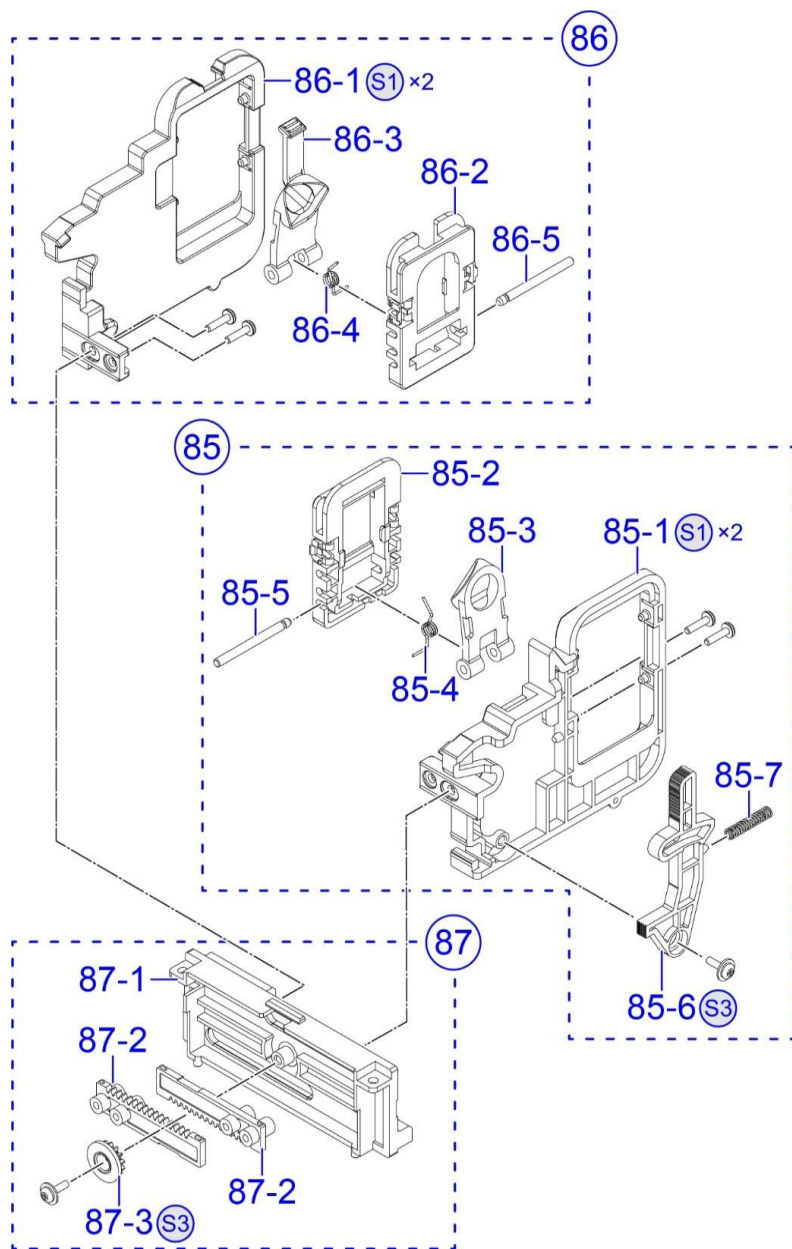
NOTE *1: Recommended Spare parts

SHIELD PLATE ASSY



No.	FIRST CODE	FIRST CODE(old)	DESCRIPTION	NOTE
63	P57076200		SHIELD_PLATE	
64	P58232000		RE-USE CLAMP	
65	R33402500		OPEN LEVER SET	
66	P57257900		OPEN LEVER SPRING	
67	ND0040022		E SNAP RING	
68	R35780100		FX3-CONT PCB(USB) AD ASSY-LF JAPAN(AD) USB MODEL	*1
68	R35780000		FX3-CONT PCB(LAN,USB) AD ASSY-LF JAPAN(AD) USB+LAN MODEL	*1
68	R34051306		FX3-CONT PCB(USB) ASSY-LF GLOBAL(LX) USB MODEL	*1
68	R34043107		FX3-CONT PCB(LAN,USB) ASSY-LF GLOBAL(LX) USB+LAN MODEL	*1
S2	MD4300822		PAN HEAD SCREW+SW+WL	
69	R33947305		PWR SIGNAL CABLE SET -LF	
70	R33947403		PWR SUPPLY CABLE SET -LF	
71	R33969102		LAN INTERFACE CABLE SET -LF	
72	R33969202		USB INTERFACE CABLE SET-LF	
130	P59693900		HEAT CONDUCTION	
132	K00489000	K00631900	COIN TYPE LI BATTERY-LF	CR2032

NOTE *1: Recommended Spare parts

LABEL GUIDE ASSY

No.	FIRST CODE	FIRST CODE(old)	DESCRIPTION	NOTE
85			LABEL GUIDE R S/A	
85-1	P56836700		LABEL GUIDE R	
S1	MH0301021		PAN HEAD P TIGHT SCREW	
85-2	P57218000		FLAP FRAME	
85-3	P57064900		FLAP PIN R	
85-4	P57216400		FLAP PIN SP	
85-5	P57218100		FLAP SHAFT	
85-6	P57064700		LOCK LEVER	
S3	MH9300822		PAN HEAD P TIGHT SCREW	
85-7	P57256601		LOCK LEVER SPRING	
86			LABEL GUIDE L S/A	
86-1	P56836600		LABEL GUIDE L	
S1	MH0301021		PAN HEAD P TIGHT SCREW	
86-2	P57218000		FLAP FRAME	
86-3	P57303000		FLAP PIN L	
86-4	P57216400		FLAP PIN SP	
86-5	P57218100		FLAP SHAFT	
87			LABEL GUIDE ASSY	
87-1	P57178200		RACK CASE	
87-2	P57178400		LABEL GUIDE RACK	
87-3	PJ0A20500		GEAR(L.GUIDE)	
S3	MH9300822		PAN HEAD P TIGHT SCREW	

Accessories and Option

No.	FIRST CODE	FIRST CODE(old)	DESCRIPTION	NOTE
124	WWFX35100		CUTTER KIT	
124	WWFX35101		CUTTER KIT(C1)	EU
125	WWFX35200		PARTIAL CUTTER KIT	
125	WWFX35201		PARTIAL CUTTER KIT(C1)	EU
126	K00571908	K00571904	AC ADAPTOR-LF	IEC62368-1 for EU r
127-1	H03101900		AC CABLE-LF	JAPAN
127-2	H03192600		AC CABLE-LF	CHINA
127-3	H03192400		AC CABLE-LF	USA
127-4	H03192500		AC CABLE-LF	EU
127-5	H03274000		AC CABLE-LF	UK/MY/SIN
127-6	H03273900		AC CABLE-LF	AU/NZ
127-7	H03192700		AC CABLE-LF	Korea
127-8	H03611900		AC CABLE-LF	Taiwan
128	WWFX35800		WLAN/Bluetooth kit	
129	WWFX35000		BATTERY	
130	WWFX35900		NONSEPA CUTTER KIT FOR FX3	
131	P62741902		CUTTER C FINGER COVER	EU Only
132	R39613400		LINERLESS CUTTER KIT	
133	R39613600		LINERLESS LABEL GUIDE ASSY	
134	R39991100		COTTON SWAB SET	
135	R45643401		FULL HM NONSEPA CUTTER KIT	Global Only
S1	MH0301021		PAN HEAD P TIGHT SCREW	

