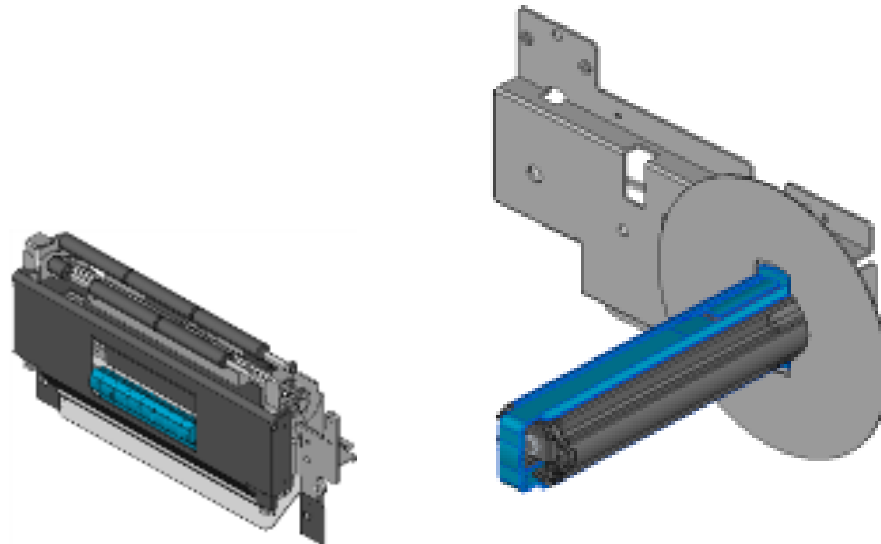


DISPENSER KIT (CL4NX) SERVICE PARTS LIST

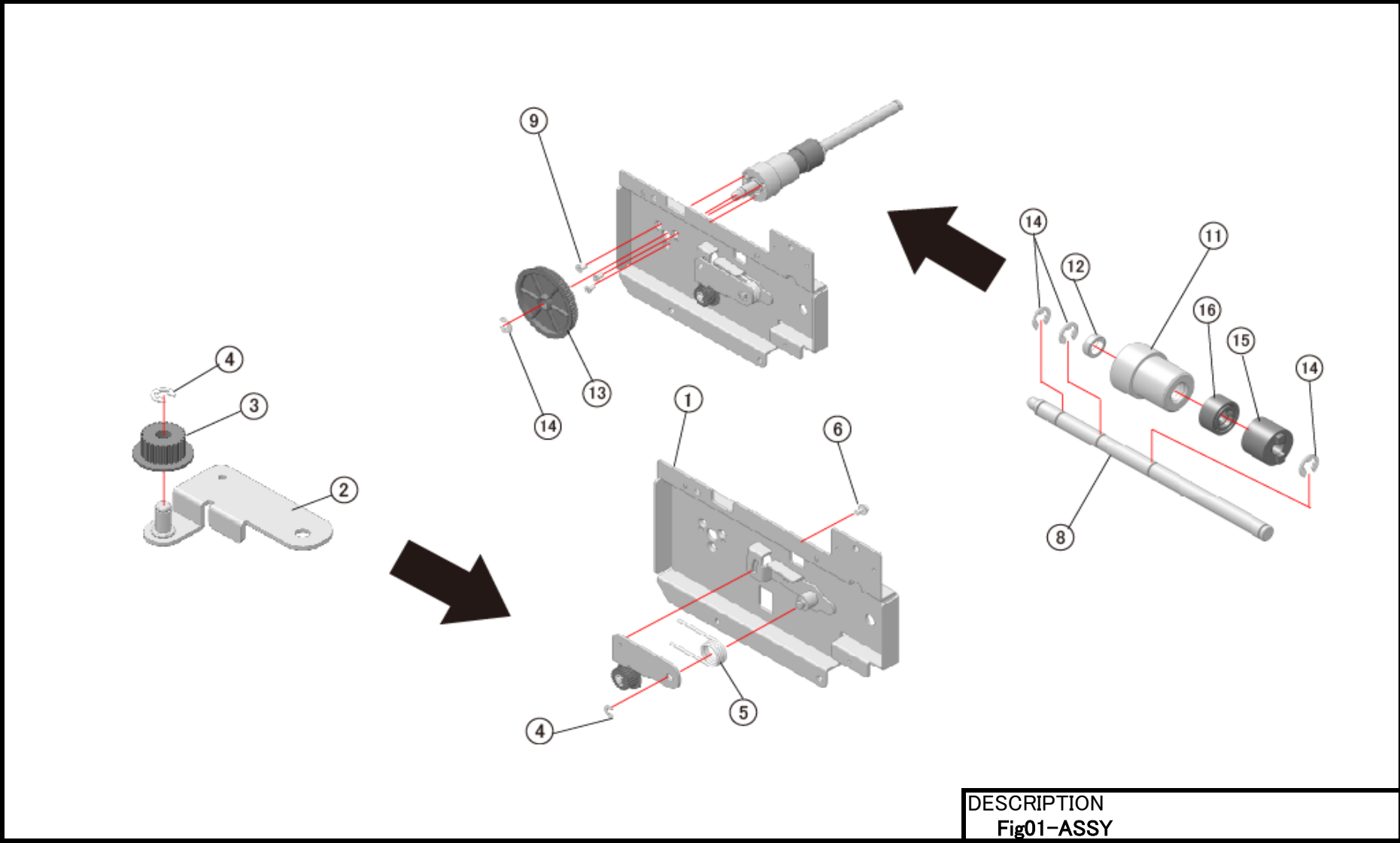


Create Date:

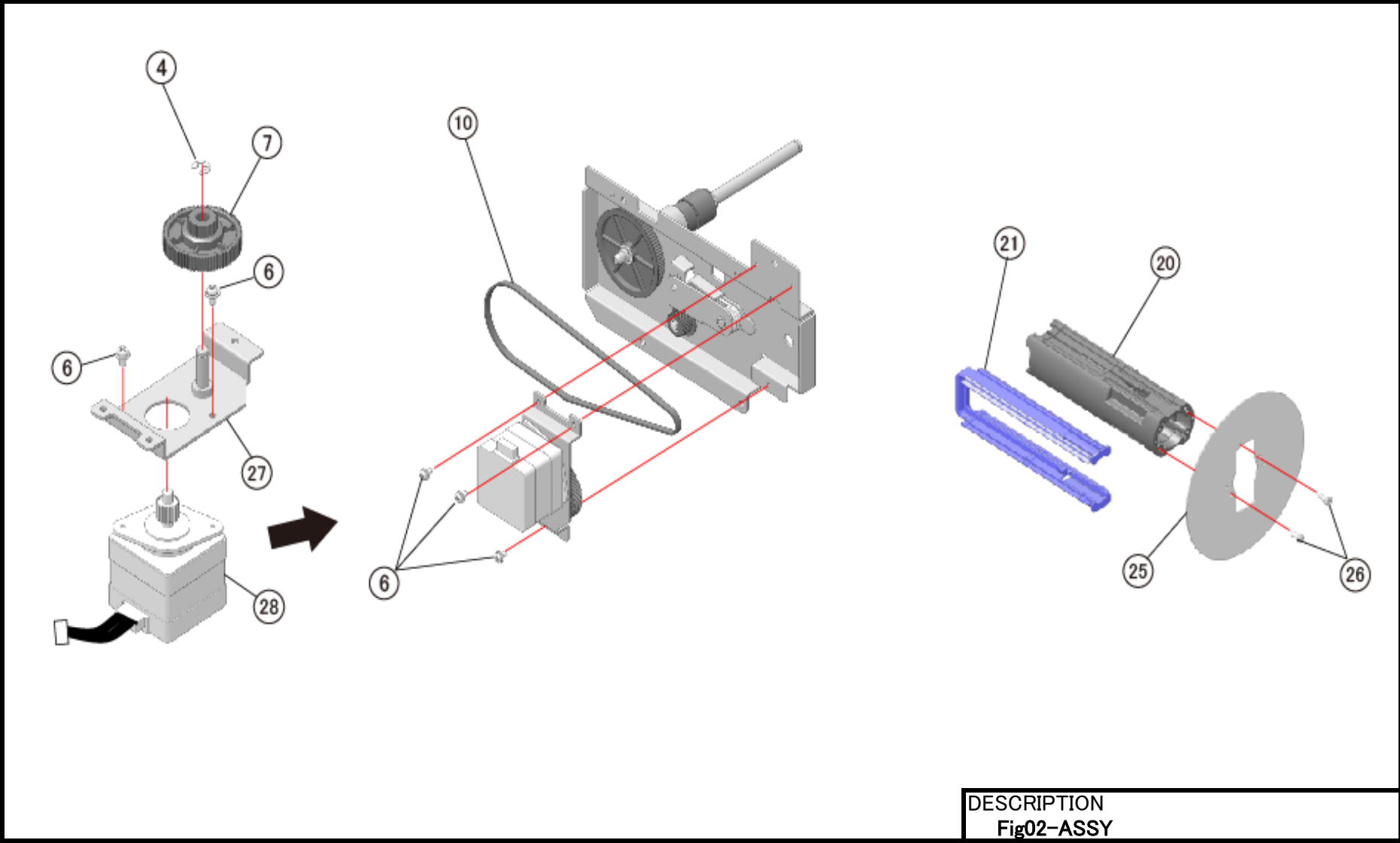
WWCL05297

WWCL05298

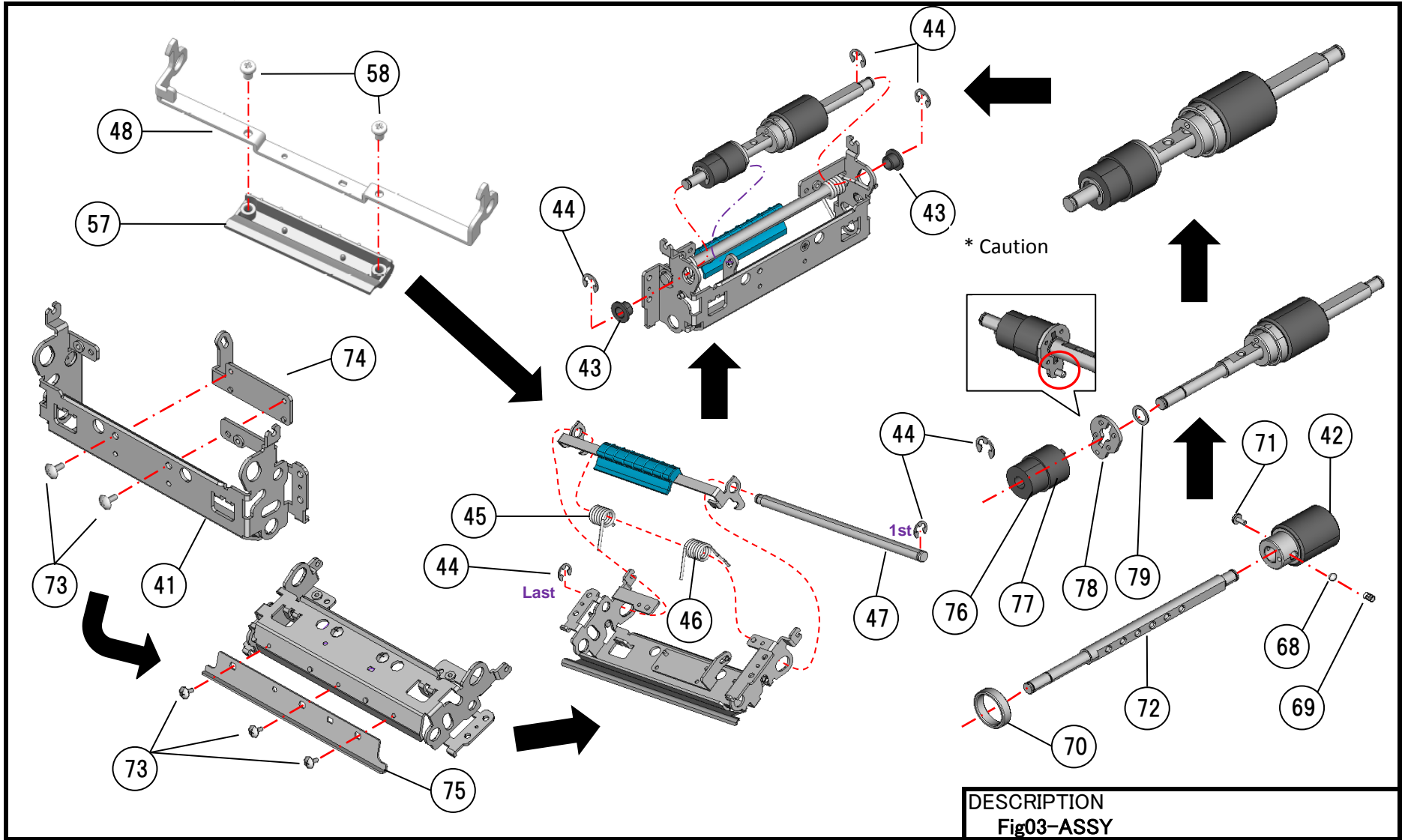
DISPENSER KIT(CL4NX) SERVICE PARTS LIST



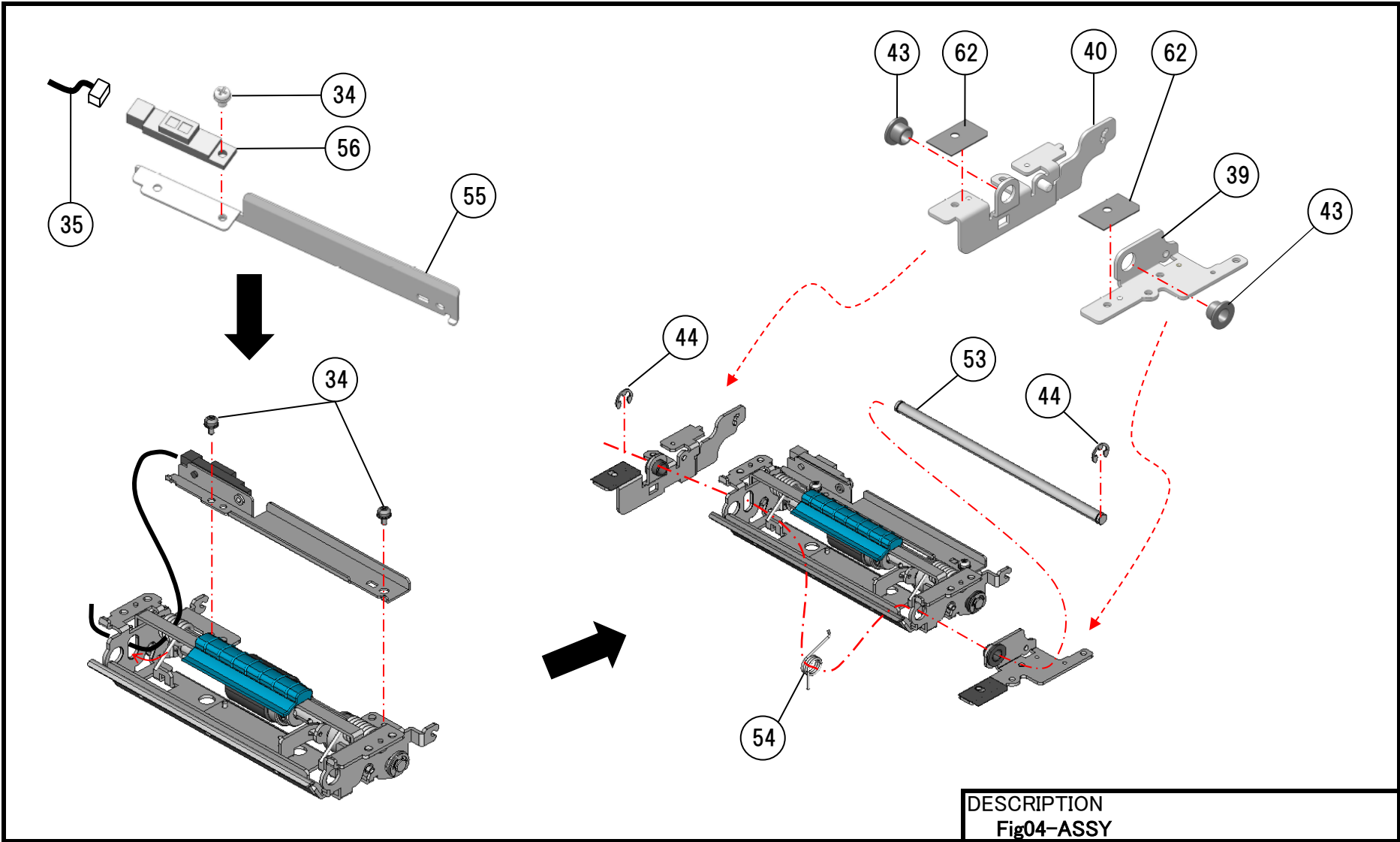
DISPENSER KIT(CL4NX) SERVICE PARTS LIST



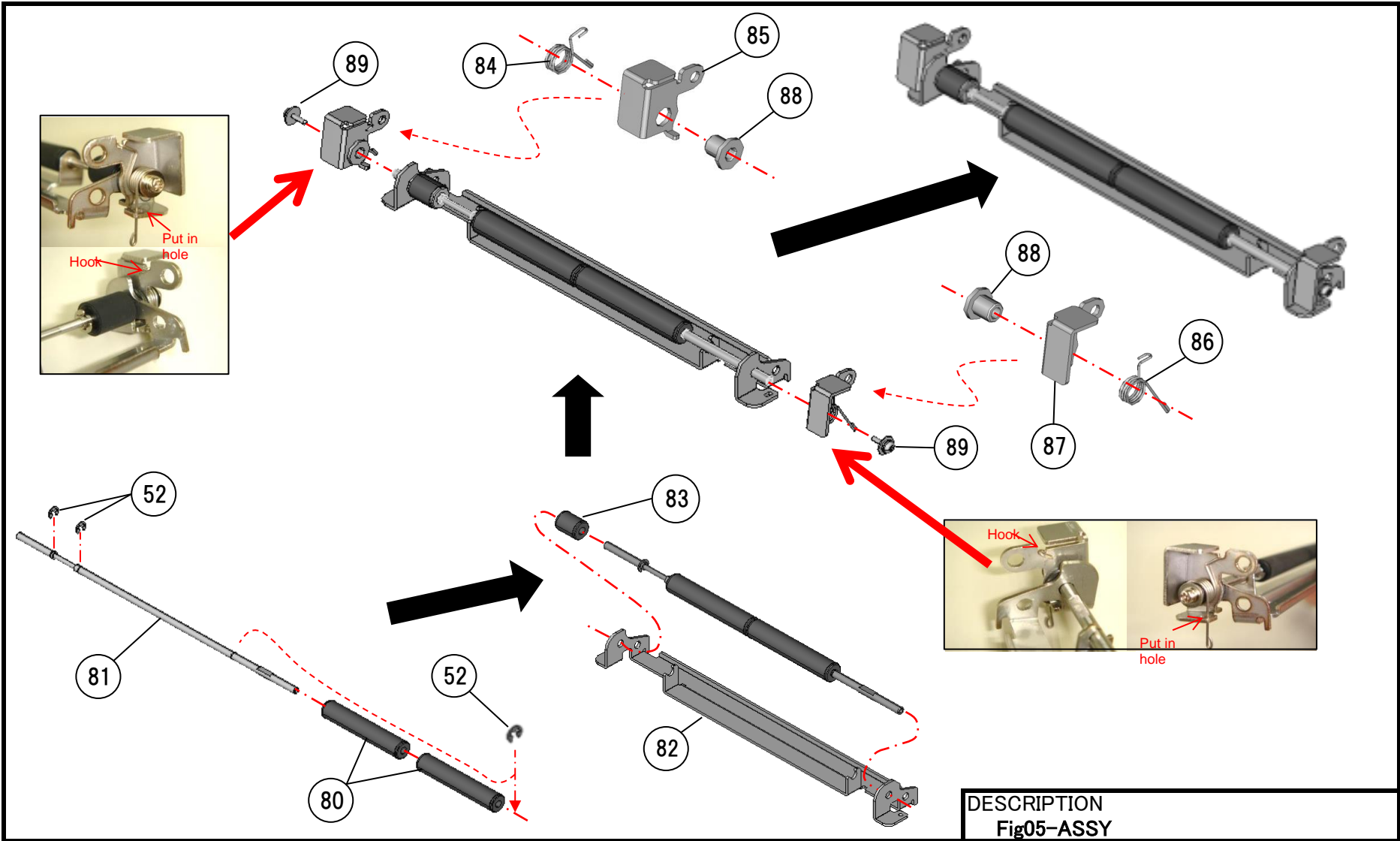
DISPENSER KIT(CL4NX) SERVICE PARTS LIST



DISPENSER KIT(CL4NX) SERVICE PARTS LIST

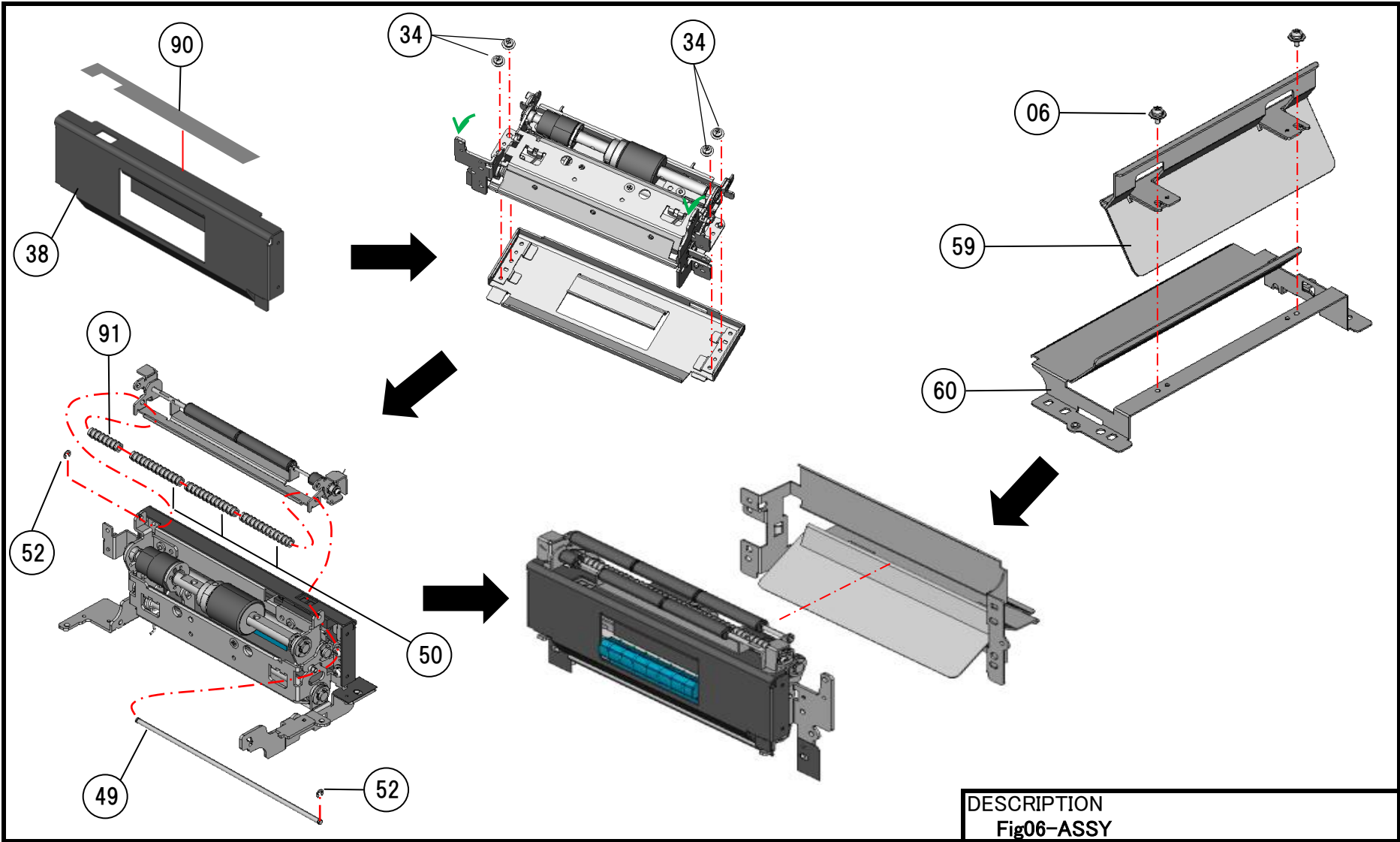


DISPENSER KIT(CL4NX) SERVICE PARTS LIST

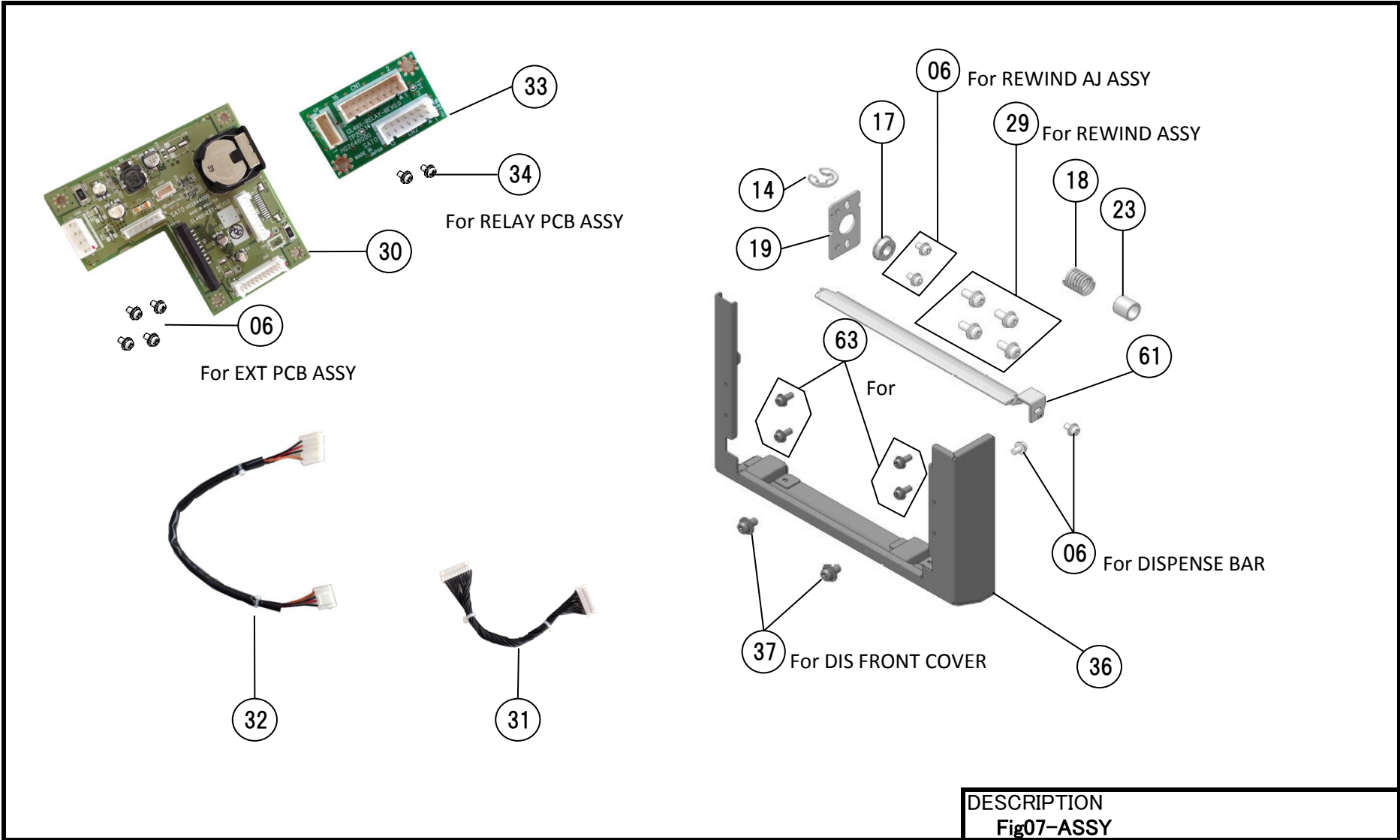


DESCRIPTION
Fig05-ASSY

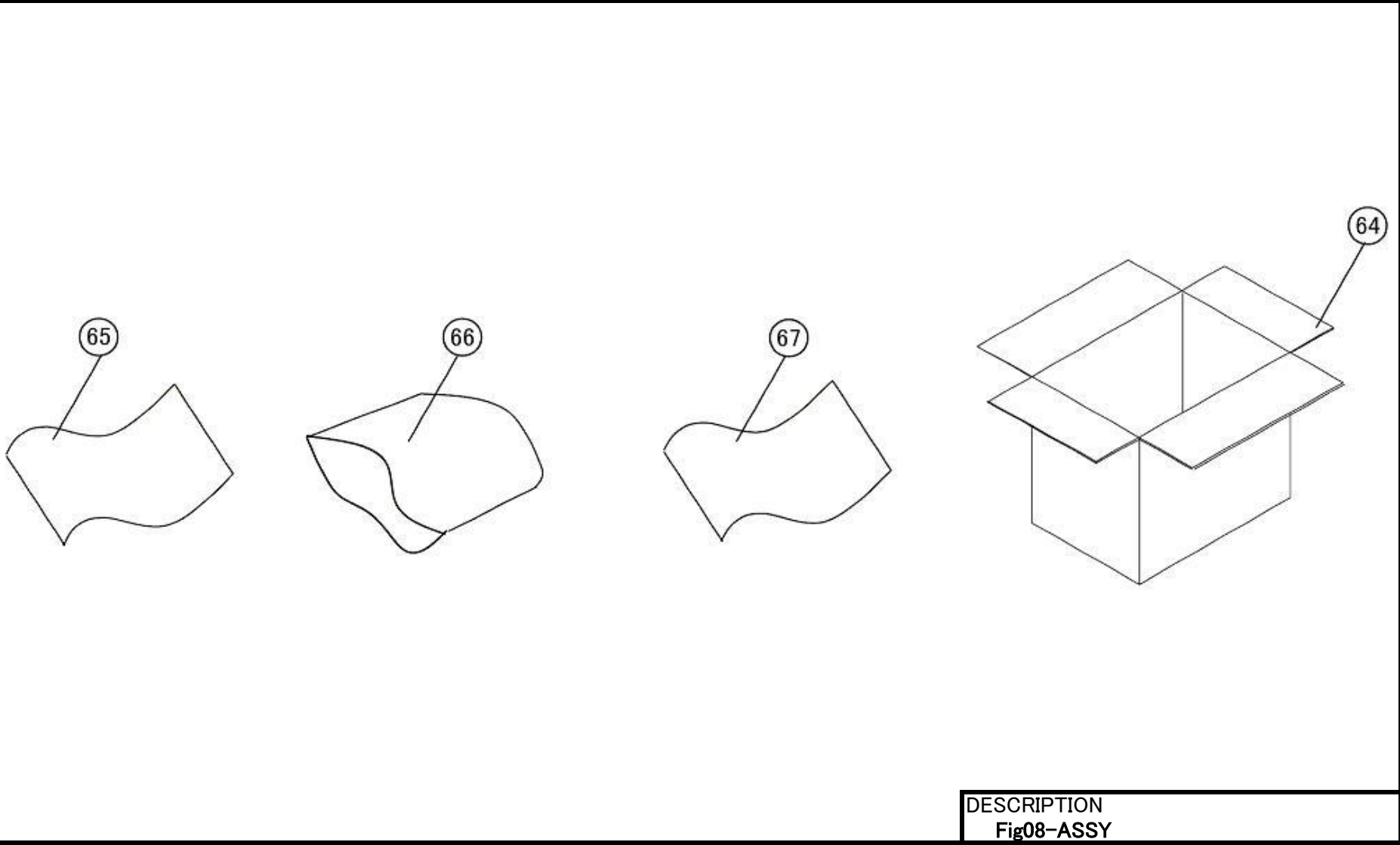
DISPENSER KIT(CL4NX) SERVICE PARTS LIST



DISPENSER KIT(CL4NX) SERVICE PARTS LIST



DISPENSER KIT(CL4NX) SERVICE PARTS LIST



DISPENSER KIT(CL4NX) SERVICE PARTS LIST

DATE: 11 Sep,2017

NO	F/C	Description	Note	NOTE
1	R29515000	REWIND FRAME SET		Fig01
2	R29514000	TENSION BR SET(DIS)		Fig01
3	P18956010	PULLEY(S2M 24)		Fig01
4	ND0040022	E SNAP RING		Fig01,2
5	P55428000	TENSION SP		Fig01
6	MD4300621	PAN HEAD SCREW+SW+WL		Fig01,2,6,7
7	P54795000	GEAR(0.5*74)		Fig02
8	P55425000	SHAFT(BOSS)		Fig01
9	MA1300622	FLAT HEAD SCREW		Fig01
10	P48833000	TIMING BELT		Fig02
11	P55424000	SHAFT(REWIND CORE)		Fig01
12	P50308000	BALL BEARING		Fig01
13	P48800000	PULLEY(S2M*82)		Fig01
14	ND0060030	E RING		Fig01,7
15	P30322000	TORQUE LIMITTER		Fig01
16	P11461000	ONEWAY CLUTCH		Fig01
17	PT1112060	BALL BEARING		Fig07
18	P55429000	REWIND SP		Fig07
19	P54778000	REWIND AJ PLATE		Fig07
20	P54793000	REWIND CORE		Fig02
21	P54794000	REWIND CORE LEVER		Fig02
23	P04726000	OILES BEARRING		Fig07
25	P54779000	LABEL GUIDE L (RW)		Fig02
26	M16208000	BIND HEAD P TIGHT SCREW		Fig02
27	P54783000	RW GEAR BR		Fig02
28	K00462000	STEPPING MOTOR		Fig02
29	MD4401021	PAN HEAD SCREW+SW+WL		Fig07
30	R28518001	CL4NX EXT PCB SET -LF		Fig07/Recommended Spare parts
31	R28824000	EXT SIGNAL CABLE SET-LF		Fig07
32	R28431000	EXT POWER CABLE SET-LF		Fig07
33	R29115000	RELAY PCB ASSY-LF		Fig07/Recommended Spare parts
34	MD3300621	PAN HEAD SCREW+SW+WS		Fig04,6,7
35	R29360000	DISPENSER CABLE SET-LF		Fig04
36	R29512000	BASE COVER SET(DIS)		Fig07
37	MD3401028	PAN HEAD SCREW+SW+WS		Fig07
38	R35863700	FRONT COVER SET(ND)		Fig06
39	R29507000	DIS FRAME R SET		Fig04
40	R29508000	DIS FRAME L SET		Fig04
41	P54769002	NIP ROLLER BR		Fig03
42	P24743000	PRESSURE ROLLER		Fig03
43	P17470000	OILESS BEARING		Fig03,4
44	ND0050030	E SNAP RING		Fig03,4
45	P55430001	NIP SPRING L		Fig03
46	P55431000	NIP SPRING R		Fig03
47	P55427000	NIP SPRING SHAFT		Fig03
48	P54771000	LOCK LEVER(DIS)		Fig03
49	P55433000	ROLLER SHAFT		Fig06
50	P11427000	SEAL GUIDE COLLAR		Fig06

52	ND0020030	E SNAP RING		Fig05,6
53	P55426000	DIS SHAFT A		Fig04
54	P55432000	DIS LEVER SP		Fig04
55	P54770000	DIS SENSOR BR		Fig04
56	F05025900	PHOTO INTERRUPTER-LF		Fig04
57	P54792000	DIS LEVER BUTTON		Fig03
58	MH0300522	PAN HEAD P TIGHT SCREW		Fig03
59	R35789700	DIS BOTTOM FRAME SET		Fig06
60	P54766000	DIS REAR FRAME		Fig06
61	P58991901	DIS PLATE		Fig07
62	P55423000	INSULATION SHEET		Fig04
63	MD4300828	PAN HEAD SCREW+SW+WL		Fig07
64	Q04031000	CARTON CASE		Fig08
65	Q00126000	AIR PACKING(500*500)		Fig08
66	Q00425000	AIR BAG		Fig08
67	Q01030000	AIR PACKING SHEET		Fig08
68	PT9691300	STEEL BALL		Fig03
69	P16869000	SPRING(LOCK)		Fig03
70	P48717000	COLLAR		Fig03
71	MA2200422	BIND HEAD SCREW		Fig03
72	P58335900	NIP ROLLER SHAFT		Fig03
73	MA7300622	TRUSS HEAD SCREW		Fig03
74	P59035900	STOPPER PLATE		Fig03
75	P59057902	SEPARATOR CUTTER		Fig03
76	P22505000	ONEWAY CLUTCH		Fig03
77	P59328000	TORQUE LIMITER		Fig03
78	R35423103	TORQUE LIMITER STOPPER SET		Fig03
79	P24911000	POLY SLIDER		Fig03
80	P46645000	DISPENSE ROLLER		Fig05
81	P59024800	ROLLER SHAFT		Fig05
82	P59013901	COLLAR BR		Fig05
83	R35732500	DISPENSE ROLLER S		Fig05
84	P57518102	DEMAND ROLLER SP L		Fig05
85	P59019901	DEMAND ROLLAR BR L		Fig05
86	P59017901	DEMAND ROLLAR BR R		Fig05
87	P57542002	DEMAND ROLLER SP R		Fig05
88	P59328100	OILES BEARING		Fig05
89	MD4200621	PAN HEAD SCREW+SW+WL		Fig05
90	P59420800	ANTISTATIC SHEET(ND)		Fig06
91	R35728400	SEAL GUIDE COLLAR (19)		Fig06