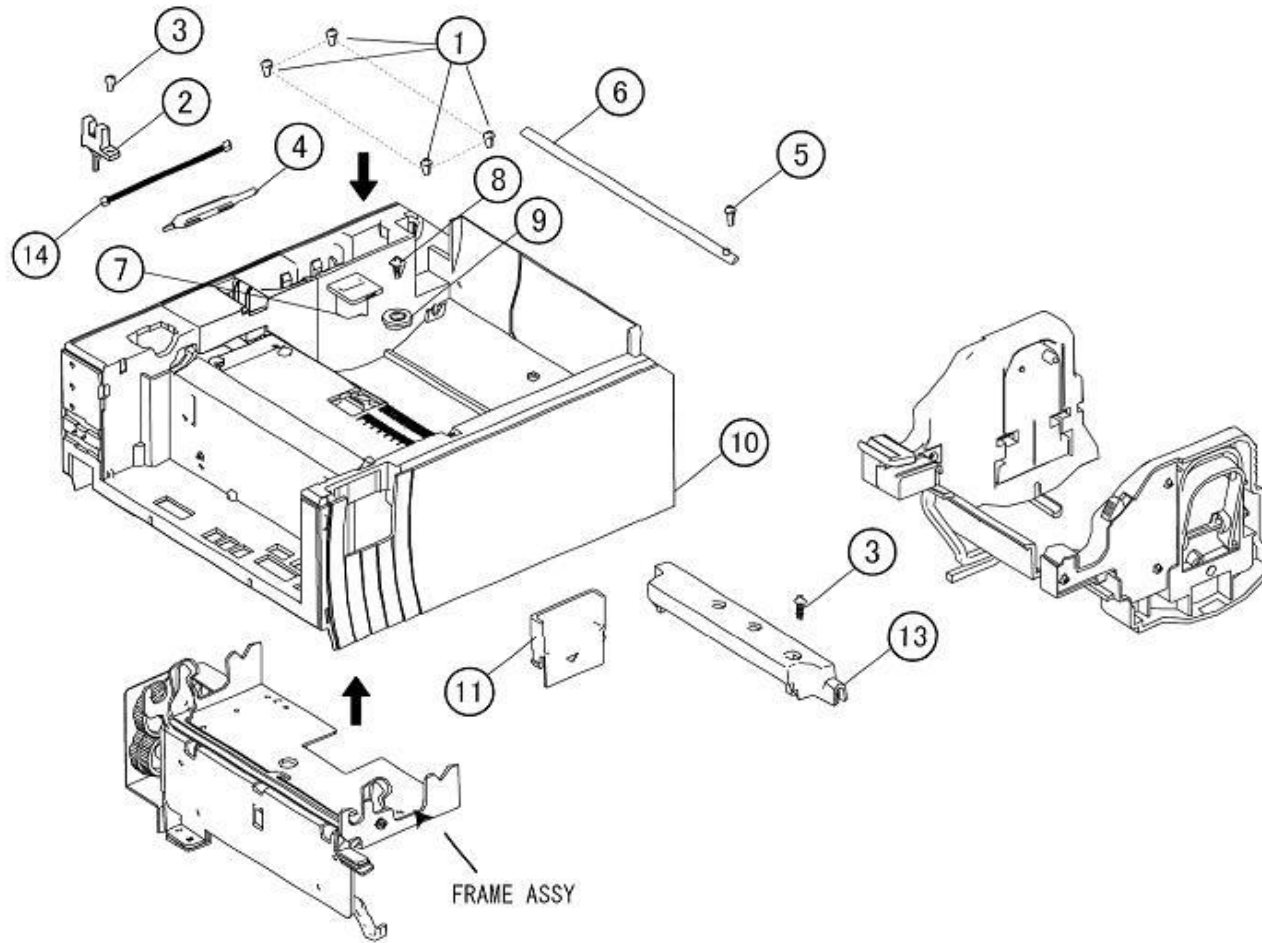


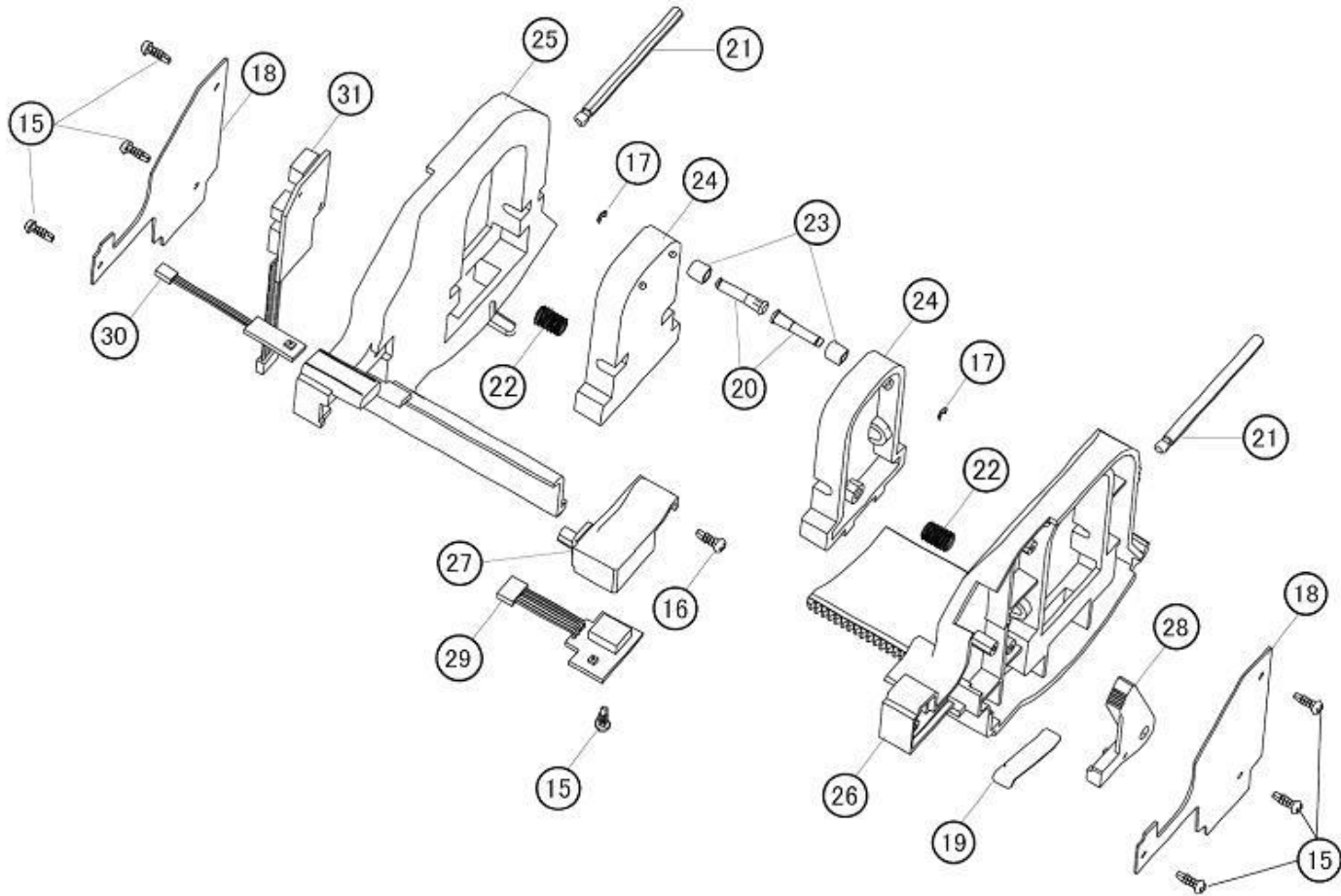
CT4XXi DT/TT SERVICE PARTS LIST



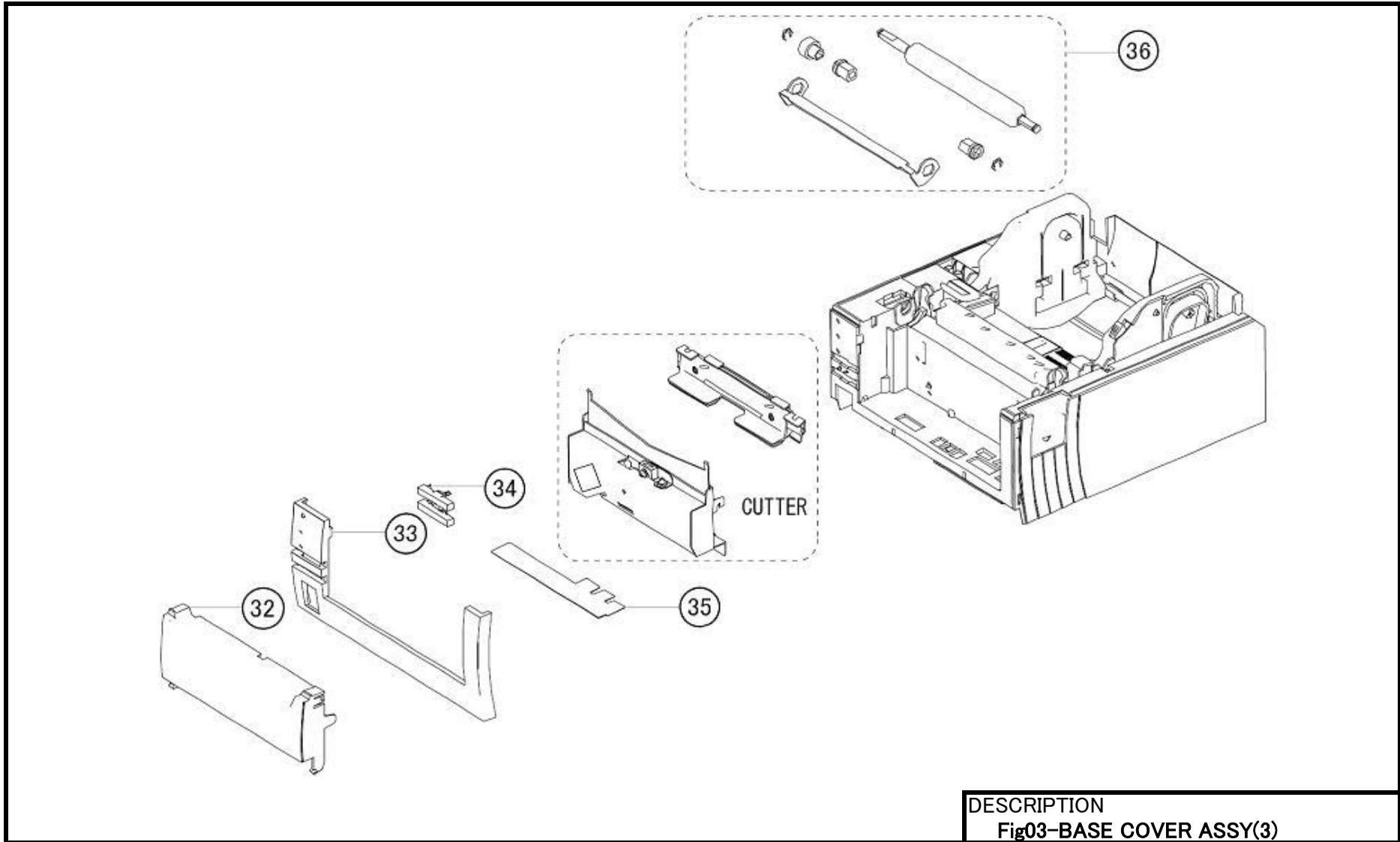
SATO CORPORATION . TOKYO. JAPAN



DESCRIPTION
Fig01-BASE COVER ASSY(1)



DESCRIPTION
Fig02-BASE COVER ASSY(2)

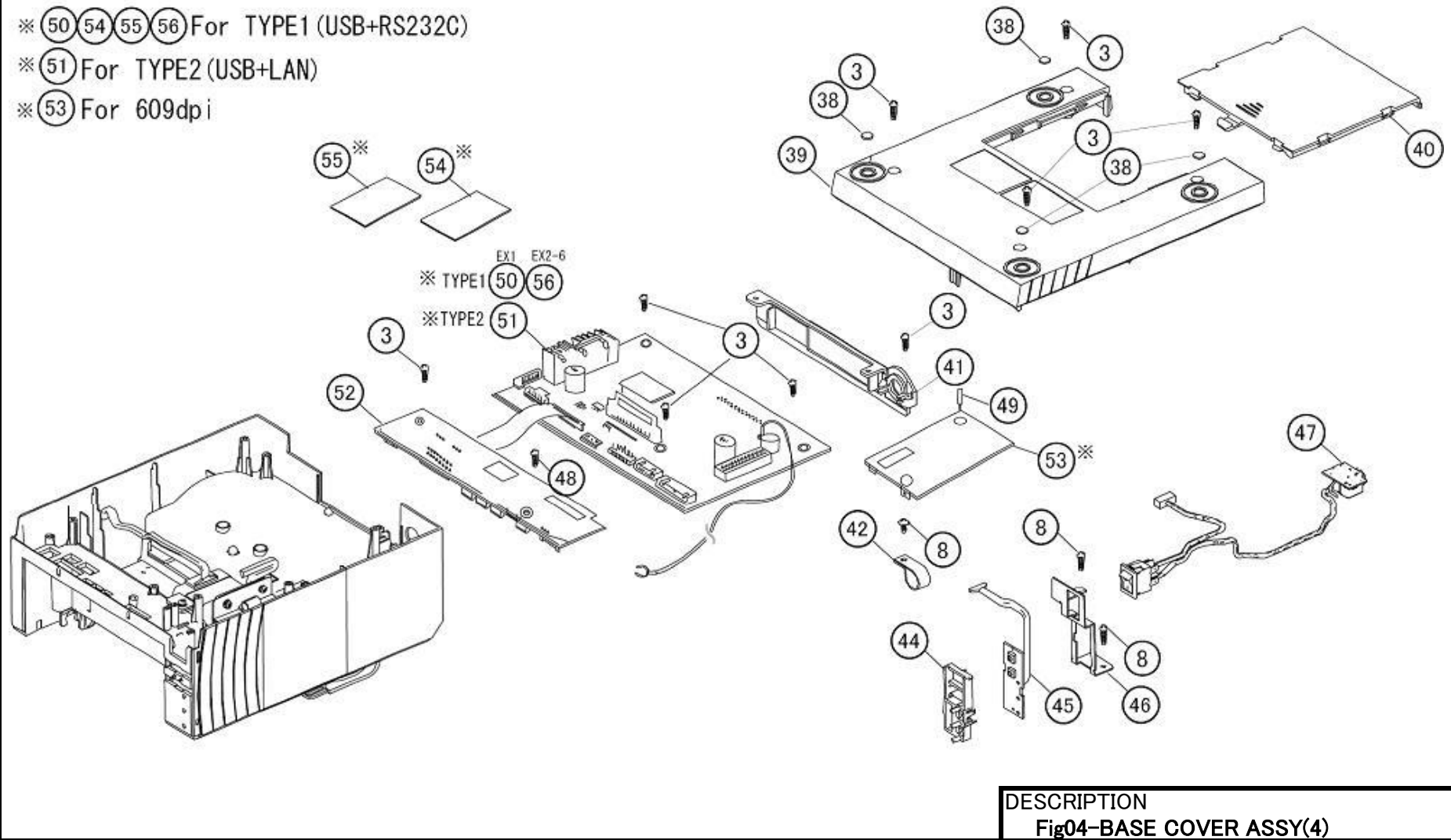


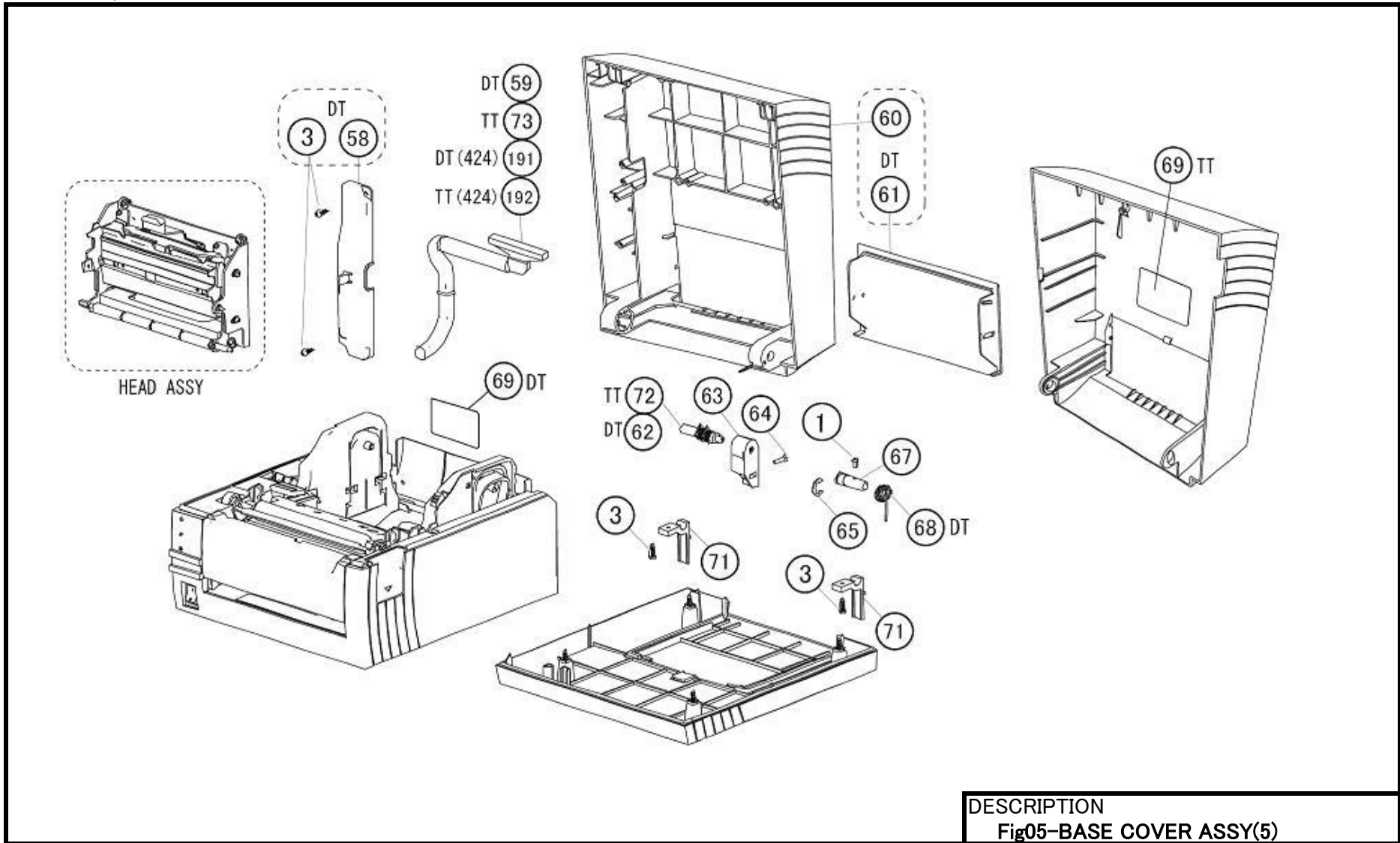
DESCRIPTION
Fig03-BASE COVER ASSY(3)

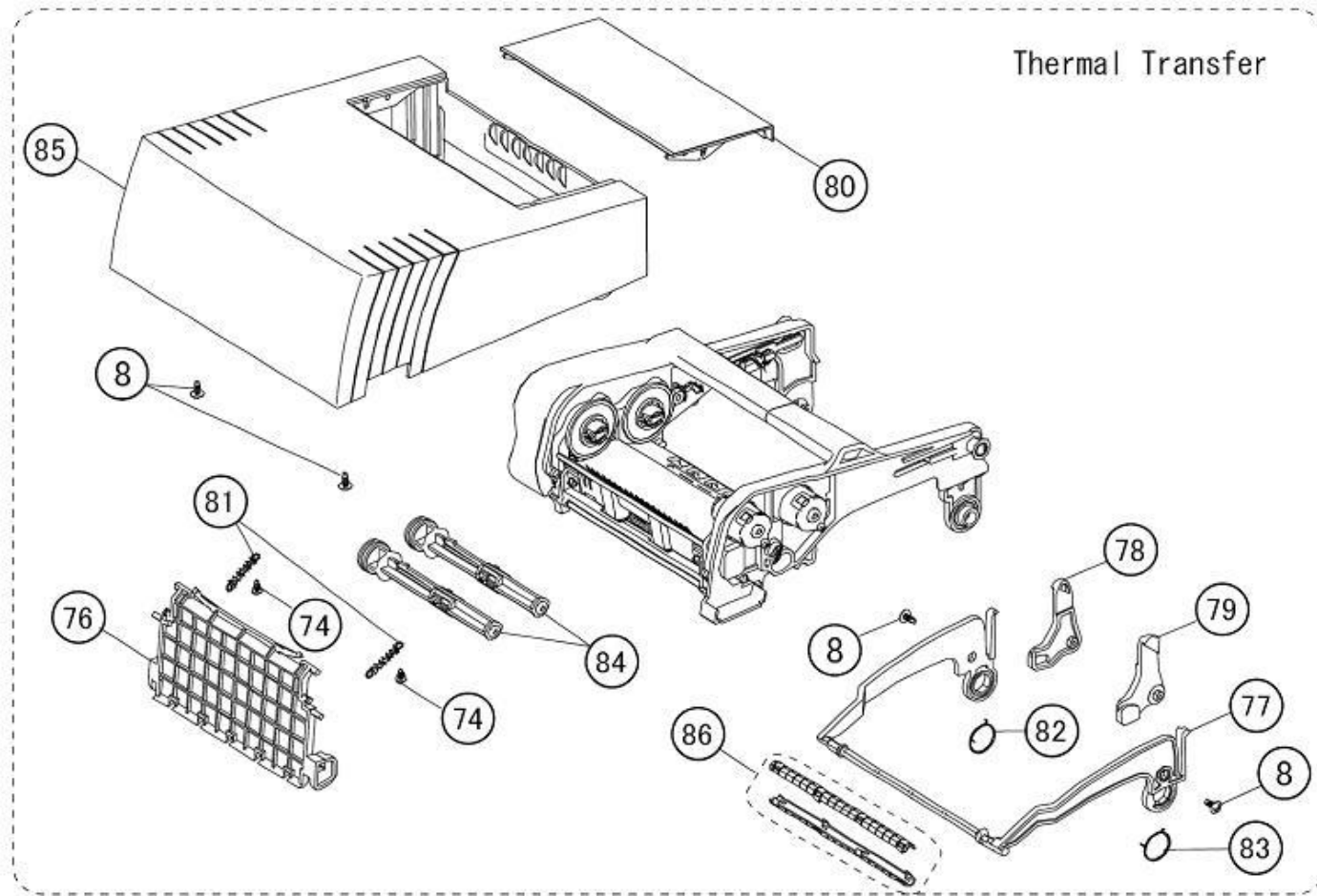
※ 50 54 55 56 For TYPE1 (USB+RS232C)

※ 51 For TYPE2 (USB+LAN)

※ 53 For 609dpi







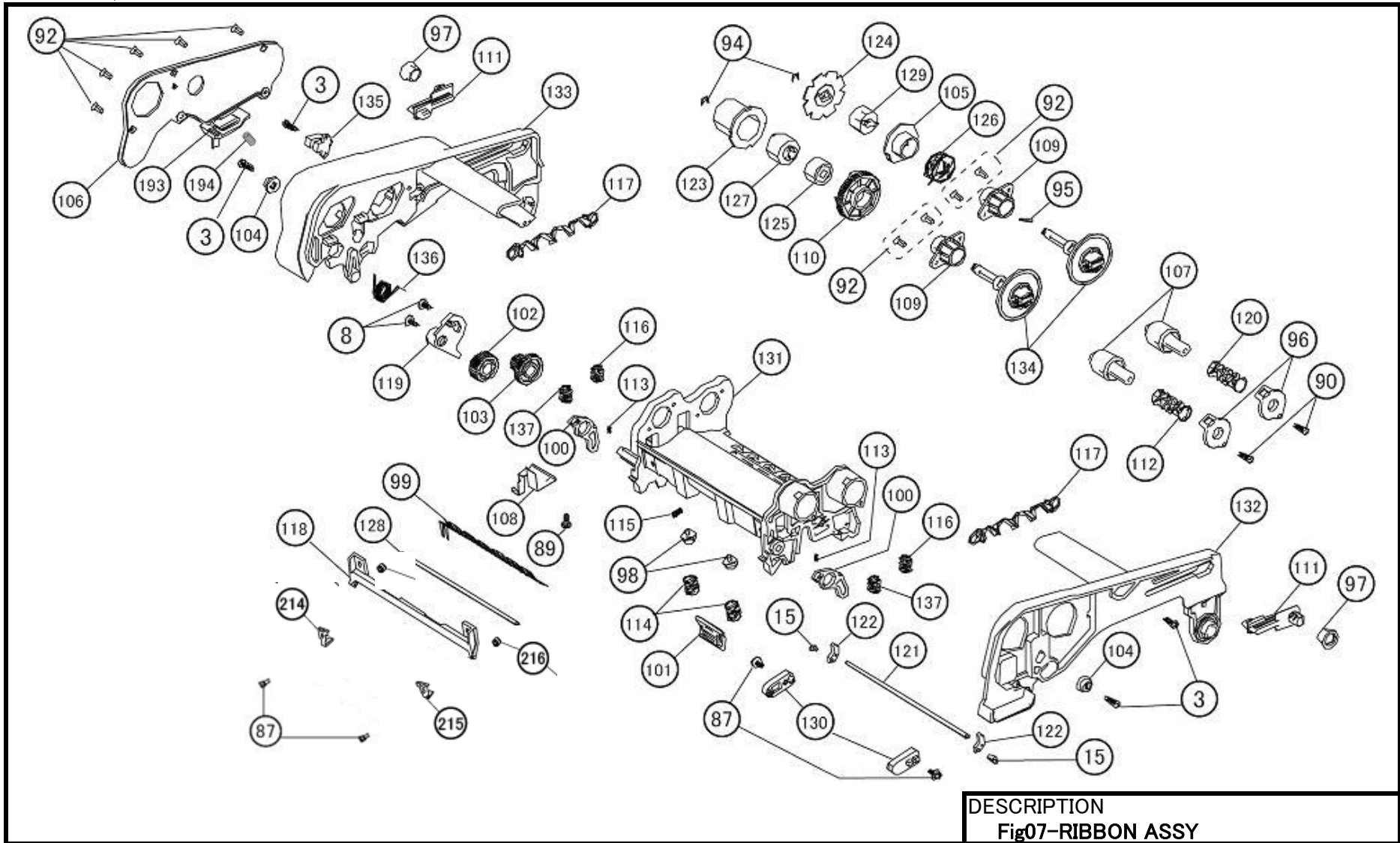
DESCRIPTION
Fig06-BASE COVER ASSY(6)

CT4XXi DT/TT SERVICE PARTS LIST

AssyName BASE COVER ASSY

	First_Code	Description	Standard	Note
1	MA0300622	PAN HEAD SCREW		
2	F00177000	PHOTO INTERRUPTER -LF		
3	MH0301022	PAN HEAD P TIGHT SCREW		
4	PE6A21900	MICRO DRIVER		
5	MA0300822	PAN HEAD SCREW		
6	P28075000	SHAFT(LABEL GUIDE)		
7	P18335010	LABEL CENTER GUIDE		
8	MH9300822	PAN HEAD P TIGHT SCREW		
9	PJ0A20500	GEAR(L.GUIDE)		
10	P26948000	BOTTOM CABINET		
11	P18339000	OPEN LEVER		
13	P10724200	RFID COVER		
14	R08352010	HEAD OPEN CABLE ASSY -LF		
15	MH0250625	PAN HEAD P TIGHT SCREW		
16	MH1300825	FLAT HEAD P TIGHT SCREW		
17	ND0025030	E SNAP RING		
18	PA2A20000	GUIDE COVER		
19	PA4A20000	PLATE SPRING (G)		
20	PB0A20500	LABEL SHAFT		
21	PB0A20600	FLAP SHAFT		
22	PC1A20100	SPRING(FLAP)		
23	PE3A20100	LABEL COLLAR		
24	P26947000	GUIDE FLAP		
25	P26946000	LABEL GUIDE(L)		
26	P26945000	LABEL GUIDE(R)		
27	PE5A21402	SENSOR COVER		
28	P18333000	GUIDE STOPPER		
29	R04681000	PITCH SENSOR-A-LF		
30	R04683000	PITCH SENSOR-B ASSY-LF		
31	R04684000	RELAY PB ASSY-LF		
32	R12102000	FRONT COVER SET		
33	R08317000	FRONT PANEL(SILK)		
34	P18330002	BUTTON		
35	PR4A20700	COVER(DSW/VOL)		
36	R04726001	PLATEN ROLLER SUB CT4XXi		
38	PE0A20000	FOOT		
39	P18324001	BOTTOM CASE		
40	P18329010	IF COVER(BOTTOM)		
41	P18334310	IF COVER (USB+RS232C)		
42	J00040000	NYLON CLAMP		
44	P18338000	LENS		
45	R04685000	CONTROL PANEL ASSY-LF		
46	PA6A20000	POWER SW.BR.		
47	R08353001	POWER CABLE ASSY -LF		

48	MH0300628	PAN HEAD P TIGHT SCREW		
49	N00013000	POST -LF		
50	R10656002	MAIN PCB EX1 USB+RS232C CT4XXi		
51	R10653002	MAIN PCB EX1-6 USB+LAN CT4XXi		
52	R10655000	SET PCB SET -LF		
53	R10866000	SUB1 PCB SET -LF		
54	R10865000	BT1 PCB SET -LF		
55	R05337011	IEEE1284 BOARD ASSY-LF		
56	R10657002	MAIN PCB EX2-6 USB + RS232C CT4XXi		
58	P18331000	COVER(CABLE)		
59	R12092000	HEAD CABLE ASSY-LF		
60	R12788000	TOP CABINET(SILK)DT		
61	P18325000	COVER(UW)		
62	R04731020	SHAFT(HINGE L)		
63	R08331000	CLUTCH(HINGE)		
64	M16247000	FLAT HEAD P-TAP SCREW		
65	ND0070022	E SNAP RING		
67	P10302010	SHAFT (HINGE R)		
68	P12748010	SPRING (DAMPER)		
69	Q02072000	STICKER(ROUTE)		
71	P10723200	HOLDER(HINGE SHAFT)		
72	R09760000	SHAFT(HINGE L)		
73	R12094000	HEAD CABLE ASSY(R) -LF		
74	MH0300622	BIND P TIGHT SCREW		
76	P19950030	COVER HOOK(ST)		
77	P19955031	SWING ARM		
78	P20127002	SWING STOPPER LH		
79	P20129002	SWING STOPPER RH		
80	P20135001	COVER(UW)		
81	P20350000	SPRING(COVER HOOK)		
82	P20356010	TORSION SPRING LH		
83	P20357010	TORSION SPRING RH		
84	R09763000	CORE ADAPTER ASSY		
85	R12103010	TOP CABINET TT SA		
86	R10191000	LABEL ROLLER SA		
191	R11925001	HEAD CABLE ASSY(24R) -LF		
192	R11927000	HEAD CABLE ASSY -LF		

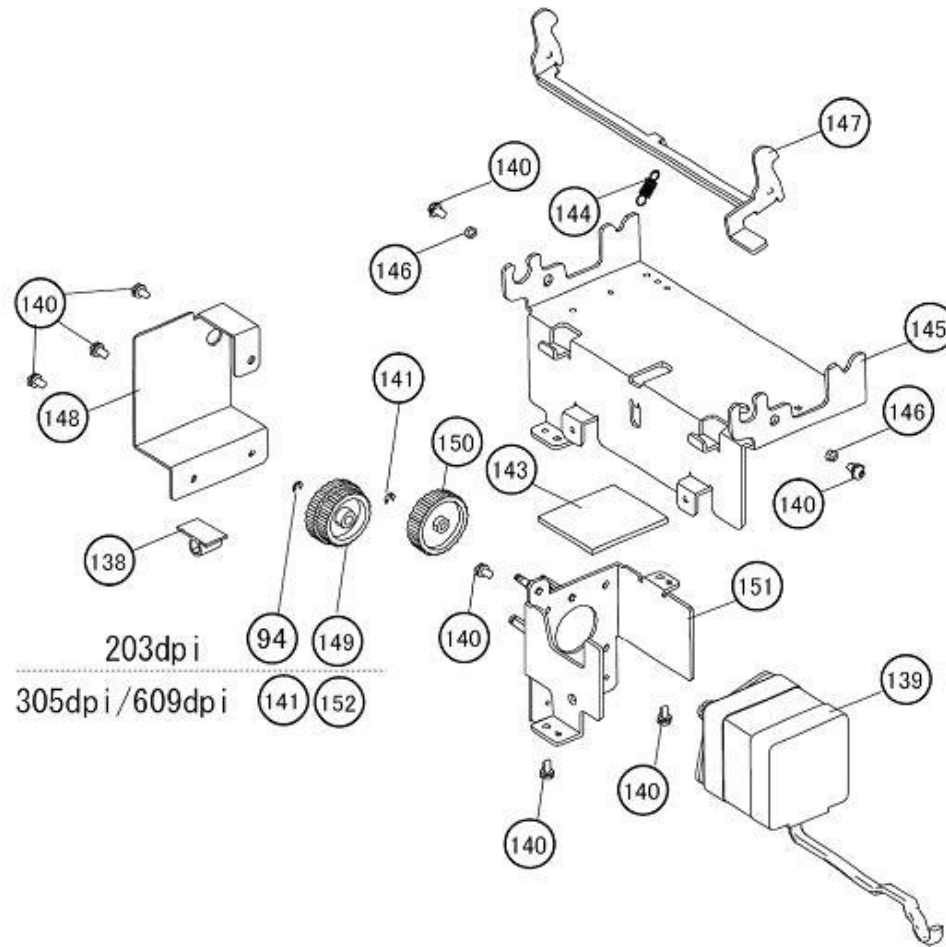


CT4XXi DT/TT SERVICE PARTS LIST

AssyName RIBBON ASSY

	First_Code	Description	Standard	Note
8	MH9300822	PAN HEAD P TIGHT SCREW		
87	MD4300825	PAN HEAD SCREW+SW+WL		
89	MH0300622	PAN HEAD P TIGHT SCREW		
90	M16221000	BIND HEAD P TIGHT SCREW		
92	MH1300822	FLAT HEAD P TIGHT SCREW		
94	ND0030022	E RING 3		
95	NG3161230	SPRING PIN		
96	P19948001	CAP		
97	P19953001	ROLLER		
98	P19957001	SPRING GUIDE		
99	P19959010	ANTI STATIC PLATE		
100	P19961001	BACKUP PLATE		
101	P19962010	HEAD HOOK		
102	P19967000	GEAR A(Z36)		
103	P19968000	GEAR B(Z20/40)		
104	P19971000	STOPPER(FRAME)		
105	P19973002	TORSION GUIDE		
106	P19974030	COVER(FRAME LH)		
107	P20110003	CORE GUIDE		
108	P20114003	FG PLATE		
109	P20116002	BUSHING		
110	P20117000	GEAR C(Z64)		
111	P20130000	SLIDER		
112	P20333000	SPRING(CORE GUIDE W)		
113	P20334000	SPRING(BACKUP)		
114	P20337000	SPRING(HEAD)		
115	P20340000	SPRING(HEAD HOOK)		
116	P20345000	SPRING(RIBBON ASSY)		
117	P20355000	SPRING(COVER)		
118	P21590020	SHAFT HOLDER		
119	P21596010	STOPPER(GEAR)		
120	P21695000	SPRING(CORE GUIDE S)		
121	P22352000	RIBBON SHAFT(REAR)		
122	P22386000	HOLDER(R-SHAFT REAR)		
123	P22403000	COVER(TORQUE LIMITER)		
124	P22422000	SENSOR PLATE		
125	P22505000	ONEWAY CLUTCH		
126	P29125000	TORSION SPRING		
127	P22581000	TORQUE LIMITER		
128	PB0A22601	FRONT SHAFT		
129	PT9A20600	TORQUE LIMITER		
130	R09453001	HEAD ADJUSTER SET		
131	R09456030	RIBBON FRAME SET		
132	R12467000	FRAME RH SET		

133	R12469001	FRAME LH SET		
134	R09800000	RIBBON SHAFT ASSY		
135	R09935000	RIBBON END SENSOR ASSY -LF		
136	P22812000	SPRING(GEAR STOPPER)		
137	P25315000	SPRING(FRONT)		
193	P25347000	SENSOR RIB (COVER OPEN)		
194	P20340000	SPRING (HEAD HOOK)		
196	P25106000	TORQUE LIMITER FOR GL DISPENSER		
197	MD4300622	PAN HEAD SCREW		
214	P33836000	Spring plate RH		
215	P34982000	Spring plate LH		
216	P33841000	Spacer		

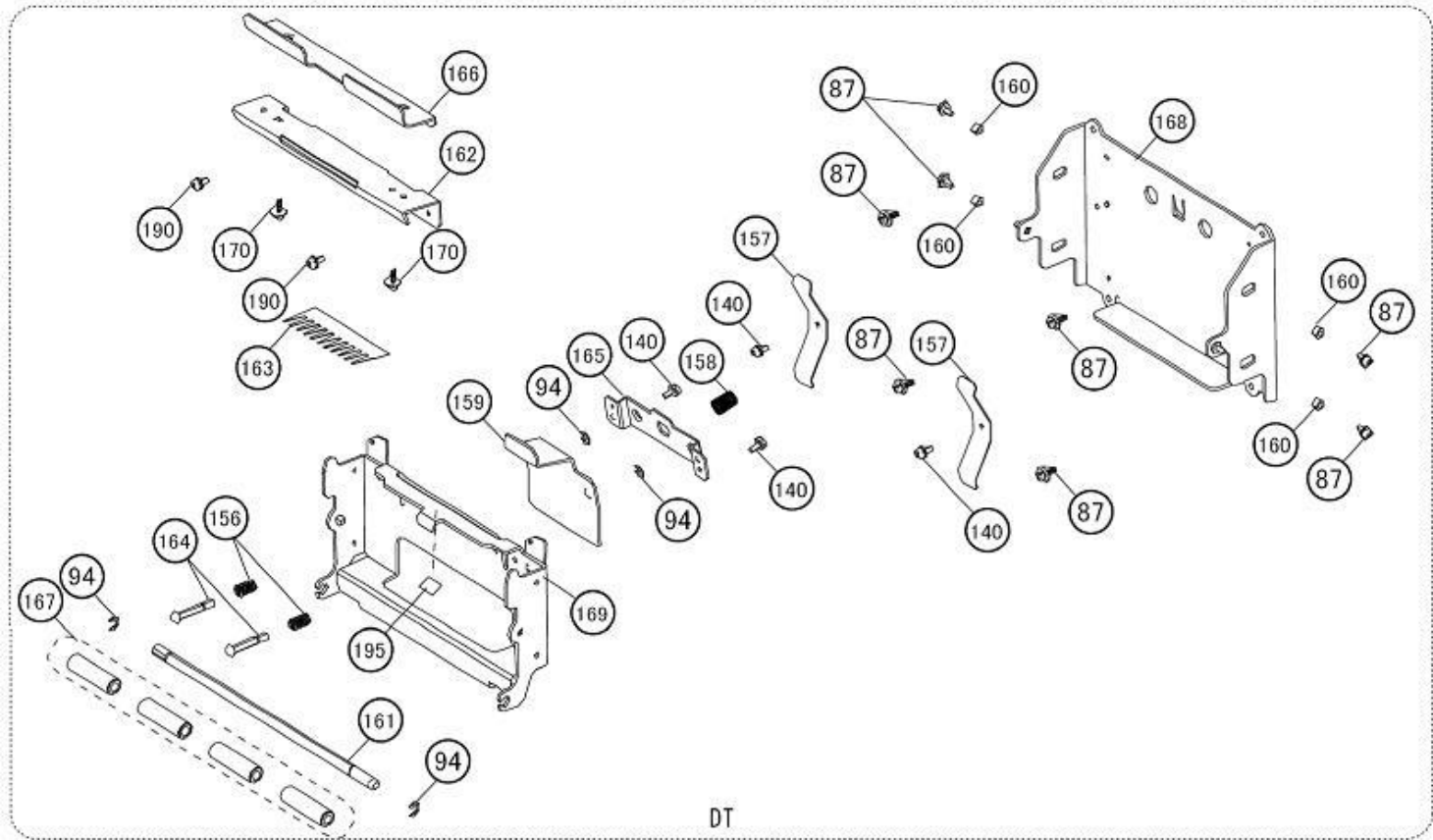


DESCRIPTION
Fig08-FRAME ASSY

CT4XXi DT/TT SERVICE PARTS LIST

AssyName FRAME ASSY

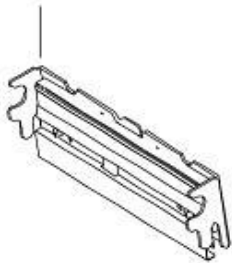
	First_Code	Description	Standard	Note
94	ND0030022	E RING 3		
138	JG100541A	CKN CLAMP		
139	K00081000	STEPPING MOTOR		
140	MD3300622	PAN HEAD SCREW+SW+WS		
141	ND0020030	E-SNAP RING		
143	P02367000	HEAT CONDUCTION PAD		
144	P10261010	SPRING (HEAD LOCK)		
145	P18341000	ENGINE FRAME		
146	P14224000	COLLAR (HEAD LOCK)		
147	P10713010	HEAD LOCK ARM		
148	PA3A20300	HEAT SINK (MOTOR)		
149	PJ0A20301	DOUBLE GEAR (8)		
150	PJ0A20401	IDLE GEAR		
151	PR1A20002	MOTOR PLATE SET		
152	PJ0A20101	DOUBLE GEAR (12)		



DT:Direct Thermal
TT:Thermal Transfer

TT (173) (174) (175)

DT (171) (172) (176)

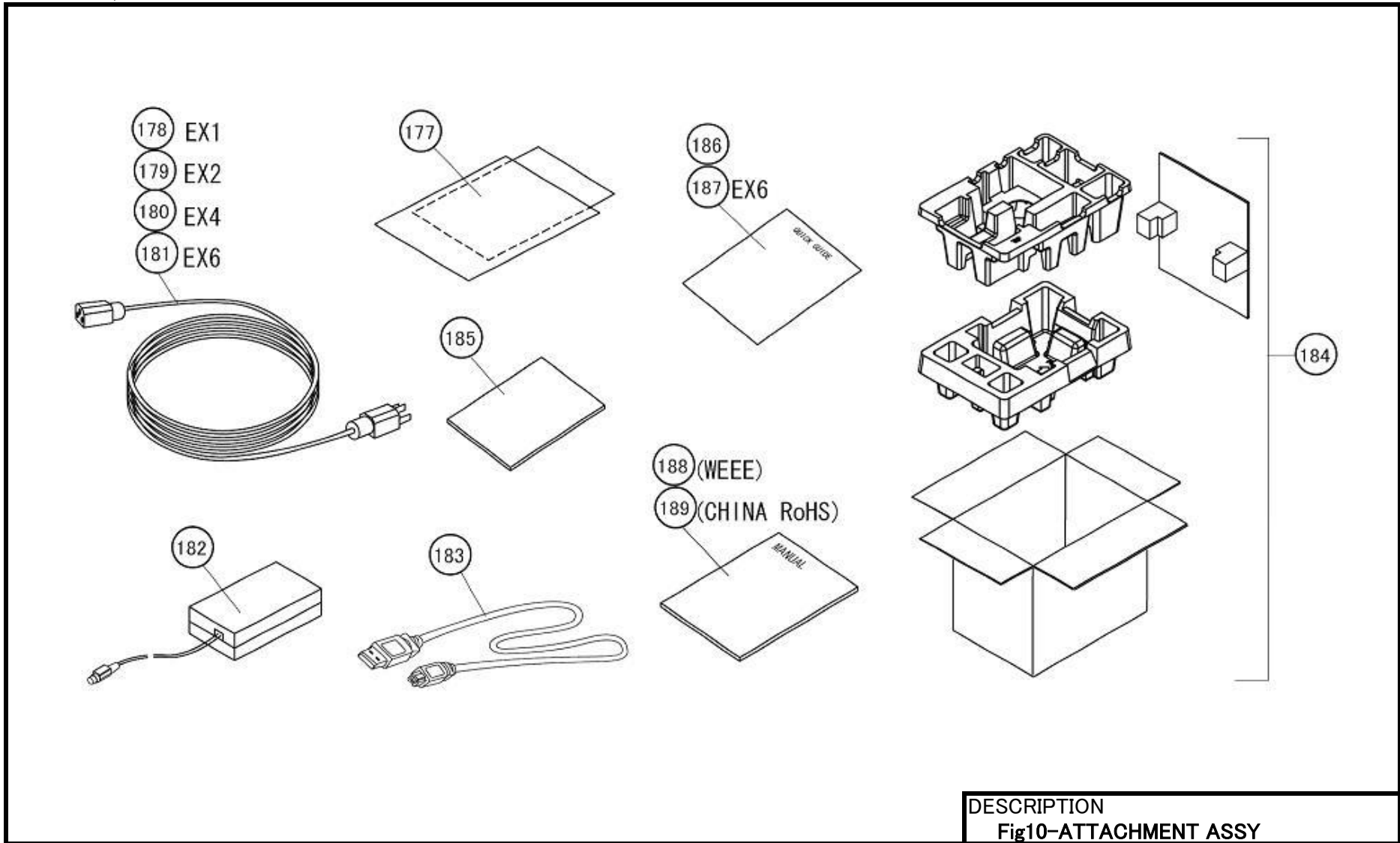


DESCRIPTION
Fig09-HEAD ASSY

CT4XXi DT/TT SERVICE PARTS LIST

AssyName HEAD ASSY

	First_Code	Description	Standard	Note
87	MD4300825	PAN HEAD SCREW+SW+WL		
94	ND0030022	E RING 3		
140	MD3300622	PAN HEAD SCREW+SW+WS		
156	P10260000	SPRING (HEAD)		
157	P10262000	PLATE SPRING (HEAD)		
158	P10264000	SPRING (LEVER)		
159	P18890000	RELEASE LEVER		
160	P10281000	COLLAR (3.1*5*3)		
161	P10282000	SHAFT (TURN ROLLER)		
162	P10284001	CUTTER STAY		
163	P10285000	ANTI STATIC SHEET		
164	P10299000	SHAFT (H.PRESSURE)		
165	P10715000	P SHAFT BR		
166	P15922200	FRONT LABEL GUIDE		
167	PE3A20000	TURN ROLLER(5.10*6*29)		
168	R04268000	HEAD TOP BR SET		
169	R04269310	HEAD BR SET		
170	MD0260522	PAN SCREW+SW		
171	R04733100	PRINT HEAD (8) CT408iDT		
172	R08329100	PRINT HEAD (12) CT412iDT		
173	R10168000	PRINT HEAD (8) CT408iTT		
174	R10169000	PRINT HEAD (12) CT412iTT		
175	R10170000	PRINT HEAD (24) CT424iTT		
176	R12108000	PRINT HEAD (24) CT424iDT		
190	MD4300825	PAN HEAD SCREW+SW+WL		
195	P28065000	SPACER SHEET		

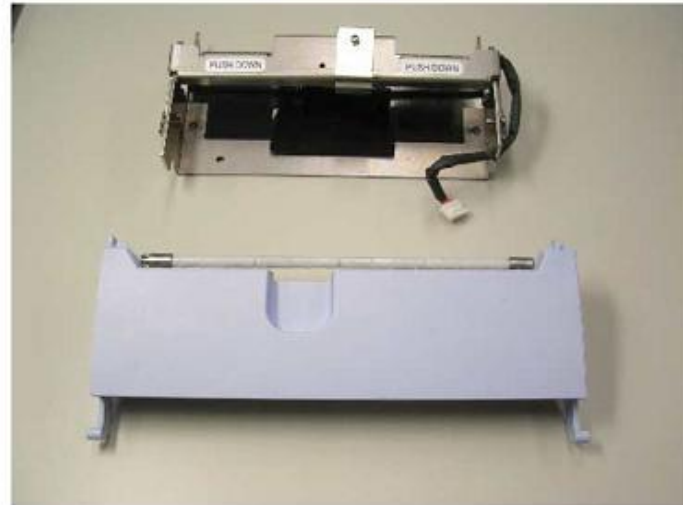


CT4XXi DT/TT SERVICE PARTS LIST

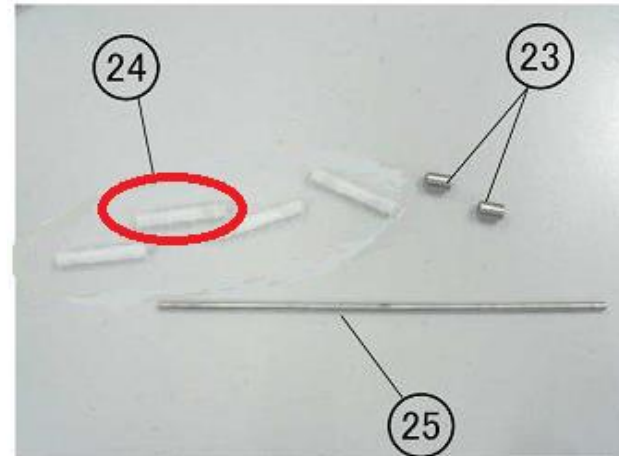
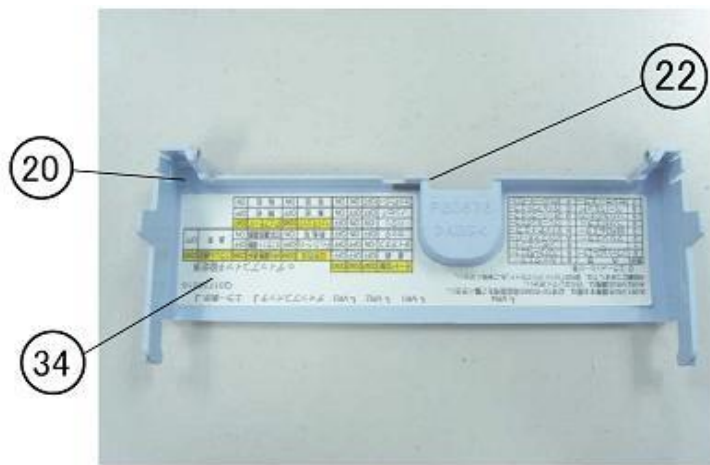
AssyName ATTACHMENT ASSY

	First_Code	Description	Standard	Note
177	Q00029000	LAPPING SHEET SET(4W)		
178	JH000441A	AC CABLE(1-)		
179	JH000451A	AC POWER CODE ASSY		
180	H00364001	POWER CODE		
181	H01563000	POWER CORD-LF		
182	K00550302	AC ADAPTER-LF SATO LOGO CT4i RWG500		SEG. 8.Apr.2016. K00159000 => K00389000 on 2007. 'SEG. 12.June.2020. K00389000 => K00550302 on 2018.
183	R12198000	USB CABLE -LF		
184	Q02231000	PACKING SET		
185	QC6A22600	SAFETY MANUAL		
186	Q02073000	QUICK GUIDE		
187	Q02084000	QUICK GUIDE(K)		
188	Q01646000	MANUAL(WEEE)		
189	Q02021000	MANUAL(CHINA RoHS)		

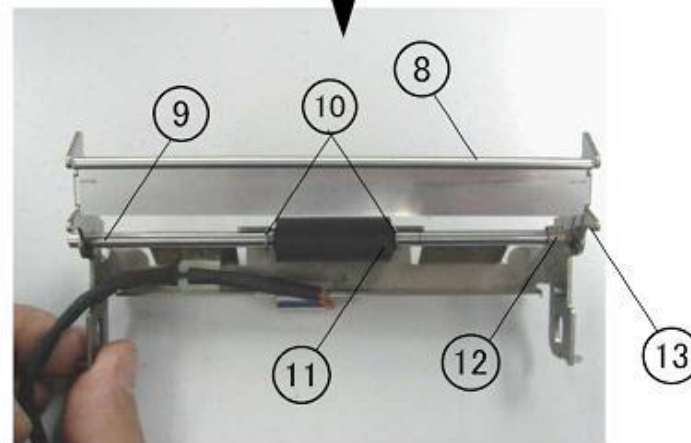
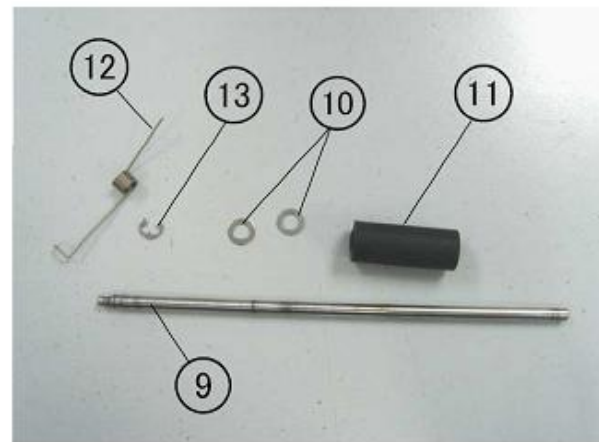
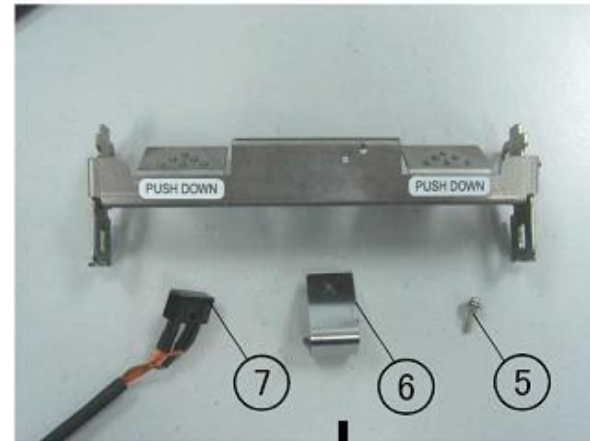
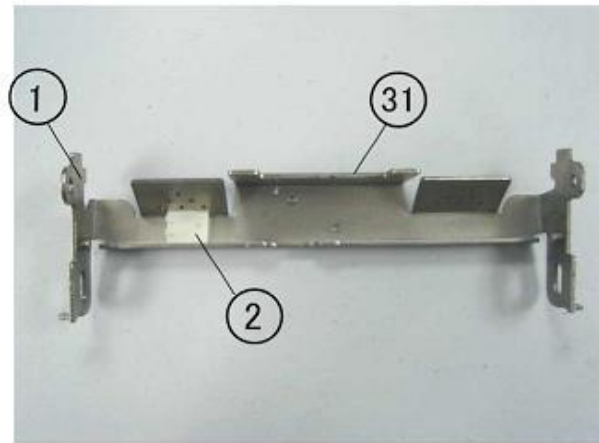
CT4XXi DISPENSER KIT SERVICE PARTS LIST



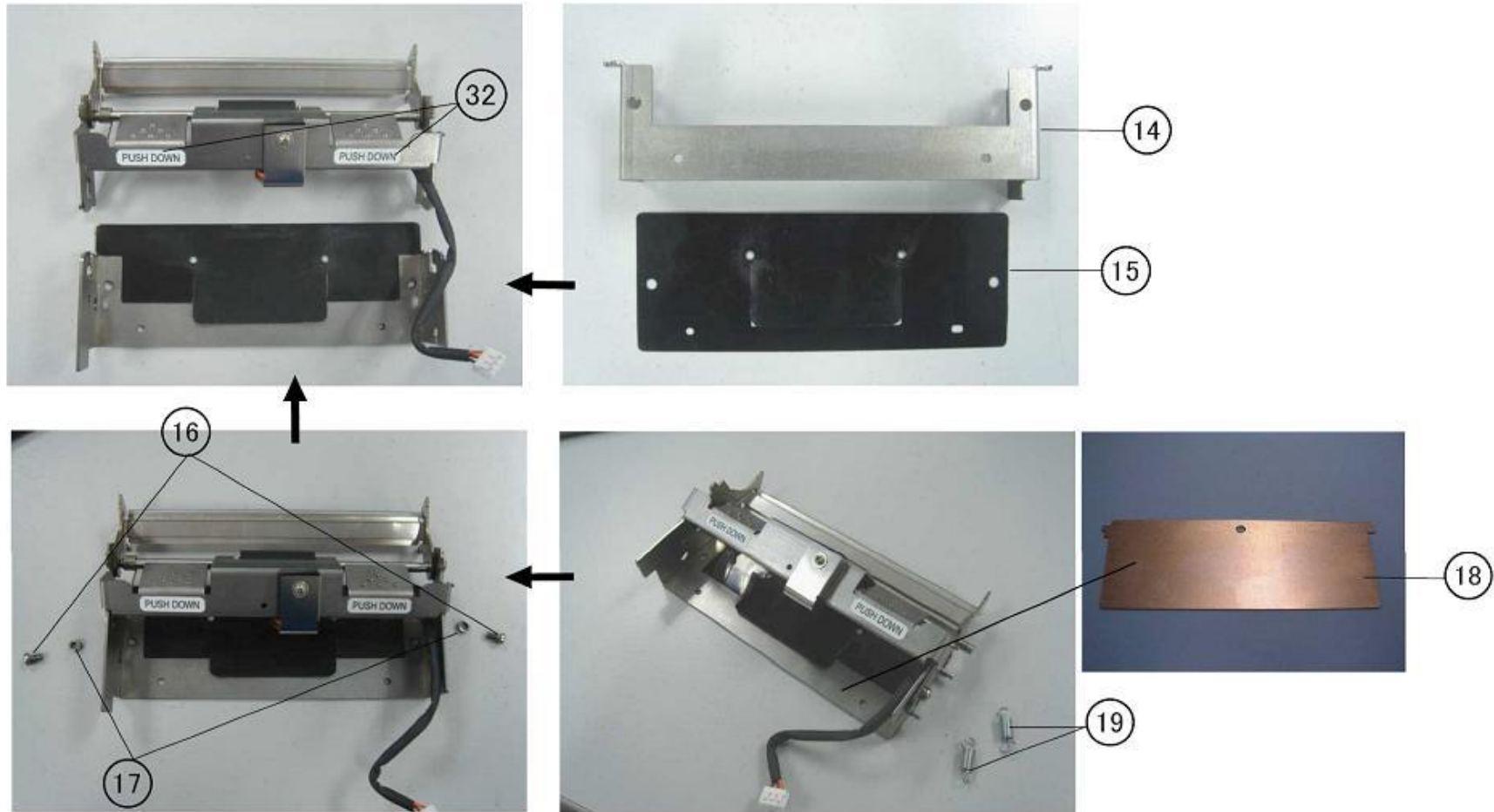
Create Date:



DESCRIPTION
Fig01-ASSY(1)



DESCRIPTION
Fig02-ASSY(2)



DESCRIPTION
Fig03-ASSY(3)



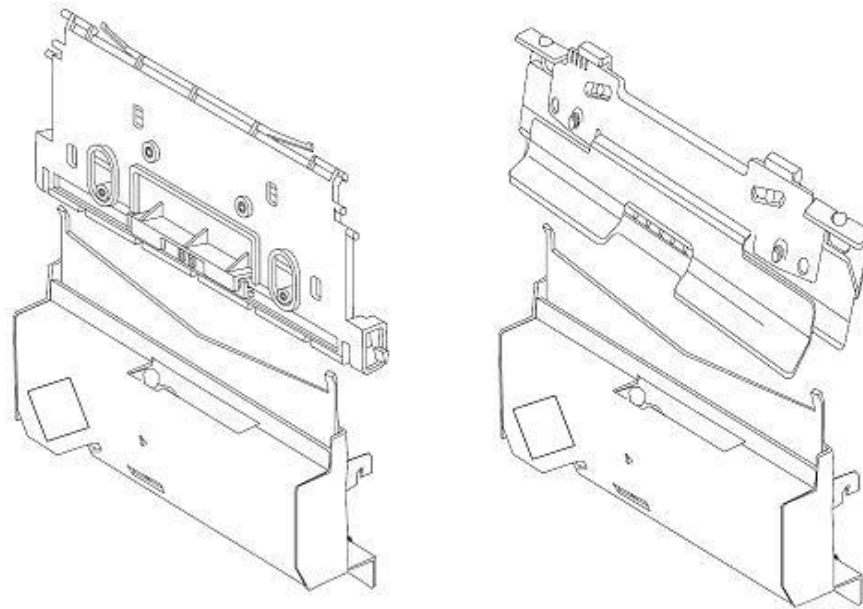
DESCRIPTION Fig04-ASSY(4)

CT4XXi DISPENSER KIT SERVICE PARTS LIST

AssyName

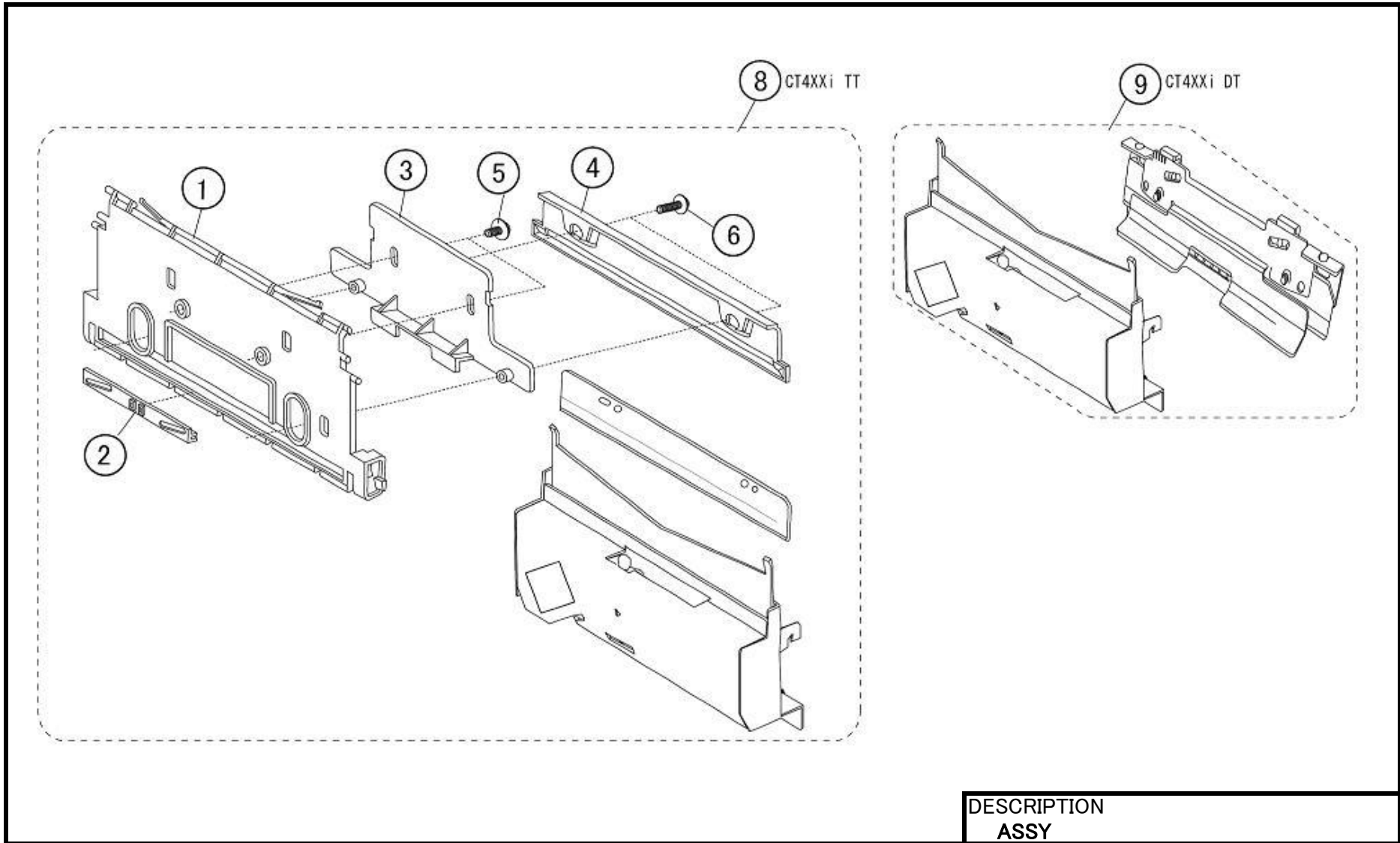
	First_Code	Description	Standard	Note
1	R09959031	DISPENSER BR.SET		
2	JG100531A	MINI CLAMP		
5	MD4200822	PAN HEAD SCREW+SW+WL		
6	P23616000	SENSOR COVER(DIS)		
7	RF0A20004	DISPENSER ASSY -LF		
8	R10691020	DP SUPPORT BR SET		
9	P22026010	DP ROLLER SHAFT		
10	NA1040022	PLAIN WASHER		
11	P24061010	DP ROLLER		
12	P23691001	TORSION SPRING LH		
13	ND0025030	E SNAP RING		
14	P22059020	DISPENSER BASE BR.		
15	P24072000	SEPARATOR GUIDE		
16	MD0300622	PAN HEAD SCREW		
17	PB2A20300	COLLAR(3*5*2.3)		
18	PA2A20310	DISPENSER GUIDE PL		
19	P22182000	SPRING(DISPENSER)		
20	P20676010	FRONT COVER(OPTION)		
22	P24039000	SHEET(DP)		
23	P23687010	COLLAR(2.6*5.3*7.6)		
24	PE3520600	DISPENSE ROLLER		SEG ammeded figure 2016.1.8
25	P23688000	LABEL HOLD SHAFT		
26	ND0020030	E SNAP RING		
27	QA0A20301	P.CASE(OPTION)		
28	Q02011000	AIR PACKING(500*250)		
29	Q00005000	POLY BAG		
31	P24043000	NON-STICK SHEET(DP)		
32	Q01760010	PUSH STICKER		
33	MD3300822	PAN HEAD SCREW+SW+WS		
34	Q02411000	SW TABLE STICKER(OP)		

CT4XXi CUTTER KIT SERVICE PARTS LIST



Create Date:

SATO CORPORATION . TOKYO. JAPAN



CT4XXi CUTTER KIT SERVICE PARTS LIST

AssyName

	First_Code	Description	Standard	Note
1	R11416010	COVER HOOK(CUTTER)SA		
2	P20139002	ADJUSTER		
3	R09455010	SLIDER(CUTTER) SET		
4	P19949002	CUTTER COVER		
5	MD4300825	PAN HEAD SCREW+SW+WL		
6	MD4301222	PAN HEAD SCREW+SW+WL		
8	R10895020	CUTTER KIT(R)		
9	R12510000	CUTTER KIT(T)		

