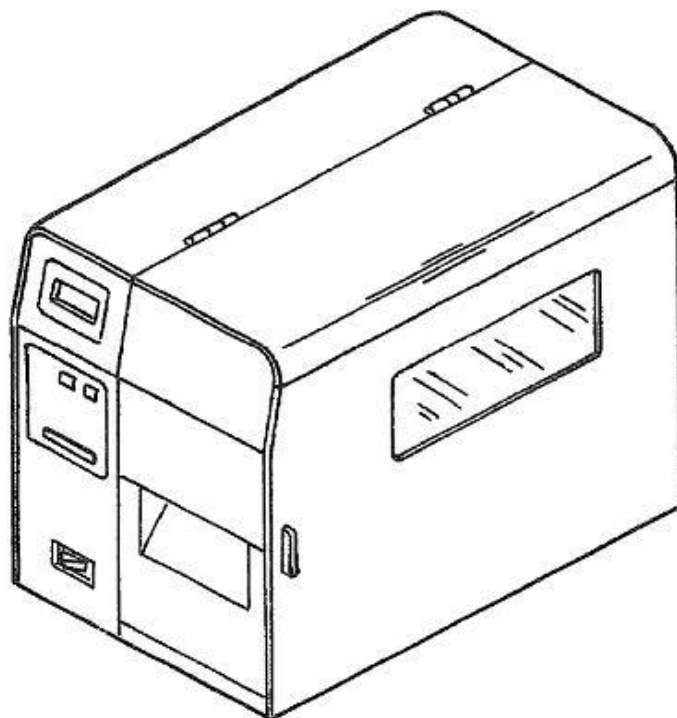


DATE: 9 Feb, 2018



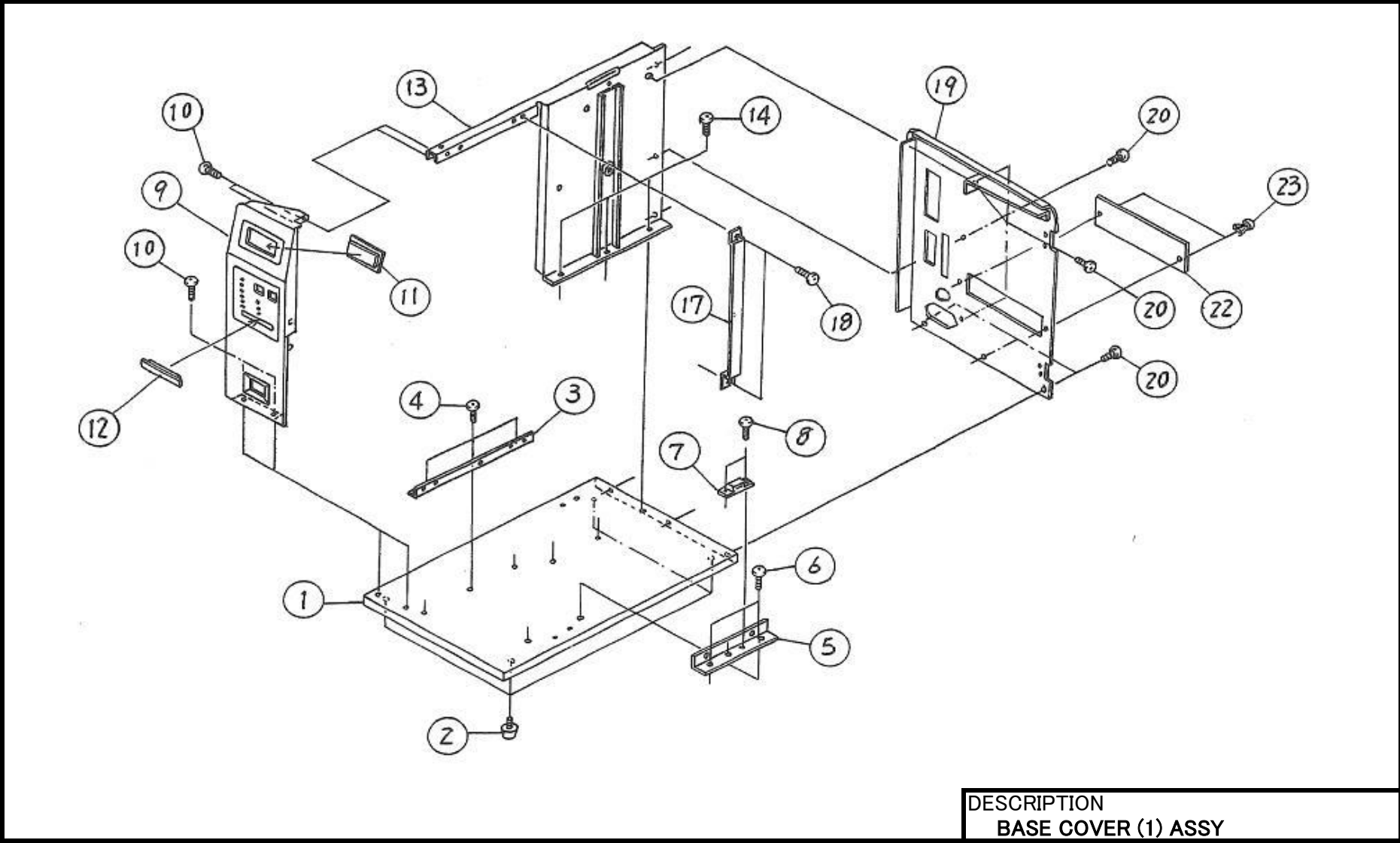
M-84Pro SERVICE PARTS LIST

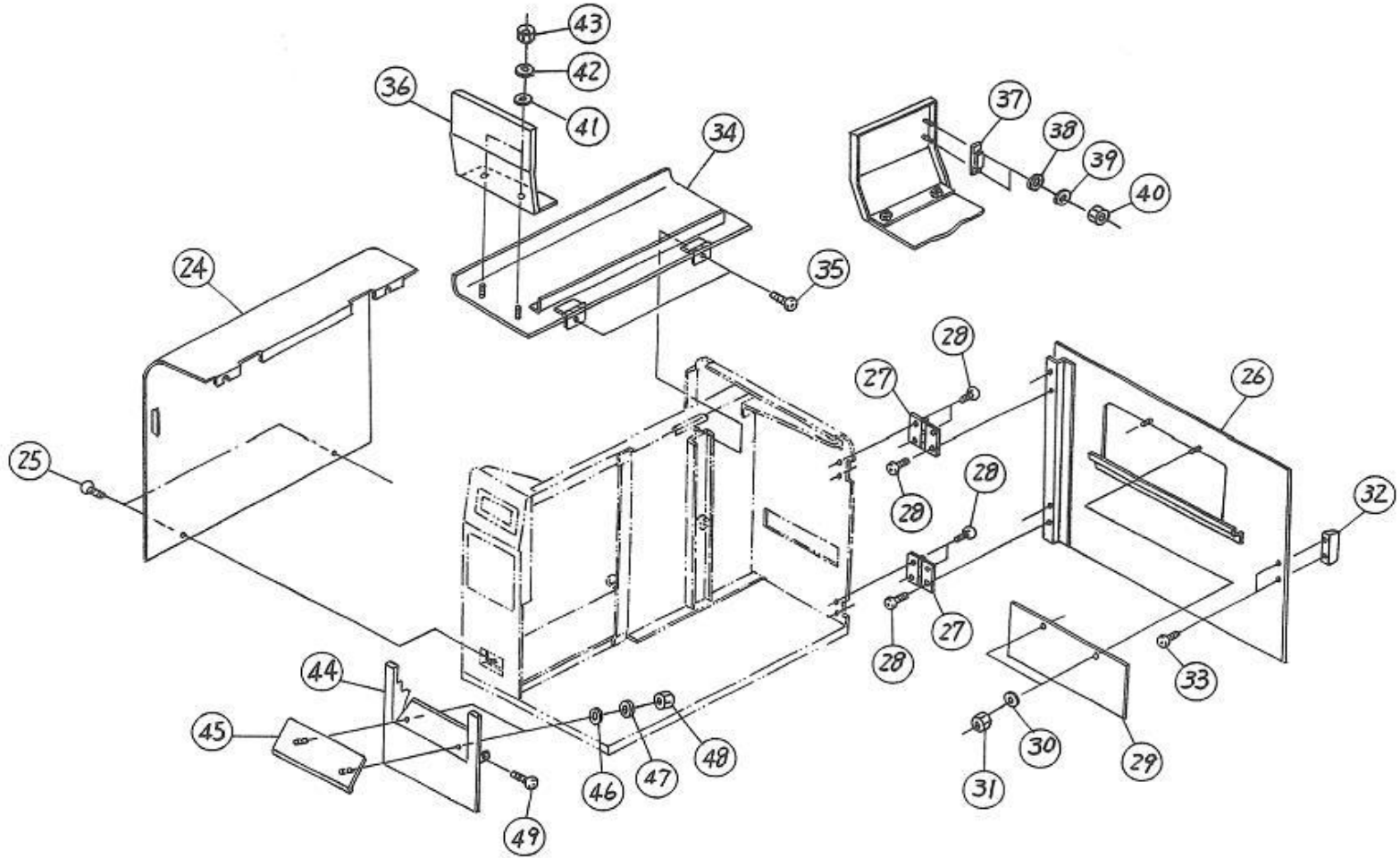


Create Date:

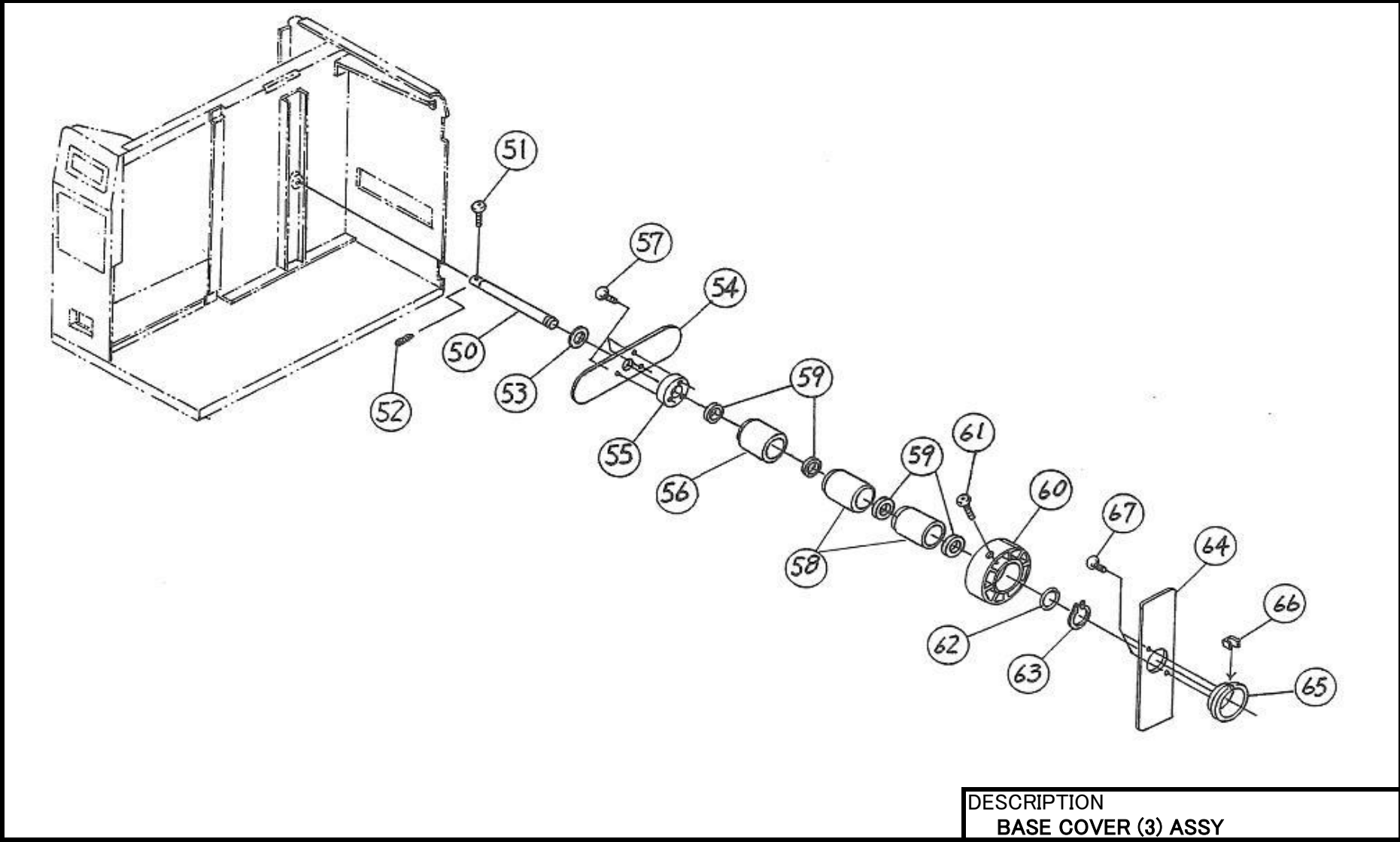
WM842001
WWM842001(RV06-406
RV05-121

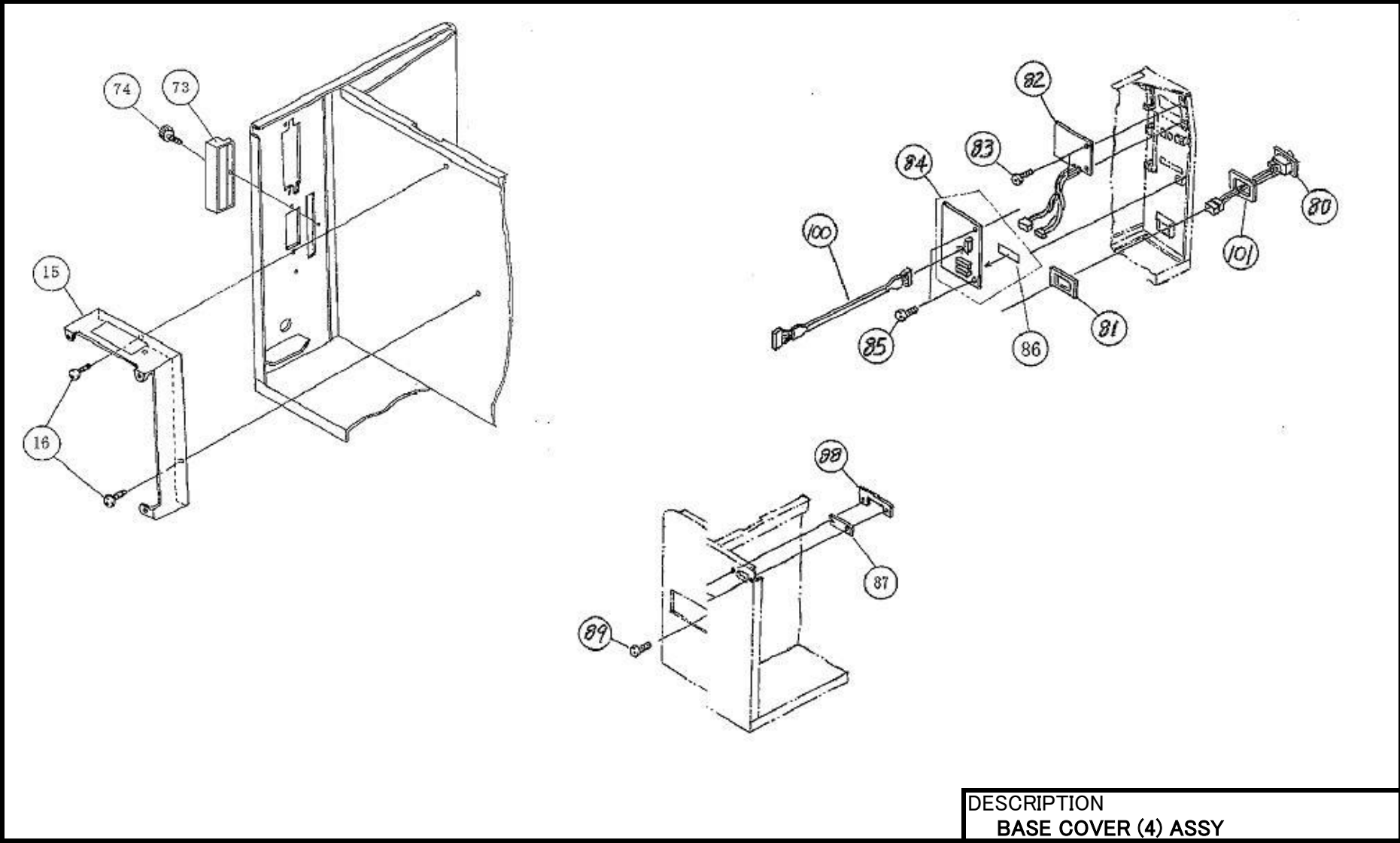
SATO CORPORATION . TOKYO. JAPAN

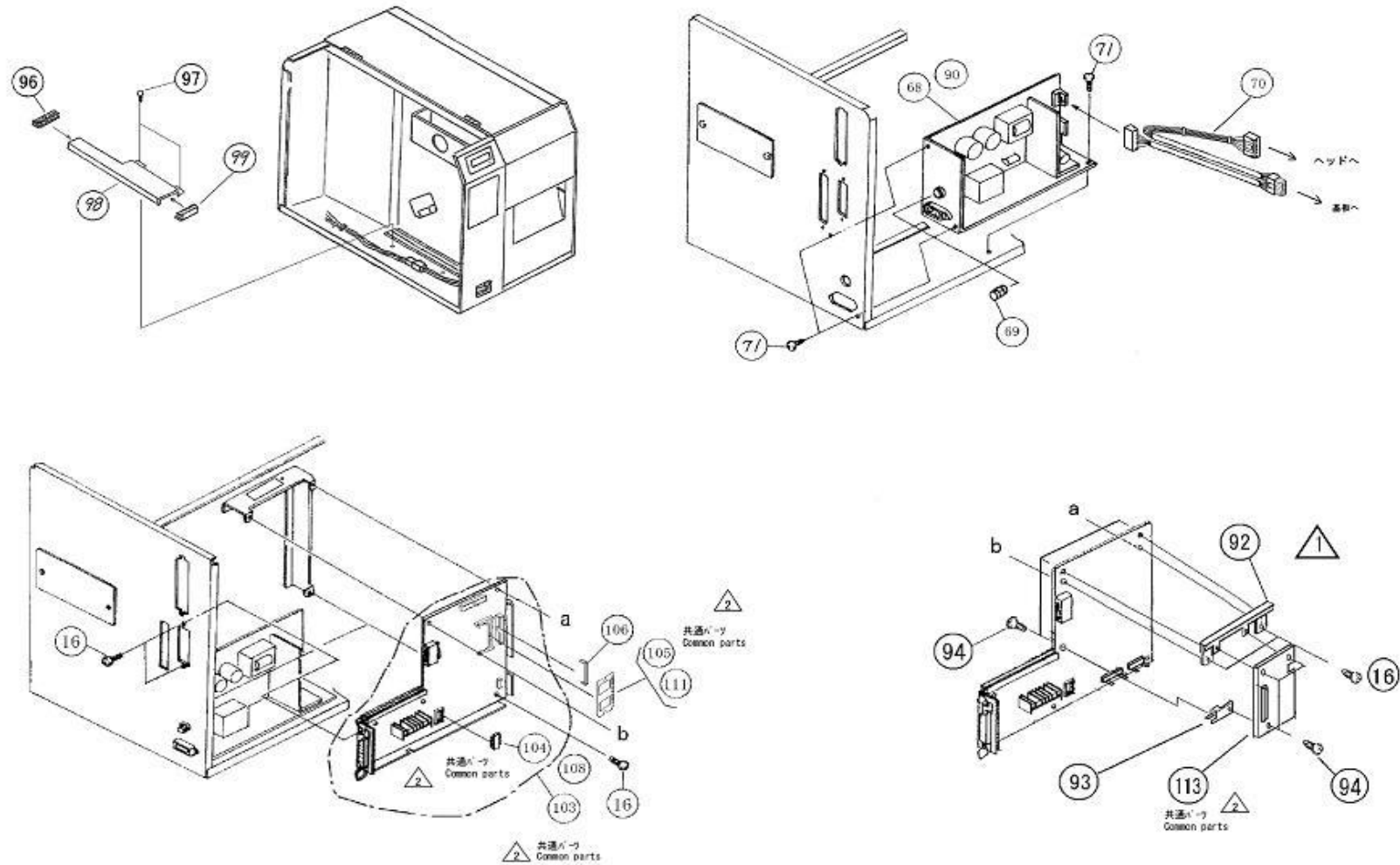




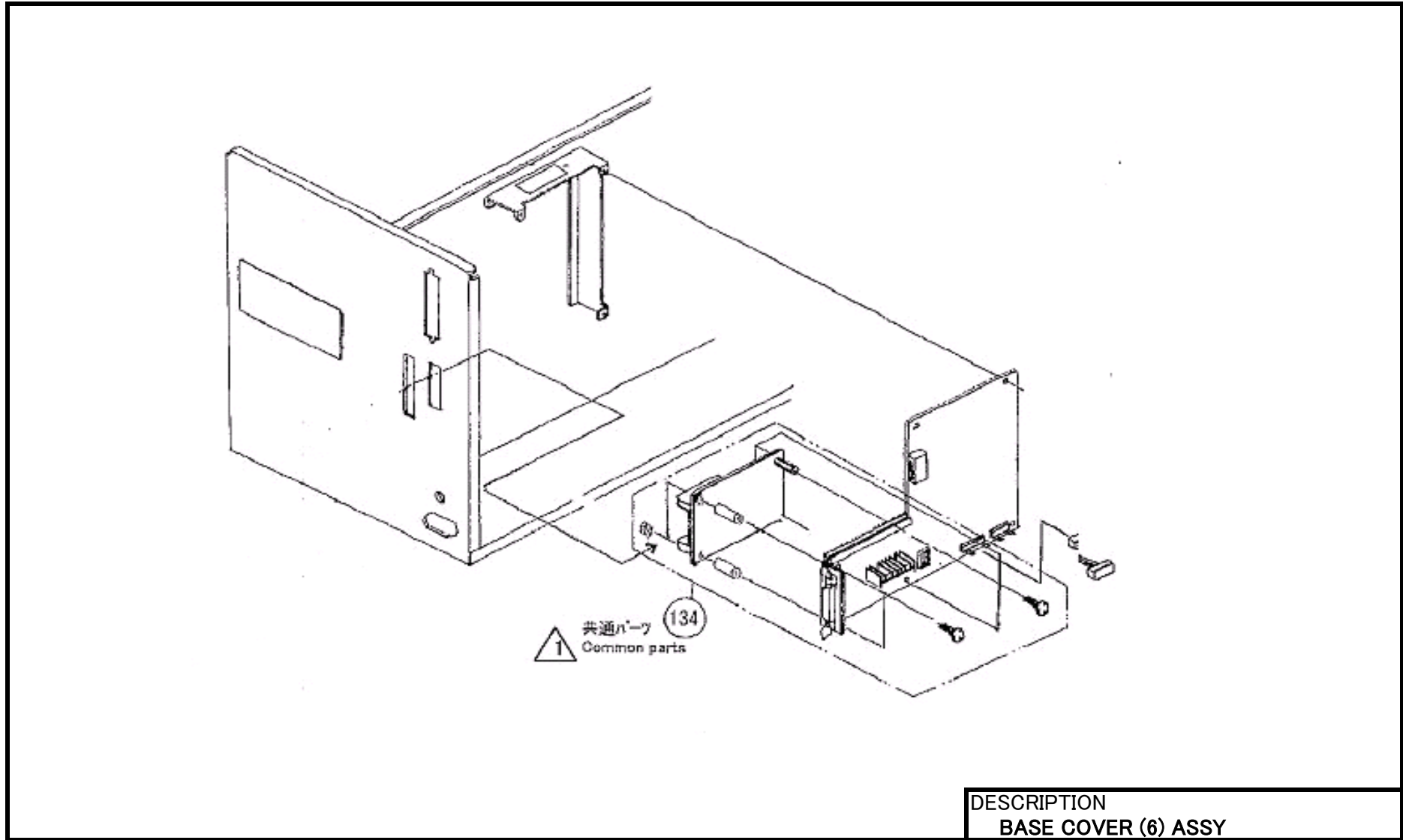
DESCRIPTION
BASE COVER (2) ASSY







DESCRIPTION
BASE COVER (5) ASSY



M-84Pro SERVICE PARTS LIST

AssyName BASE COVER ASSY

R00898010

	First_Code	Description	Standard	NOTE
1	P02513010	BASE FRAME		
2	PT6680100	CASE LEG		
3	PA3741000	FRAME BRACKET		
4	MD4301022	PAN HEAD SCREW+SW+WL		
5	PA3742500	FRAME BRACKET		
6	MD4301022	PAN HEAD SCREW+SW+WL		
7	PT9689000	MAGNET CATCHER		
8	MD4301022	PAN HEAD SCREW+SW+WL		
9	R00900020	COVER(FRONT)		
10	MD4401022	PAN HEAD SCREW+SW+WL		
11	PE1680200	PROTECTOR		
12	PE6740300	DIP SW COVER		
13	P02515000	CENTER FRAME		
14	MD4401022	PAN HEAD SCREW+SW+WL		
15	PA1775400	PCB BRACKET		
16	MD4300622	PAN HEAD SCREW+SW+WL		
17	P02516000	CENTER FRAME SUB(A)		
18	MD4300622	PAN HEAD SCREW+SW+WL		
19	R00901010	COVER(REAR)SET		
20	MD4300622	PAN HEAD SCREW+SW+WL		
22	P02517000	LID		
23	PT9520100	NYLON RIVET		
24	P02518010	COVER(LH)		
25	MD4300822	PAN HEAD SCREW+SW+WL		
26	P02519000	COVER(RH)		
27	PT3681200	HINGE		
28	MD4300822	PAN HEAD SCREW+SW+WL		
29	PH2680000	WINDOW		
30	NA1030022	PLAIN WASHER		
31	MT1300522	HEXAGON NUT		
32	PE1680300	HANDLE		
33	MH0300821	PAN HEAD P TIGHT SCREW		
34	P02520000	COVER(TOP)		
35	MD4300822	PAN HEAD SCREW+SW+WL		
36	R01106000	COVER(TOP SUB)		
37	PT9689000	MAGNET CATCHER		
38	NA1030022	PLAIN WASHER		
39	NB0030022	SPRING WASHER		
40	MT1300522	HEXAGON NUT		
41	NA1030022	PLAIN WASHER		
42	NB0030022	SPRING WASHER		
43	MT1300522	HEXAGON NUT		

M-84Pro SERVICE PARTS LIST

AssyName BASE COVER ASSY

R00898010

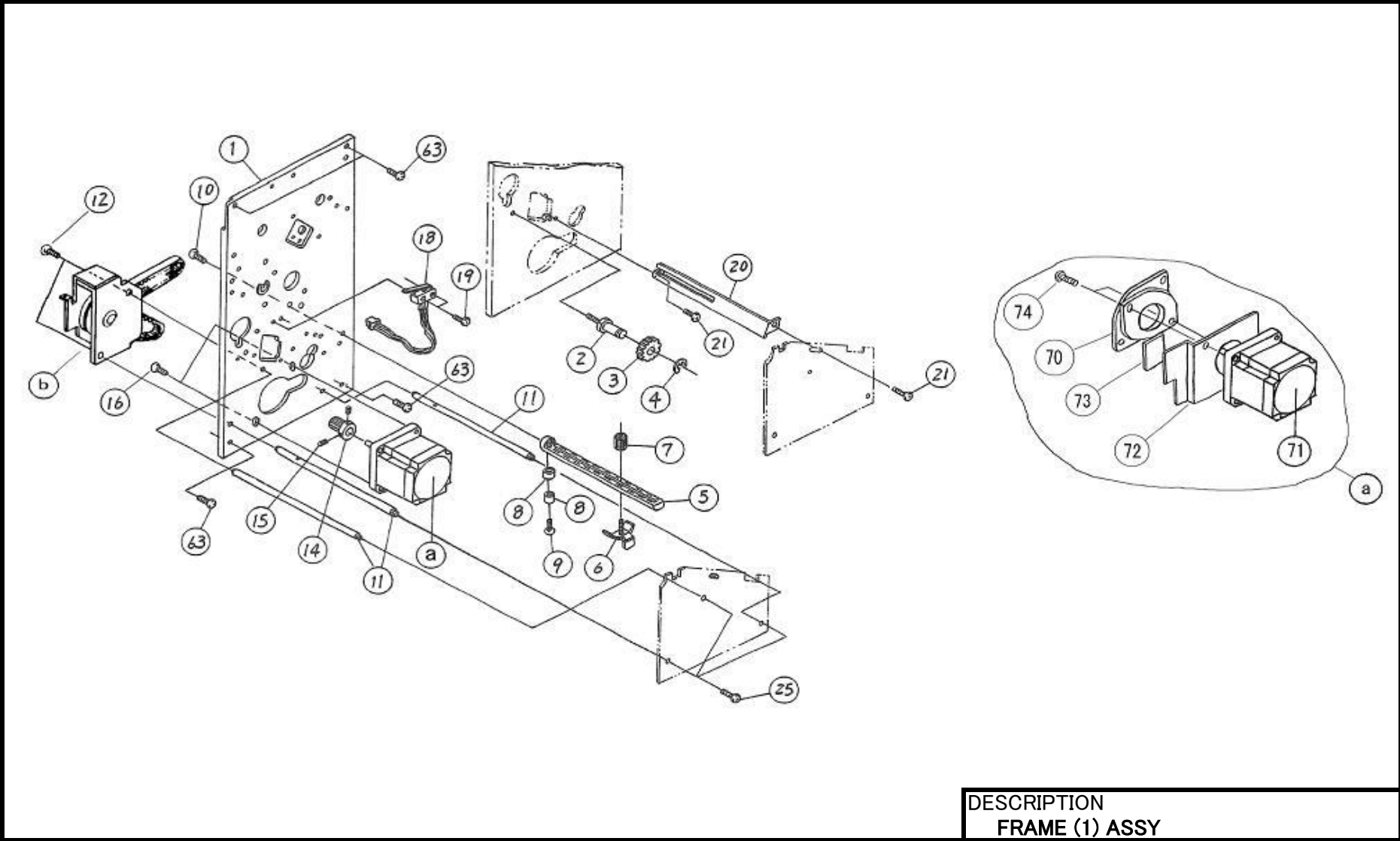
	First_Code	Description	Standard	NOTE
44	P02522000	COVER(FRONT)		
45	PH1741000	COVER(FRONT)SUB		
46	NA1030022	PLAIN WASHER		
47	NB0030022	SPRING WASHER		
48	MT1300522	HEXAGON NUT		
49	MD4401022	PAN HEAD SCREW+SW+WL		
50	PB0740701	SHAFT (UNWIND)		
51	MD4301422	PAN HEAD SCREW+SW+WL		
52	MJ1400524	HEX W-POINT SCREW		
53	PE2680700	SPACER		
54	PA2680100	LABEL GUIDE PLATE		
55	PE2680200	SPACER		
56	PV3680000	PAPER GUIDE		
57	MH0302021	PAN HEAD P-TAP SCREW		
58	PE4080100	PAPER GUIDE		
59	PT2016010	DRY METAL		
60	PE4210100	GUIDE CORE(3INCH)		
61	MH0300821	PAN HEAD P TIGHT SCREW		
62	PT92100QY	O RUBBER RING		
63	ND3160024	C-SNAP RING		
64	PB2080400	ROLL STOPPER		
65	PE4080200	GUIDE STOPPER		
66	PA1210400	HOLD SPRING		
67	MH1300821	FLAT HEAD P-TAP SCREW		
68	KA500831A	POWER SUPPLY 115V		SEG added comment 2018.2.9 "115V"
69	HD100321A	FUSE		
70	R00558000	HEAD POWER CORD SUB ASSY		
71	MD4300822	PAN HEAD SCREW+SW+WL		
73	PE6771001	MEMORY CARD COVER		
74	PB5A20001	HEAD SCREW		
80	RH1745500	POW SWITCH SUB		
81	PH1688300	LOCK PLATE		
82	RH1745700	LCD CABLE SET		
83	MD4200621	PAN HEAD SCREW+SW+WL		
84	RJ2741011	KB PCB SA		
85	MA0300622	PAN HEAD SCREW		
86	PE6740400	DSW1 COVER		
87	PA1774300	LID		
88	PA6685400	NUT PLATE		
89	MD3201221	PAN HEAD SCREW+SW+WS		
90	KA500841A	POWER SUPPLY 220V		SEG added comment 2018.2.9 "220V"
92	P05142000	SUB PB BR.(A)		

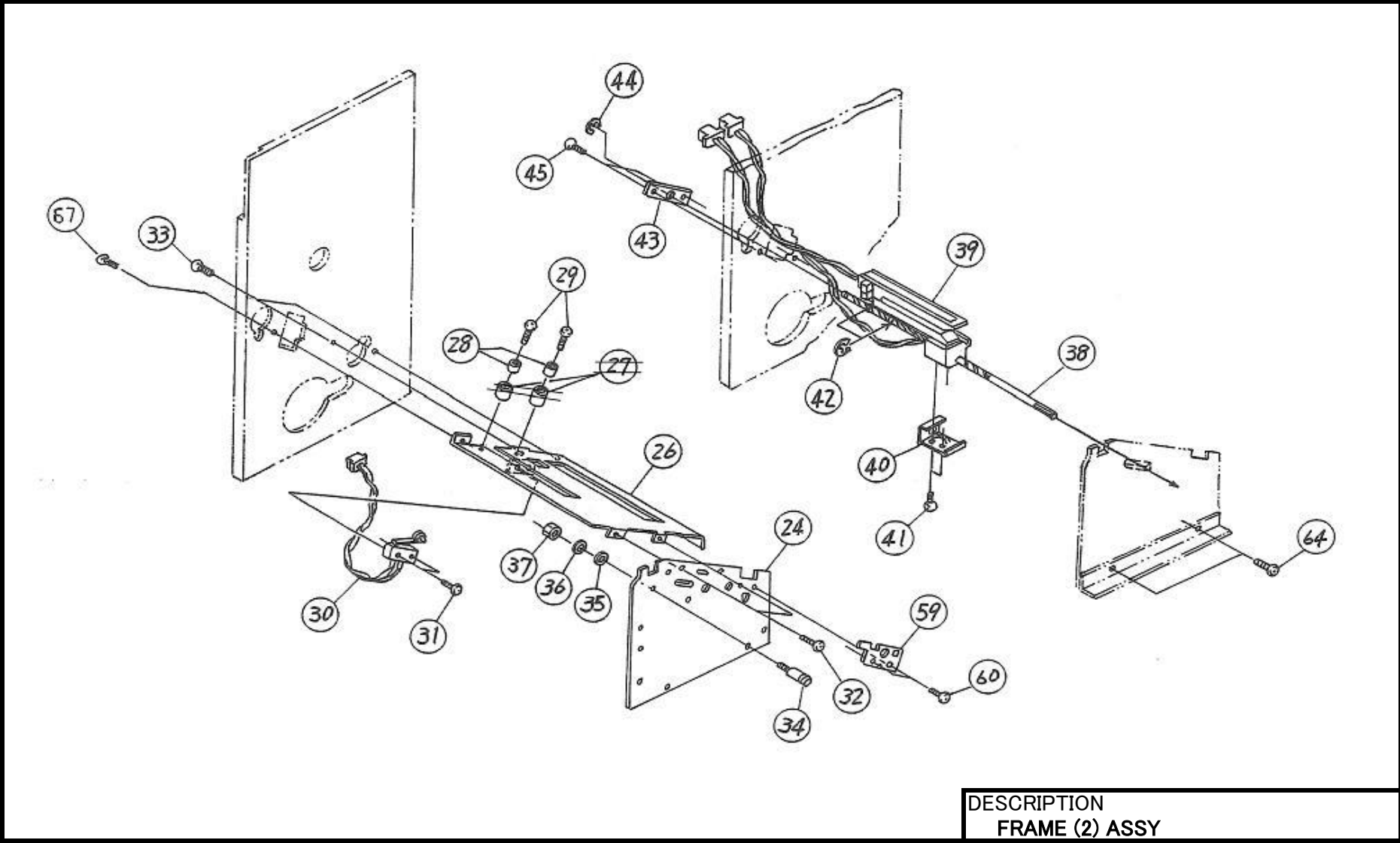
M-84Pro SERVICE PARTS LIST

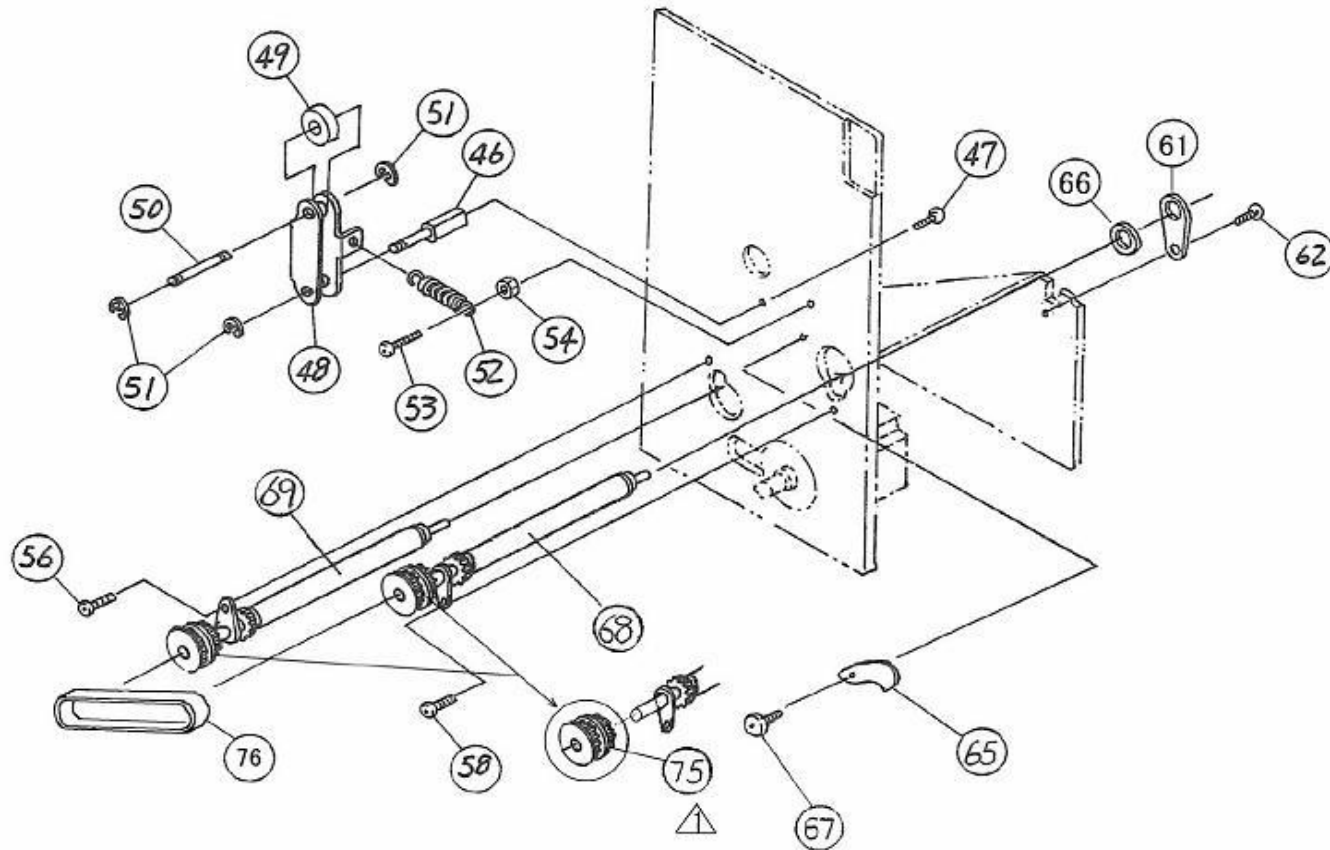
AssyName BASE COVER ASSY

R00898010

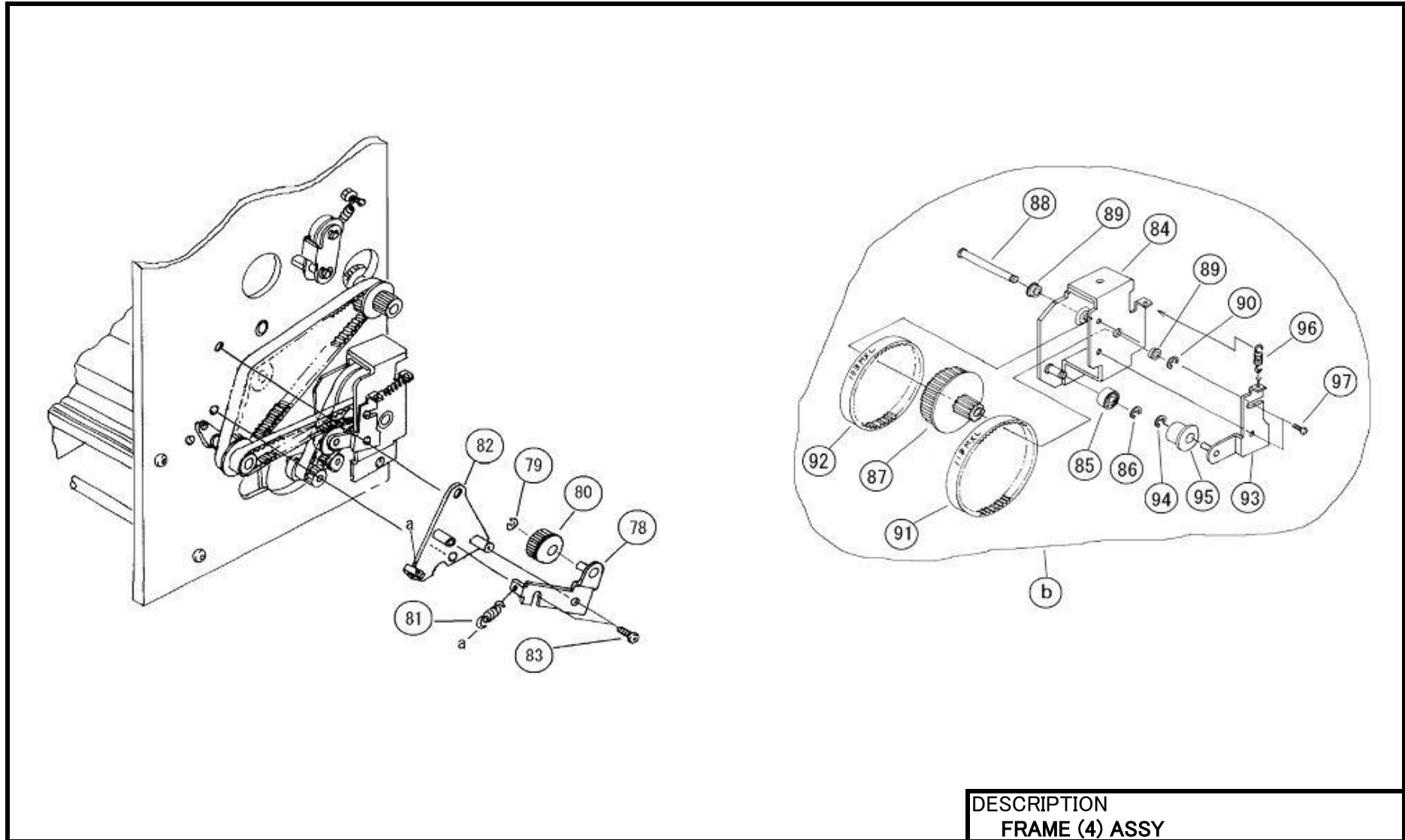
	First_Code	Description	Standard	NOTE
93	P05141000	SUB PB BR.(B)		
94	MD4300622	PAN HEAD SCREW+SW+WL		
96	PV9740400	BUSH		
97	MD4300622	PAN HEAD SCREW+SW+WL		
98	PA6740200	SHIELD PLATE		
99	PV9740500	BUSH		
100	RH1742000	KB CABLE SET		
101	P03670000	SWITCH PLATE		
103	R02159001	CONT PCB ASSY-A		
104	CJ058651A	IC(EEP-ROM)		
105	R02164000	Memory PCB ASSY-E Pro		
106	PA3739900	CONNECTOR LOCK		
108	CV617431A	IC(RTC)		
110	RH1745201	DISPENSER RELAY CORD SET B		
111	R02165000	Memory PCB ASSY-F Pro		
113	R02161000	SUB PCB ASSY		
134	RJ4770100	PC CARD PCB ASSY		







DESCRIPTION
FRAME (3) ASSY



M-84Pro SERVICE PARTS LIST

AssyName FRAME ASSY

R00905010

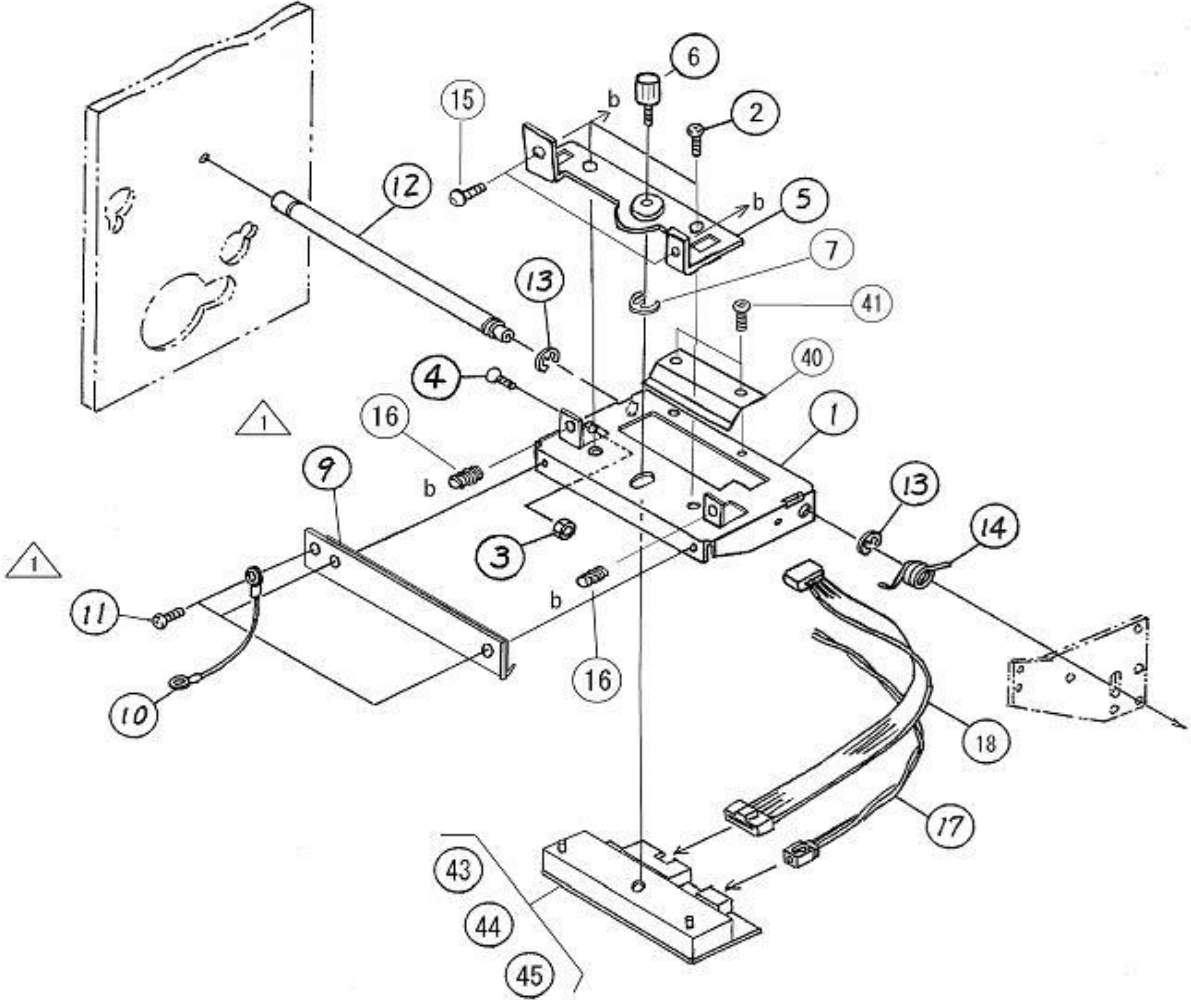
	First_Code	Description	Standard	NOTE
1	PR1740110	ENGINE FRAME		
2	PB0680000	IDLE GEAR POST		
3	PR1680100	IDLER GEAR		
4	ND0040030	E SNAP RING		
5	P05166000	GUIDE SHAFT		
6	PR3740501	SLIDE GUIDE		
7	PB2680100	KNOB		
8	PE1010400	GUIDE ROLLER(A)		
9	MH0302021	PAN HEAD P-TAP SCREW		
10	MH0301221	PAN HEAD P TIGHT SCREW		
11	PB0680400	GUIDE SHAFT		
12	MD4401022	PAN HEAD SCREW+SW+WL		
14	PL1770200	MOTOR PULLEY (16)		
15	MJ1400524	HEX W-POINT SCREW		
16	MD4401222	PAN HEAD SCREW+SW+WL		
18	RH1740500	HEAD OPEN SW CABLE SET (SEN5)		
19	MD3201221	PAN HEAD SCREW+SW+WS		
20	PA3740200	SENSOR GUIDE		
21	MD4300822	PAN HEAD SCREW+SW+WL		
24	PA1740200	SIDE FRAME		
25	MD4401022	PAN HEAD SCREW+SW+WL		
26	PR3740400	PAPER GUIDE		
28	P05627000	COLLAR(3.1*8*5.5)		
29	MD4301222	PAN HEAD SCREW+SW+WL		
30	RH1741300	PAPER END SW CODE SET (SEN7)		
31	MD3201221	PAN HEAD SCREW+SW+WS		
32	MD4300622	PAN HEAD SCREW+SW+WL		
33	MD4301022	PAN HEAD SCREW+SW+WL		
34	PB0740101	POST (LATCH)		
35	NA1040022	PLAIN WASHER		
36	NB0040022	SPRING WASHER		
37	MT1400722	HEX NUT		
38	PB0740202	SHAFT (SENSOR)		
39	PR7740200	PITCH SENSOR SUB		
40	PA4740300	PLATE SPRING		
41	MH0300821	PAN HEAD P TIGHT SCREW		
42	ND0040030	E SNAP RING		
43	PA1740300	SENSOR BRACKET		
44	ND0030030	E RING RING		
45	MD4300822	PAN HEAD SCREW+SW+WL		
46	PB0740800	POST (TENSION ROLLER)		
47	MD4401621	PAN HEAD SCREW+SW+WL		
48	PA3741800	TENTION BR		
49	PE3720100	TENSION ROLLER		
50	PB0740900	SHAFT (TENSION ROLLER)		
51	ND0040030	E SNAP RING		
52	PC0740100	SPRING (TENSION)		

M-84Pro SERVICE PARTS LIST

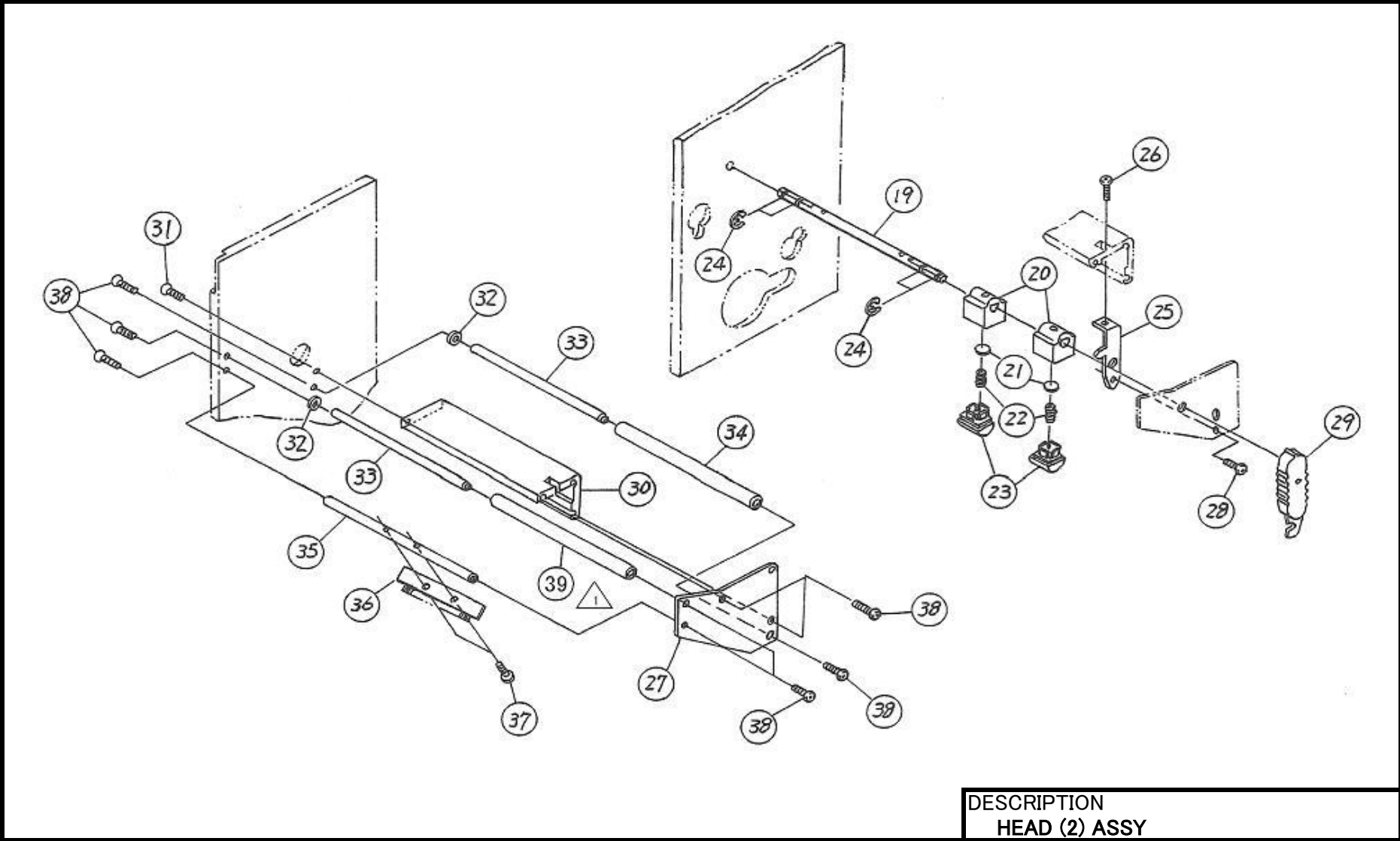
AssyName FRAME ASSY

R00905010

	First_Code	Description	Standard	NOTE
53	MD4301422	PAN HEAD SCREW+SW+WL		
54	MT1300522	HEXAGON NUT		
56	MD4300822	PAN HEAD SCREW+SW+WL		
58	MD4300822	PAN HEAD SCREW+SW+WL		
59	PA1741000	ADJUST PLATE		
60	MD4401022	PAN HEAD SCREW+SW+WL		
61	PA1680200	SUPPORTER CRAMP		
62	MA0300422	PAN HEAD SCREW		
63	MD4301422	PAN HEAD SCREW+SW+WL		
64	MD4401022	PAN HEAD SCREW+SW+WL		
65	PA1741400	COVER (PLATEN)		
66	PT1112060	BALL SUPPORTER		
67	MD4301222	PAN HEAD SCREW+SW+WL		
68	R00907003	PLATEN ROLLER SUB(With a play)		From S/N 411XXXXX
	R00907001	PLATEN ROLLER SUB(Without a play)		
69	R00908001	FEED ROLLER SUB(With a play)		From S/N 411XXXXX
	R00908000	FEED ROLLER SUB(Without a play)		
70	P02525000	RUBBER DAMPER		
71	K00014000	STEPPING MOTOR		
72	P02047000	HEAT PLATE		
73	P02048000	HEAT PAD		
74	MA0401021	PAN HEAD SCREW		
75	R05309000	PULLEY SET(42/27)		
76	PT8155064	TIMING BELT		
78	R00909001	TENSION BR. (PULLEY)		
79	ND0040030	E SNAP RING		
80	PR1733200	PULLEY (22)		
81	P01101000	TENSION SPRING		
82	R00910000	TENSION BR. (2)		
83	MD4300622	PAN HEAD SCREW+SW+WL		
84	R00912001	PULLEY BR.		
85	PR1732600	TENSION ROLLER		
86	ND0040030	E SNAP RING		
87	R00914000	PULLEY(71/20)		
88	P01100010	SHAFT(PULLEY)		
89	PT1110060	BALL SUPPORTER		
90	ND0040030	E SNAP RING		
91	P02527000	TIMING BELT		
92	P02528000	TIMING BELT		
93	R00913000	TENSION BR.(ROLLER)		
94	ND0040030	E SNAP RING		
95	PE3720100	TENSION ROLLER		
96	P01101000	TENSION SPRING		
97	MD4300622	PAN HEAD SCREW+SW+WL		



DESCRIPTION
HEAD (1) ASSY



M-84Pro SERVICE PARTS LIST

AssyName HEAD ASSY

R00903010

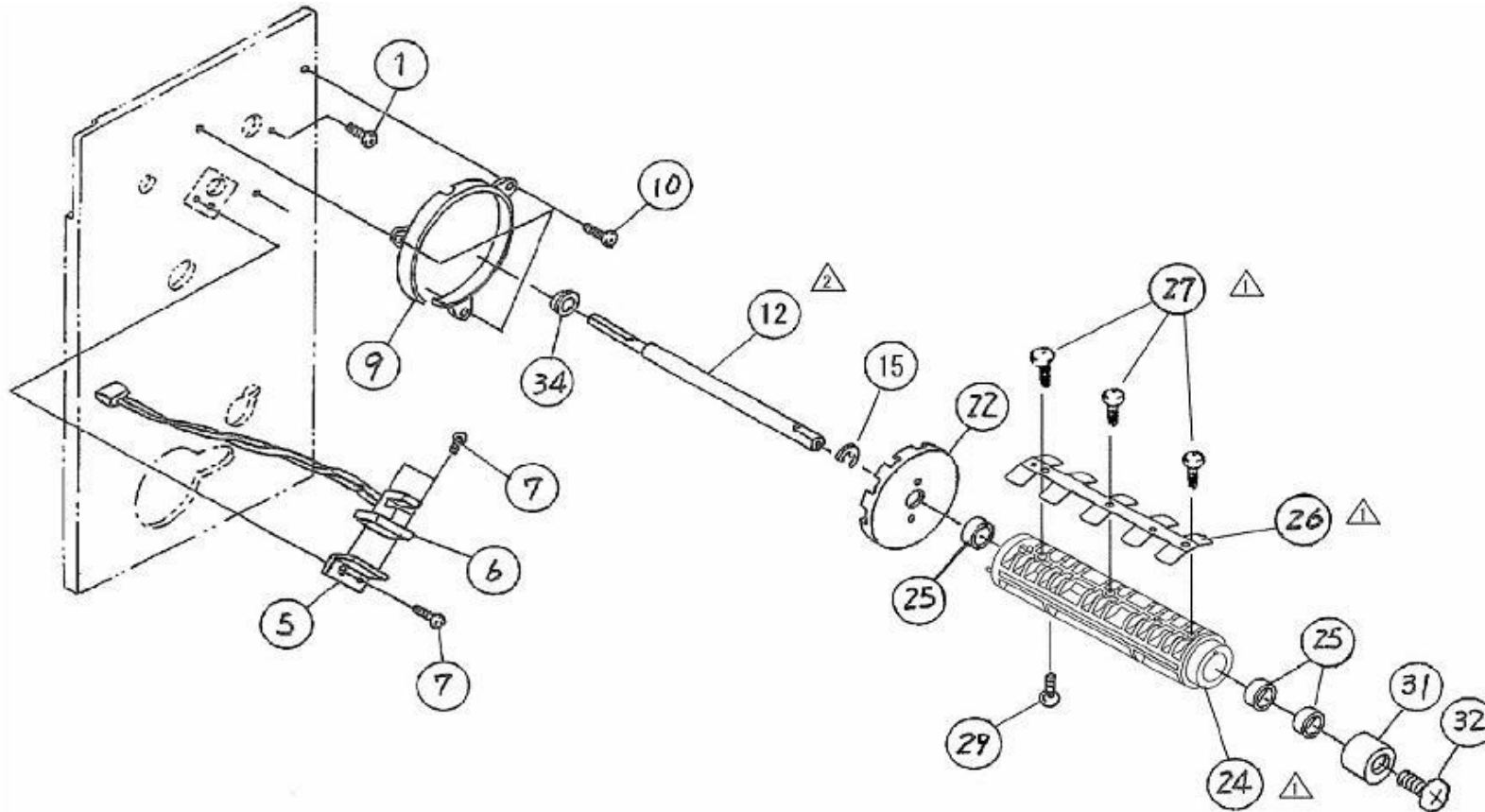
	First_Code	Description	Standard	NOTE
1	P01065020	HEAD BRACKET		
2	MD4300622	PAN HEAD SCREW+SW+WL		
3	MT1300522	HEXAGON NUT		
4	MA0300821	PAN HEAD SCREW		
5	P01068010	ADJUST PLATE		
6	P02644010	SCREW(HEAD)		
7	ND0040030	E SNAP RING		
9	R02792000	RIBBON ADJUST PLATE		
10	RH1741800			
11	MA2300622	BIND HEAD SCREW		
12	PB0740300	SHAFT (HEAD)		
13	ND0060030	E RING		
14	PC2740101	SPRING (OPEN)		
15	MA0301622	PAN HEAD SCREW		
16	P02643000	SPRING(ADJUST)		
17	R00558000	HEAD POWER CORD SUB ASSY		
18	R01435000	THERMAL HEAD CORD SET		
19	PB0740401	SHAFT(HEAD PRESSURE)		
20	PE1740100	HEAD PRESSURE BR		
21	PA0740100	PRESSURE PLATE		
22	PC1740200	SPRING (HEAD)		
23	PE1740200	HEAD PRESSURE PIN		
24	ND0060030	E RING		
25	PA3740600	ADJUST PLATE		
26	MD4301422	PAN HEAD SCREW+SW+WL		
27	PA1740510	HEAD FRAME		
28	MD4300622	PAN HEAD SCREW+SW+WL		
29	PR2740100	LATCH HANDLE		
30	PD1740100	STAY		
31	MD4401621	PAN HEAD SCREW+SW+WL		
32	PT9740300	POLY SLIDER		
33	PB0680400	GUIDE SHAFT		
34	PR1740400	ROLLER (8*12*144)		
35	PB0740500	SHAFT (BRUSH)		
36	PR1340500	ANTI STATIC BRUSH		
37	MA0300622	PAN HEAD SCREW		
38	MD4401022	PAN HEAD SCREW+SW+WL		
39	R05079001	ROLLER SET		
40	P02423000	COVER(CABLE)		
41	MD4300622	PAN HEAD SCREW+SW+WL		
43	WWM845800	HEAD ASSY (8)		
44	WWM845810	HEAD ASSY (12)		

M-84Pro SERVICE PARTS LIST

AssyName HEAD ASSY

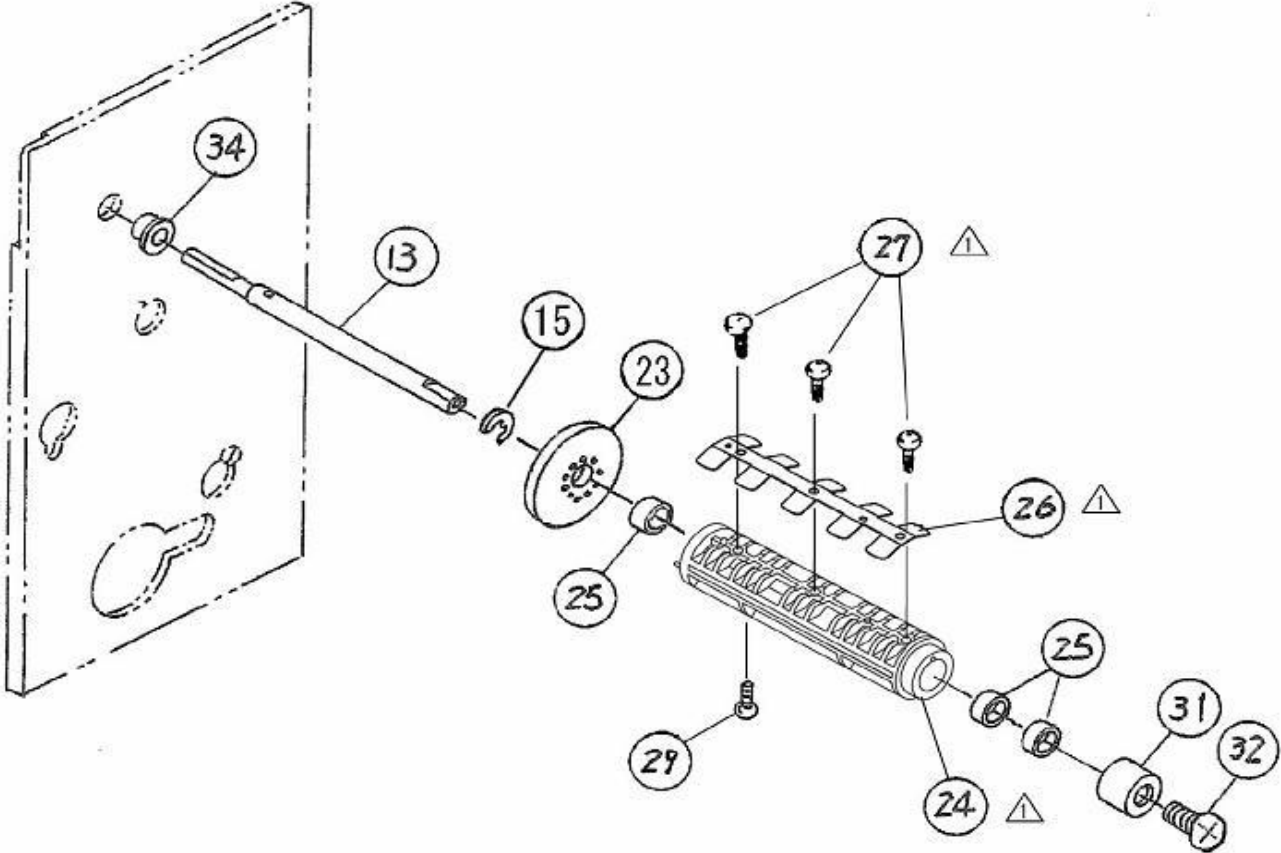
R00903010

	First_Code	Description	Standard	NOTE
45	WWM845820	HEAD ASSY (24)		



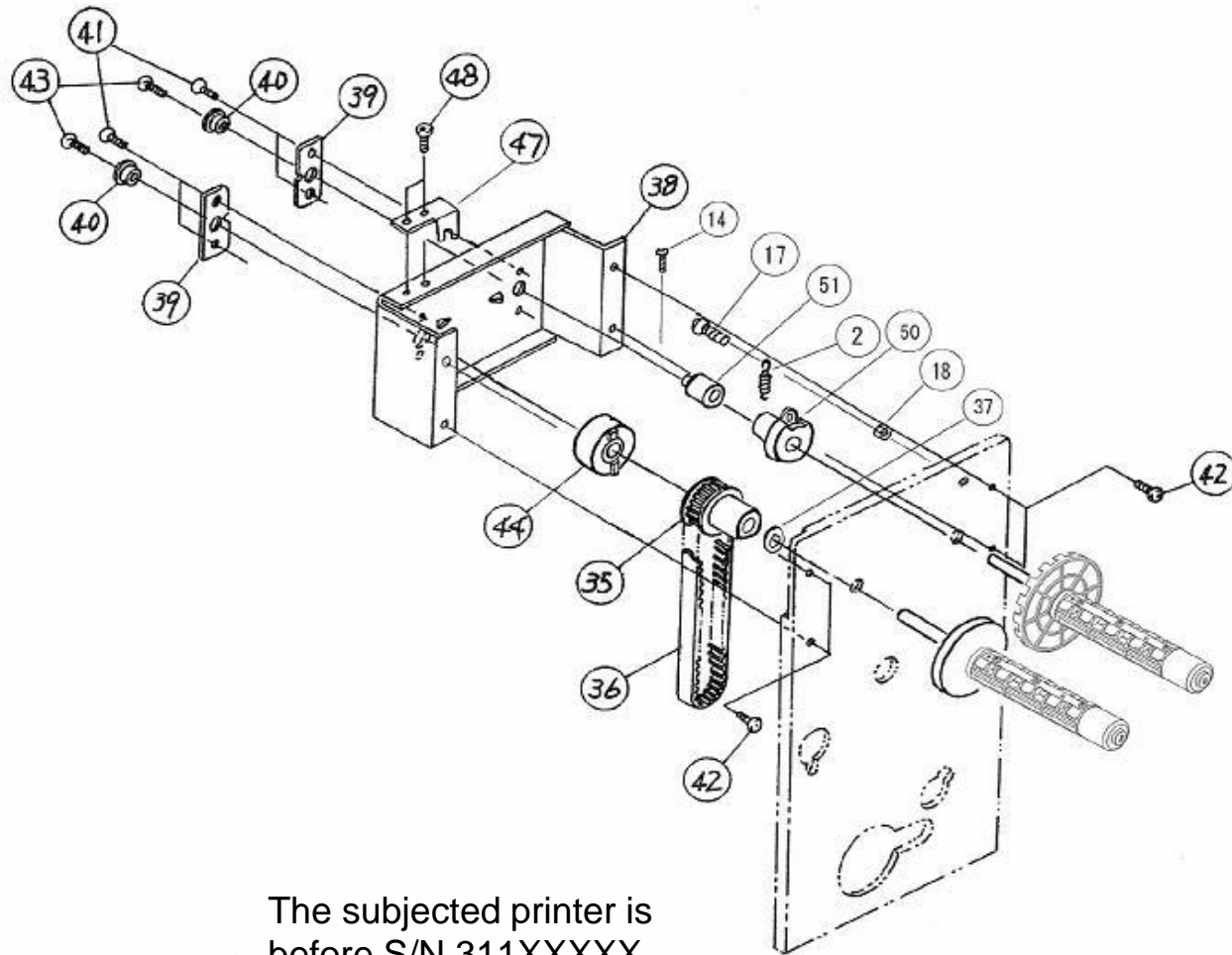
The subjected printer is
before S/N 311XXXXX

DESCRIPTION
RIBBON (1) ASSY



The subjected printer is
before S/N 311XXXXX

DESCRIPTION
RIBBON (2) ASSY



The subjected printer is
before S/N 311XXXXX

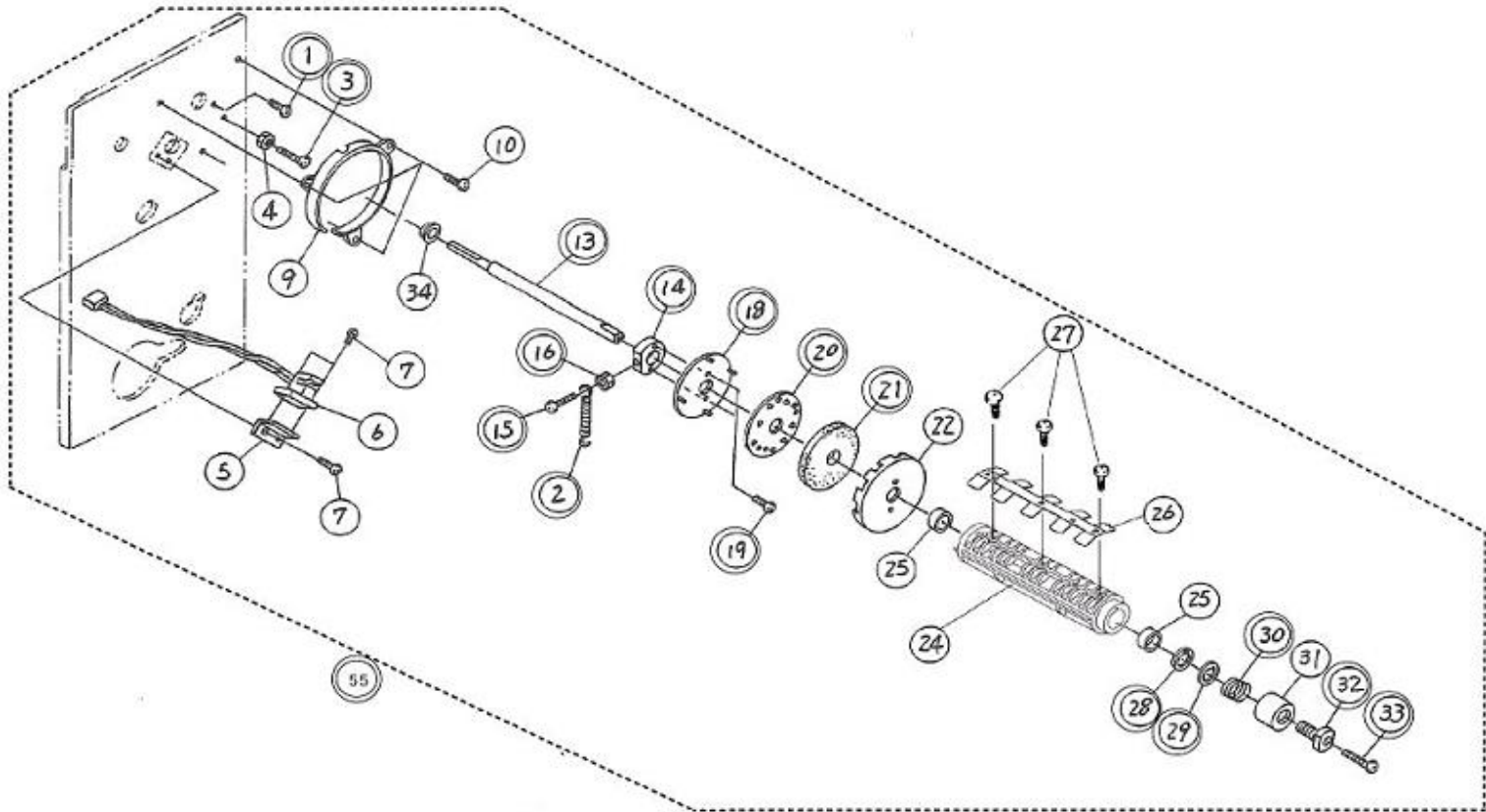
DESCRIPTION RIBBON (3) ASSY

M-84Pro SERVICE PARTS LIST

AssyName RIBBON ASSY

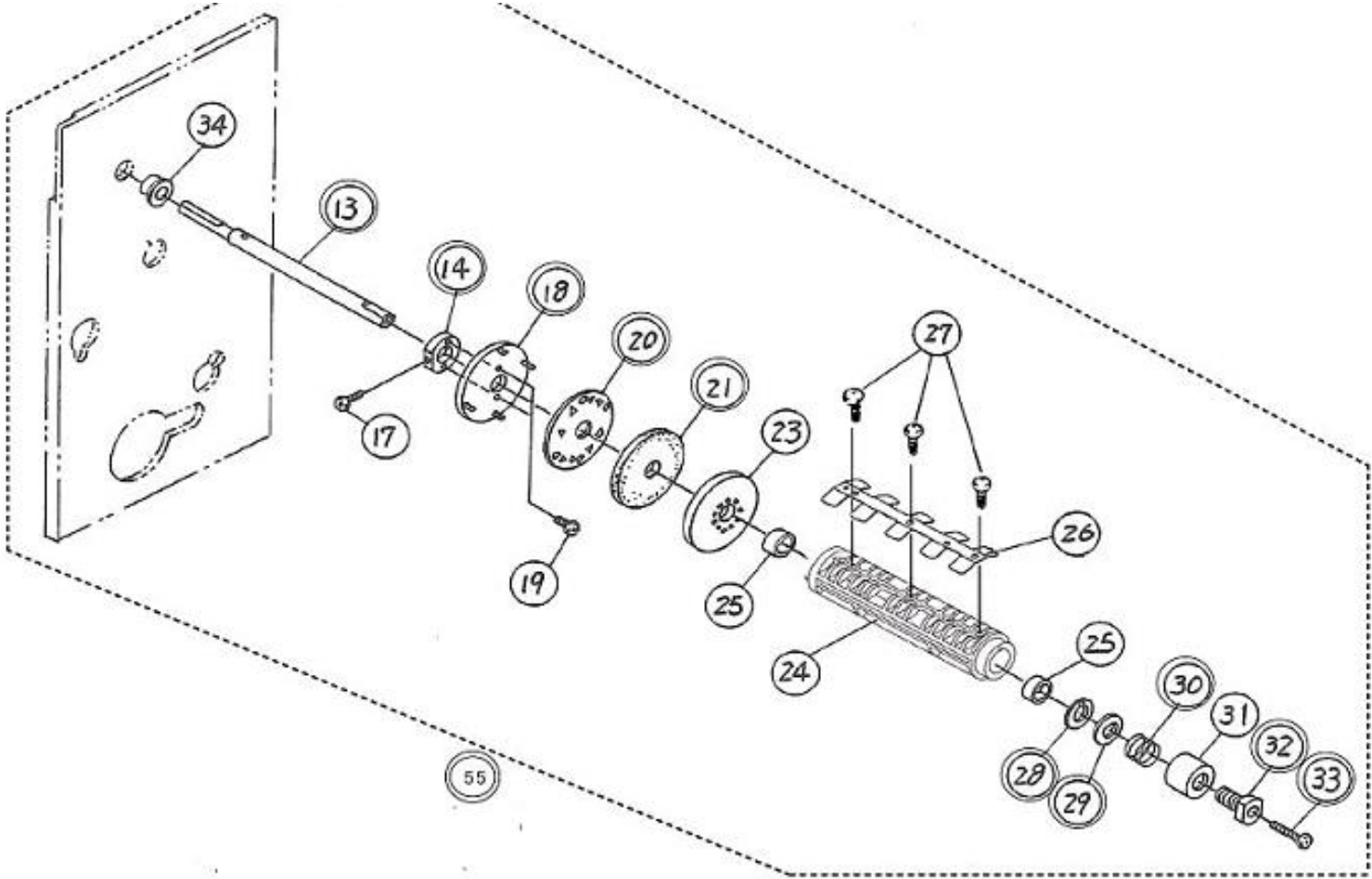
R04463010

	First_Code	Description	Standard	NOTE
1	MD4301022	PAN HEAD SCREW+SW+WL		
2	P02523000	SPRING(BACK)		
5	PA3730200	SENSOR BR(RIBBON)		
6	RH1740400	RIBBON SENSOR CABLE SET (SEN4)		
7	MA0300622	PAN HEAD SCREW		
9	PE6720100	DISK PLATE COVER		
10	MD4300822	PAN HEAD SCREW+SW+WL		
12	P06191000	RIBBON SHAFT(UW)		
13	P06184000	RIBBON SHAFT(RW)		
14	MA0200821	PAN HEAD SCREW		
15	ND0080022	E-SNAP RING		
17	MD4301622	PAN HEAD SCREW+SW+WL		
18	MT1300522	HEXAGON NUT		
22	PE7720100	DISK PLATE(A)		
23	PE1681100	GUIDE PL(B)		
24	PE4730100	RIBBON BOSS(4)		
25	PE2720100	COLLAR (10*12*10)		
26	P00626000	SPRING(RIBBON BOSS)		
27	MH0300521	PAN HEAD P TIGHT SCREW		
29	MA0300421	PAN HEAD SCREW		
31	PE2730100	STOPPER COLLAR		
32	M00001000	BUTTON CAP SCREW		
34	PT1112080	BALL BEARING		
35	P00166000	ONE-WAY LIMITER(PULLEY50)		
36	P02524000	TIMING BELT		
37	PT9740300	POLY SLIDER		
38	PA3740900	RIBBON FRAME		
39	PA1731000	ADJUST PLATE		
40	PT1112080	BALL BEARING		
41	MD4300622	PAN HEAD SCREW+SW+WL		
42	MD4401222	PAN HEAD SCREW+SW+WL		
43	MD4401022	PAN HEAD SCREW+SW+WL		
44	P00170000	ONE-WAY LIMITTER		
47	P00168000	STOPPER BR.		
48	MD4300622	PAN HEAD SCREW+SW+WL		
50	P02376000	BOSS(T.LIMITER)		
51	P00180000	TORQUE LIMITER		



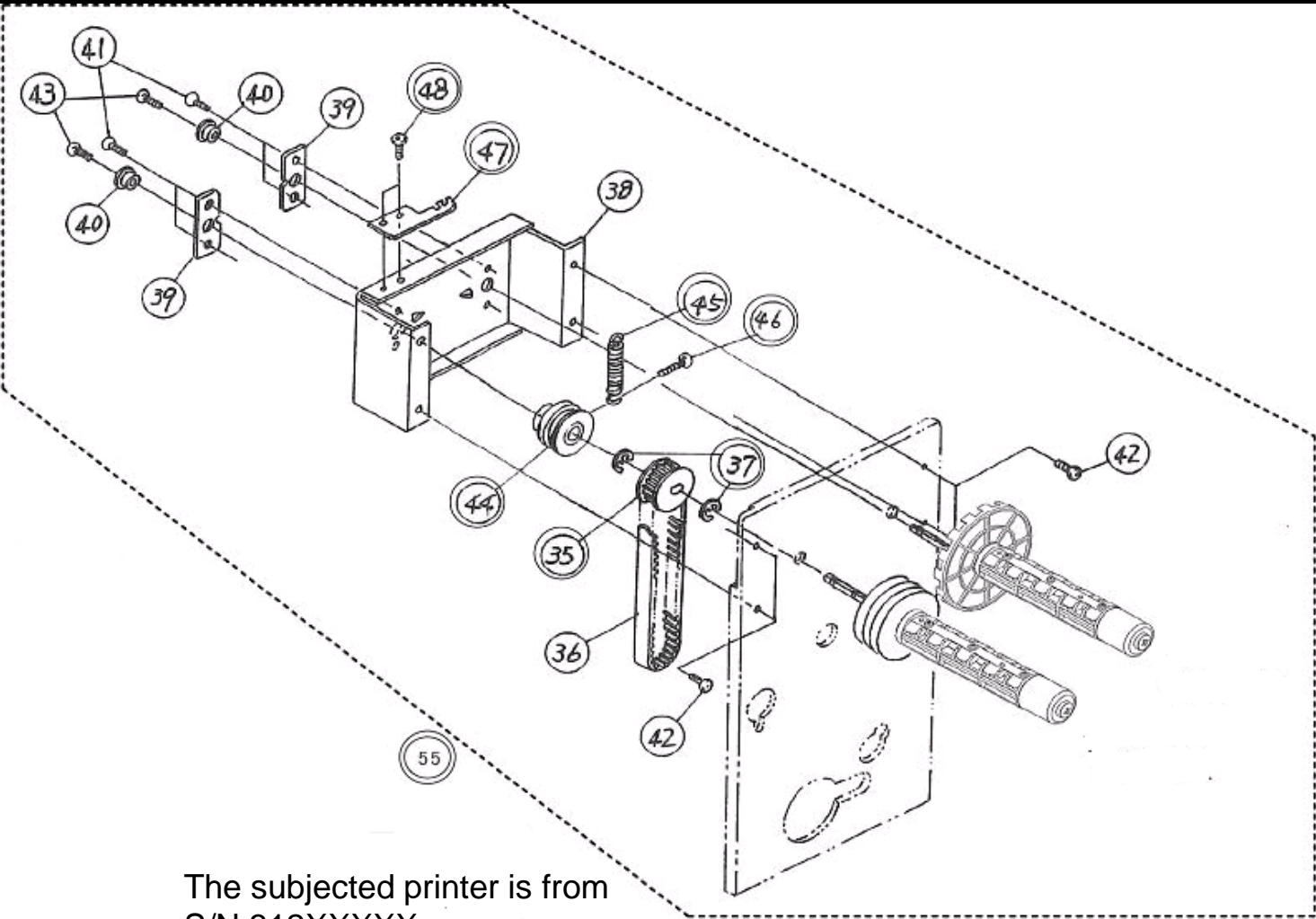
The subjected printer is from
S/N 312XXXXX

DESCRIPTION FELT RIBBON (1) ASSY



The subjected printer is from
S/N 312XXXXX

DESCRIPTION
FELT RIBBON (2) ASSY



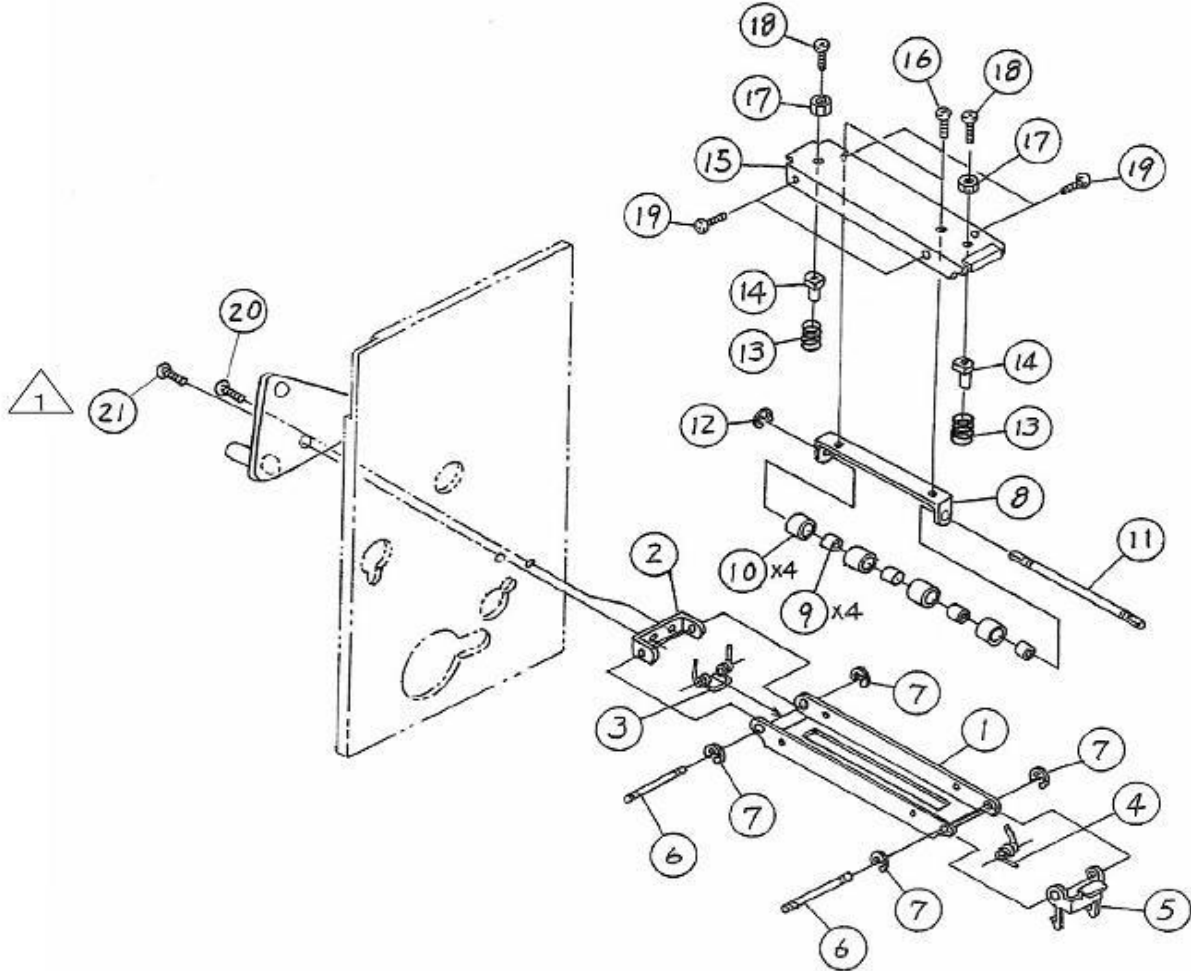
The subjected printer is from
S/N 312XXXXX

DESCRIPTION FELT RIBBON (3) ASSY

M-84Pro SERVICE PARTS LIST

AssyName FELT RIBBON ASSY

	First_Code	Description		NOTE
1	MD4300622	PAN HEAD SCREW+SW+WL		
2	PC0740200	SPRING (BACK)		
3	MA1300822	FLAT HEAD SCREW		
4	MT1300522	HEXAGON NUT		
5	PA3730200	SENSOR BR(RIBBON)		
6	RH1740400	RIBBON SENSOR CABLE SET (SEN4)		
7	MA0300622	PAN HEAD SCREW		
9	PE6720100	DISK PLATE COVER		
10	MD4300822	PAN HEAD SCREW+SW+WL		
13	PB0740602	SHAFT (RIBBON)		
14	PE4720200	PLATE HOLDER BOSS		
15	MA0302522	PAN HEAD SCREW		
16	MT1300522	HEXAGON NUT		
17	MA0301821	PAN HEAD SCREW		
18	PA0730100	GUIDE PLATE		
19	MH1250621	FLAT HEAD P TIGHT SCREW		
20	PA0730200	HOLD PLATE		
21	PA0680300	LINING		
22	PE7720100	DISK PLATE(A)		
23	PE1681100	GUIDE PL(B)		
24	PE4730100	RIBBON BOSS(4)		
25	PE2720100	COLLAR (10*12*10)		
26	P00626000	SPRING(RIBBON BOSS)		
27	MH0300521	PAN HEAD P TIGHT SCREW		
28	PT2301020	OIL DRY METAL WASHER		
29	PA0680400	DISC		
30	PC1730100	SPRING (RIBBON)		
31	PE2730100	STOPPER COLLAR		
32	PB5730100	ADJUST SCREW		
33	MA0303022	PAN HEAD SCREW		
34	PT1112080	BALL BEARING		
35	PR1720400	PULLEY (50)		
36	PT8165064	TIMING BELT		
37	ND0060030	E RING		
38	PA3740900	RIBBON FRAME		
39	PA1731000	ADJUST PLATE		
40	PT1112080	BALL BEARING		
41	MD4300622	PAN HEAD SCREW+SW+WL		
42	MD4401222	PAN HEAD SCREW+SW+WL		
43	MD4401022	PAN HEAD SCREW+SW+WL		
44	PR1770100	PULLEY (4*40)		
45	PC0740200	SPRING (BACK)		
46	MH0300821	PAN HEAD P TIGHT SCREW		
47	PA2771300	SPRING (BRACKET)		
48	MD4300622	PAN HEAD SCREW+SW+WL		
55	R04423000	RIBBON EXCHANGE PARTS SET(PRO)		



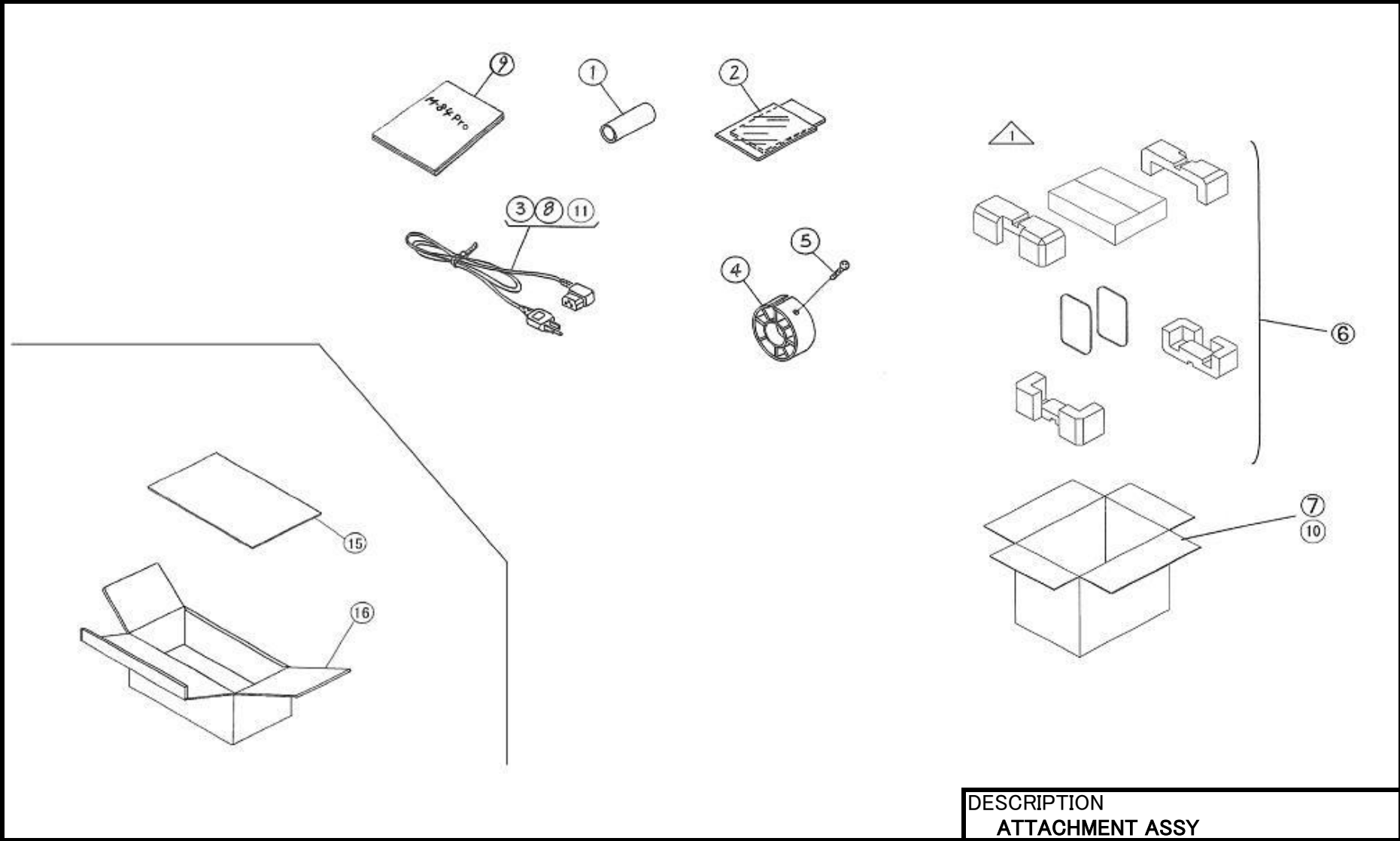
DESCRIPTION
FEED ROLLER ASSY

M-84Pro SERVICE PARTS LIST

AssyName FEED ROLLER ASSY

RB2740110(RV06-027)

	First_Code	Description	Standard	NOTE
1	PA3742201	PAPER LID (BOTTOM)		
2	PA3742001	LID BRACKET		
3	PC2740200	SPRING (OPEN)		
4	PC2740300	SPRING (LATCH)		
5	PA3742100	LATCH HANDLE		
6	PB0741100	SHAFT (LID)		
7	ND0020030	E SNAP RING		
8	PA3741900	ROLLER BRACKET		
9	PE3720500	ROLLER (6.1*9*6)		
10	PE3720200	ROLLER (6.1*12*26)		
11	PB0741000	SHAFT (PRESSURE ROLLER)		
12	ND0040030	E SNAP RING		
13	PC1740401	SPRING (PRESSURE)		
14	PE2730300	STOPPER COLLAR		
15	PR4740300	PAPER LID (TOP)		
16	MD4300622	PAN HEAD SCREW+SW+WL		
17	MT1300522	HEXAGON NUT		
18	MA0301022	PAN HEAD SCREW		
19	MD4300622	PAN HEAD SCREW+SW+WL		
20	MD4301022	PAN HEAD SCREW+SW+WL		
21	MD4301222	PAN HEAD SCREW+SW+WL		

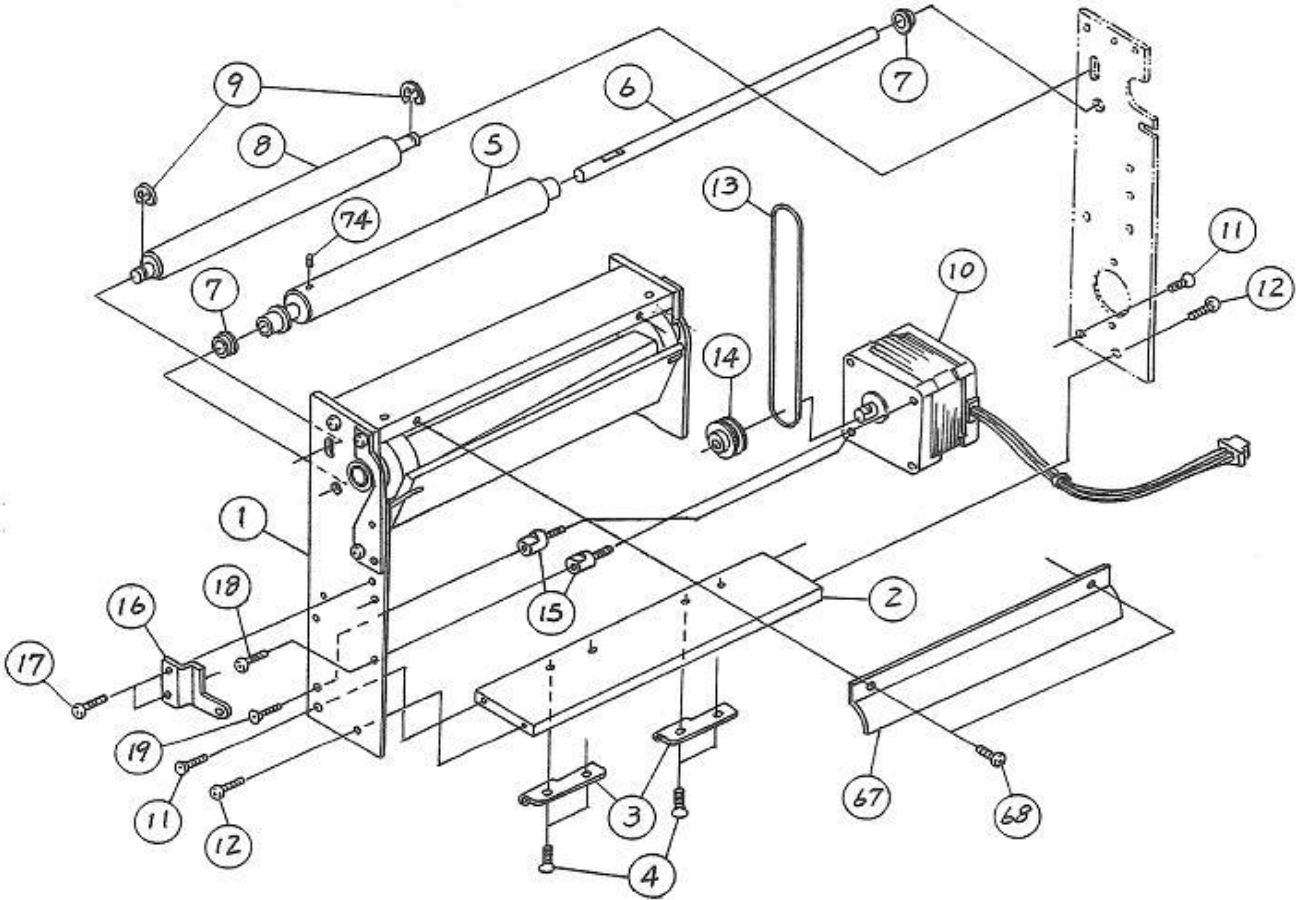


M-84Pro SERVICE PARTS LIST

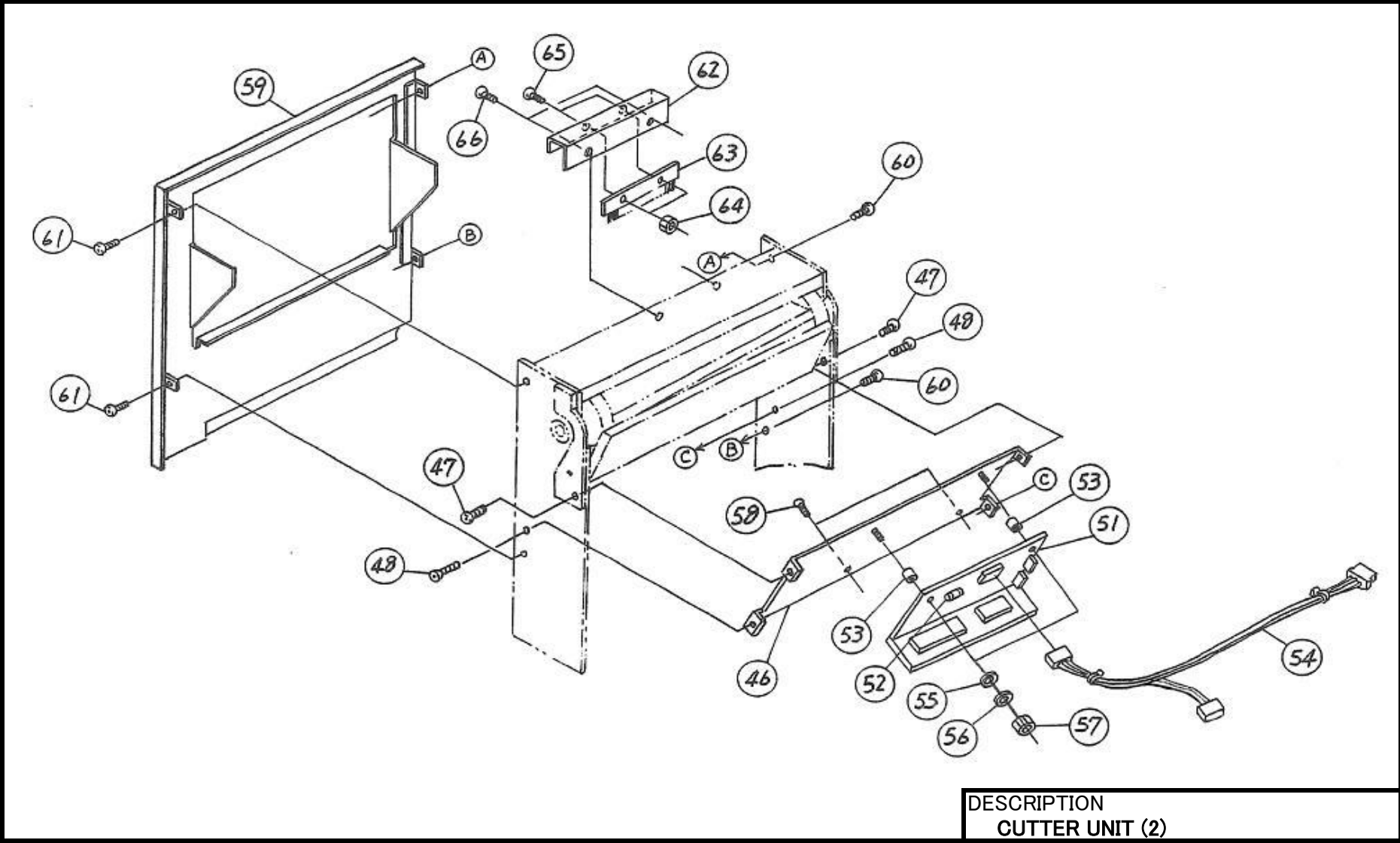
AssyName ATTACHMENT ASSY

R01183010

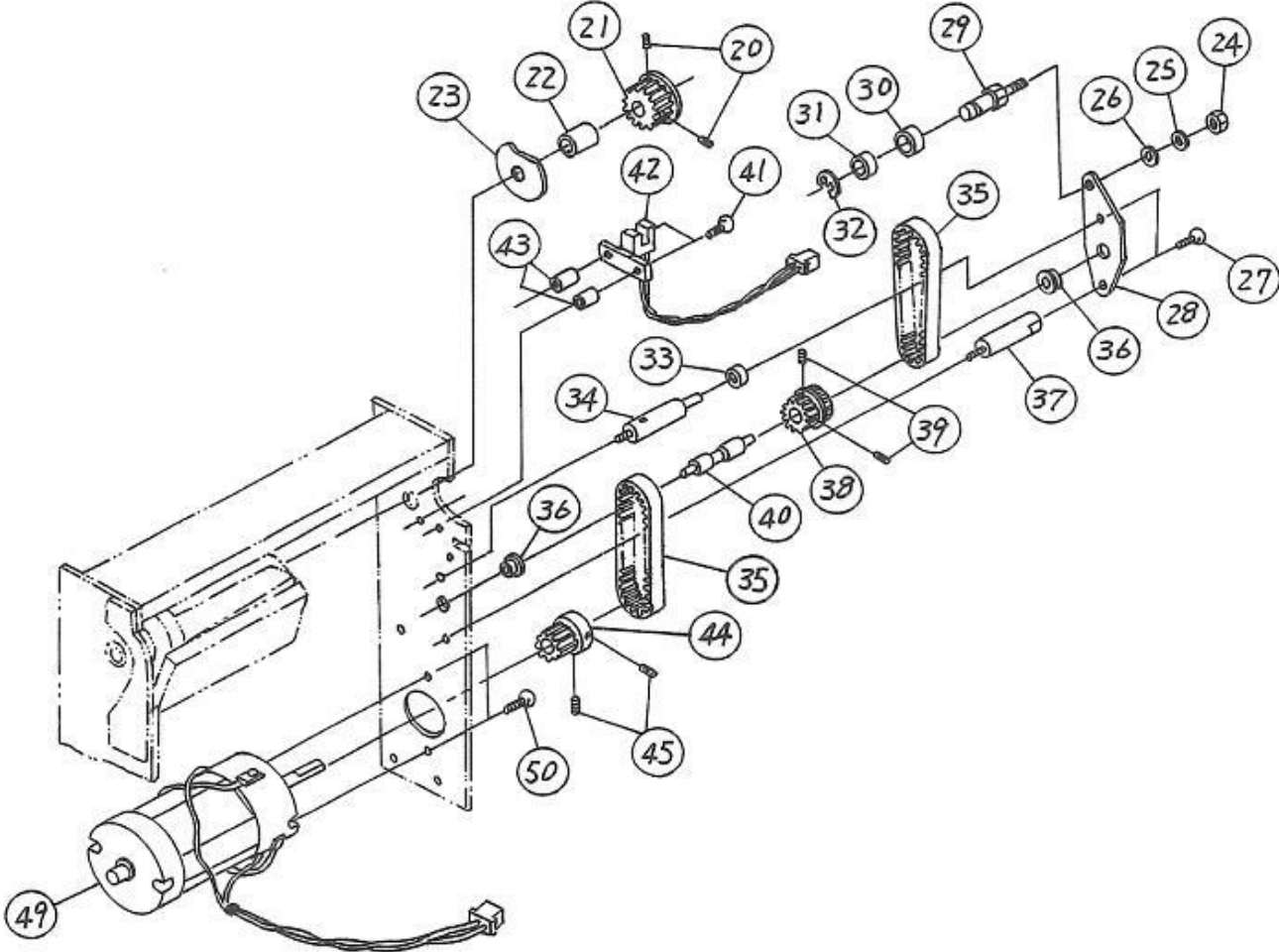
	First_Code	Description	Standard	NOTE
1	QL1003000	PAPER GUIDE		
2	Q00029000	LAPPING SHEET SET(4W)		
3	JH000052A	POWER CORD(220V)-LF		
4	PE4210100	GUIDE CORE(3INCH)		
5	MH0300821	PAN HEAD P TIGHT SCREW		
6	R01434010	CUSHION SET		
7	Q00487001	CARTON BOX(M)		
8	JH000071A	POWER CORD(3M)-LF		
9	Q00372000	QUICK GUIDE		
10	Q00567001	CARTON BOX(J)		
11	H00363000	POWER CODE-LF		
15	Q00425000	AIR PACKING SHEET		
16	Q00426000	CASE		



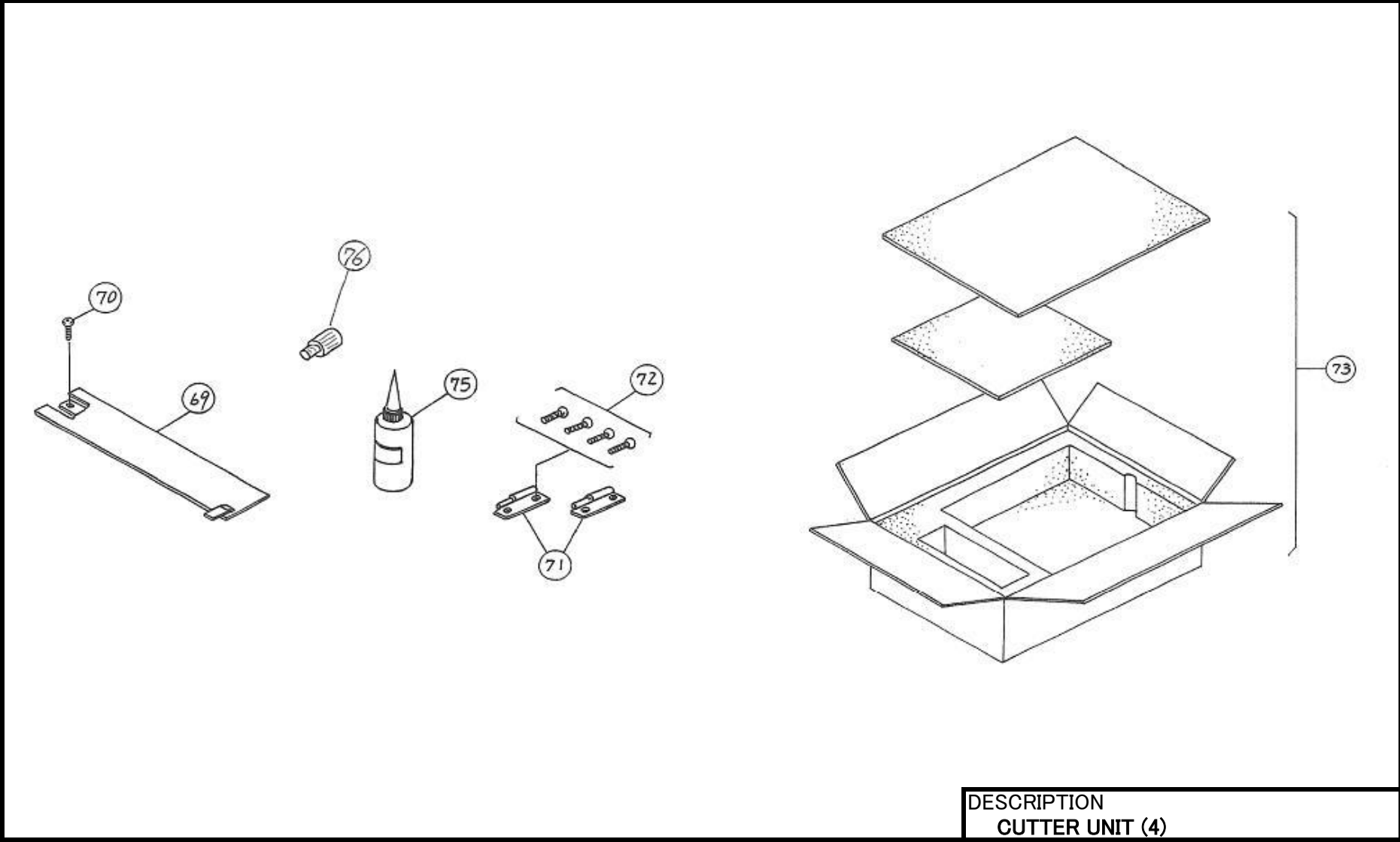
DESCRIPTION
CUTTER UNIT (1)



DESCRIPTION
CUTTER UNIT (2)



DESCRIPTION
CUTTER UNIT (3)



DESCRIPTION
CUTTER UNIT (4)

M-84Pro SERVICE PARTS LIST

AssyName CUTTER UNIT

PR4680610(RV06-300)

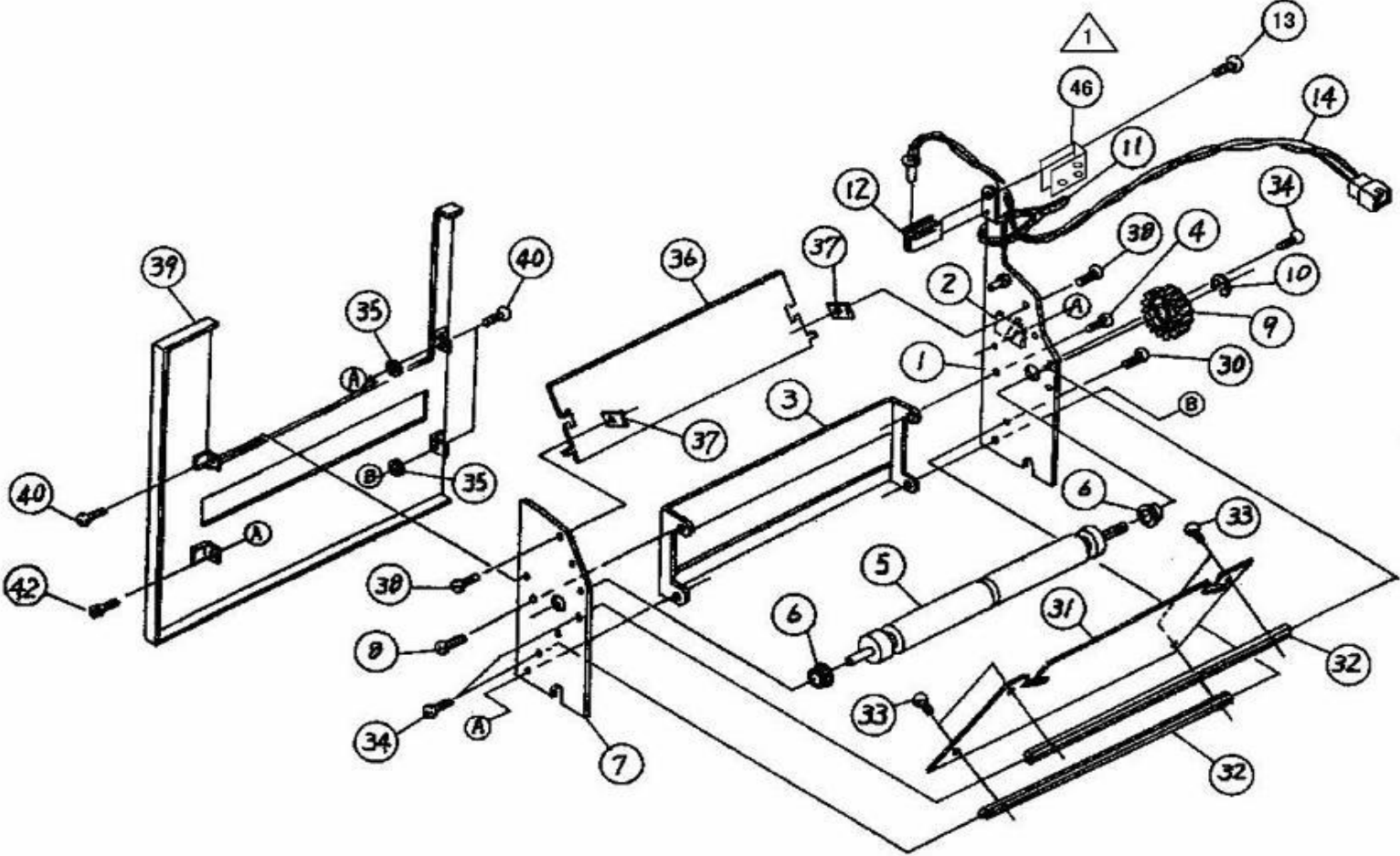
	First_Code	Description	Standard	NOTE
1	PR4680600	CUTTER UNIT		
2	PD1680301	STAY		
3	PT3000100	HINGE		
4	MA1300822	FLAT HEAD SCREW		
5	PB3680700	FEED ROLLER		
6	PB0682500	FEED ROLLER SHAFT		
7	PT1108050	BALL SUPPORTER		
8	PB3680200	DISPENSE ROLLER		
9	ND0030030	E RING RING		
10	RB0680300	STEPPER MOTOR ASSY (MARUNI ASSEM)		
11	MA1400822	FLAT HEAD SCREW		
12	MD4401022	PAN HEAD SCREW+SW+WL		
13	PT9680300	O-R BELT		
14	PE8680400	MOTOR PULLEY		
15	PB0682600	MOTOR POST		
16	PA3684600	CUTTER BRACKET		
17	MD4300622	PAN HEAD SCREW+SW+WL		
18	MD4300822	PAN HEAD SCREW+SW+WL		
19	MA1300822	FLAT HEAD SCREW		
20	MJ1300424	HEX SOCKET SET SCREW		
21	PR1691401	CUTTER PULLEY		
22	PE3690701	SPACER		
23	PA0680701	SENSOR SLIT		
24	MT1300522	HEXAGON NUT		
25	NB0030022	SPRING WASHER		
26	NA1030022	PLAIN WASHER		
27	MD4300822	PAN HEAD SCREW+SW+WL		
28	PA1690000	IDLE GEAR BRACKET		
29	PB0690300	ROLLER SHAFT		
30	PB3680501	TENSION LOLLER		
31	PT2006008	DRY METAL BUSH		
32	ND0050030	E SNAP RING		
33	PT2005008	DRY METAL		
34	PB0686500	IDLE BRACKET SHAFT (B)		
35	PT9690600	TIMING BELT		
36	PT1107030	BALL SUPPORTER		
37	PB0682400	IDLE BRACKET SHAFT		
38	PR1691501	IDOL PULLEY		
39	MJ1300424	HEX SOCKET SET SCREW		
40	PB0682300	IDEL PULLEY SHAFT		
41	MD3301222	PAN HEAD SCREW		
42	RF0680501	SENSOR SUB ASSY (MARUNI ASSEM)		

M-84Pro SERVICE PARTS LIST

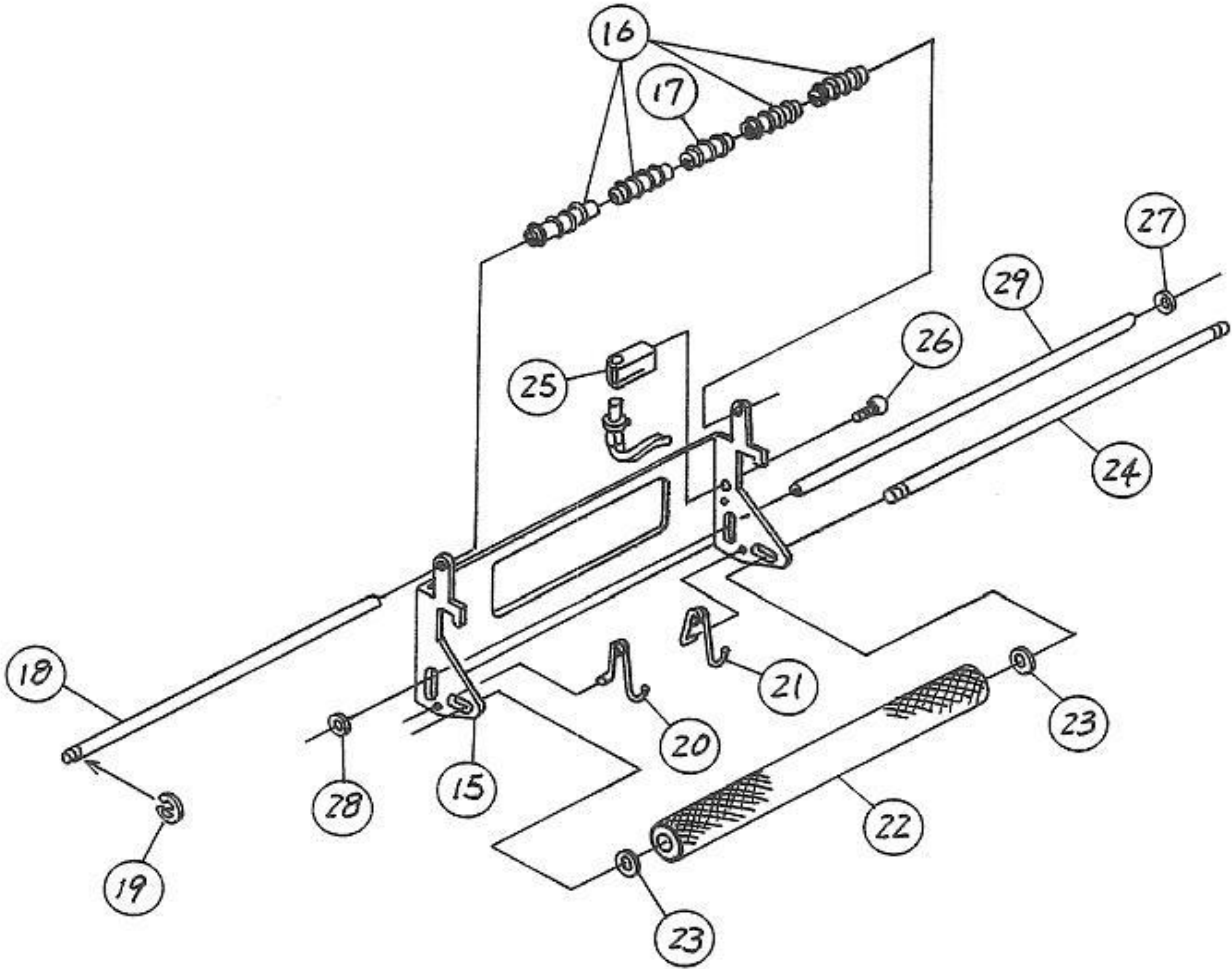
AssyName CUTTER UNIT

PR4680610(RV06-300)

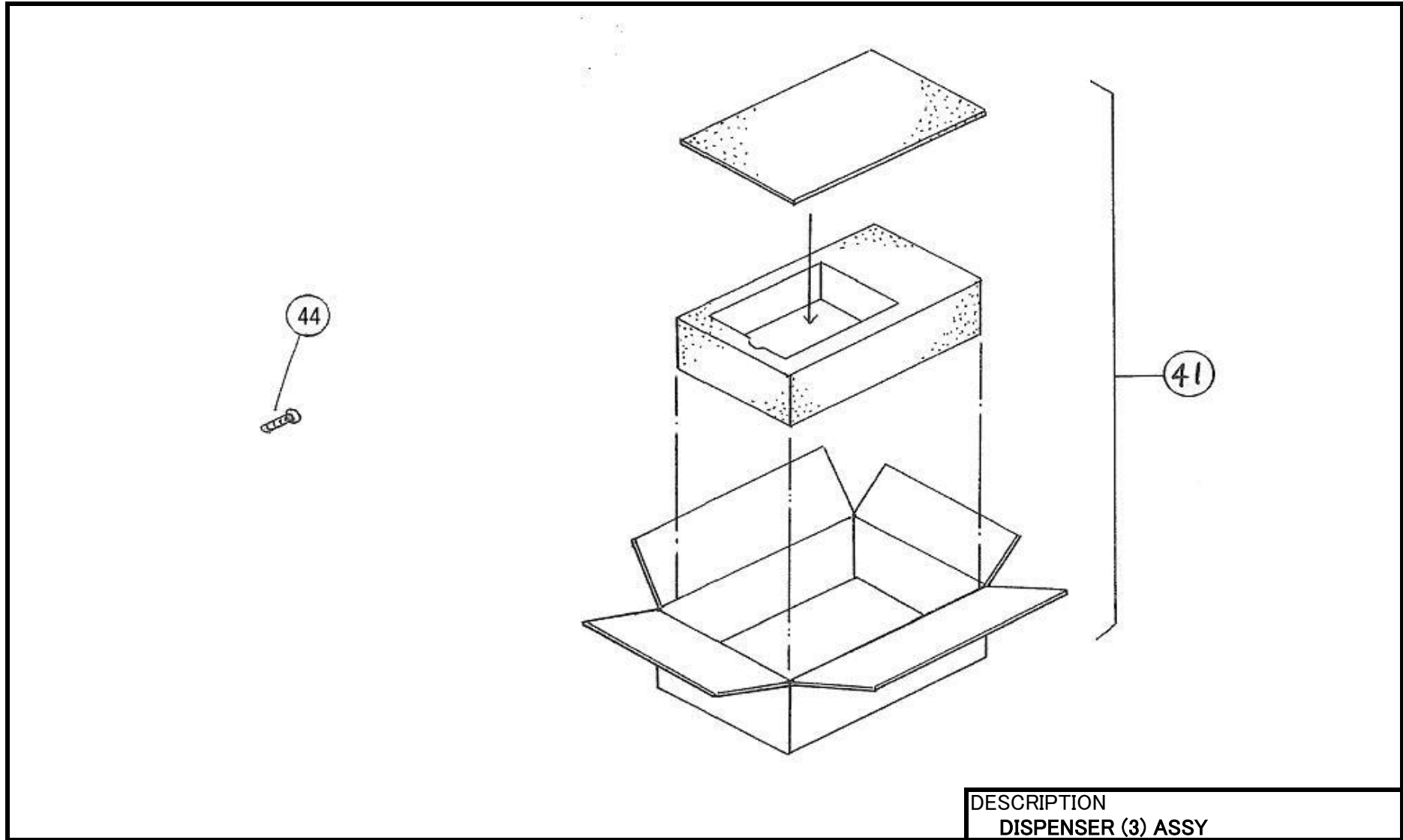
	First_Code	Description	Standard	NOTE
43	PE2680600	SPACER		
44	PR1691601	MOTOR PULLEY		
45	MJ1300424	HEX SOCKET SET SCREW		
46	PA3681400	GUIDE PLATE		
47	MD4300822	PAN HEAD SCREW+SW+WL		
48	MA1300822	FLAT HEAD SCREW		
49	RB0680200	DC MOTOR ASSY (MARUNI ASSEM)		
50	MD4300822	PAN HEAD SCREW+SW+WL		
51	RJ1683601	CUT PCB ASSY		
52	HD200031A	FUSE(3A)		
53	PE2680900	SPACER		
54	RH1745101	CUTTER CORD SET		
55	NA1030022	PLAIN WASHER		
56	NB0030022	SPRING WASHER		
57	MT1300522	HEXAGON NUT		
58	MA1300822	FLAT HEAD SCREW		
59	P05047020	CUTTER COVER		
60	MA1300822	FLAT HEAD SCREW		
61	MD4300622	PAN HEAD SCREW+SW+WL		
62	PA3684700	BRUSH BRACKET		
63	PR1340500	ANTI STATIC BRUSH		
64	MT1250422	HEX NUT		
65	MA1250622	FLAT HEAD SCREW		
66	MD0300622	PAN HEAD SCREW		
67	PA3683600	CUTTER PROTECT		
68	MD4300822	PAN HEAD SCREW+SW+WL		
69	P02562000	CENTER FRAME SUB(B)		
70	MD4300622	PAN HEAD SCREW+SW+WL		
71	PT3000100	HINGE		
72	MD4300822	PAN HEAD SCREW+SW+WL		
73	R01190000	CUTTER PACKING SET		
74	MJ1300424	HEX SOCKET SET SCREW		
75	QD9480100	CUTTER OIL (ONLY FOR CUTTER)		
76	PB2680800	THUMB SCREW		



DESCRIPTION
DISPENSER (1) ASSY



DESCRIPTION DISPENSER (2) ASSY



M-84Pro SERVICE PARTS LIST

AssyName DISPENSER ASSY

R01192010(RV06-027)

	First_Code	Description	Standard	NOTE
1	PR1680500	FRAME(L)		
2	JG100191A	WIRE STICKER		
3	PA3685100	CUTTER PLATE		
4	MD0300622	PAN HEAD SCREW		
5	PR0681900	FEED ROLLER		
6	PE2680400	BUSH		
7	PR1681800	FRAME(R)		
8	MD0300622	PAN HEAD SCREW		
9	PE6680300	FEED ROLLER GEAR		
10	ND0040030	E SNAP RING		
11	JG100011A	TIE WRAP		
12	PE1570300	DEMAND SENSOR BR		
13	MH0250621	PAN HEAD P TIGHT SCREW		
14	RH1681100	DISPENSE SENSOR CORD SET		
15	PA3685000	DISPENSE ROLLER BR		
16	PE1010201	DEMAND ROLLER		
17	PV0681100	DISPENSE ROLLER		
18	PB0685300	DISPENSE SAHFT		
19	ND0020030	E SNAP RING		
20	PC2680102	SPRING(R)		
21	PC2680101	SPRING(L)		
22	PB3680101	PRESSURE ROLLER		
23	PT2005006	DRY METAL		
24	PB0682201	PRESSURE ROLLER SHAFT		
25	PE1570300	DEMAND SENSOR BR		
26	MH0250621	PAN HEAD P TIGHT SCREW		
27	PB2681701	SPACER(B)		
28	PA0680601	SPACER(A)		
29	PB0682000	GUIDE SHAFT		
30	MD0301022	PAN HEAD SCREW		
31	PA3684900	PAPER GUIDE		
32	PB1680100	STAY		
33	MA1250622	FLAT HEAD SCREW		
34	MA1300622	FLAT HEAD SCREW		
35	PA0681300	SPACER		
36	PA2681900	DISPENSE PLATE		
37	PA1680400	NUT PLATE		
38	MA1300622	FLAT HEAD SCREW		
39	P02561000	DISPENSE COVER		
40	MD4300822	PAN HEAD SCREW+SW+WL		
41	R01193000	DISPENSER PACKING SET		
42	MD4300622	PAN HEAD SCREW+SW+WL		
44	MD4401022	PAN HEAD SCREW+SW+WL		
46	P12473000	SENSOR COVER		