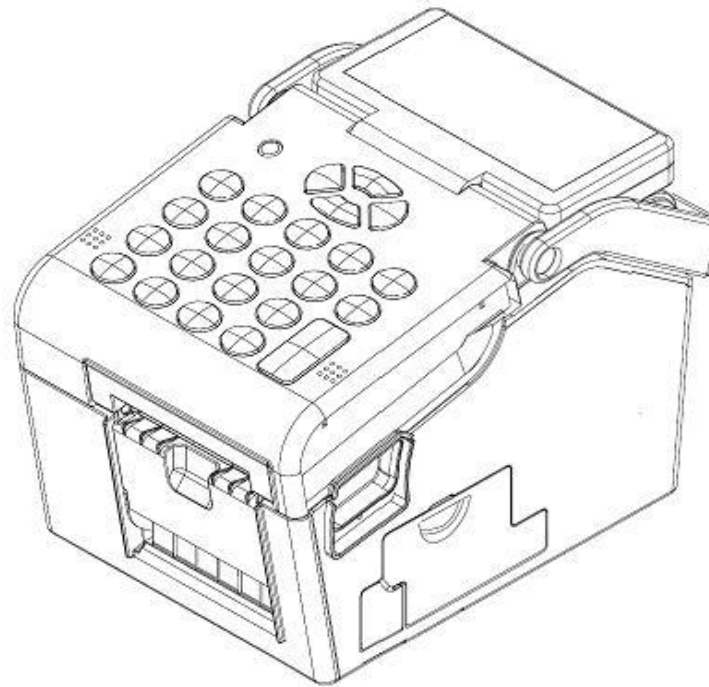


TH208 SERVICE PARTS LIST

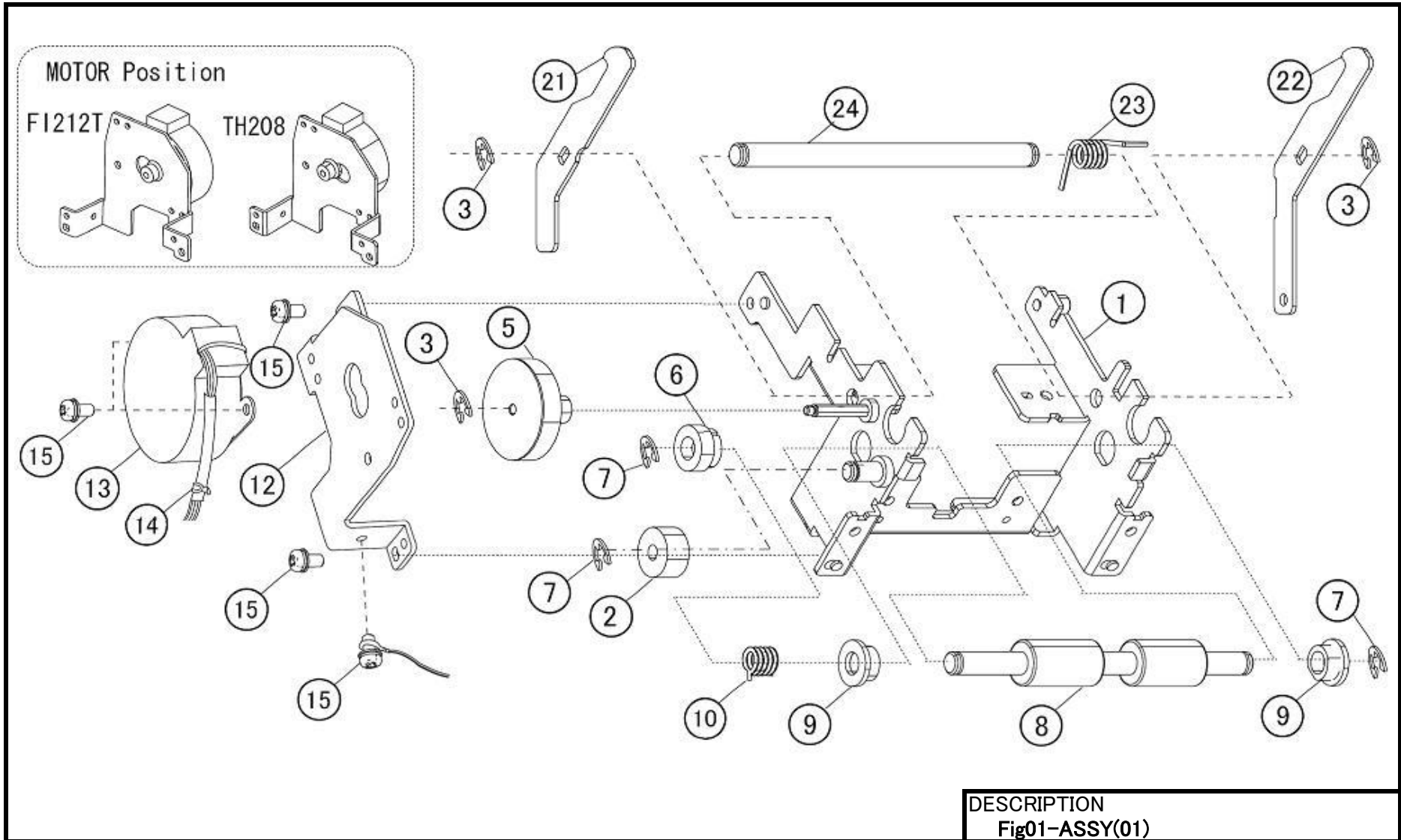


Create Date:

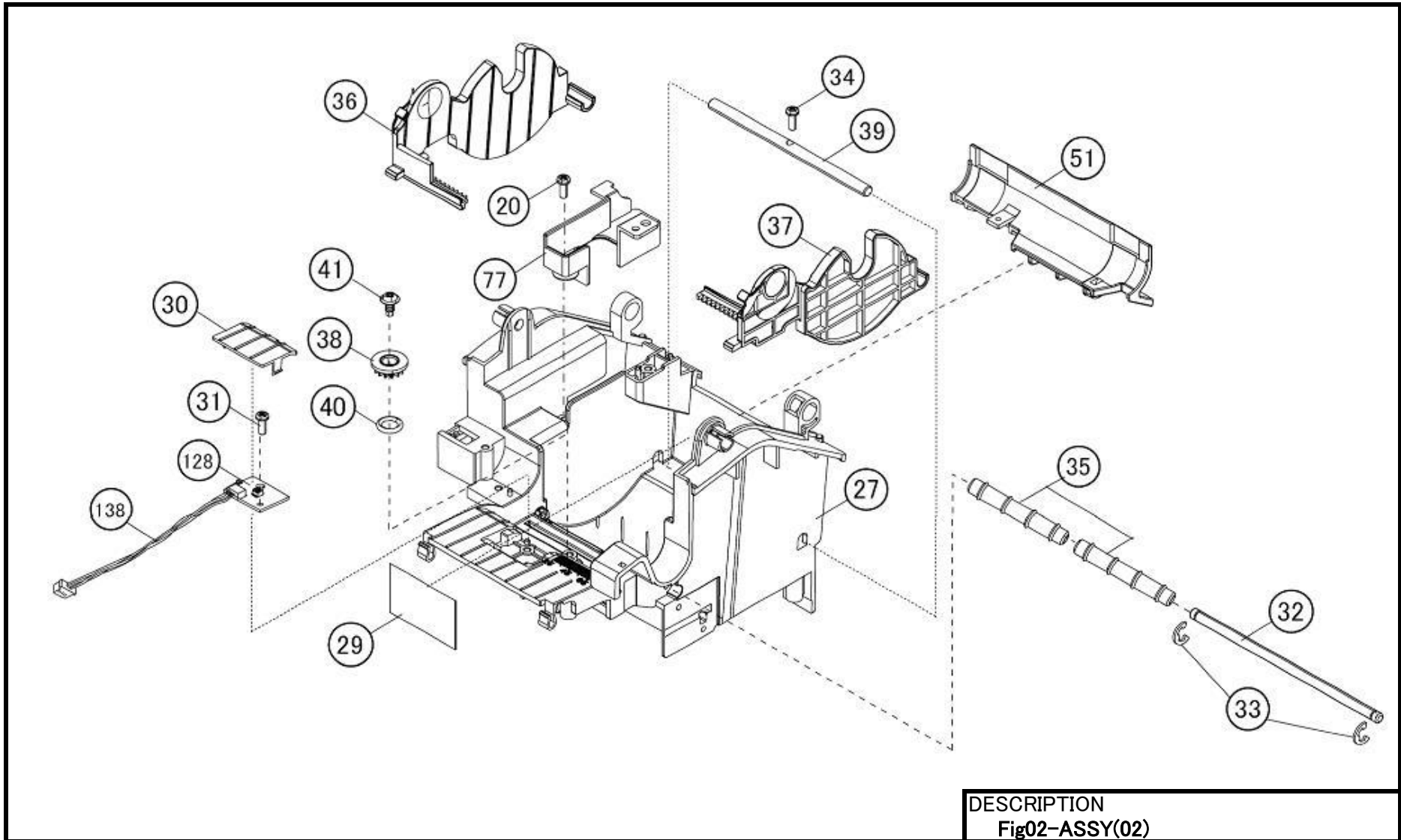
WWTH20021

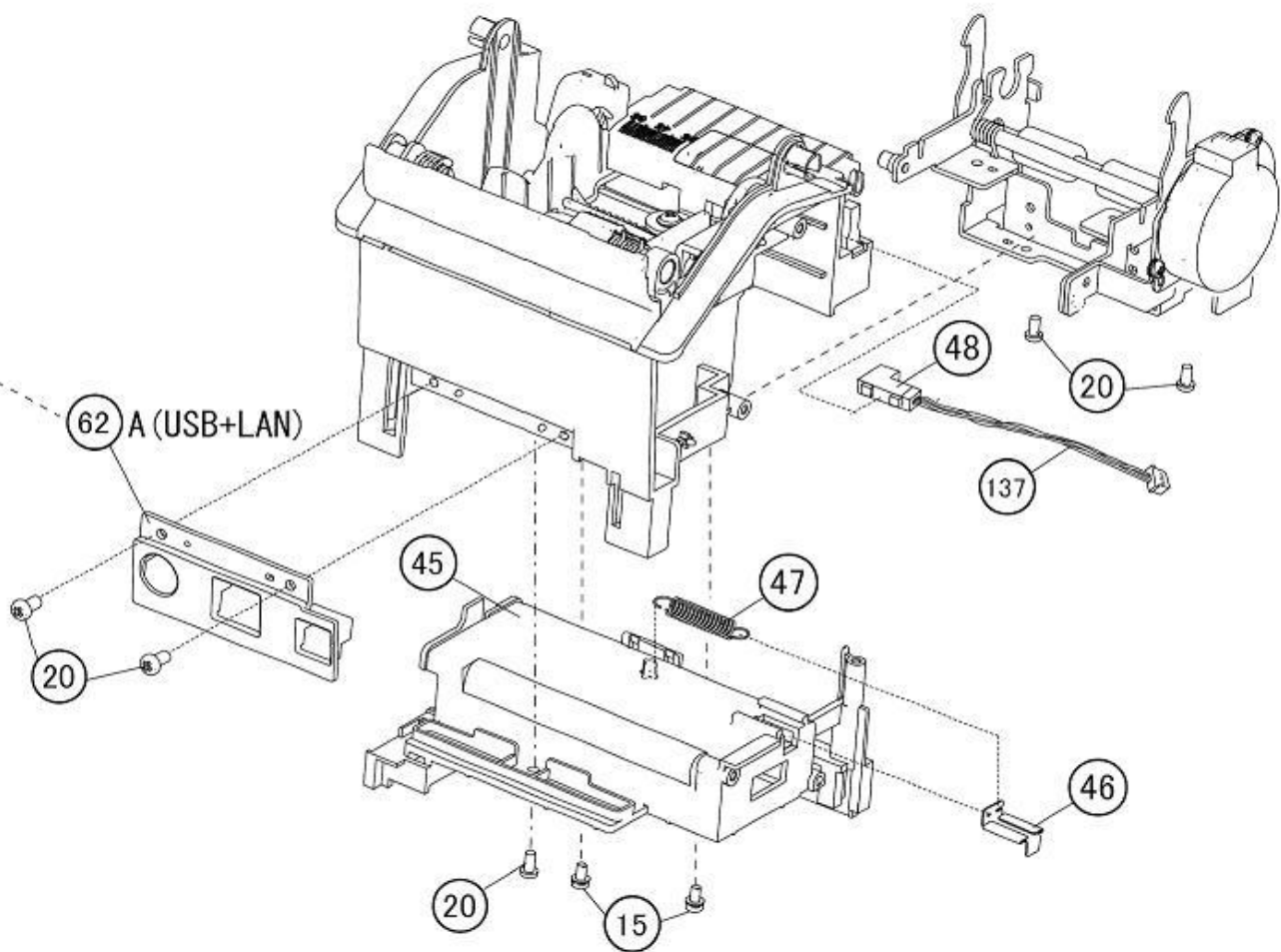
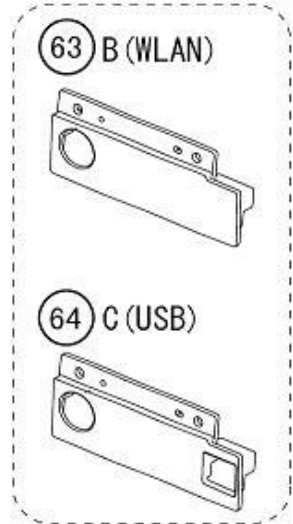
RV09-657

SATO CORPORATION . TOKYO. JAPAN

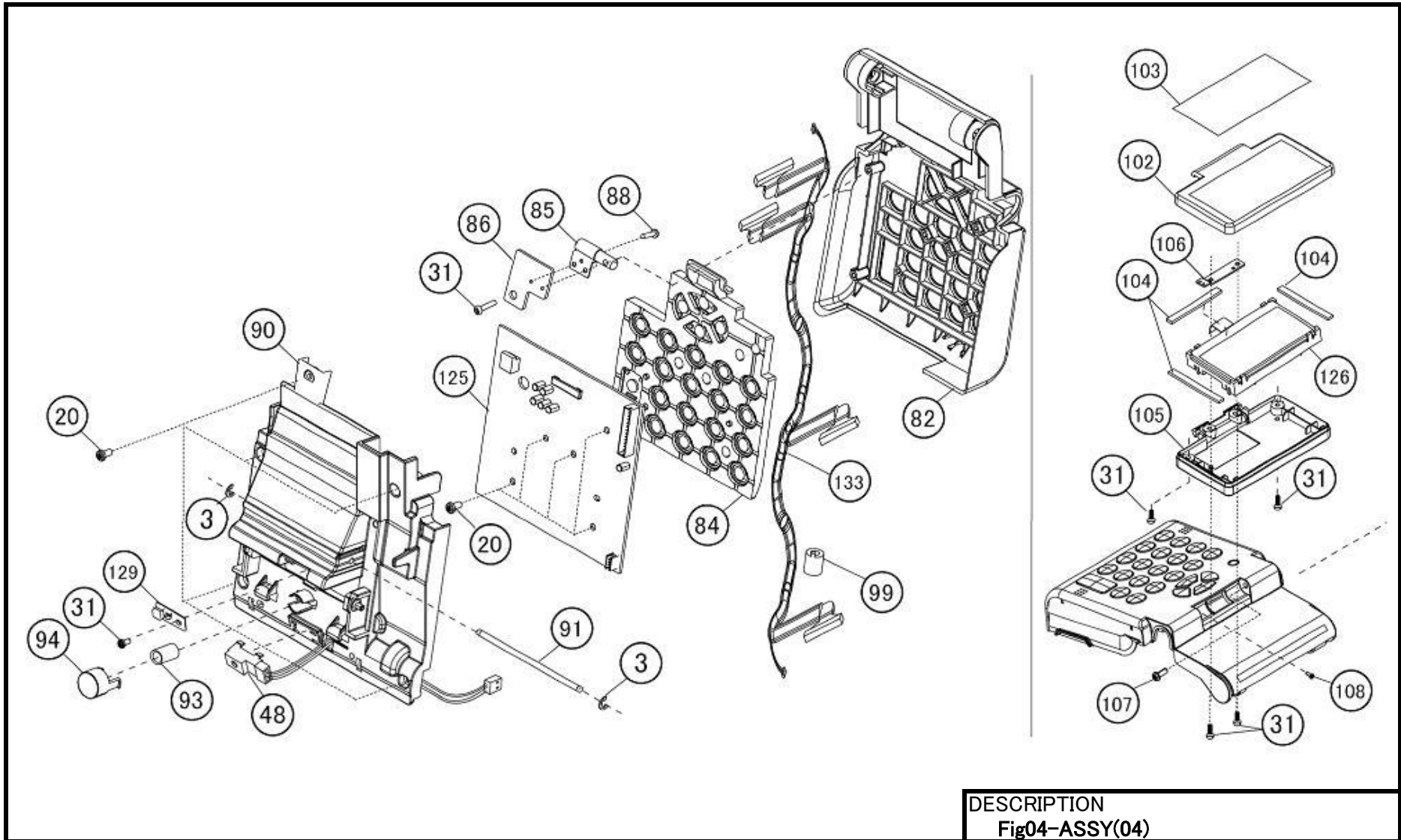


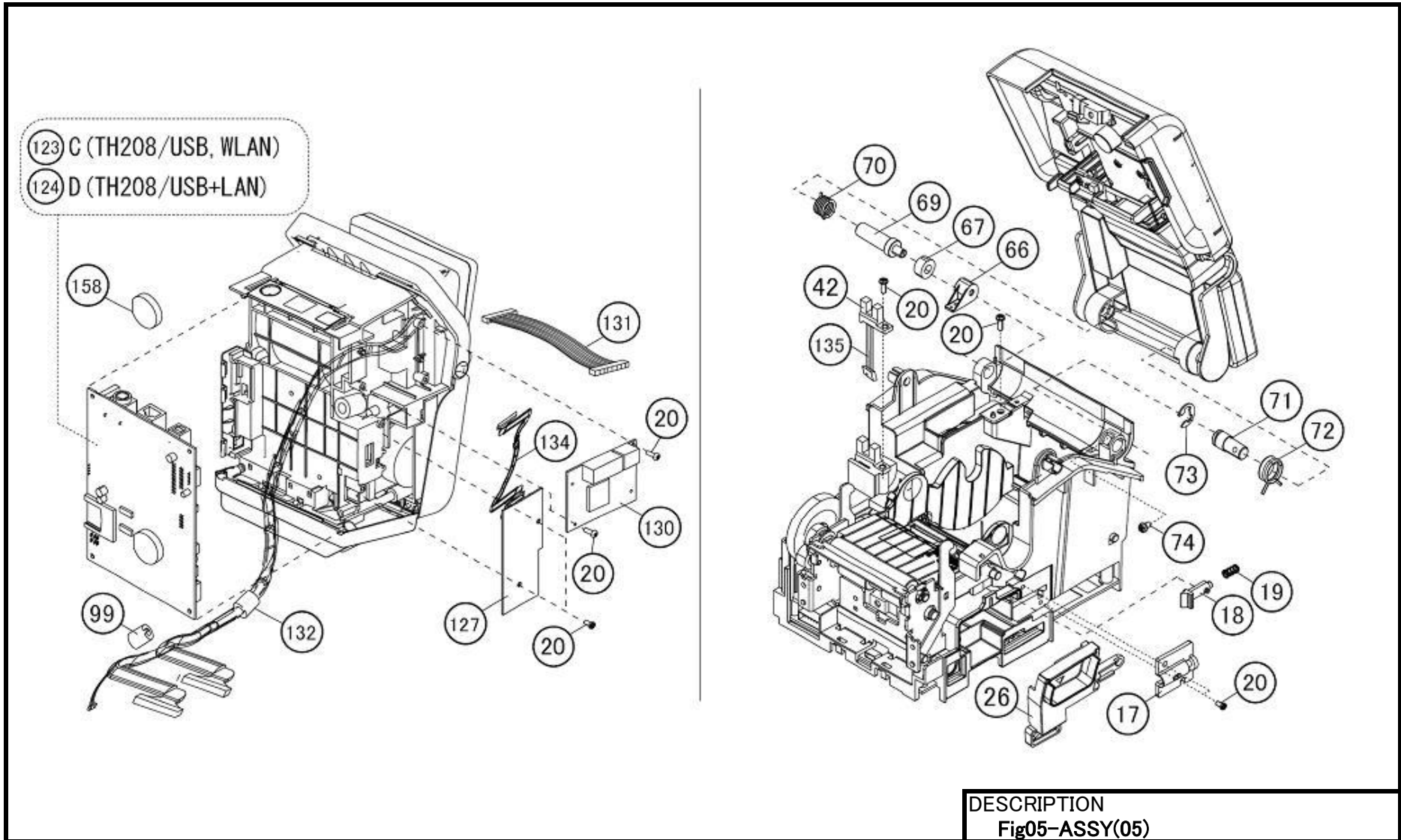
DESCRIPTION
Fig01-ASSY(01)

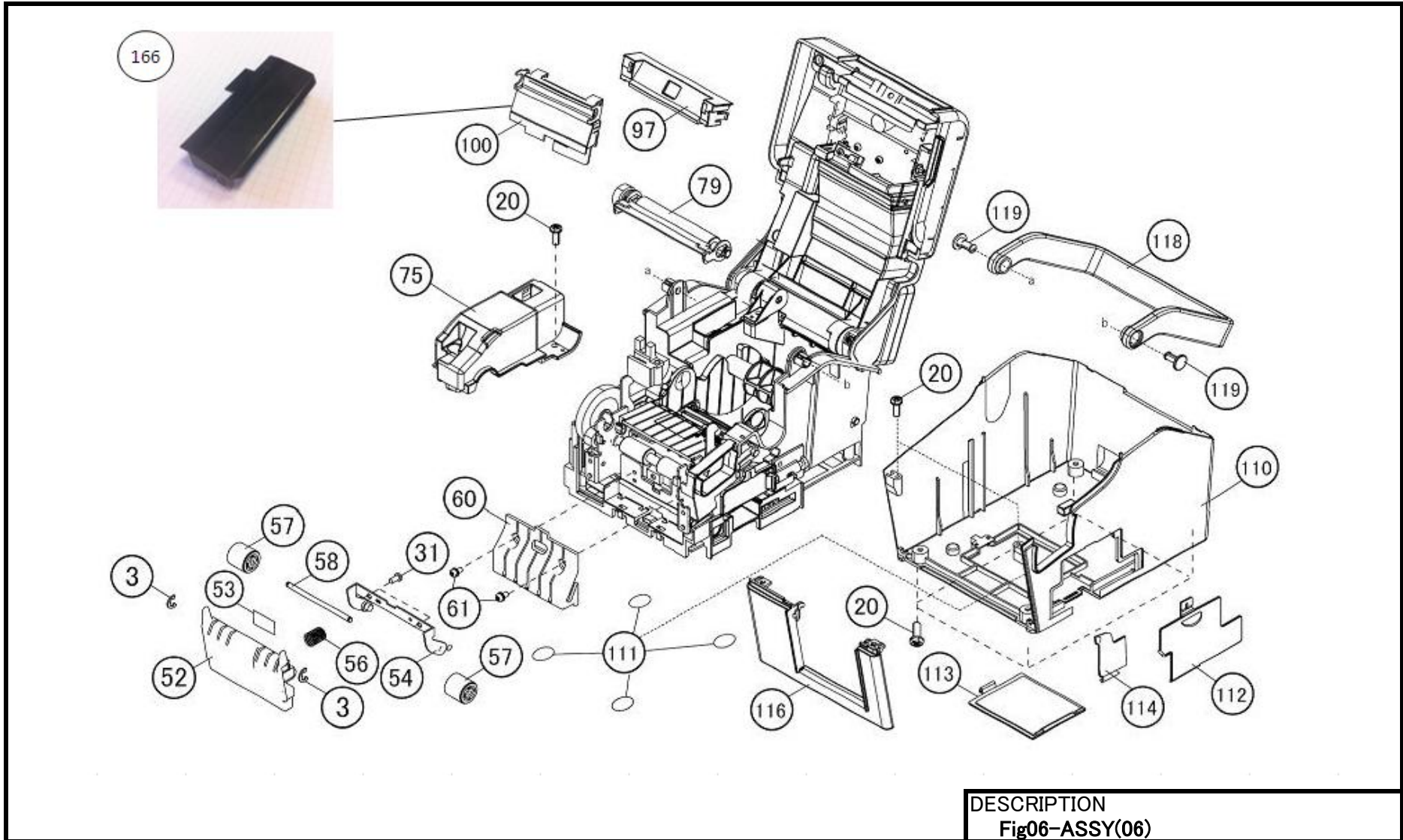


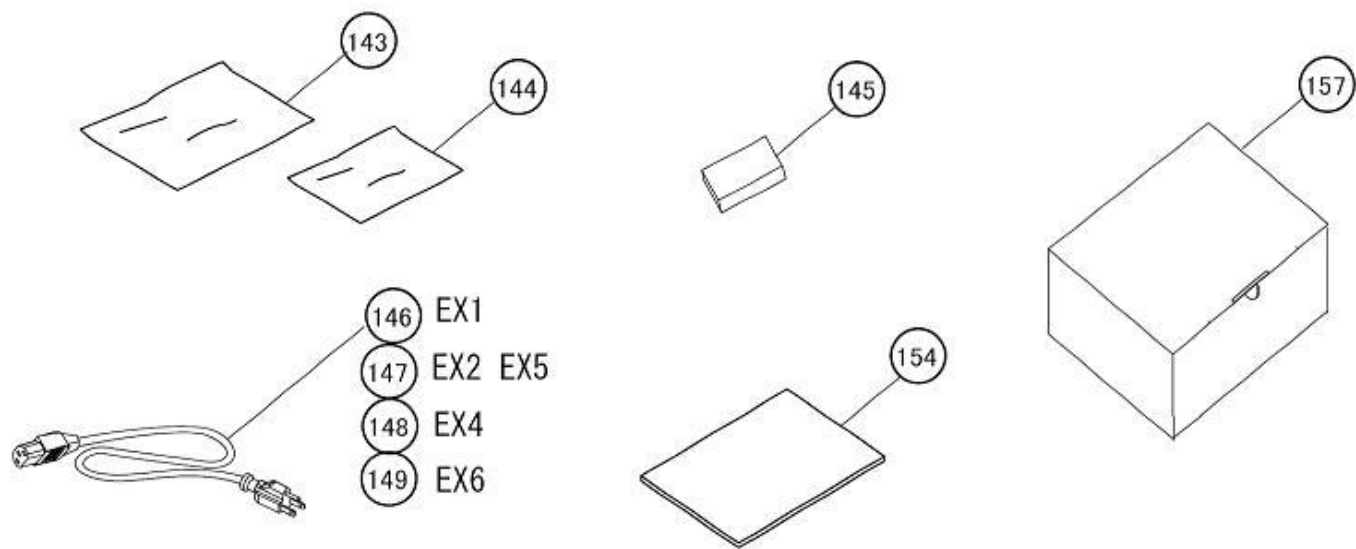


DESCRIPTION
Fig03-ASSY(03)









DESCRIPTION
Fig07-ASSY(07)

TH208 SERVICE PARTS LIST					DATE: 16 feb,2010
AssyName		ASSY			
No	First_Code	Description	Standard	Std_List Price	NOTE
1	R12491000	MAIN PLATE SET			Fig01
2	P28249000	IDLE GEAR			Fig01
3	ND0020030	E SNAP RING	E-2SU		Fig01,04,06
5	P28268000	GEAR(8)			Fig01
6	P28254000	DISPENSE ROLLER GEAR			Fig01
7	ND0040030	E SNAP RING	E-4SU		Fig01
8	P28596000	DISPENSE ROLLER			Fig01
9	PT2500100	BEAR FIGHT	B-F6-7		Fig01
10	PC2500302	SPRING(CLUTCH)			Fig01
12	P28175000	MOTOR PLATE			Fig01
13	K00272001	STEPPING MOTOR-LF	PM42S-048-ZPMOE		Fig01
14	JG100011A	TIE WRAP	SG-80		Fig01
15	MD3300622	PAN HEAD SCREW+SW+WS	2JP3006+SW+WS		Fig01,03
17	P30875001	BATTERY STOPPER HOLDER			Fig05
18	P30876001	BATTERY STOPPER			Fig05
19	P28514001	BATTERY STOPPER SPRING			Fig05
20	MH0300822	PAN HEAD P TIGHT SCREW	PTP3008NI		Fig02,03,04,05,06
21	P28196010	LATCH HANDLE L			Fig01
22	R12495010	LATCH HANDLE R SET			Fig01
23	P28516000	OPEN LEVER SPRING			Fig01
24	P28155020	SHAFT(LATCH HANDLE)			Fig01
26	P30871020	OPEN BUTTON			Fig05
27	R14591020	BOTTOM FRAME A(COAT)			Fig02
29	Q02566000	ROUTE STICKER(ITN)	111*		Fig02
30	R15845000	IM SENSOR COVER(COAT)			Fig02
31	MH0300622	PAN HEAD P TIGHT SCREW	PTP3006NI		Fig02,04,06
32	P30880000	LABEL SUPPORT SHAFT			Fig02
33	ND0015030	PB3 Z E-RING (1.5)	E-1.5(ｽﾌﾟﾘﾝｸﾞ)		Fig02
34	MA0300822	PAN HEAD SCREW	2JP3008		Fig02
35	PE3520600	DISPENSE ROLLER			Fig02
36	R14592010	LABEL GUIDE L(COAT)			Fig02
37	R14593010	LABEL GUIDE R(COAT)			Fig02
38	PJ0A20500	GEAR(L.GUIDE)			Fig02
39	P28181010	LABEL GUIDE SHAFT			Fig02
40	P21801000	O-RING	P-7(1ｼﾞ1A)		Fig02
41	MH9300822	PAN HEAD P TIGHT SCREW	PTT3008NI		Fig02
42	F00177000	PHOTO INTERRUPTER -LF	OJ-451-N23		Fig05/Recommended Spare parts
45	P30868020	BOTTOM FRAME B			Fig03
46	P28171000	BATTERY SPRING			Fig03
47	P30879001	BATTERY SUPPORT SPRING			Fig03
48	F00407000	PHOTO INTERRUPTER -LF	GP2A231LRSF		Fig03,04/Recommended Spare parts
51	P28195030	BOTTOM FRAME C			Fig02
52	P28192040	DISPENSE FRAME			Fig06
53	P34676001	DISPENSE SHEET			Fig06
54	R12493000	DISPENSE BR SET			Fig06
56	PC1500200	SPRING(PRESSURE)			Fig06

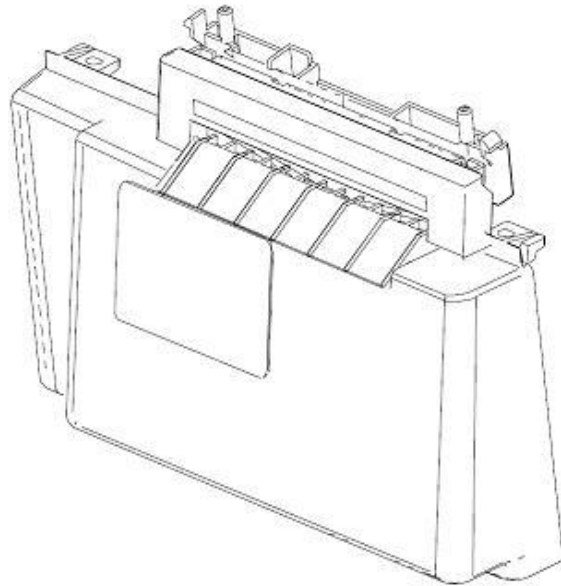
TH208 SERVICE PARTS LIST					DATE: 16 feb,2010
AssyName		ASSY			
No	First_Code	Description	Standard	Std_List Price	NOTE
57	P08132000	SILICONE ROLLER			Fig06
58	P29414000	SHAFT(PRESSURE)			Fig06
60	P30866001	PAPER GUIDE			Fig06
61	MA0300422	PAN HEAD SCREW	2JP3004		Fig06
62	P30872010	CONNECTOR PANEL A			Fig02
63	P30872110	CONNECTOR PANEL B			Fig02
64	P30872210	CONNECTOR PANEL C			Fig02
66	P30877001	HOUSING(CLUTCH)			Fig05
67	P11471000	CLUTCH	OWC 511GXRZ		Fig05
69	P28157010	HINGE SHAFT L			Fig05
70	P10301030	SPRING (HINGE)			Fig05
71	P28170010	HINGE SHAFT R			Fig05
72	P28515010	SPRING(DAMPER)			Fig05
73	ND0070022	E SNAP RING	E-7		Fig05
74	MA0300622	PAN HEAD SCREW	2JP3006		Fig05
75	P30862020	GEAR COVER			Fig06
77	P30863001	CABLE COVER			Fig02
79	R13531030	PLATEN ROLLER SAB TH208			Fig06/Recommended Spare parts
82	R15154010	TOP COVER(SILK)ITN			Fig04
84	Q02477000	KEY PAD(ITN)			Fig04
85	P30853000	HINGE(LCD)	ST010A0		Fig04
86	P28149010	HINGE PLATE(COVER)			Fig04
88	M16256000	PAN HEAD SCREW	OLP1.6*6NI		Fig04
90	R13636070	TOP FRAME SET			Fig04
91	P28151000	HEAD SHAFT			Fig04
93	P28156010	HEAD SPRING			Fig04
94	P30851011	HEAD SPRING COVER			Fig04
97	P30852020	DIS SENSOR COVER			Fig06
99	HJ100201A	FERRITE CORES	ZCAT1518-0730		Fig04,05
100	R14565030	PRINT HEAD (8 DPMM) HT208			Fig06/Recommended Spare parts
102	P30854030	LCD TOP CASE			Fig04
103	R14739030	LCD COVER			Fig04
104	P28154010	LCD CUSHION			Fig04
105	P30855030	LCD BOTTOM CASE			Fig04
106	P30857010	HINGE PLATE(LCD)			Fig04
107	P28518000	LCD SHAFT			Fig04
108	MA0200822	PAN HEAD SCREW	2JP2008		Fig04
110	R13527020	BOTTOM COVER SET			Fig06
111	P27811000	RUBBER FOOT	SJ-1902CJ3		Fig06
112	P30860030	BATTERY COVER			Fig06
113	P30861001	IC COVER	(replacement for R15919000)		Fig06
114	P34202020	SCANNER CONECTOR COVER			Fig06
116	P28272020	FRONT COVER			Fig06
118	P30864011	HANDLE			Fig06
119	P28517010	HANDLE PIN			Fig06
123	R13677003	MAIN PCB (USB) TH208			Fig05/Recommended Spare parts

TH208 SERVICE PARTS LIST					DATE: 16 feb,2010
AssyName		ASSY			
No	First_Code	Description	Standard	Std_List Price	NOTE
124	R13678010	MAIN PCB (USB+LAN) TH208			Fig05/Recommended Spare parts
125	R13679000	KEY PCB SET-LF			Fig04/Recommended Spare parts
126	R13680000	LCD SUB ASSY-LF			Fig04/Recommended Spare parts
127	R13682000	CHG PCB SET-LF			Fig05/Recommended Spare parts
128	R13683000	IM+GAP PCB SET-LF			Fig02/Recommended Spare parts
129	R13684000	GAP PCB SET-LF			Fig04/Recommended Spare parts
130	R14848000	WLAN ASSY-LF			Fig05
131	R13695010	WLAN CABLE ASSY-LF			Fig05
132	KA200541A	FERRITE CORE	SFC-3		Fig05
133	R13686000	TOP CABLE ASSY-LF			Fig04
134	R13689000	BATTERY CABLE ASSY-LF			Fig05
135	R13690000	COVER CABLE ASSY-LF			Fig05
136	R13691000	DISPENSER CABLE ASSY-LF			Fig04
137	R13692001	MODE CABLE ASSY-LF			Fig03
138	R13693000	IM+GAP CABLE ASSY-LF			Fig02
143	QB2042336	CUSHION	0.04*228.6*355.6		Fig07
144	Q01721000	POLY BAG(500*120*0.05)			Fig07
145	K00294010	AC ADAPTOR-LF	PAH7020		Fig07
146	JH000441A	AC CABLE(1-)	VM0233-VM0089-1M		Fig07
147	JH000451A	AC POWER CORD ASSY	VM0303B-VM0306B-1M(7口)		Fig07
148	H00364001	POWER CODE	KP722 KS-31A 227IEC53 3X1.00 1.0M 7口		Fig07
149	H01563000	POWER CORD-LF	INQ.2430(1)		Fig07
154	Q02544000	QUICK GUIDE			Fig07
157	Q02540101	PACKING SET-TH208			Fig07
158	K00295000	COIN TYPE LI BATTERY-LF	CR-2032L/NB->CR-2032N/BN		Fig05/Recommended Spare parts
159	MH0200622	PAN HEAD P TITE SCREW	PTP2006NI		
160	P28143010	GUIDE CORE			
161	MD4200622	PAN HEAD SCREW+SW+WL	2JP2006+SW+WL		
162	R13416010	WALL-MOUNTED BR			
163	P30671010	JOINT PLATE			
164	Q02968101	PACKING SET-TH208(V)			
165	Q03029000	CAUTION LABEL(JPN)			
166	R15824011	HEAD COVER(COAT)			

DATE: 15 apr, 2010



TH208 CUTTER KIT SERVICE PARTS LIST

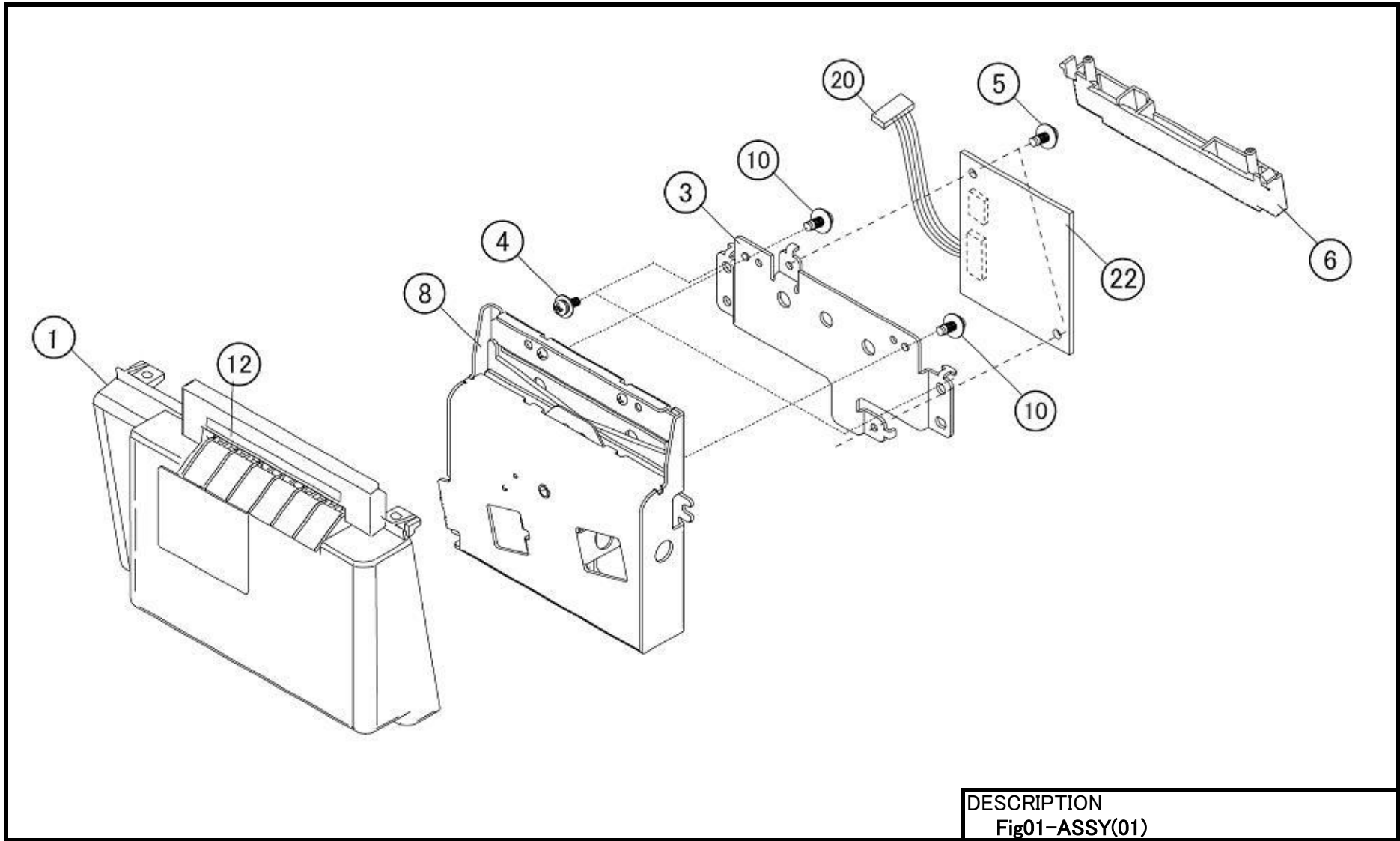


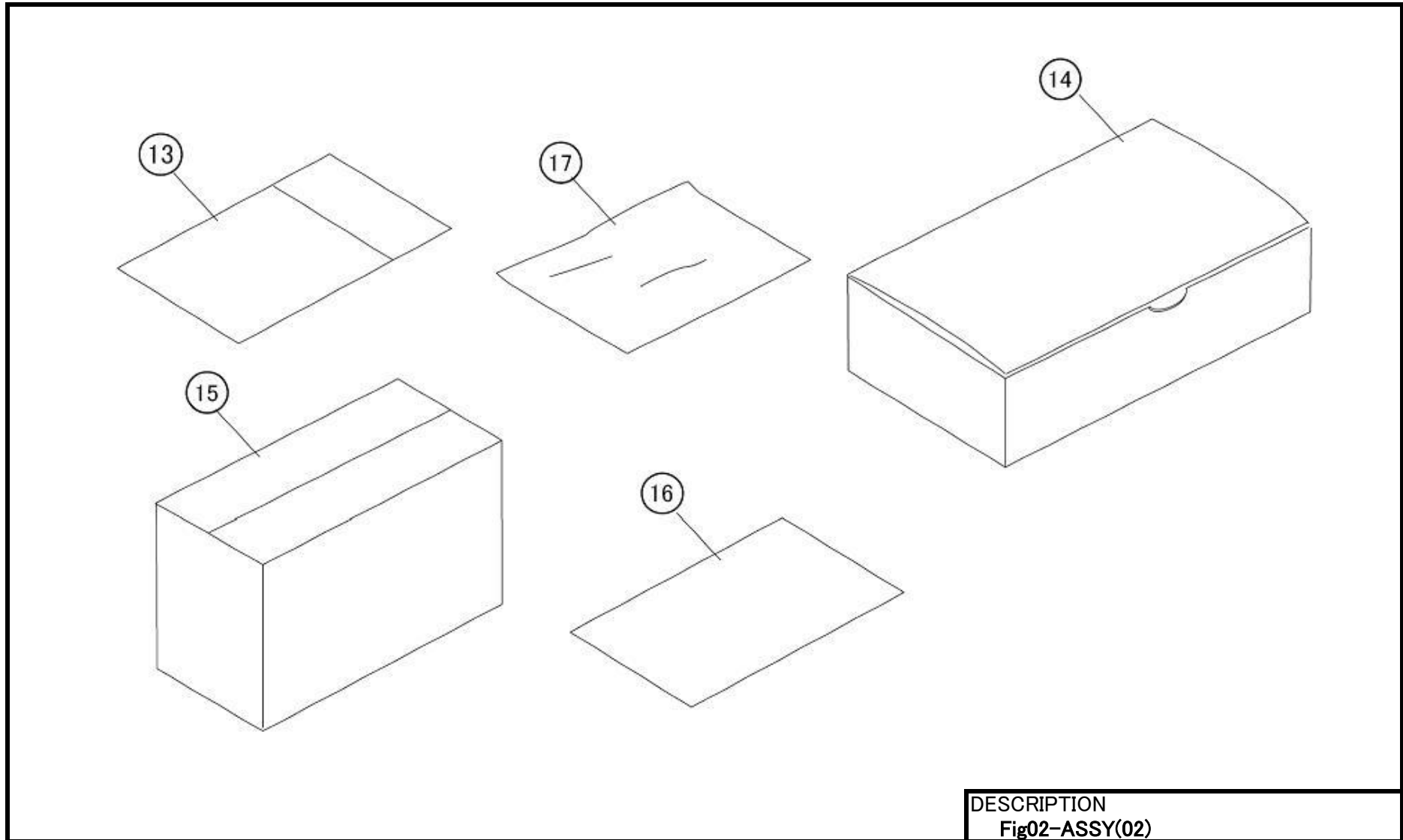
Create Date:

WWTH25100

RV08-523

SATO CORPORATION . TOKYO. JAPAN





TH208 CUTTER KIT SERVICE PARTS LIST					DATE: 15 apr,2010
AssyName		ASSY			
No	First_Code	Description	Standard	Std_List Price	NOTE
1	P30878010	CUTTER COVER			Fig01
3	P28148000	CUTTER BR			Fig01
4	MD3300622	PAN HEAD SCREW+SW+WS	2JP3006+SW+WS		Fig01
5	MD4250522	PAN HEAD SCREW+SW+WL	2JP2505+SW+WL		Fig01
6	P28185010	HEAD STOPPER			Fig01
8	R13447000	CUTTER UNIT	ORC-RTB60		Fig01/Recommended Spare parts
10	MD4200622	PAN HEAD SCREW+SW+WL	2JP2006+SW+WL		Fig01
12	Q02501000	CAUTION STICKER(CUTTER)			Fig01
13	Q02749000	AIR PACKING BAG			Fig02
14	QA0A20301	P.CASE(OPTION)	ER400-7010-01		Fig02
15	QA0A20201	P.CASE(OPTION20)	ER400-7009-01		Fig02
16	QA0A20400	CARTON PAD	ER400-7014-00		Fig02
17	Q00005000	POLY BAG	0.03*80*150		Fig02
20	R13696000	CUTTER CABLE ASSY-LF			Fig01
22	R13685000	CUT PCB SET-LF			Fig01/Recommended Spare parts