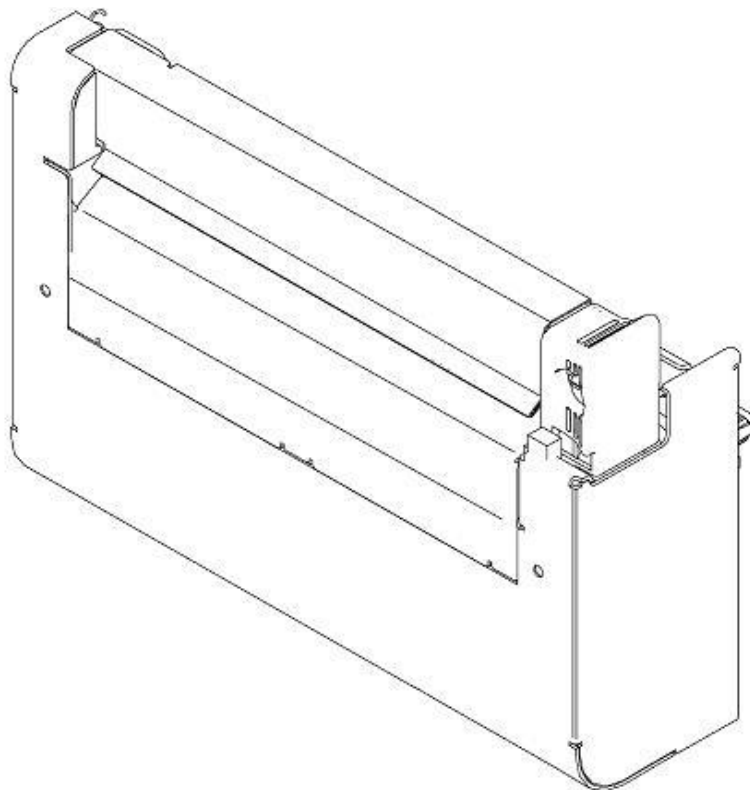


DATE: 21 May, 2014



CUTTER KIT(CL4NX) SERVICE PARTS LIST

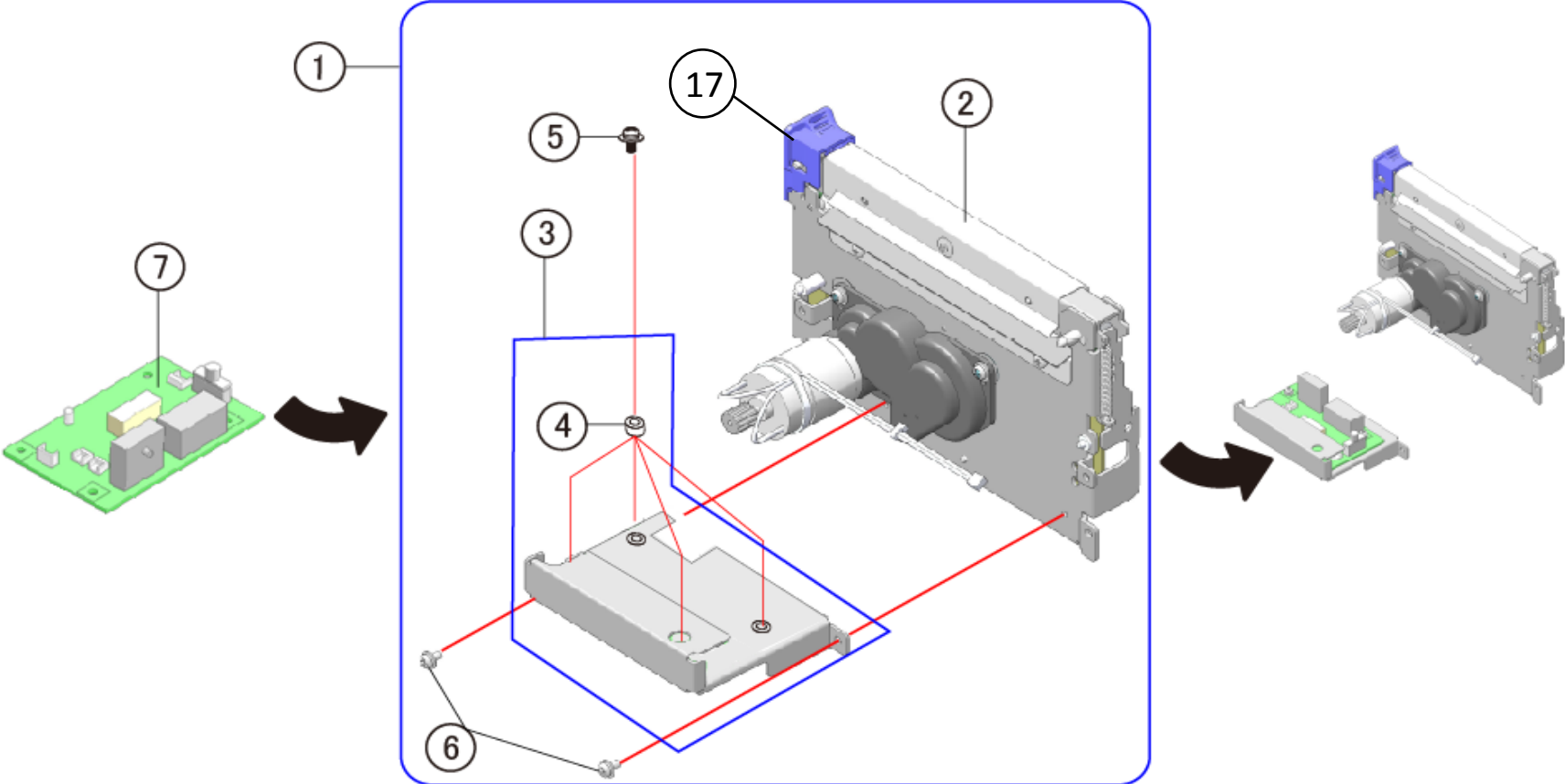


Create Date:

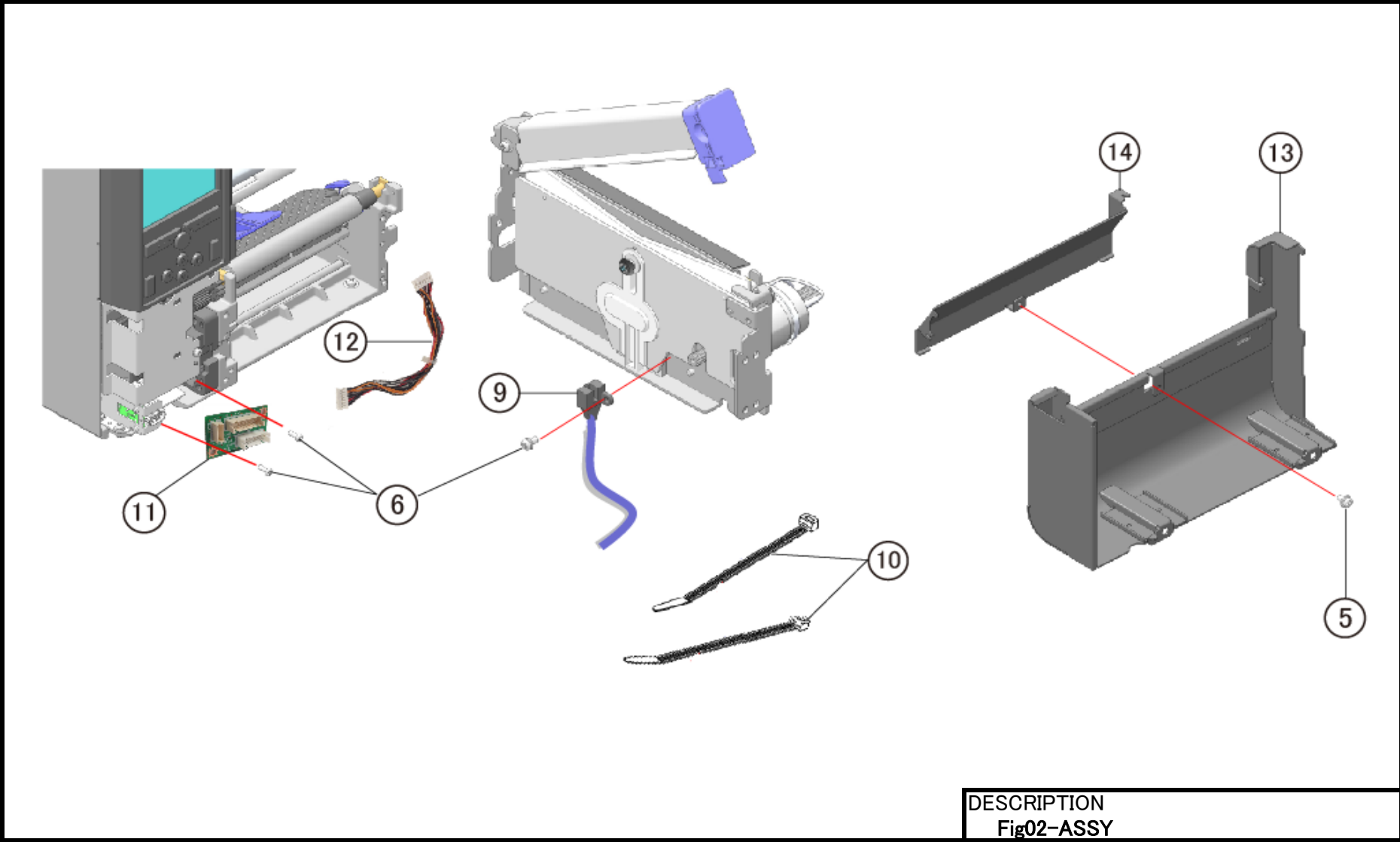
WWGL05100

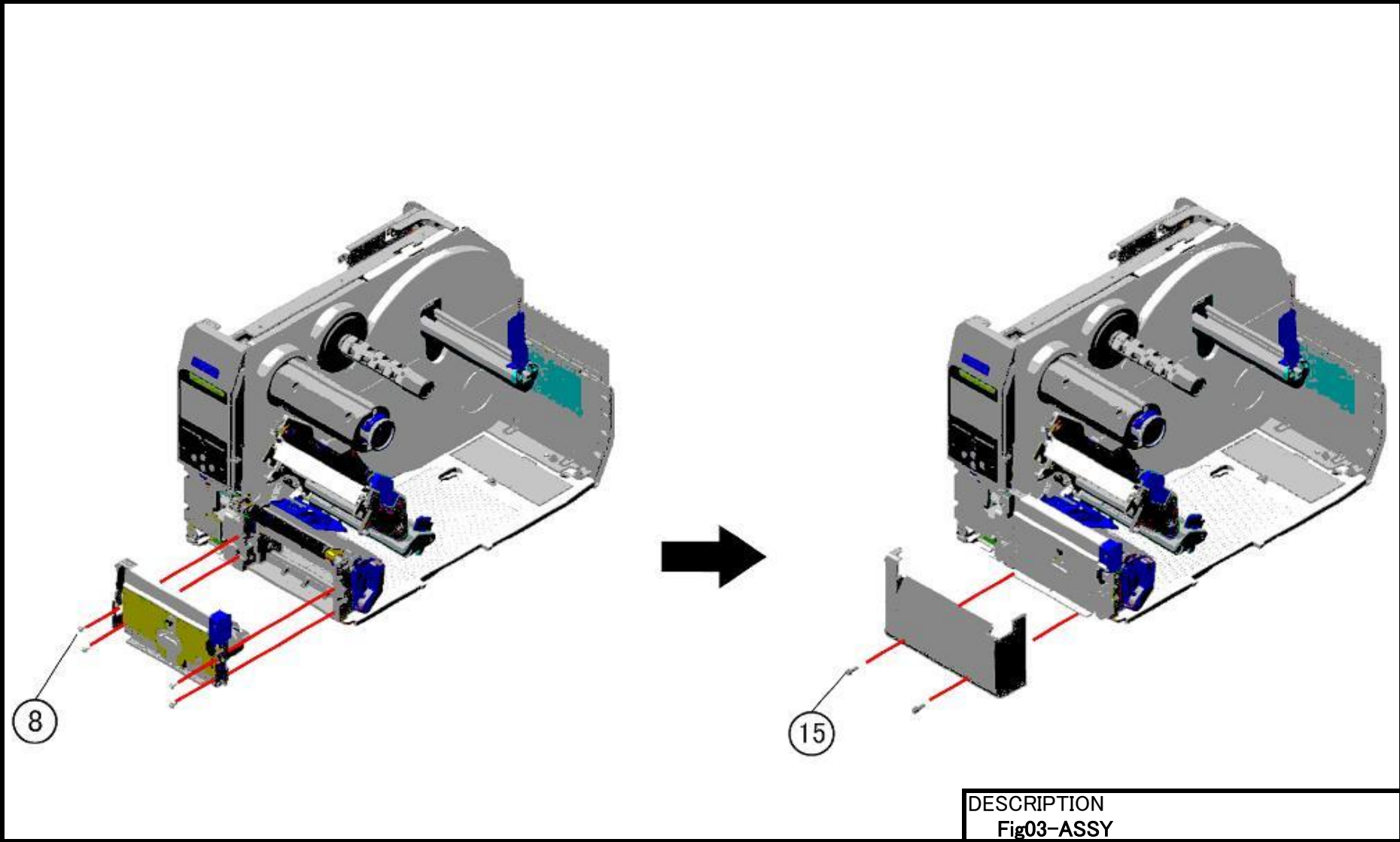
RV13-540

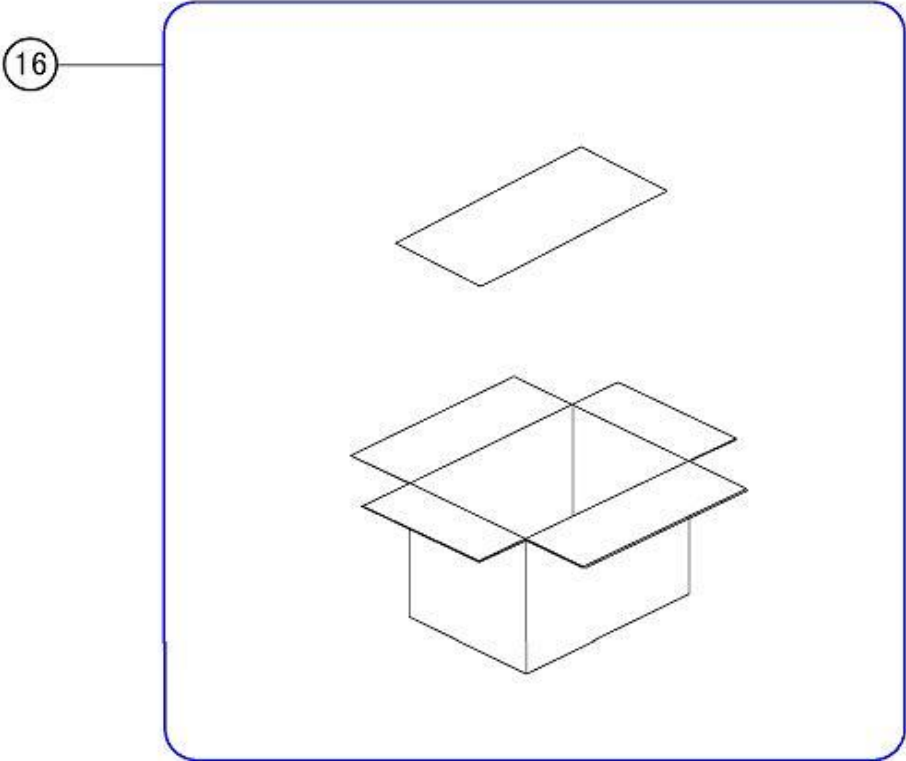
SATO CORPORATION . TOKYO. JAPAN



DESCRIPTION
Fig01-ASSY







DESCRIPTION Fig04-ASSY

CUTTER KIT(CL4NX) SERVICE PARTS LIST

DATE: 21 May, 2014

AssyName		ASSY					
NO	First_Code	Parts_No (REV_NO)	Description	Standard	Min Order		NOTE
1	R30428000	R30428000	CUTTER (CL4NX) 0 S/A		1		Fig01
2	P55553000	P55553000	CUTTER (CL4NX) 0		1		Fig01
3	P54802000	P54802000	CT PCB BR		1		Fig01
4	P24161000	P24161000	SPACER (M3*L5)		1		Fig01
5	MD4300622	MD4300622	PAN HEAD SCREW+SW+WL		1		Fig01, 02
6	MD3300622	MD3300622	PAN HEAD SCREW+SW+WS		1		Fig01, 02
7	R29124000	R29124000	CL4NX CUT PCB ASSY -LF		1		Fig01/Recommended Spare parts
8	MD3300822	MD3300822	PAN HEAD SCREW+SW+WS		1		Fig03
9	R30393000	R30393000	CUTTER COVER OPEN CABLE SET-LF		1		Fig02/Recommended Spare parts
10	JG100011A	JG100011A	TIE WRAP		1		Fig02
11	R29115000	R29115000	RELAY PCB ASSY-LF		1		Fig02/Recommended Spare parts
12	R28591000	R28591000	CUTTER CABLE SET-LF		1		Fig02/Recommended Spare parts
13	R29517000	R29517000	CT FRONT COVER SET		1		Fig02
14	P54803000	P54803000	CT FORNT COVER (STD)		1		Fig02
15	MD3401028	MD3401028	PAN HEAD SCREW+SW+WS		1		Fig03
16	Q00973000	Q00973000	PACKING SET (CT)		1		Fig04
17	P56682200	P56682200	CUTTER OPEN LEVER		1		Fig01

CUTTER KIT (CL4NX) SERVICE PARTS LIST

DATE: 21 May, 2014

AssyName		ASSY					
NO	First_Code	Parts_No (REV. NO)	Description	Standard	Min Order		NOTE