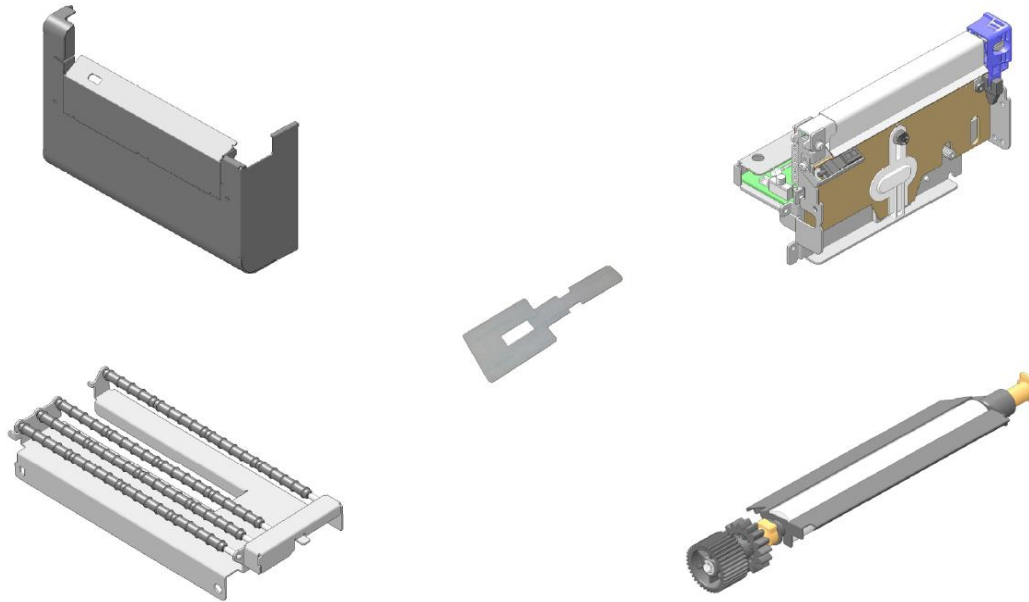




LINERLESS KIT(CL4NX) SERVICE PARTS LIST

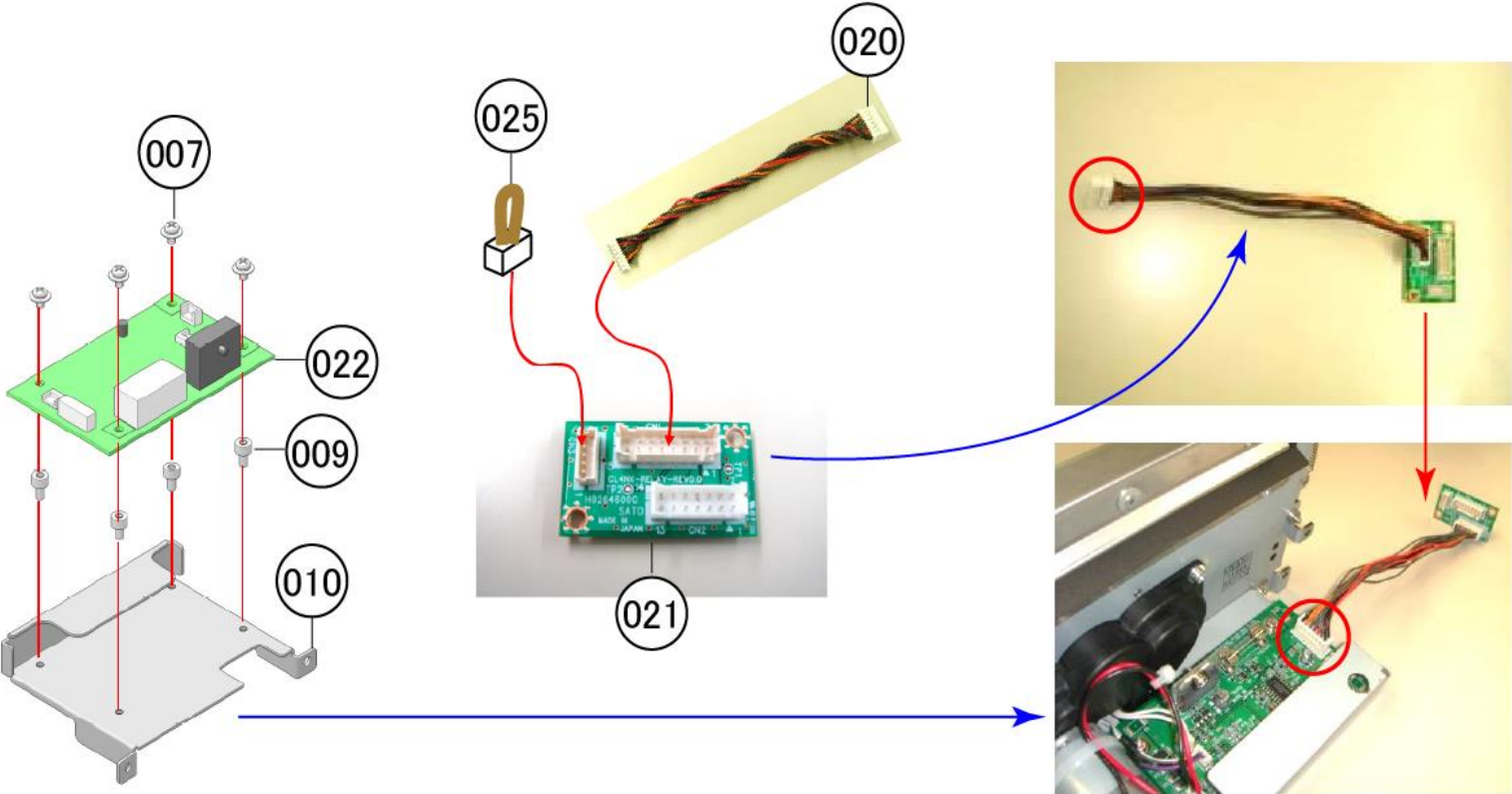


Create Date:

WWCL05110

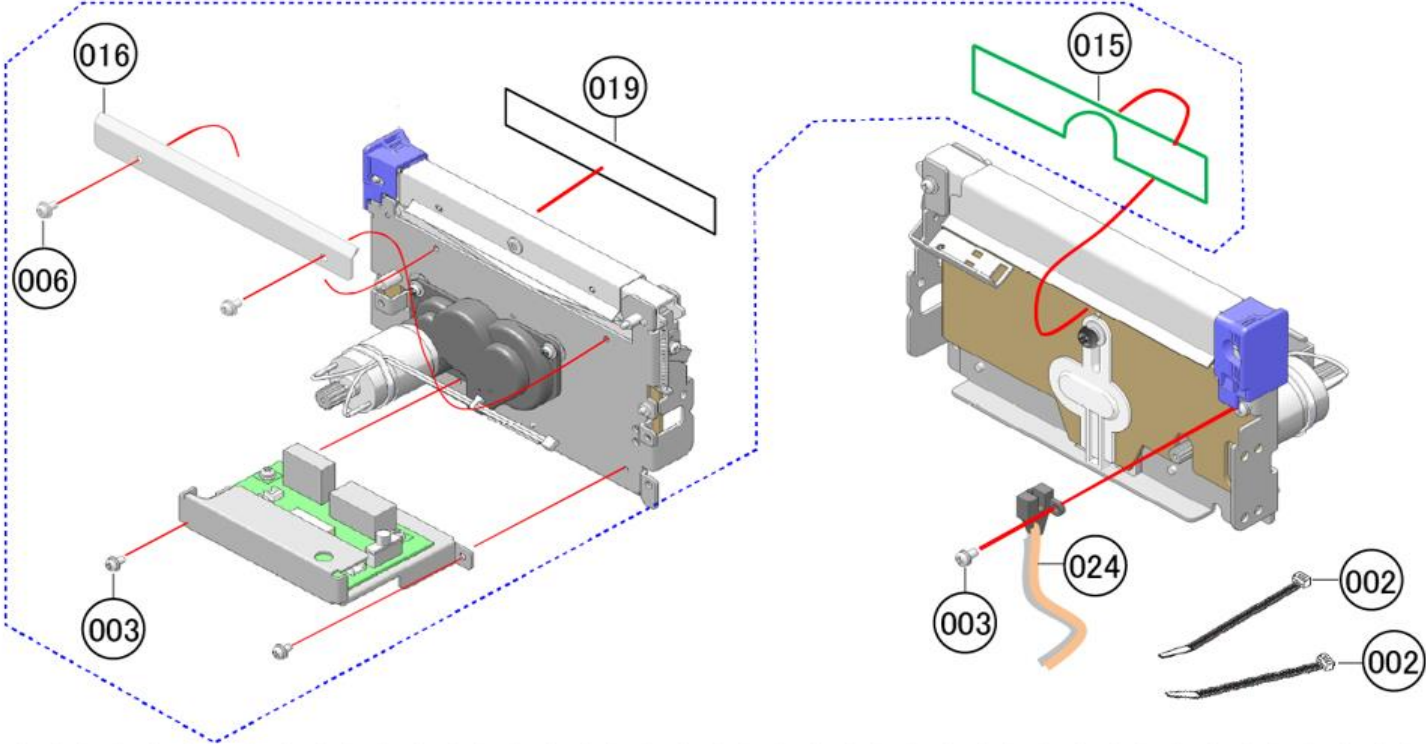
RV01201

SATO CORPORATION . TOKYO. JAPAN



DESCRIPTION
Fig01-CUTTER PCB

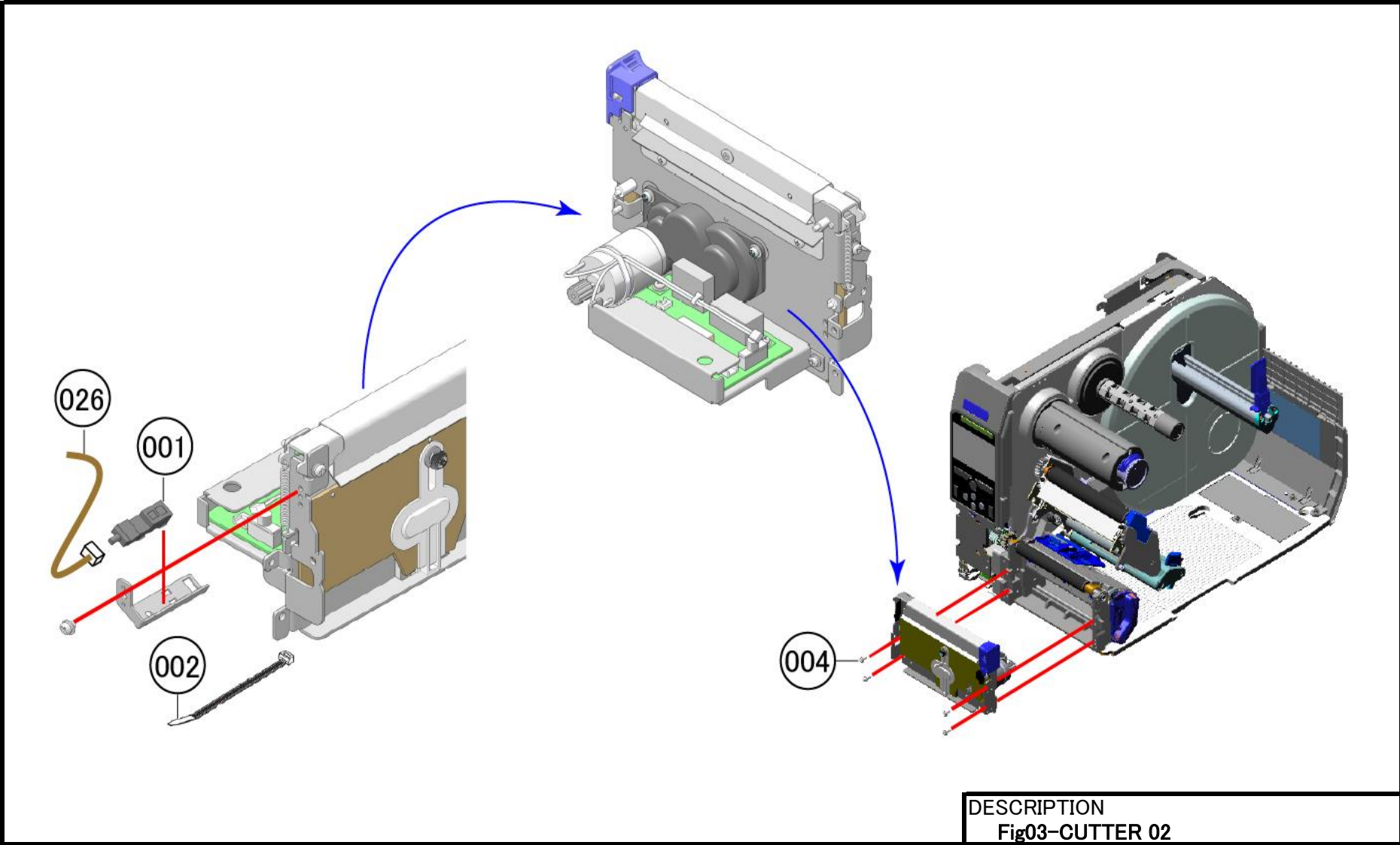
LINERLESS KIT(CL4NX) SERVICE PARTS LIST



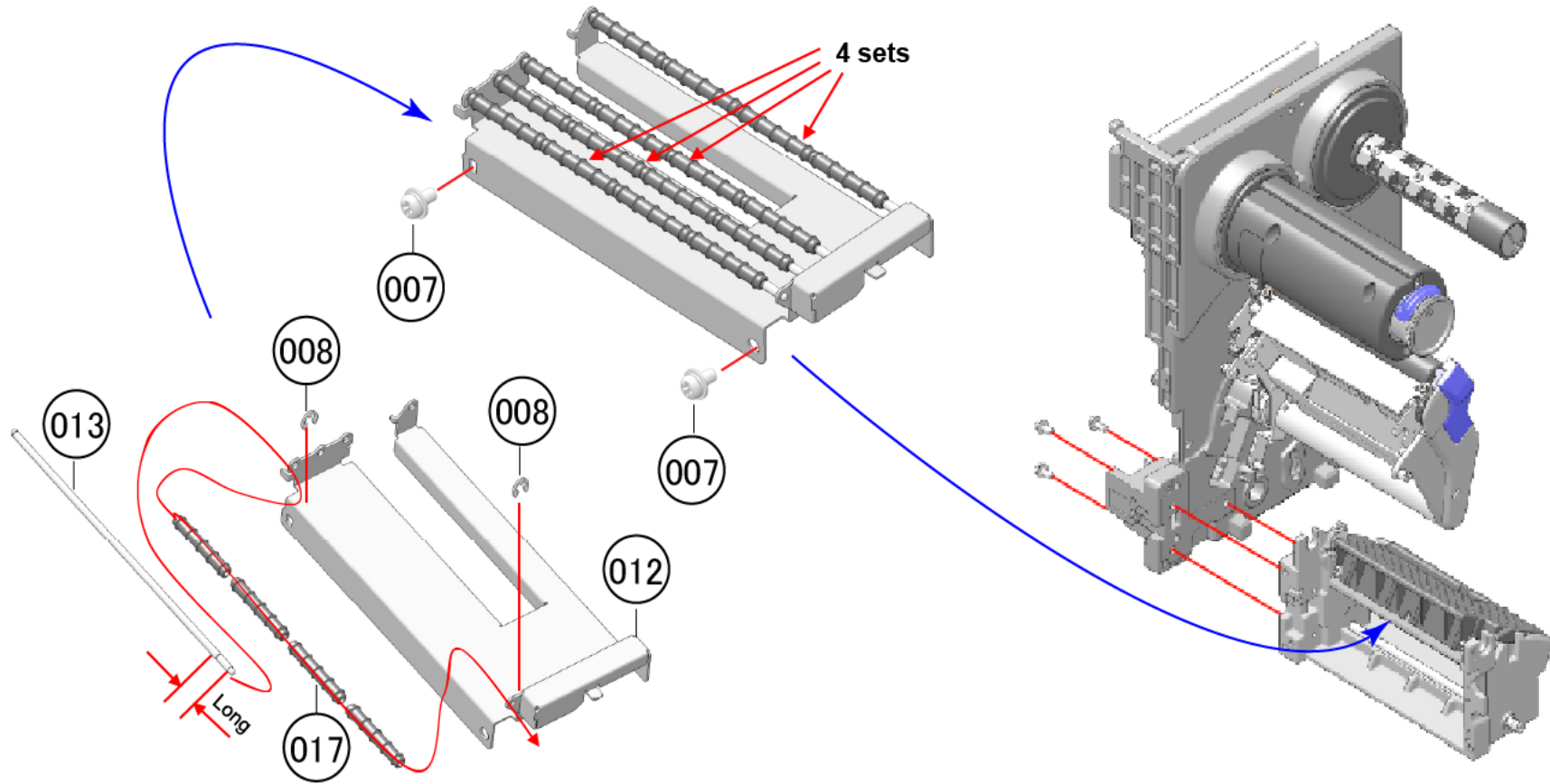
LINERLESS KIT(CUTTER): WWCL05110

DESCRIPTION
Fig02-CUTTER 01

LINERLESS KIT(CL4NX) SERVICE PARTS LIST

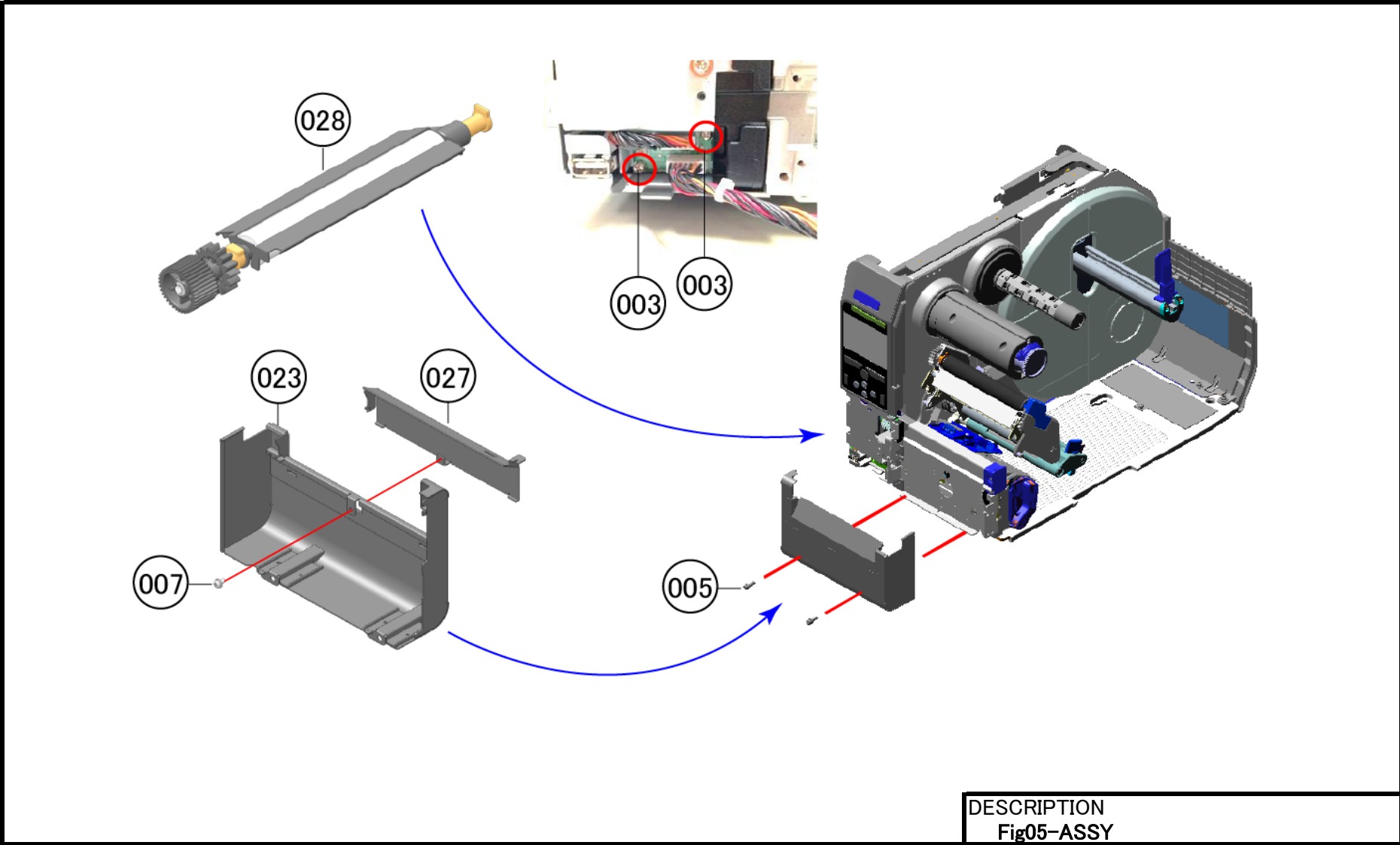


LINERLESS KIT(CL4NX) SERVICE PARTS LIST



DESCRIPTION
Fig04-MEDIA FRAME

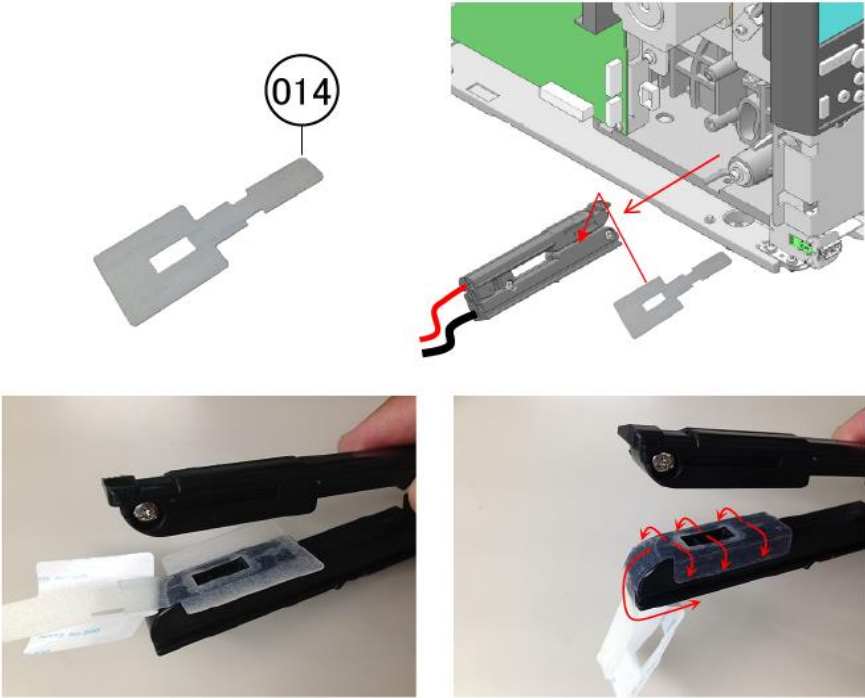
LINERLESS KIT(CL4NX) SERVICE PARTS LIST



CL4NX LINERLESS KIT SERVICE PARTS LIST

AssyName			
NO	First Code	Description	NOTE
1	F00407000	PHOTO INTERRUPTER -LF	Fig3
2	JG100011A	TIE WRAP	Fig2,3
3	MD3300621	PAN HEAD SCREW+SW+WS	Fig2
4	MD3300822	PAN HEAD SCREW+SW+WS	Fig3
5	MD3401028	PAN HEAD SCREW+SW+WS	Fig5
6	MD4300522	PAN HEAD SCREW+SW+WL	Fig2
7	MD4300621	PAN HEAD SCREW+SW+WL	Fig1,5
8	ND0020030	E SNAP RING	Fig4
9	P24161000	SPACER (M3*L5)	Fig1
10	P54802000	CT PCB BR	Fig1
12	P56312702	MEDIA FRAME	Fig4
13	P56312800	SHAFT (DR)	Fig4
14	P56331401	PURE SHEET (SENSOR)	Fig6
15	P56338000	NONSEPA SHEET A	Fig2
16	P56348800	CT GUIDE PLATE	Fig2
17	PE1A20000	DEMAND ROLLER (B)	Fig4
18	Q00974001	CARTON BOX (LINERLESS KIT) CL4NX	Fig6
19	Q04254000	STICKER (TEAR OFF)	Fig3
20	R28591000	CUTTER CABLE SET-LF	Fig1
21	R29115000	RELAY PCB ASSY	Fig1
22	R29124000	CL4NX CUT PCB ASSY -LF	Fig1
23	R29517000	CT FRONT COVER SET	Fig5
24	R30393000	CUTTER COVER OPEN CABLE SET-LF	Fig2
25	R32300600	NONSEPA ID CABLE SET-LF	Fig1
26	R32300700	DIS (NONSEPA) CABLE SET-LF	Fig3
27	R32310201	CT NONSEPA COVER (COAT)	Fig5
28	R32310500	PLATEN ROLLER SUB (LINERLESS) CL4NX	Fig5

LINERLESS KIT(CL4NX) SERVICE PARTS LIST



DESCRIPTION Fig06-ATTACHMENT
