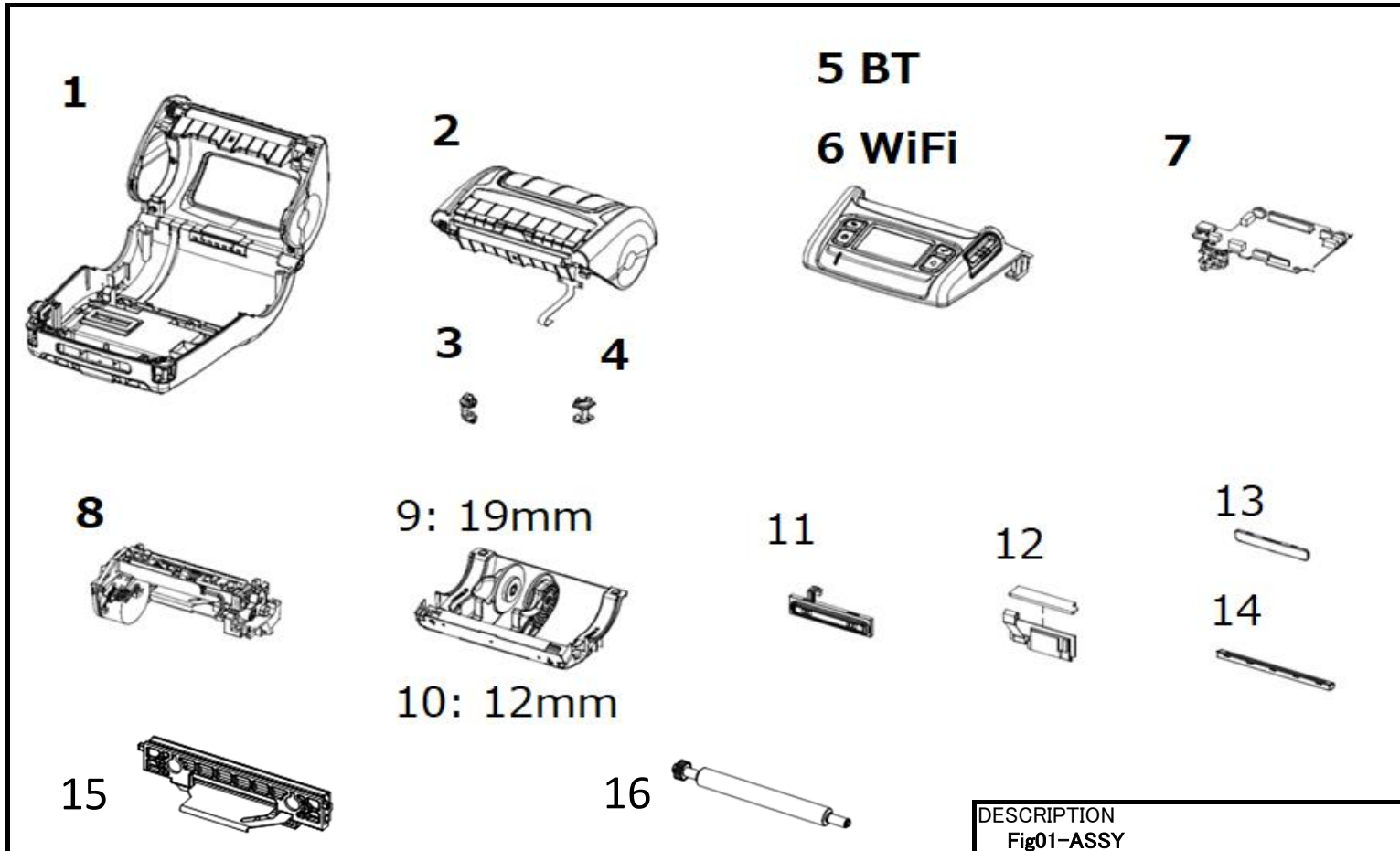




PV3 SERVICE PARTS LIST



SATO Europe GmbH



NO.	First_Code	Description	QTY	NOTE
1	AZ09-00065B-AS	ASSY-COVER-LOWER-B; standard PLATEN-ROLLER Notice) NFC silk printing is on its left side.	1	
2	AZ09-00066B-AS	ASSY-COVER-PAPER-B; standard PLATEN-ROLLER Notice) NFC silk printing is on its left side.	1	
3	AZ09-00067L-AS	COVER-HOLDER-STRAP-L (10pcs)	1	
4	AZ09-00067R-AS	COVER-HOLDER-STRAP-R (10pcs)	1	
5	AZ09-00070B-AS	ASSY-COVER-UPPER-B; Notice) Include ASSY-PCB-LCD-CONTROL-FFC (Exclude Wifi module)	1	
6	AZ09-00070W-AS	ASSY-COVER-UPPER-W; Notice) Include ASSY-PCB-LCD-CONTROL-W-FFC & Wifi module.	1	
7	AZ09-00071A-AS	ASSY-PCB-MAIN+DC-HARNESS	1	
8	AZ09-00072A-AS	ASSY-FRAME-MAIN-NR; (same code: AD09-00035B-AS, 35C-AS, 35D-AS)	1	
9	AZ09-00074A-AS	ASSY-FRAME-PAPER; Paper disks for 19mm inner core	1	
10	AZ09-00074B-AS	ASSY-FRAME-PAPER; Paper disks for 12mm inner core	1	
11	AZ09-00075A-AS	ASSY-TERMINAL (10pcs)	1	
12	AZ09-00076A-AS	ASSY-BLUETOOTH	1	
13	AZ09-00077A-AS	COVER-CAP-TERMINAL (10pcs)	1	
14	AZ09-00078A-AS	COVER-CAP-FANFOLD (10pcs)	1	
15	AZ09-00073A-AS	ASSY-TPH	1	
16	AZ09-00068A-AS	PLATEN-ROLLER; standard PLATEN-ROLLER (1pcs)	1	