



# Reliable Hand Labelling Systems

## SAMARK

### Strong and durable casing

- Ability to withstand all types of labelling conditions

### Smooth continuous operation

- Labels travel easily without jamming

### Standard printband layouts

- Choose from a selection of layouts

### Special security cut labels

- Tamper proof labels prevent prices from being swapped

### Precise printout

- High clarity print characters

### Wide variety of label materials

- For various purposes and impact

The **Samark 26** is an excellent cost performance labeller, offering a compact, reliable solution. This hand labeller dispenses the highly popular wavy label.

Manufactured for robustness and durability, the **Samark 26** is ideal for both small and high volume applications.

Along with lightweight design, the Samark 26 fits in your hand comfortably, making it easy to use for extended periods.

RETAIL STORE &  
SUPERMARKET

FOOD PROCESSING  
INDUSTRY

MANUFACTURING  
INDUSTRY

#### Samark 26

WHITE WINE  
£17.00

USE BY  
31.12.15

LOT No.  
H50932

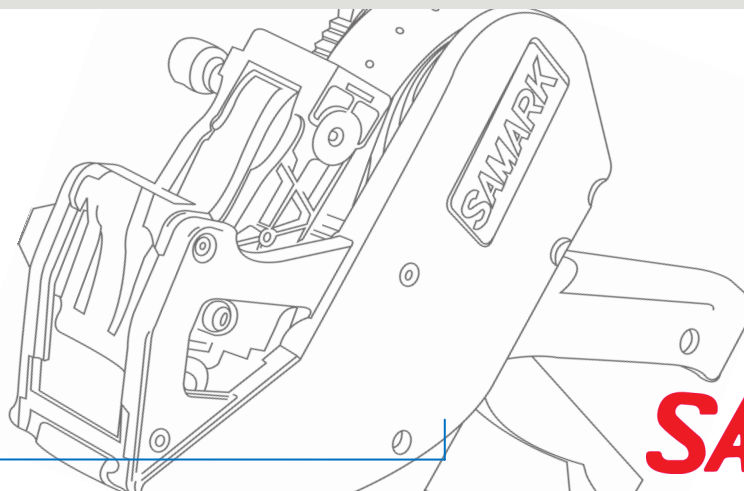
MAY'S FLORIST  
£14.99

Prepared On  
30.11.15

SKU  
22554825

**Applications**

Retail Store & Supermarket	Price marking, Promotional labelling
Food Processing Industries	Food control, Best Before dates, Use By, Prepared on
Manufacturing Industries	Lot No., Product Code, Inspection/Quality control, Inventory control



**SAMARK**

**General Specifications**

<b>Model</b>	<b>Samark 26</b>
Bands Per Head	6, 8
Font Height	3.0 ~ 5.0mm (0.12" ~ 0.20)
Label Size	W 26mm x P 12mm (W 1.02" x P 0.47")
Label Shape Supported	Wavy
No. of Labels Per Roll	1,500 pieces per roll
Labeller Size	W 62 x D 226 X H 135mm (W 2.5" x D 8.9" x H 5.3")
Labeller Weight	270g
Label Types	Plain or pre-printed with logos and information, multi-colours and shapes
Label Adhesives	Permanent, Freeze, Peel, Wash-Off, Outdoor
Label Design	SATO UK's In-House Studio Services

Our In-House Studio team can design pre-printed labels which are customised to promote your business. Our Telesales team will be pleased to discuss your requirements.

**SATO UK Telesales Team**

**Tel: 01255 252700**

**E-mail: [internalsales-uk@sato-global.com](mailto:internalsales-uk@sato-global.com)**