

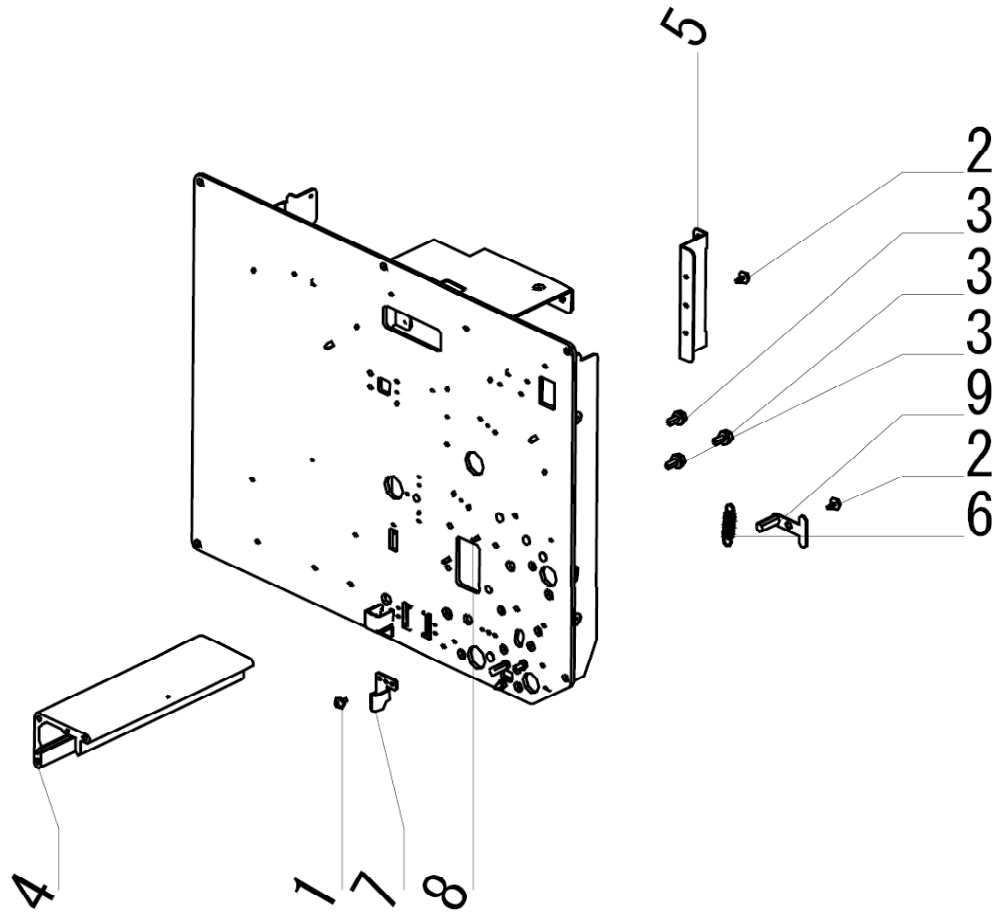
Lt408(LH) SERVICE PARTS LIST



Create Date:
2006/01/20

Valid as of
Feb 1st, 2010

SATO CORPORATION . TOKYO. JAPAN

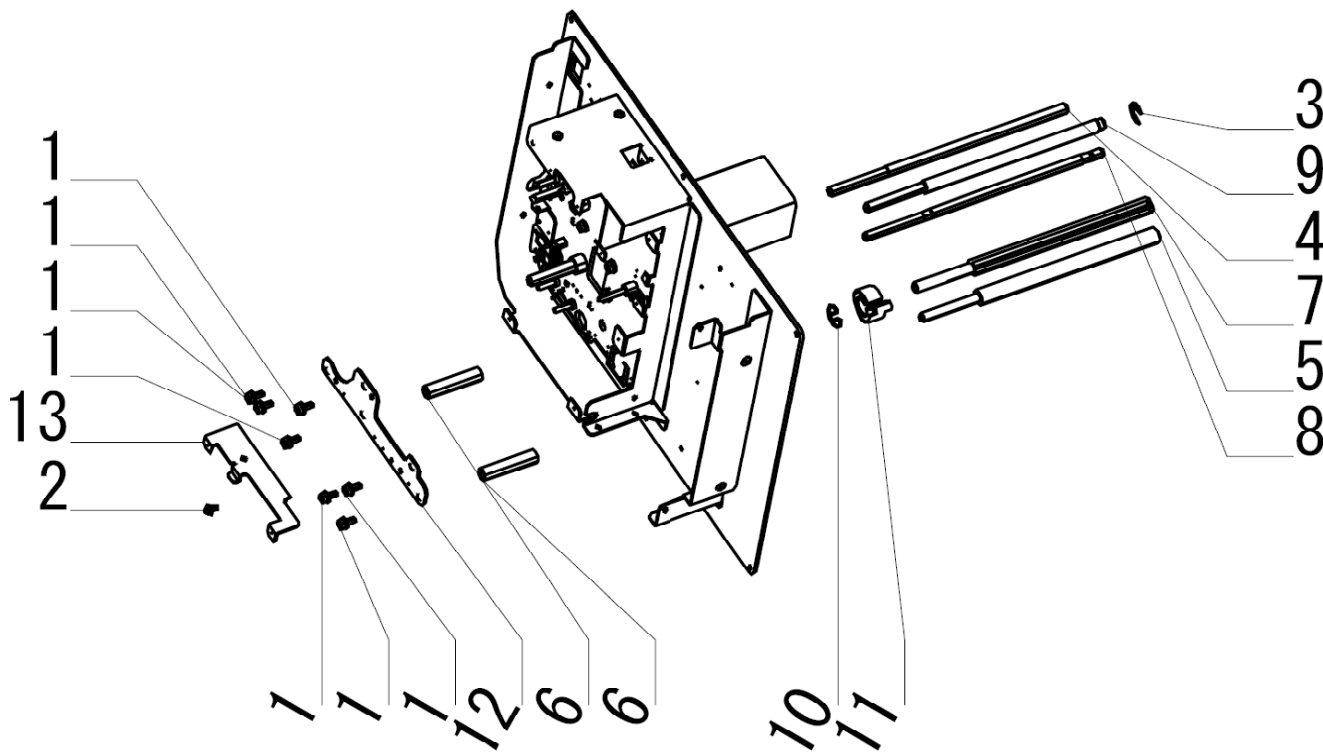


DESCRIPTION
FRAME ASSY(1)

Lt408(LH) SERVICE PARTS LIST

AssyName FRAME ASSY(1)

No	First_Code	Description	Standard	Std_List Price
1	MD3300622	PAN HEAD SCREW+SW+WS		
2	MD4300822	PAN HEAD SCREW+SW+WL		
3	MD4401022	PAN HEAD SCREW+SW+WL		
4	P13704010	STAY		
5	P16083010	MOTOR PCB BR		
6	P16637000	SPRING(HEAD SENSOR)		
7	P18109000	LABEL GUIDE BR		
8	R05785000	ENGINE FRAME(LH)SET		
9	R05787010	HEAD LOCK BR SET		

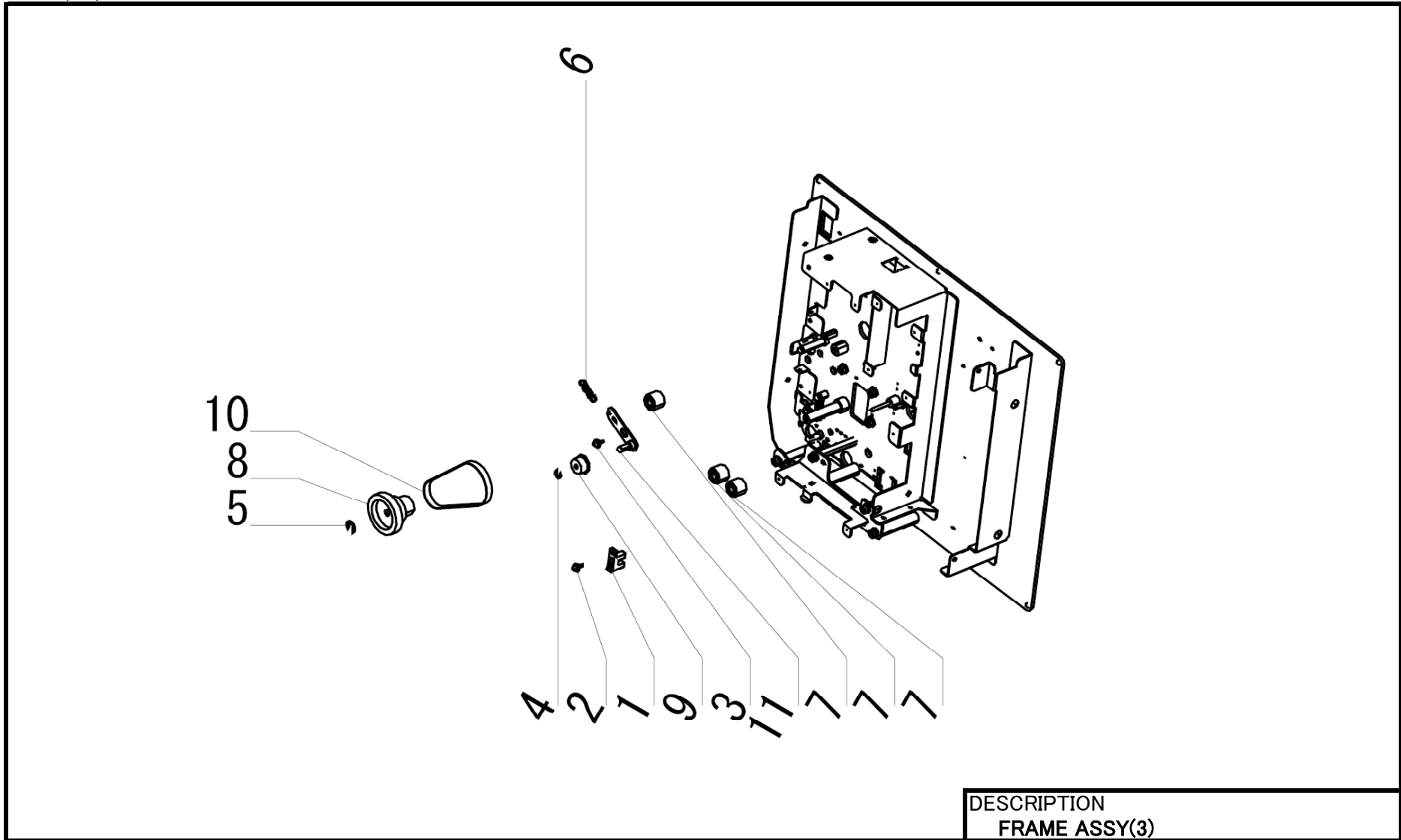


DESCRIPTION
FRAME ASSY(2)

AssyName FRAME ASSY(2)

AssyName FRAME ASSY(2)

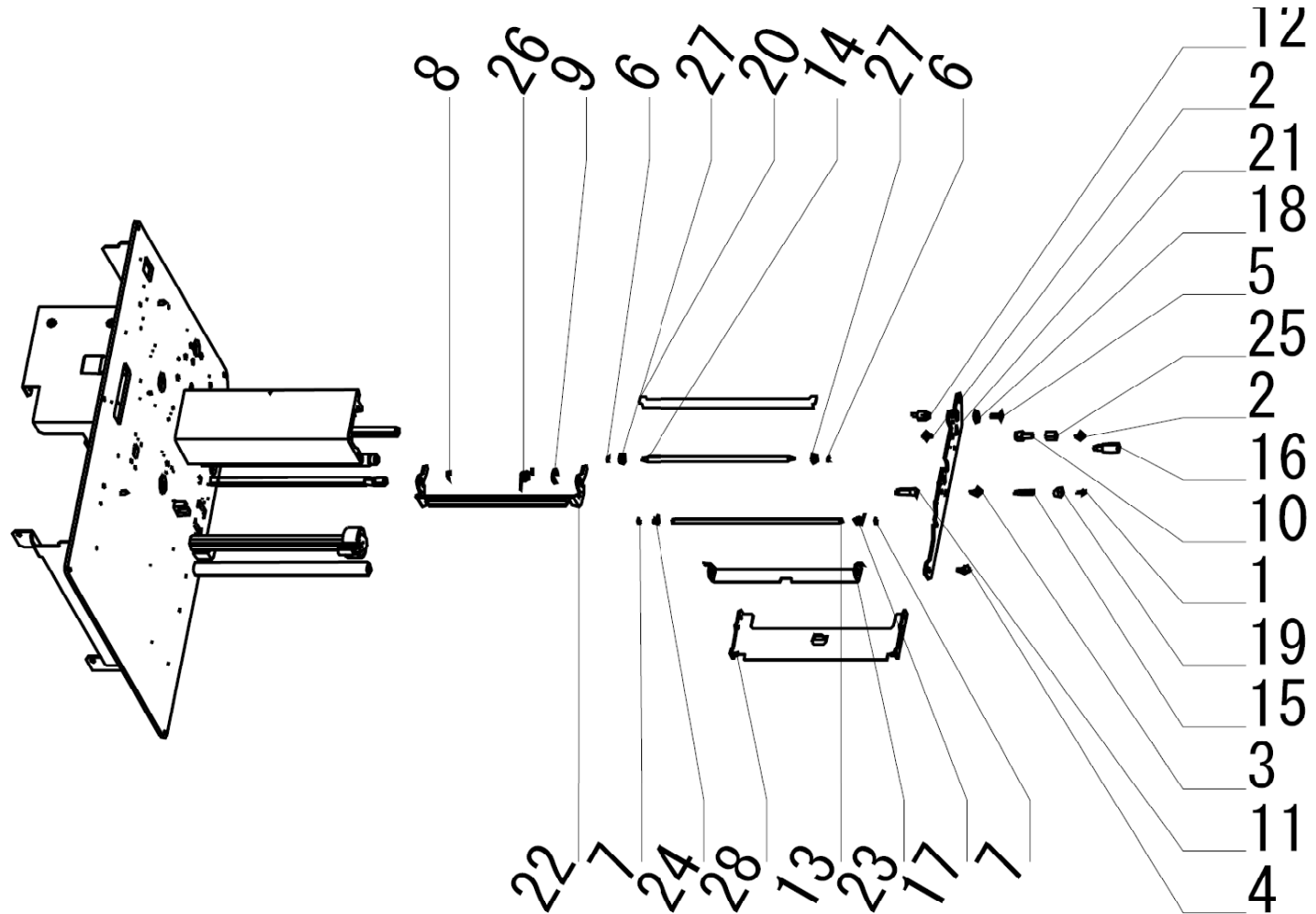
No	First_Code	Description	Standard	Std_List Price
1	MD3401022	PAN HEAD SCREW+SW+WS		
2	MD4300822	PAN HEAD SCREW+SW+WL		
3	ND0080030	E-SNAP RING		
4	P13724010	SHAFT(FEED)		
5	P13726010	SHAFT(LABEL)		
6	P13727010	COLLAR(FEED)		
7	P13728020	SHAFT(PAPER GUIDE)		
8	P13739000	SHAFT(PRESSURE)		
9	P13741000	SHAFT(HEAD)		
10	P13793010	SPRING(LABEL GUIDE)		
11	P15927000	LABEL GUIDE		
12	P16085010	SUPPORT FRAME		
13	P16086020	PCB BRACKET(LH)		



Lt408(LH) SERVICE PARTS LIST

AssyName FRAME ASSY(3)

No	First_Code	Description	Standard	Std_List Price
1	F00177000	PHOTO INTERRUPTER		
2	MD3300622	PAN HEAD SCREW+SW+WS		
3	MD4300822	PAN HEAD SCREW+SW+WL		
4	ND0040030	E SNAP RING		
5	ND0050030	E SNAP RING		
6	P13782000	SPRING(BELT TENSION)		
7	P13860000	GEAR(18)		
8	P13861000	GEAR(47/22)PULLEY(38)		
9	P13863000	TENSION ROLLER		
10	P16962000	TIMING BELT(218)		
11	R05788000	TENSION BR A SET		

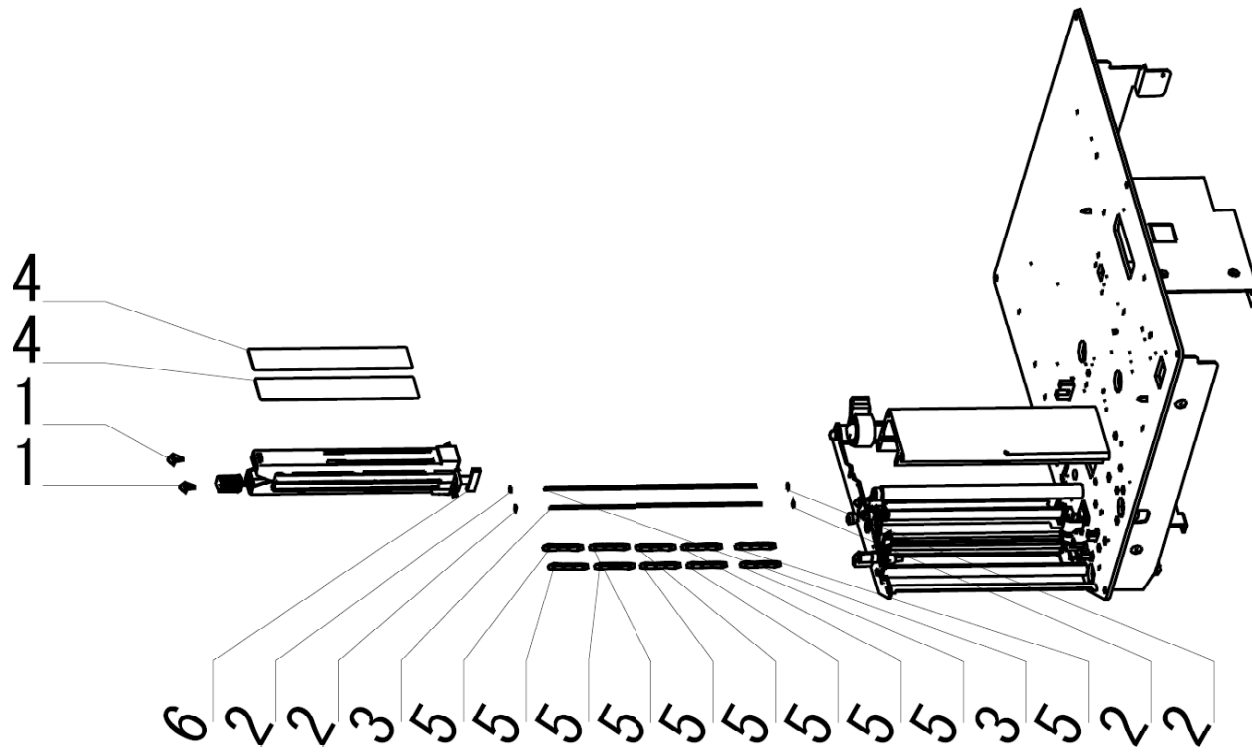


DESCRIPTION
FRAME ASSY(4)

Lt408(LH) SERVICE PARTS LIST

AssyName FRAME ASSY(4)

No	First_Code	Description	Standard	Std_List Price
1	MD3200622	PAN HEAD SCREW+SW+WS		
2	MD4300622	PAN HEAD SCREW+SW+WL		
3	MD4300822	PAN HEAD SCREW+SW+WL		
4	MD4400828	SW+WL+PAN HEAD SCREW		
5	MJ9300822	THIN HEAD SCREW		
6	ND0020030	E SNAP RING		
7	ND0025030	E SNAP RING		
8	ND0040030	E SNAP RING		
9	ND0060030	E RING		
10	P13732010	POST(LATCH)		
11	P13733010	SHAFT(SPRING STOPPER A)		
12	P13734010	PIN(HEAD LOCK B)		
13	P13736000	SHAFT(P ROLLER)		
14	P13737000	PRESSURE ROLLER		
15	P13738010	KNOB(LOCK LEVER)		
16	P13740010	KNOB(PRESSURE ROLLER)		
17	P13785000	SPRING(PRESSURE)A		
18	P13960000	HEAD ADJUST BR		
19	P15937010	KNOB(HEAD SLIDE)		
20	P16090000	DIS PLATE		
21	P16091000	SIDE FRAME		
22	P16093011	LOCK LEVER		
23	P16095000	PRESSURE BR		
24	P16323000	SPRING(PRESSURE) B		
25	P16645000	COLLAR(5.1*7*8)		
26	P17473000	SPRING(LOCK LEVER)LH		
27	P17487000	BALL BEARING		
28	R05793000	PRESSURE BR SET		

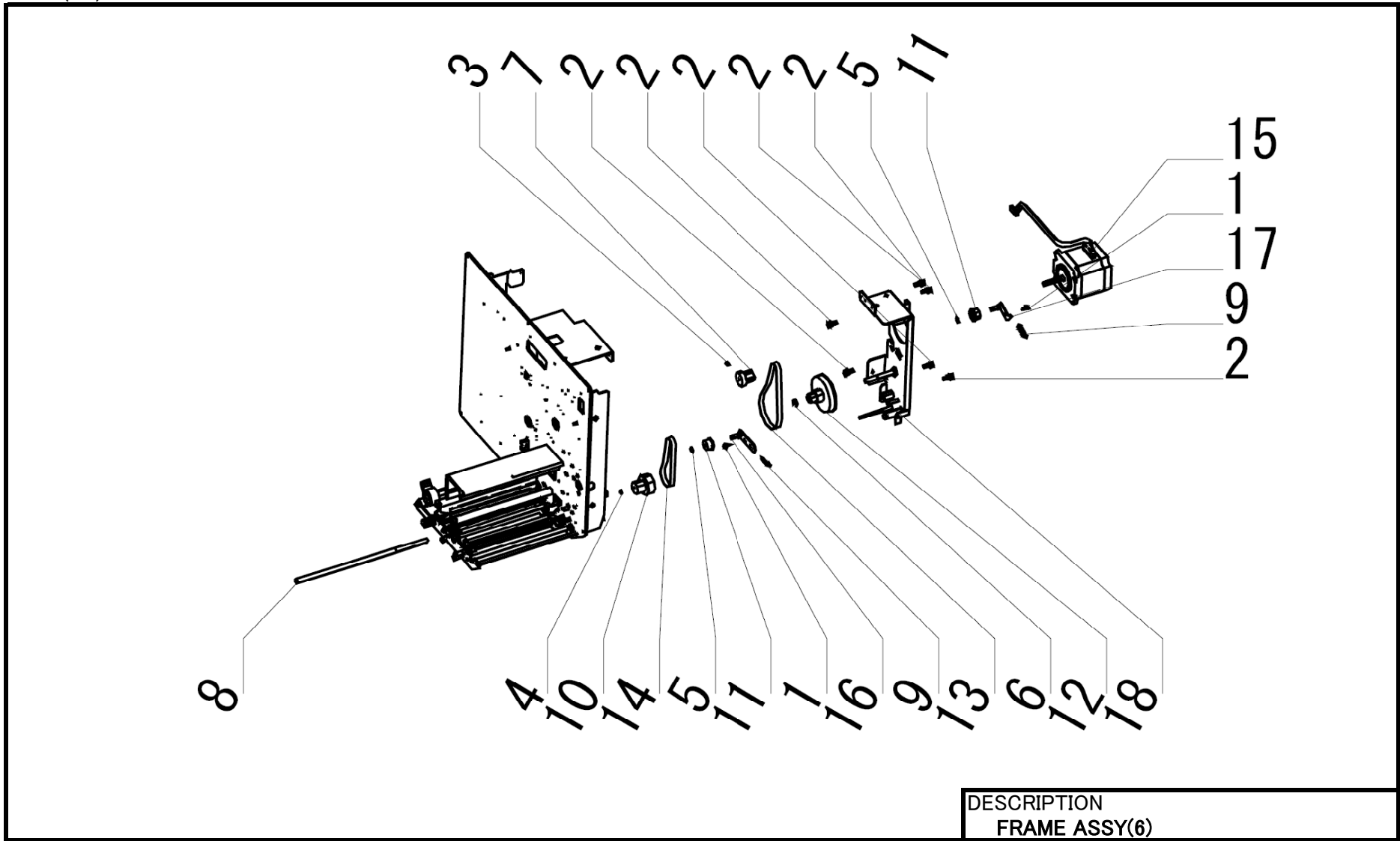


DESCRIPTION
FRAME ASSY(5)

Lt408(LH) SERVICE PARTS LIST

AssyName FRAME ASSY(5)

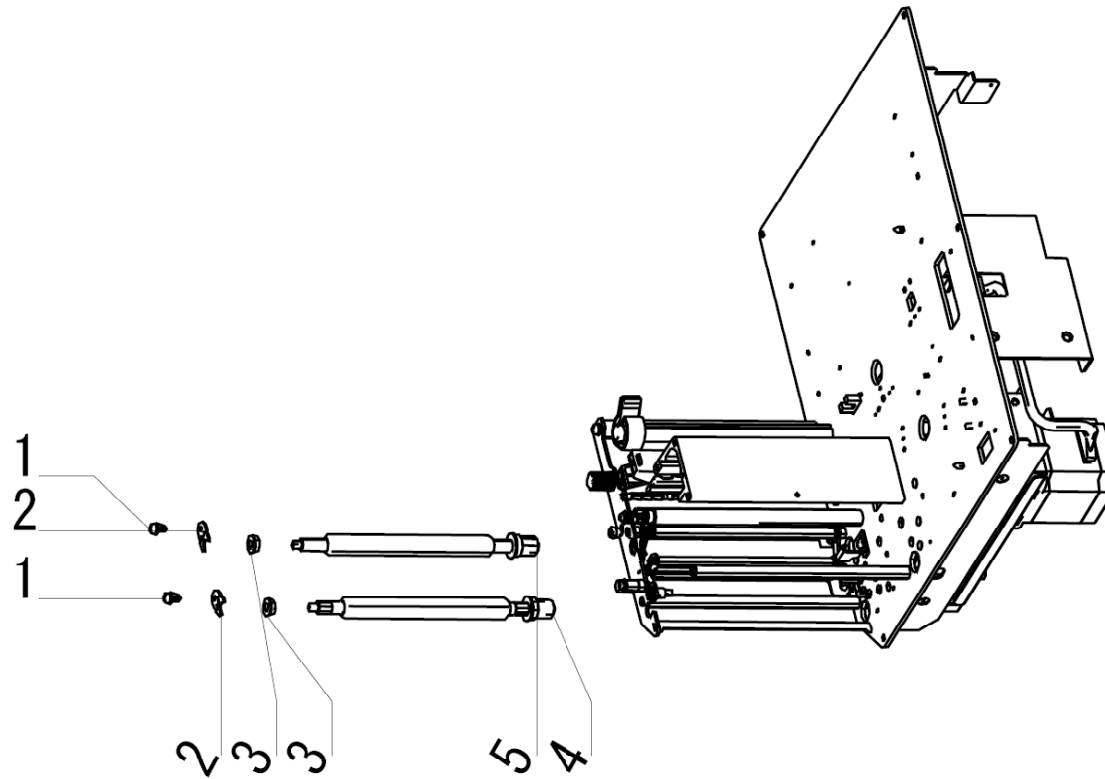
No	First_Code	Description	Standard	Std_List Price
1	MD4300822	PAN HEAD SCREW+SW+WL		
2	ND0020030	E-SNAP RING		
3	P13735010	SHAFT(LABEL GUIDE)		
4	P16117000	SEAT SENSOR		
5	PE3520600	DISPENSE ROLLER		
6	R07327030	GAP SENSOR SUB		



Lt408(LH) SERVICE PARTS LIST

AssyName FRAME ASSY(6)

No	First_Code	Description	Standard	Std_List Price
1	MD4300822	PAN HEAD SCREW+SW+WL		
2	MD4401022	PAN HEAD SCREW+SW+WL		
3	MJ1400622	HEXAGON SOCKET HEAD CAP SCREW(W POINT)		
4	ND0030030	E RING RING		
5	ND0040030	E SNAP RING		
6	ND0060030	E RING		
7	P11157001	MO PULLEY		
8	P13724010	SHAFT(FEED)		
9	P13782000	SPRING(BELT TENSION)		
10	P13862010	GEAR(20)PULLEY(40)		
11	P13863000	TENSION ROLLER		
12	P13864000	GEAR(22)PULLEY(77/20)		
13	P16067000	TIMING BELT(260)		
14	P16068000	TIMING BELT(186)		
15	P16780000	STEPPING MOTOR -LF		
16	R05788000	TENSION BR A SET		
17	R05789000	TENSION BR B SET		
18	R07305000	MOTOR BR(LH) SET		

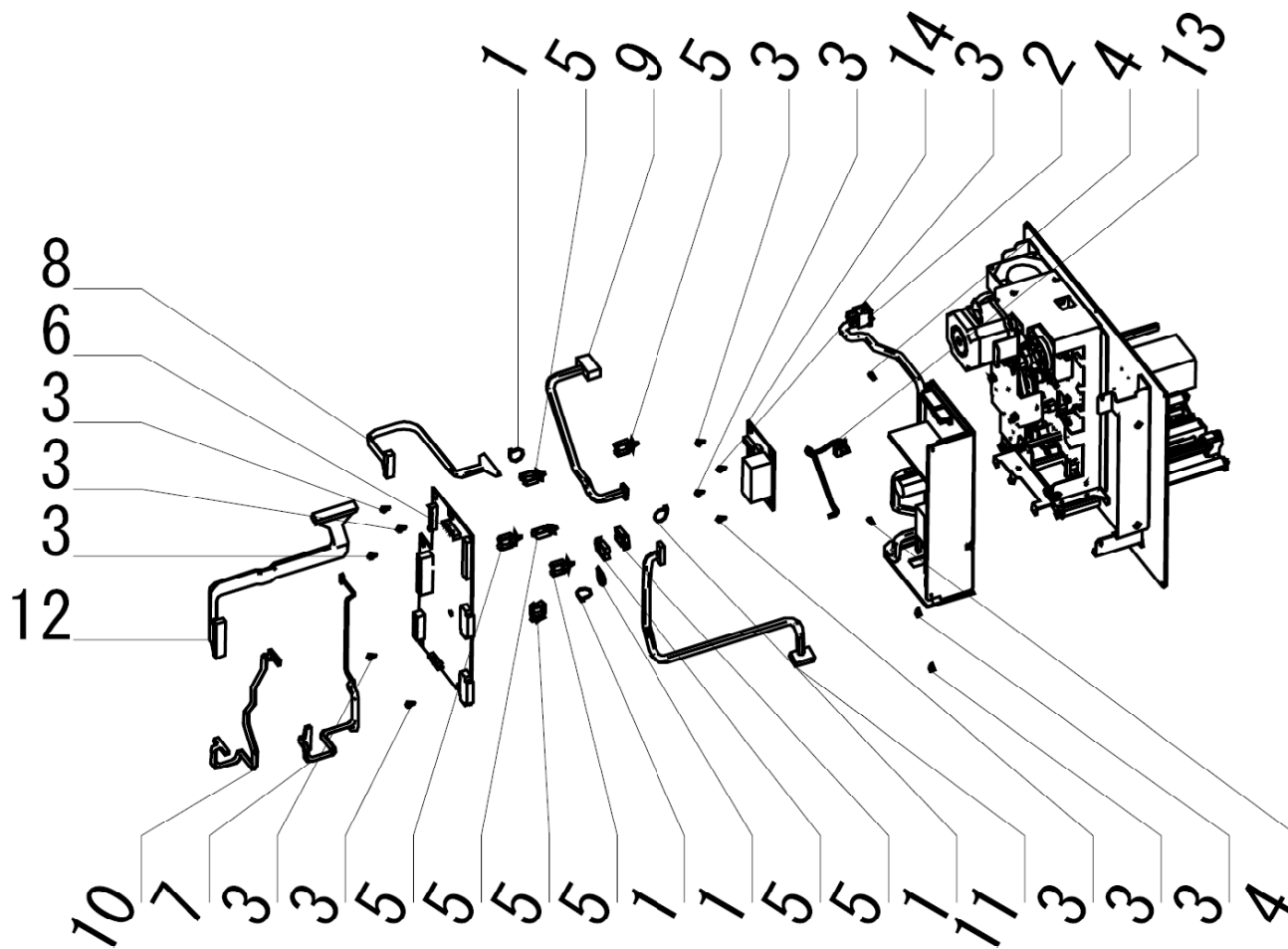


DESCRIPTION
FRAME ASSY(7)

Lt408(LH) SERVICE PARTS LIST

AssyName FRAME ASSY(7)

No	First_Code	Description	Standard	Std_List Price
1	MD4400828	SW+WL+PAN HEAD SCREW		
2	P16092000	BEARING CLAMP		
3	P17491000	BALL BEARING		
4	R07323010	PLATEN ROLLER SUB A		
5	R07324001	PLATEN ROLLER SUB B		

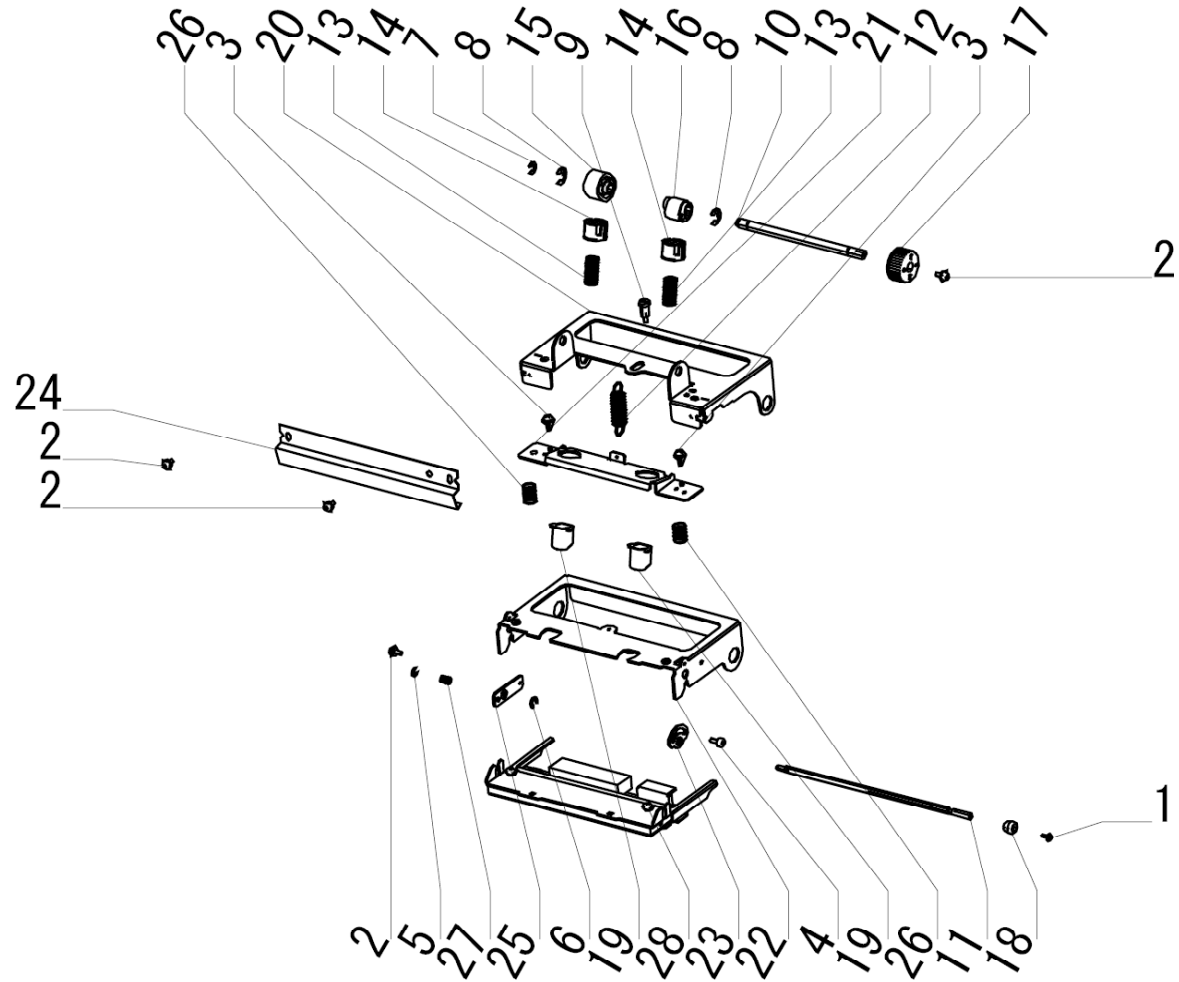


DESCRIPTION
FRAME ASSY(8)

Lt408(LH) SERVICE PARTS LIST

AssyName FRAME ASSY(8)

No	First_Code	Description	Standard	Std_List Price
1	JG100011A	TIE WRAP		
2	K00138000	POWER UNIT -LF		
3	MD4300822	PAN HEAD SCREW+SW+WL		
4	MN1300822	HEXA SOCKET CAP SCREW		
5	P11523000	WIRE SADDLE		
6	R09216000	CONT PCB ASSY		
7	R07103001	SENSOR CABLE SET		
8	R07104001	KB CABLE SET(LH)		
9	R07105000	DC POWER CABLE SET		
10	R07106000	MDRV - POWER CABLE SET		
11	R07107001	HEAD POWER CABLE SET		
12	R07108000	HEAD SIGNAL CABLE SET		
13	R07112000	HEAD OPEN CABLE SET		
14	R07450000	MOTER DRIVER PCB ASSY		

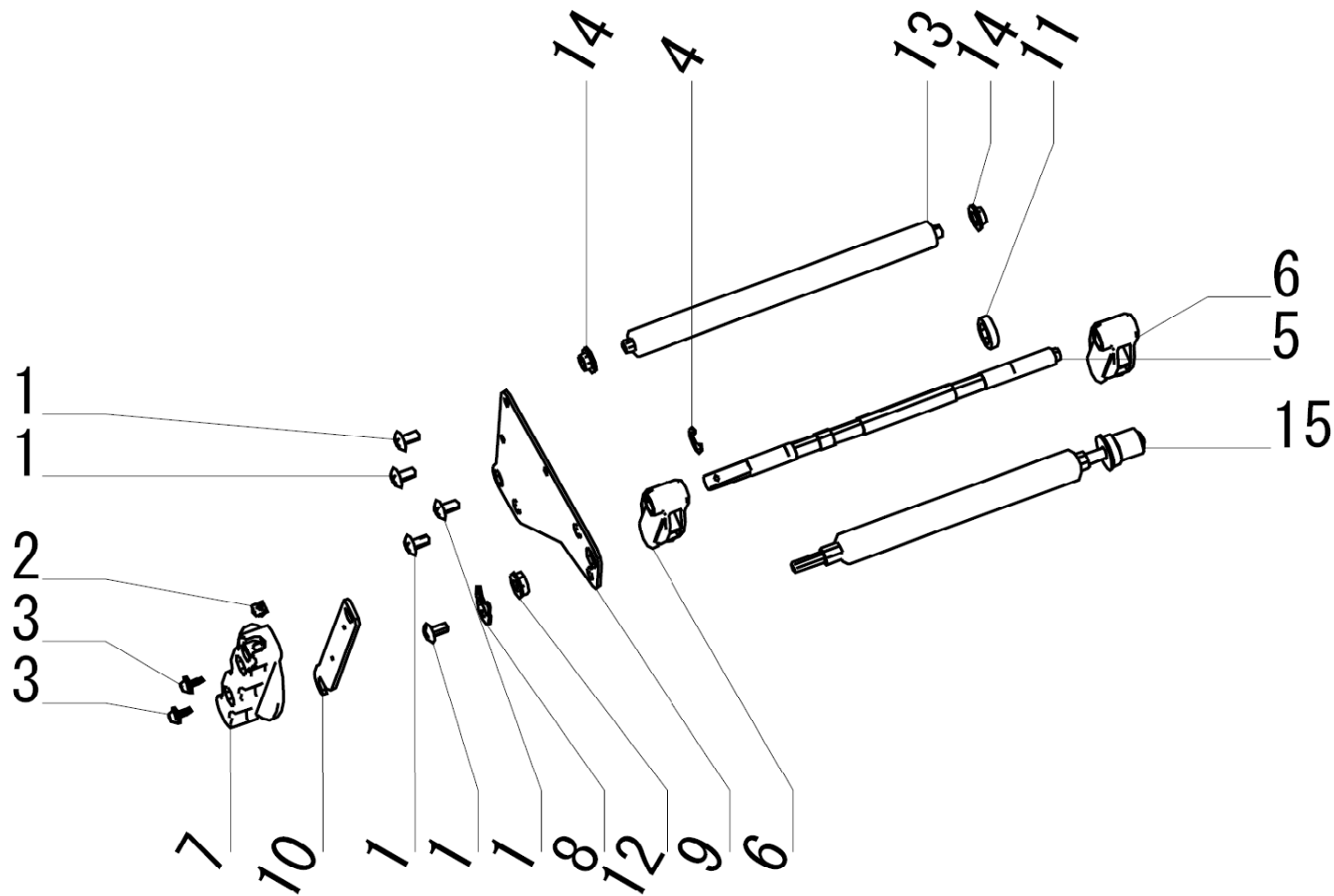


DESCRIPTION
HEAD ASSY(1)

Lt408(LH) SERVICE PARTS LIST

AssyName HEAD ASSY(1)

No	First_Code	Description	Standard	Std_List Price
1	MD3200622	PAN HEAD SCREW+SW+WS		
2	MD3300622	PAN HEAD SCREW+SW+WS		
3	MD4300822	PAN HEAD SCREW+SW+WL		
4	MN1300625	HEXA SOCKET CAP SCREW		
5	ND0025030	E SNAP RING		
6	ND0030030	E RING RING		
7	ND0040030	E SNAP RING		
8	ND0050030	E SNAP RING		
9	P13742010	SHAFT(HEAD TENSION)		
10	P13743020	SHAFT(PRESSURE AD)		
11	P13744010	SHAFT(HEAD ADJUST)		
12	P13791000	SPRING(HEAD OPEN)		
13	P14019000	SPRING(HEAD PRESSURE)		
14	P15933010	SPRING LOCK		
15	P15934000	HEAD PRESSURE A		
16	P15935000	HEAD PRESSURE B		
17	P15936010	KNOB(HEAD PRESSURE)		
18	P15937010	KNOB(HEAD SLIDE)		
19	P15938010	PRESSURE CAP		
20	P16097000	HEAD TOP BR		
21	P16098000	HEAD PRESSURE BR		
22	P16099011	HEAD BR		
23	P16101011	PLATE HEAD ADJUST A		
24	P16105000	PLATE(RIBBON ADJUST)		
25	P16613000	PLATE HEAD ADJUST B		
26	P16628000	SPRING(HEAD BR)		
27	P16629010	SPRING(HEAD LOCK)		
28	R07333000	HEAD SUB		

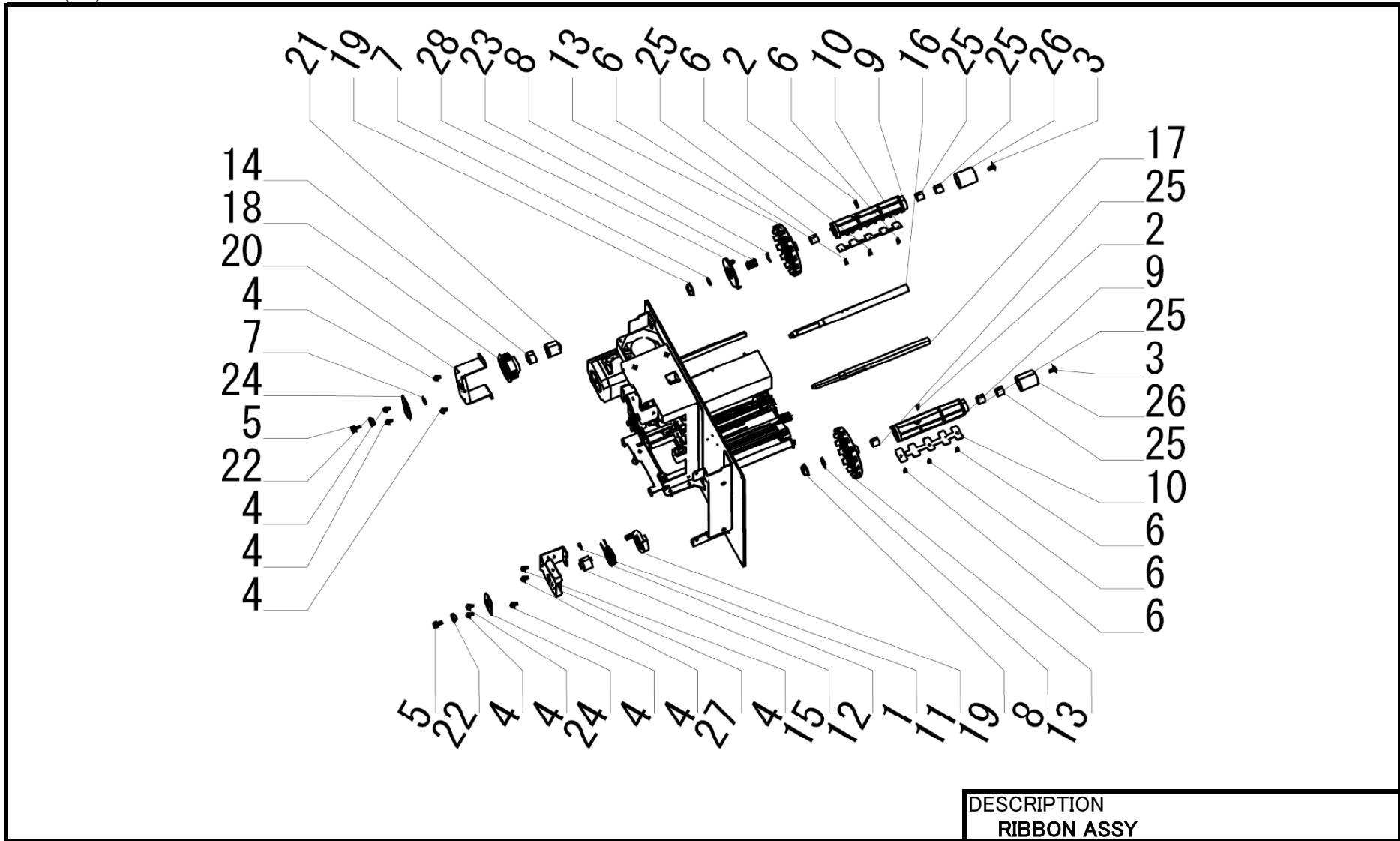


DESCRIPTION HEAD ASSY(2)

Lt408(LH) SERVICE PARTS LIST

AssyName HEAD ASSY(2)

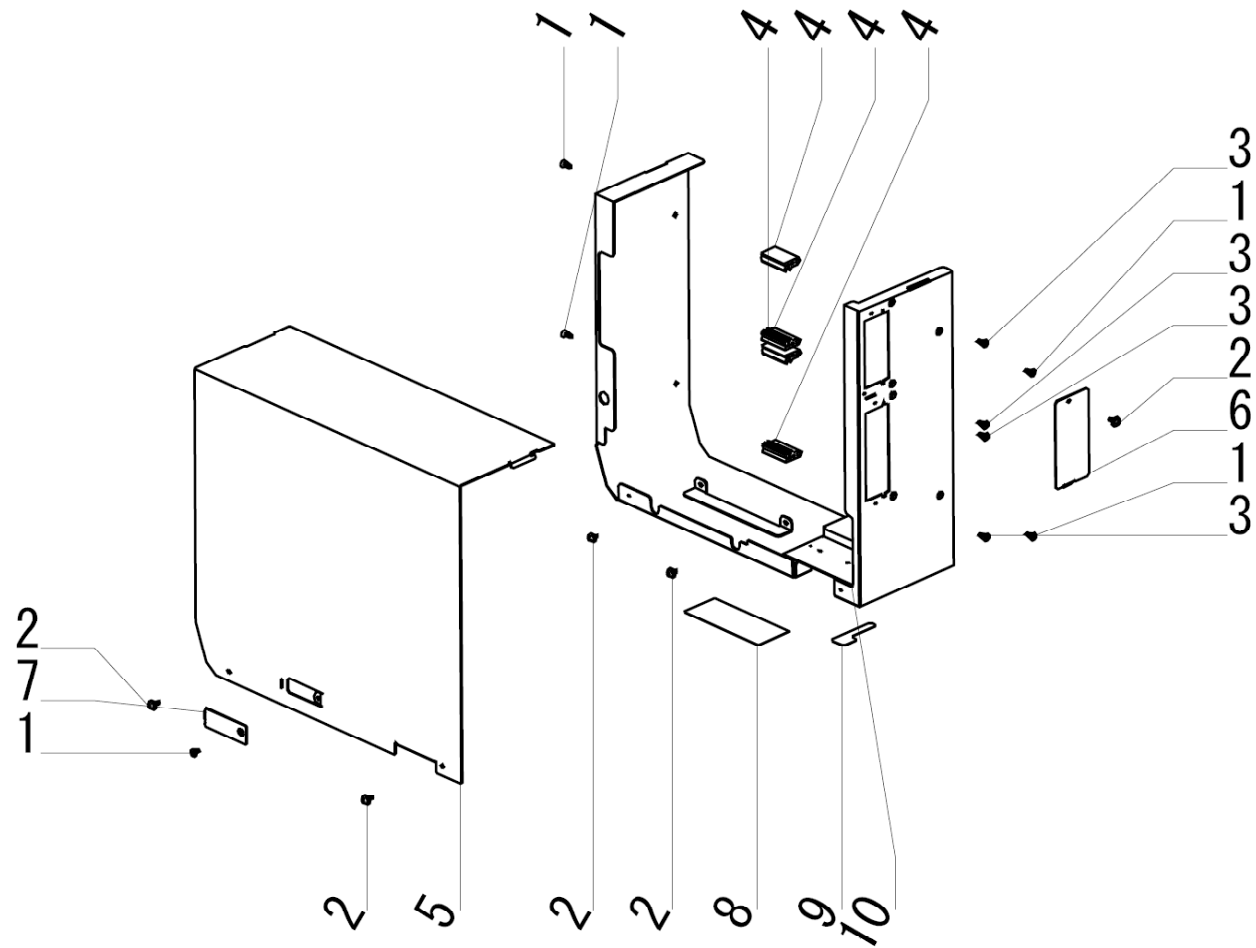
No	First_Code	Description	Standard	Std_List Price
1	MA7401028	TRUSS SCREW		
2	MD3300622	PAN HEAD SCREW+SW+WS		
3	MD4300822	PAN HEAD SCREW+SW+WL		
4	ND0060030	E RING		
5	P13746000	SHAFT(HEAD LOCK		
6	P15940000	HEAD LOCK CAM		
7	P15941000	HEAD LOCK LEVER B		
8	P16092000	BEARING CLAMP		
9	P16112000	HEAD SIDE FRAME		
10	P16113000	HEAD LOCK LEVER A		
11	P16646010	COLLAR(HEAD SHAFT)		
12	P17491000	BALL BEARING		
13	PB3770100	ROLLER(6*12*143)		
14	PE2770300	COLLAR (6*8*4F)		
15	R07336011	RIBBON ROLLER SUB		



Lt408(LH) SERVICE PARTS LIST

AssyName RIBBON ASSY

No	First_Code	Description	Standard	Std_List Price
1	MA0200822	PAN HEAD SCREW		
2	MA0300822	PAN HEAD SCREW		
3	MA7401028	TRUSS SCREW		
4	MD4300822	PAN HEAD SCREW+SW+WL		
5	MD4401022	PAN HEAD SCREW+SW+WL		
6	MH0300522	PAN HEAD P TIGHT SCREW		
7	ND0060030	E RING		
8	ND0080030	E-SNAP RING		
9	P00588101	RIBBON BOSS(4)		
10	P00626000	SPRING(RIBBON BOSS)		
11	P11280010	BF STOPPER		
12	P11282010	BF SPRING		
13	P11283000	DISK PLATE TL		
14	P11461000	ONEWAY CLUTCH		
15	P12267000	TORQUE LIMITER		
16	P13747000	SHAFT(RIBBON A)		
17	P13889000	SHAFT(RIBBON B)		
18	P15159000	RIBBON PULLEY TL60A		
19	P15601000	BEARING		
20	P16114010	RIBBON BR B		
21	P16747000	TORQUE LIMITER		
22	P17488000	BALL BEARING		
23	P18125000	SPRING(BF STOPPER)		
24	PA1731000	ADJUST PLATE		
25	PE2720100	COLLAR (10*12*10)		
26	PE2730100	STOPPER COLLAR		
27	R07310000	RIBBON BR SET		
28	R08411000	FELT SUB		

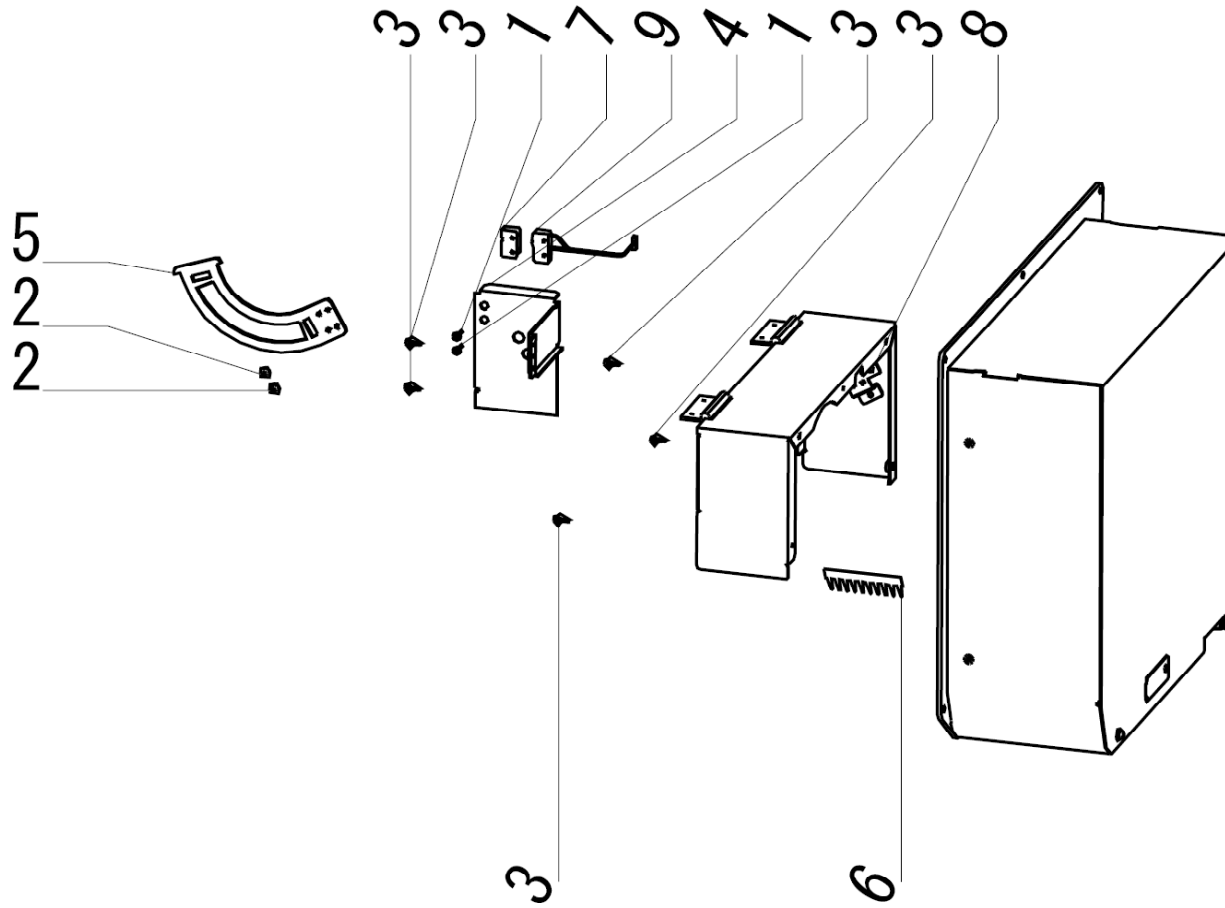


DESCRIPTION
COVER ASSY(1)

Lt408(LH) SERVICE PARTS LIST

AssyName COVER ASSY(1)

No	First_Code	Description	Standard	Std_List Price
1	MA1300622	FLAT HEAD SCREW		
2	MD4300822	PAN HEAD SCREW+SW+WL		
3	MH1300822	FLAT HEAD P TIGHT SCREW		
4	P15944010	GUIDE RAIL		
5	P16122000	REAR COVER(LH)		
6	P16550000	COVER(EXT)		
7	P16621000	VOLUME CAP		
8	Q01373000	STICKER(CAUTION)		
9	Q01374000	STICKER(AC/FUSE)		
10	R05889000	REAR FRAME(LH)SET		

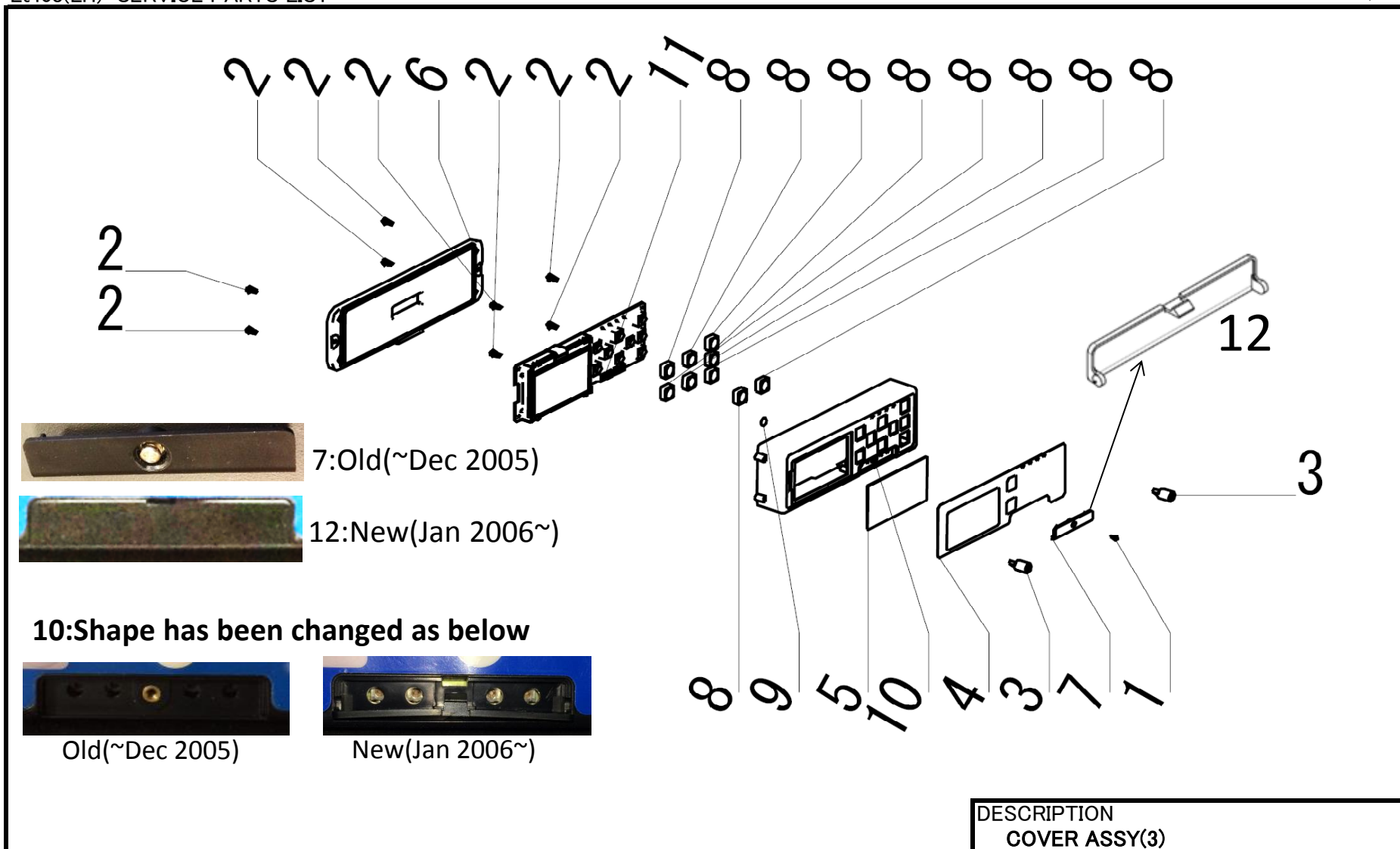


DESCRIPTION
COVER ASSY(2)

Lt408(LH) SERVICE PARTS LIST

AssyName COVER ASSY(2)

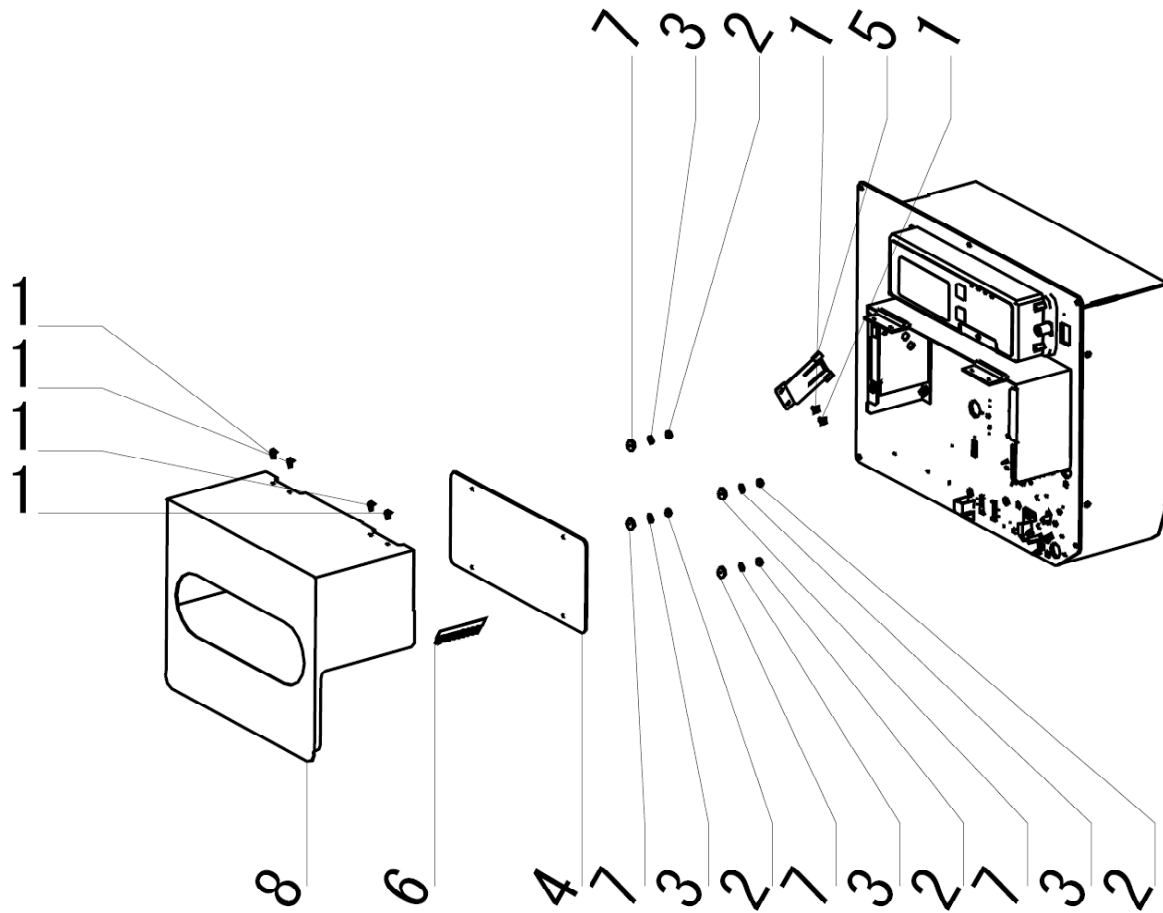
No	First_Code	Description	Standard	Std_List Price
1	MD3201022	PAN HEAD SCREW+SW+WS		
2	MD3300622	PAN HEAD SCREW+SW+WS		
3	MD4300822	PAN HEAD SCREW+SW+WL		
4	P16262000	COVER OPEN BR(LH)		
5	P16740010	PLATE ARM		
6	P16765000	ANTI STATIC SHEET		
7	PA6730300	COVER (SEN6)		
8	R05890010	FRONT COVER(LH)SET		
9	R07109000	COVER OPEN CABLE SET		



Lt408(LH) SERVICE PARTS LIST

AssyName COVER ASSY(3)

No	First_Code	Description	Standard	Std_List Price
1	MD3250622	PAN HEAD SCREW+SW+WS		
2	MH0300822	PAN HEAD P TIGHT SCREW		
3	P13748010	SCREW(PANEL)		
4	P14036000	PROTECT SHEET		
5	P14037000	LCD PROTECTOR		
6	P15942000	PANEL BASE		
7	P15943000	VOLUME COVER		SEG added comment (09/12/2015) ~December 2005
8	P16768000	SPACER(PANEL SWITCH)		
9	P18934000	PCB PROTECTOR		
10	R07309000	PANEL COVER SET		SEG added comment (09/12/2015) shape has been changed in January 2006
11	R07452010	S-KB PCB ASSY		
12	P21580000	VOLUME COVER		SEG added comment (09/12/2015) January 2006~

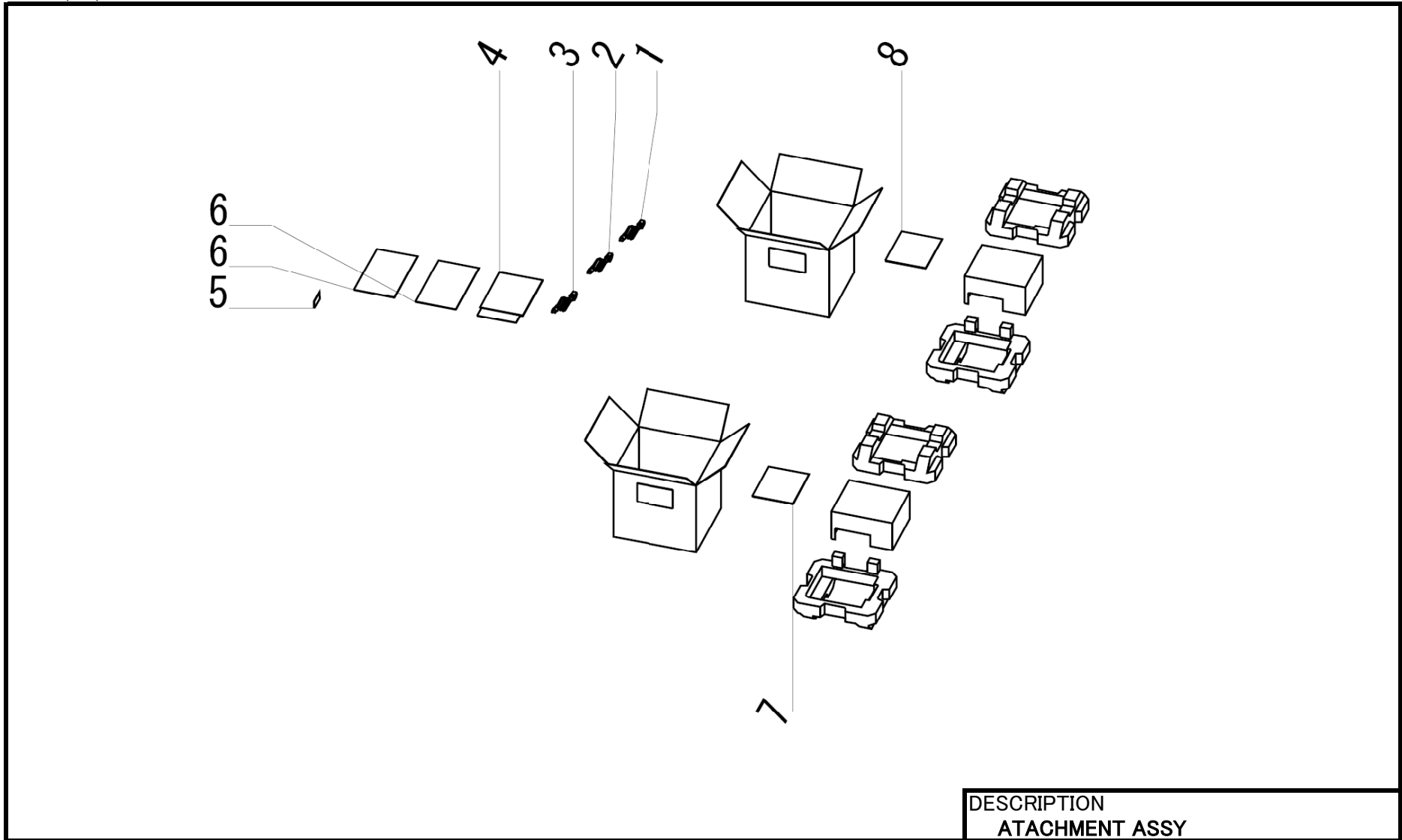


DESCRIPTION COVER ASSY(4)

Lt408(LH) SERVICE PARTS LIST

AssyName COVER ASSY(4)

No	First_Code	Description	Standard	Std_List Price
1	MA7300628	TRUSS SCREW		
2	MT1300022	NUT		
3	NA1030022	PLAIN WASHER		
4	P14038000	WINDOW		
5	P16741011	PLATE STOPPER		
6	P16765000	ANTI STATIC SHEET		
7	P18824000	FELT WASHER		
8	R07432000	OPEN COVER(LH)SET		



Lt408(LH) SERVICE PARTS LIST

AssyName ATACHMENT ASSY

No	First_Code	Description	Standard	Std_List Price
1	H00363000	POWER CODE		
2	JH000052A	POWER CORD(220V)-LF		
3	JH000071A	POWER CORD(3M)		
4	Q00029000	LAPPING SHEET SET(4W)		
5	QA0773800	PROTECTOR(I/F)		
6	QB2042336	CUSHION		
7	R07752000	PACKING SET(LH)		
8	R07753000	PACKING SET(RH)		