



M-10e(TT/DT) SERVICE PARTS LIST

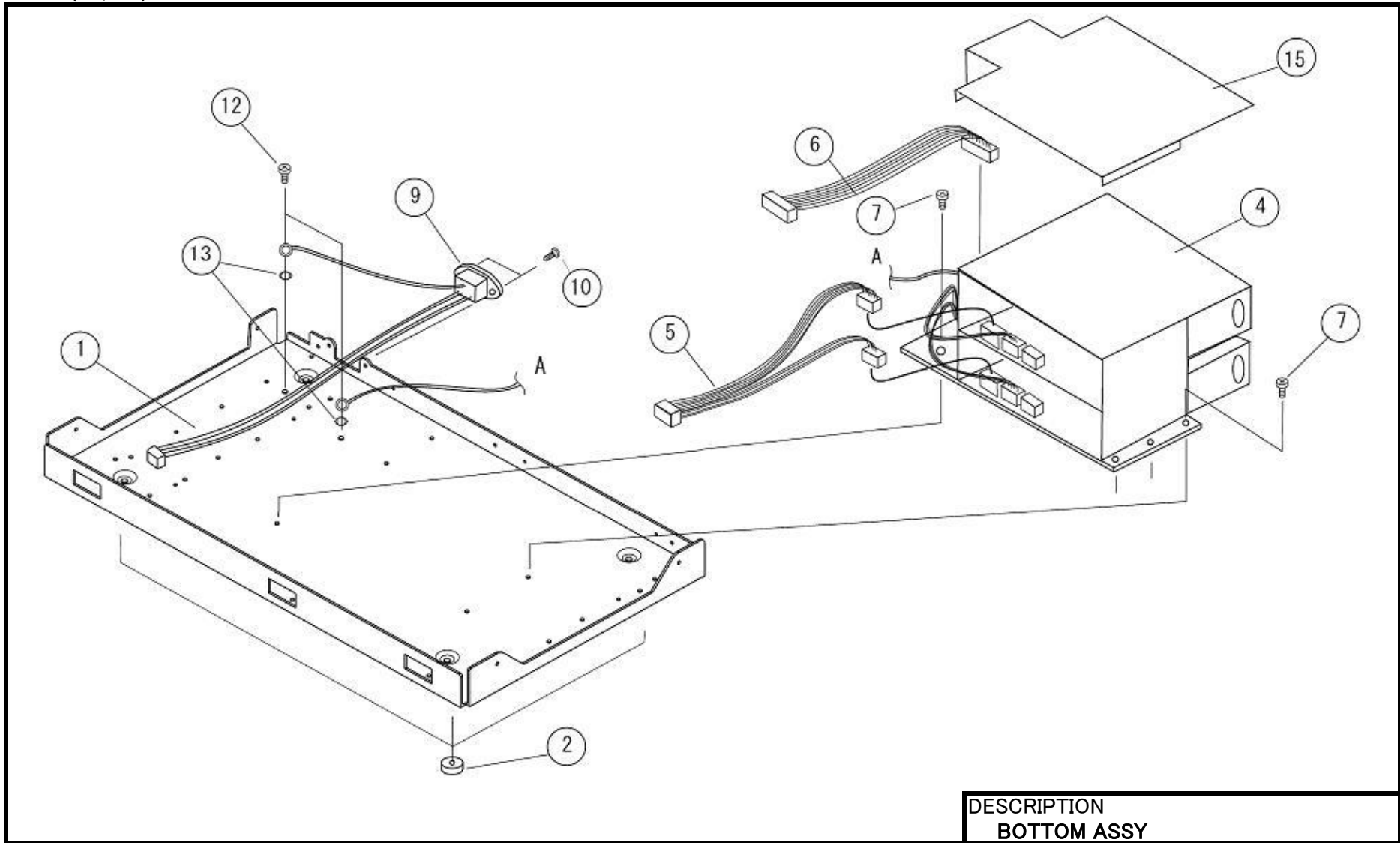


Create Date:

WM1XXXXXX

Valid as of
Feb 1st, 2010

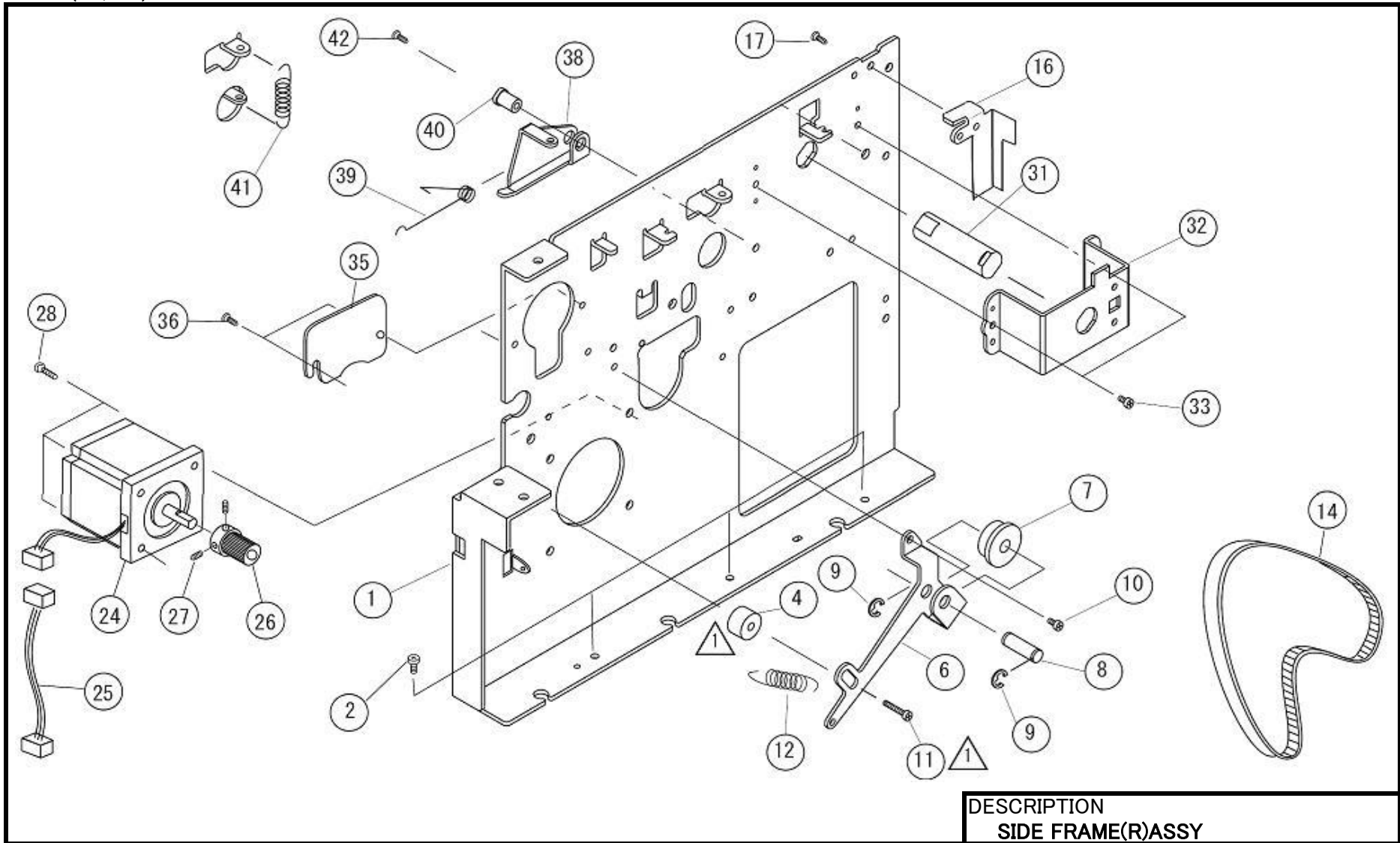
SATO CORPORATION . TOKYO. JAPAN



M-10e(TT/DT) SERVICE PARTS LIST

AssyName BOTTOM ASSY

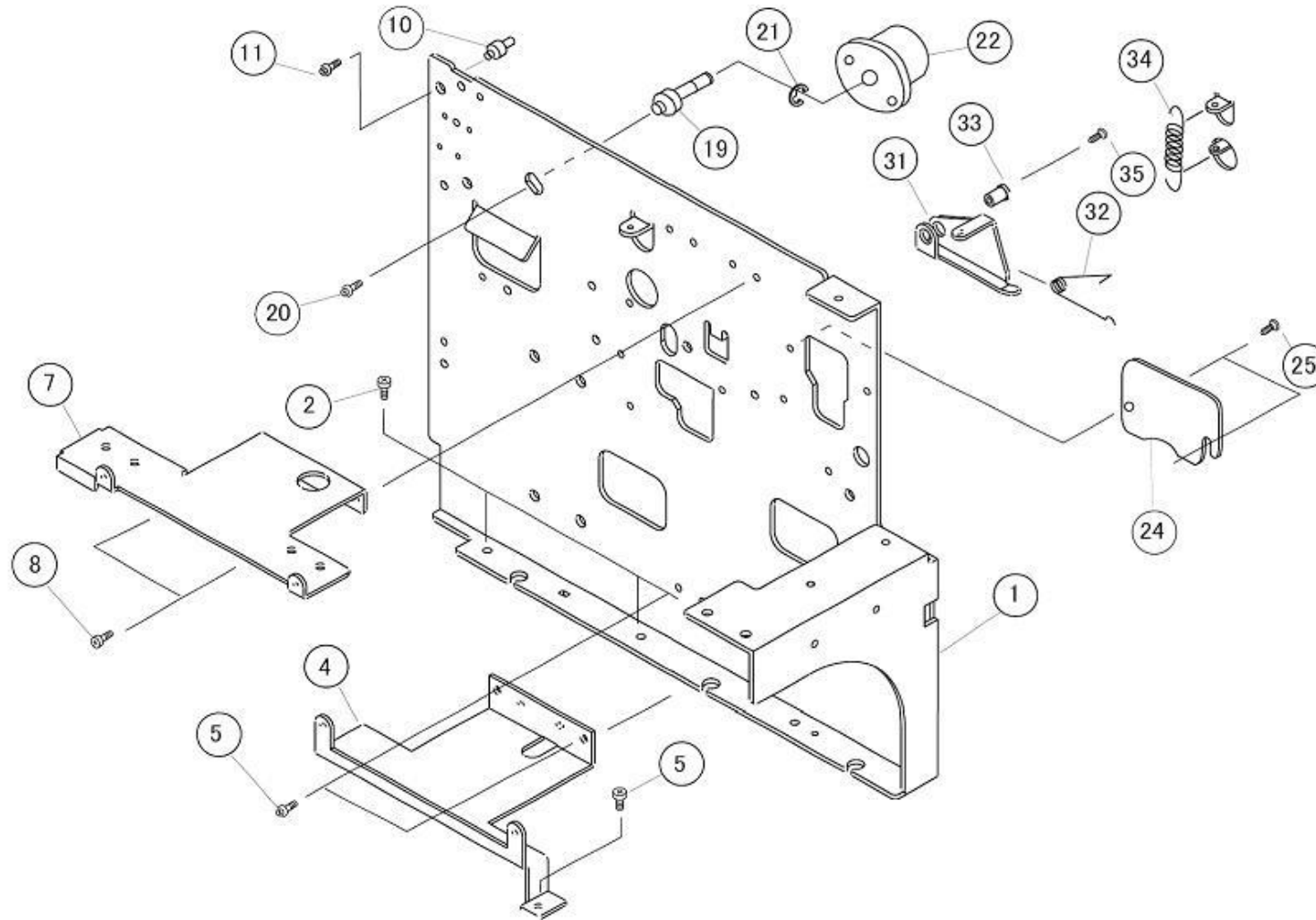
No	First_Code	Description		
1	PA5A60010	BOTTOM PLATE		
2	PT6680100	CASE LEG		
4	K00023000	POWER SUPPLY		
5	RH1A60200	POW1 CORD SET		
6	RH1A60300	POW2 CORD SET		
7	MD4300622	PAN HEAD SCREW+SW+WL		
9	RH1A60010	AC CORD SET		
10	MD3300822	PAN HEAD SCREW+SW+WS		
12	MD0400622	PAN HEAD SCREW		
13	NB2040022	TOOTHED LOCK WASHER		
15	P03036000	COVER(POW)		



M-10e(TT/DT) SERVICE PARTS LIST

AssyName SIDE FRAME(R)ASSY

No	First_Code	Description		
1	PA6A60002	SIDE FRAME(R)		
2	MD4300622	PAN HEAD SCREW+SW+WL		
4	P08919000	SPACER		
6	PA3A60001	BRACKET(T. ROLLER)		
7	PE3720100	TENSION ROLLER		
8	PB0740900	SHAFT (TENSION ROLLER)		
9	ND0040030	E SNAP RING		
10	MD4300622	PAN HEAD SCREW+SW+WL		
11	MD4301822	PAN HEAD SCREW+SW+WL		
12	PC0A60101	SPRING(TENSION ROLLER)		
14	PU3400060	SYNCHRO BELT(S2M*400)		
16	P00228010	HEAD STOPPER		
17	MD4300622	PAN HEAD SCREW+SW+WL		
24	KB200371A	STEPPING MOTOR-LF		
25	RH1A61700	STP-EXT CORD SET		
26	PR1A60500	PULLEY(S2M*20)		
27	MJ1400524	HEX W-POINT SCREW		
28	MD3401022	PAN HEAD SCREW+SW+WS		
31	PB0A60100	SHAFT(TOP FRAME)		
32	PA3A60200	RIBBON BRACKET(RL)		
33	MD0300422	PAN HEAD SCREW		
35	PA1A60100	SUPPORTER CLAMP(B)		
36	MJ9300322	THIN HEAD SCREW		
38	PA3A60800	PLATE(ESCAPE)R		
39	PC2A60000	SPRING(FEED ROLLER)R		
40	PB0A60202	SHAFT(SPRING)		
41	P00669000	SPRING(FEED ROLLER)		
42	MD4301422	PAN HEAD SCREW+SW+WL		

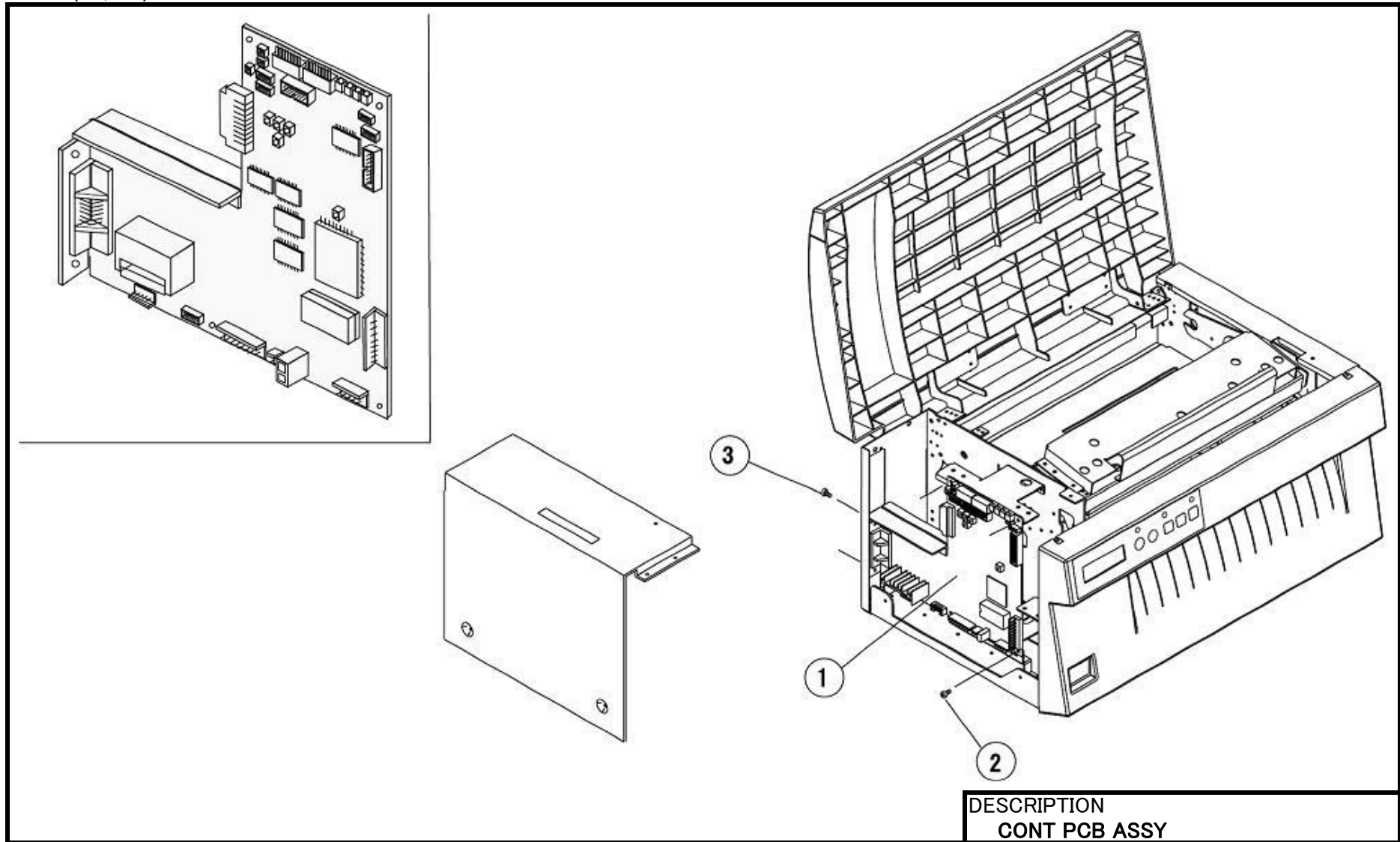


DESCRIPTION
SIDE FRAME(L)ASSY

M-10e(TT/DT) SERVICE PARTS LIST

AssyName SIDE FRAME(L)ASSY

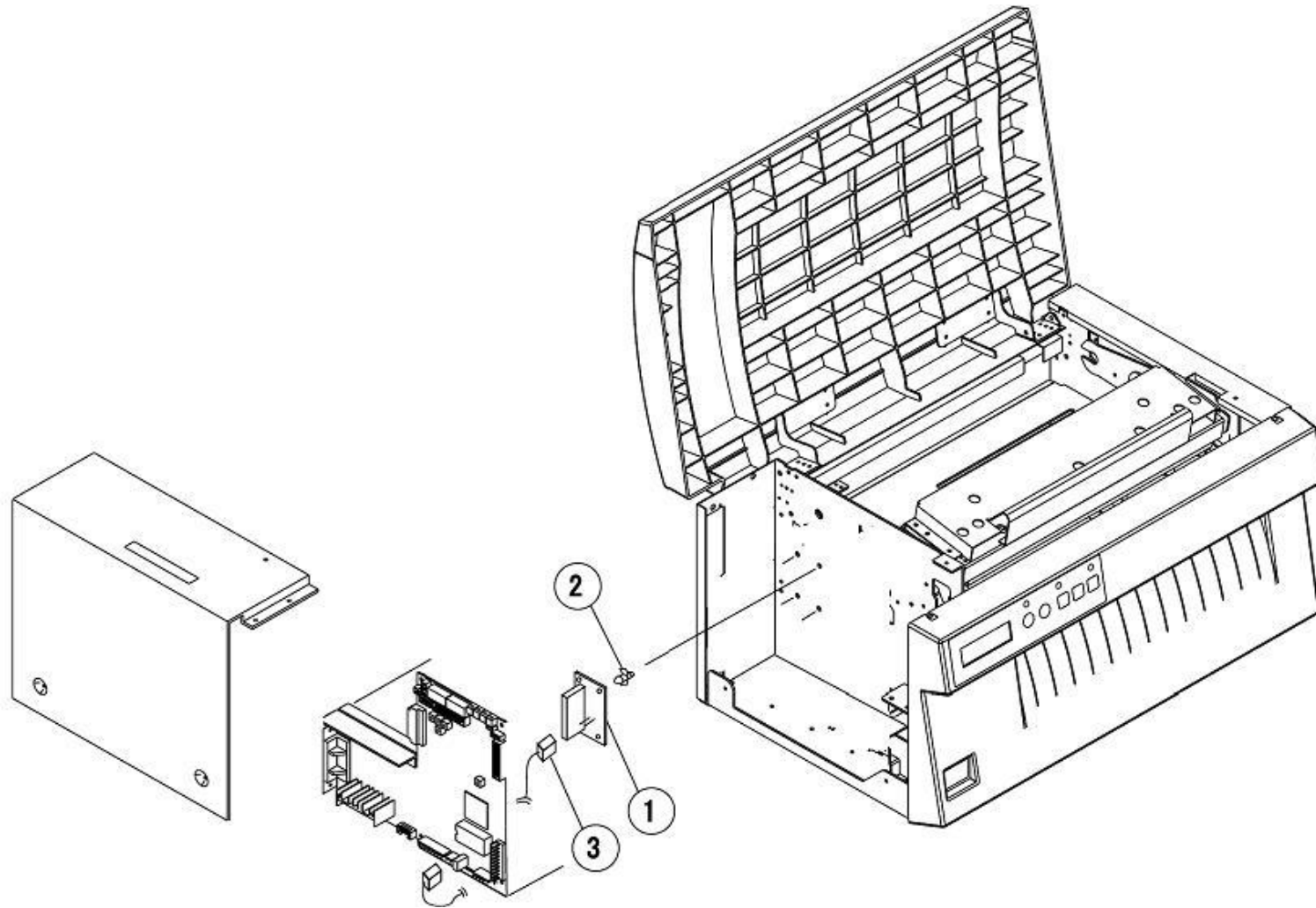
No	First_Code	Description		
1	P00271000	SIDE FRAME(L)SET		
2	MD4300622	PAN HEAD SCREW+SW+WL		
4	PA3A60400	PCB BRACKET(BOTTOM)		
5	MD0300422	PAN HEAD SCREW		
7	PA3A60500	PCB BRACKET(TOP)		
8	MD0300422	PAN HEAD SCREW		
10	PB0A62100	POST(COVER)		
11	MD4300622	PAN HEAD SCREW+SW+WL		
19	P03042000	RIBBON SHAFT(FF)		
20	MD4401022	PAN HEAD SCREW+SW+WL		
21	ND0060030	E RING		
22	PT9A60100	ONEWAY HINGE		
24	PA1A60100	SUPPORTER CLAMP(B)		
25	MJ9300322	THIN HEAD SCREW		
31	PA3A60300	PLATE(ESCAPE)L		
32	PC2A60100	SPRING(FEED ROLLER)L		
33	PB0A60202	SHAFT(SPRING)		
34	P00669000	SPRING(FEED ROLLER)		
35	MD4301422	PAN HEAD SCREW+SW+WL		



M-10e(TT/DT) SERVICE PARTS LIST

AssyName CONT PCB ASSY

No	First_Code	Description		
1	R01077002	CONT PCB ASSY		
2	MD4300622	PAN HEAD SCREW+SW+WL		
3	MA2300622	BIND HEAD SCREW		

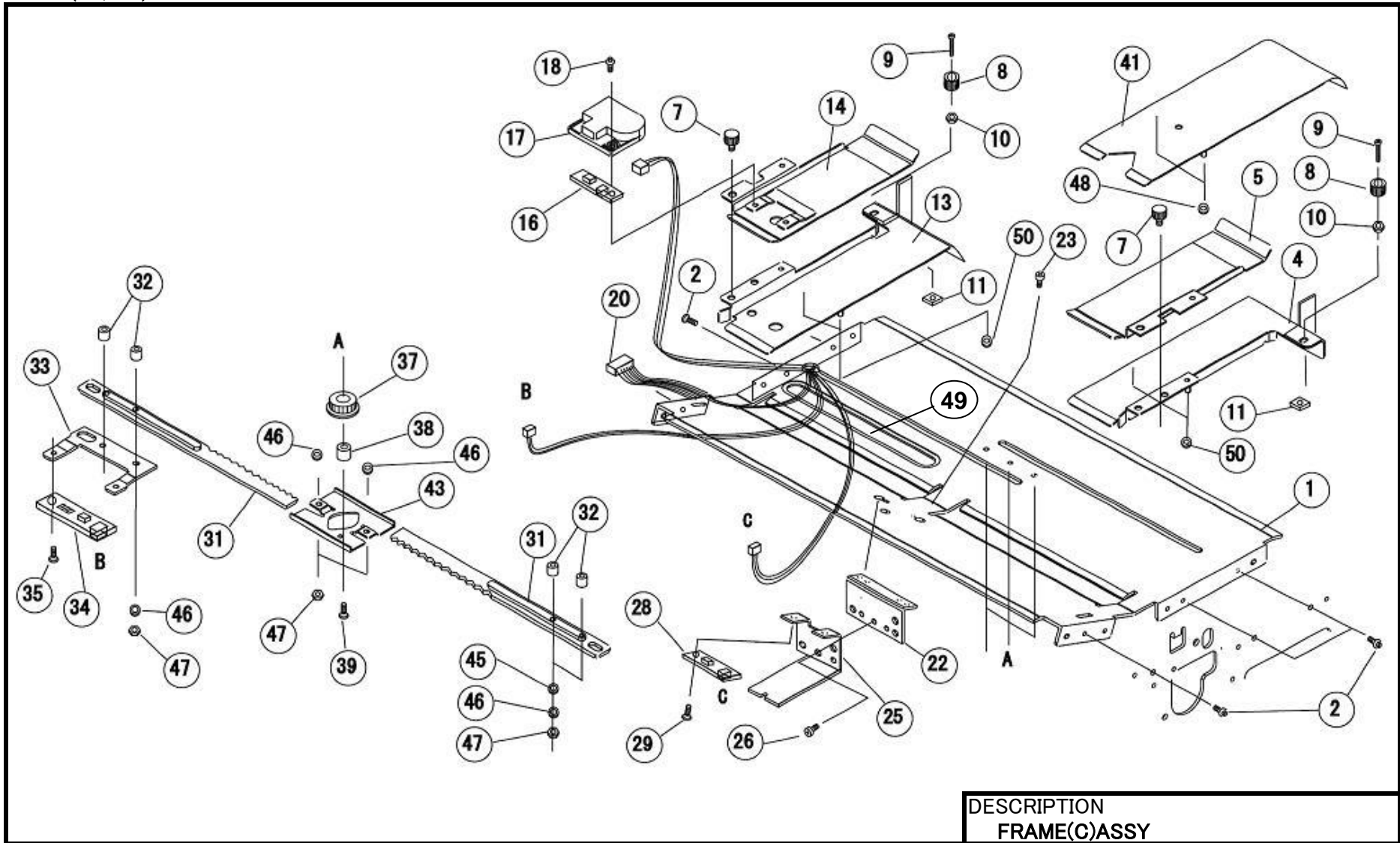


DESCRIPTION
RBM PCB SET

M-10e(TT/DT) SERVICE PARTS LIST

AssyName RBM PCB SET

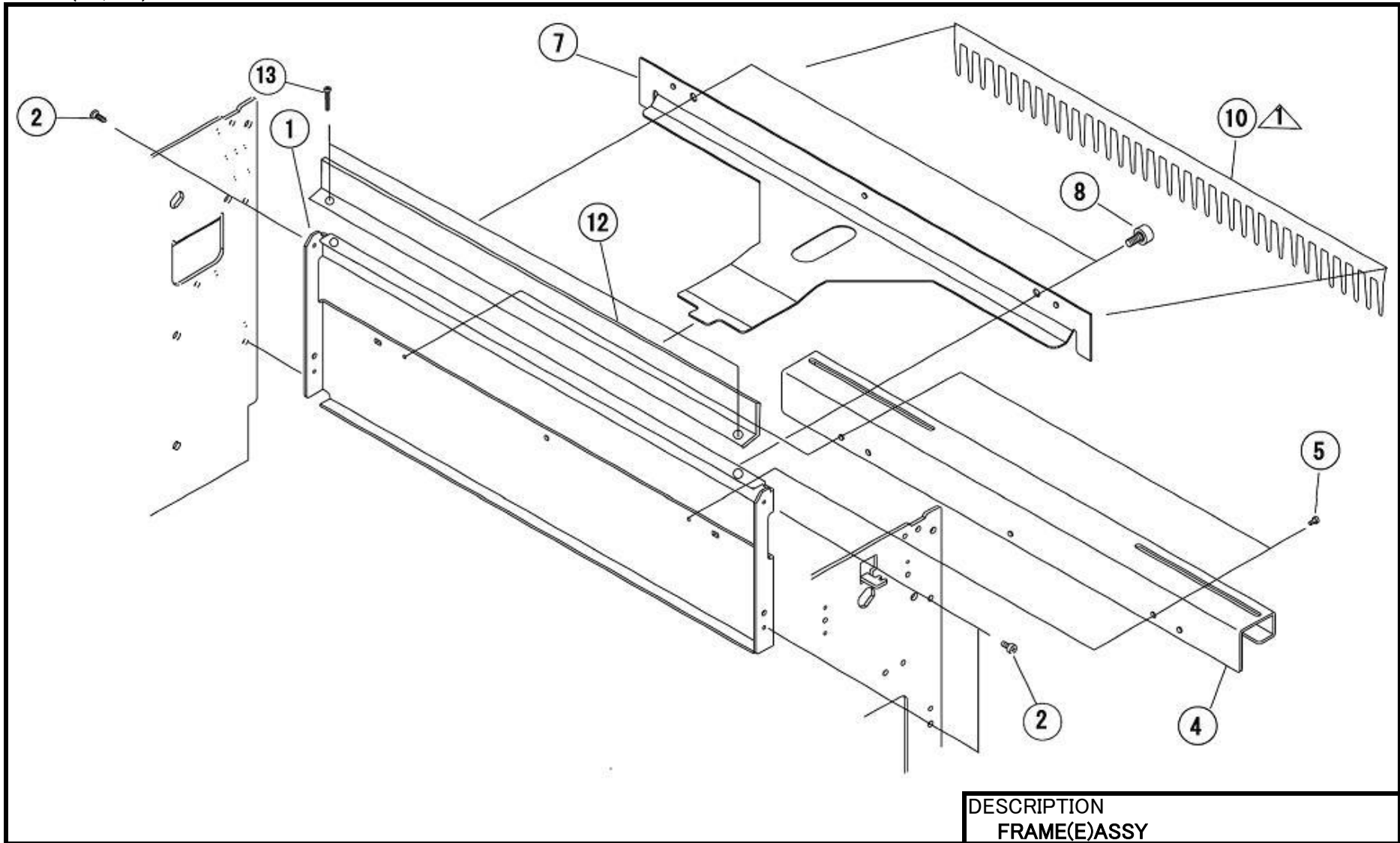
No	First_Code	Description		
1	RJ1A60500	RBM PCB SET		
2	KE900711A	CARD SPACER		
3	RH1A61101	RBMP CORD SET		



M-10e(TT/DT) SERVICE PARTS LIST

AssyName FRAME(C)ASSY

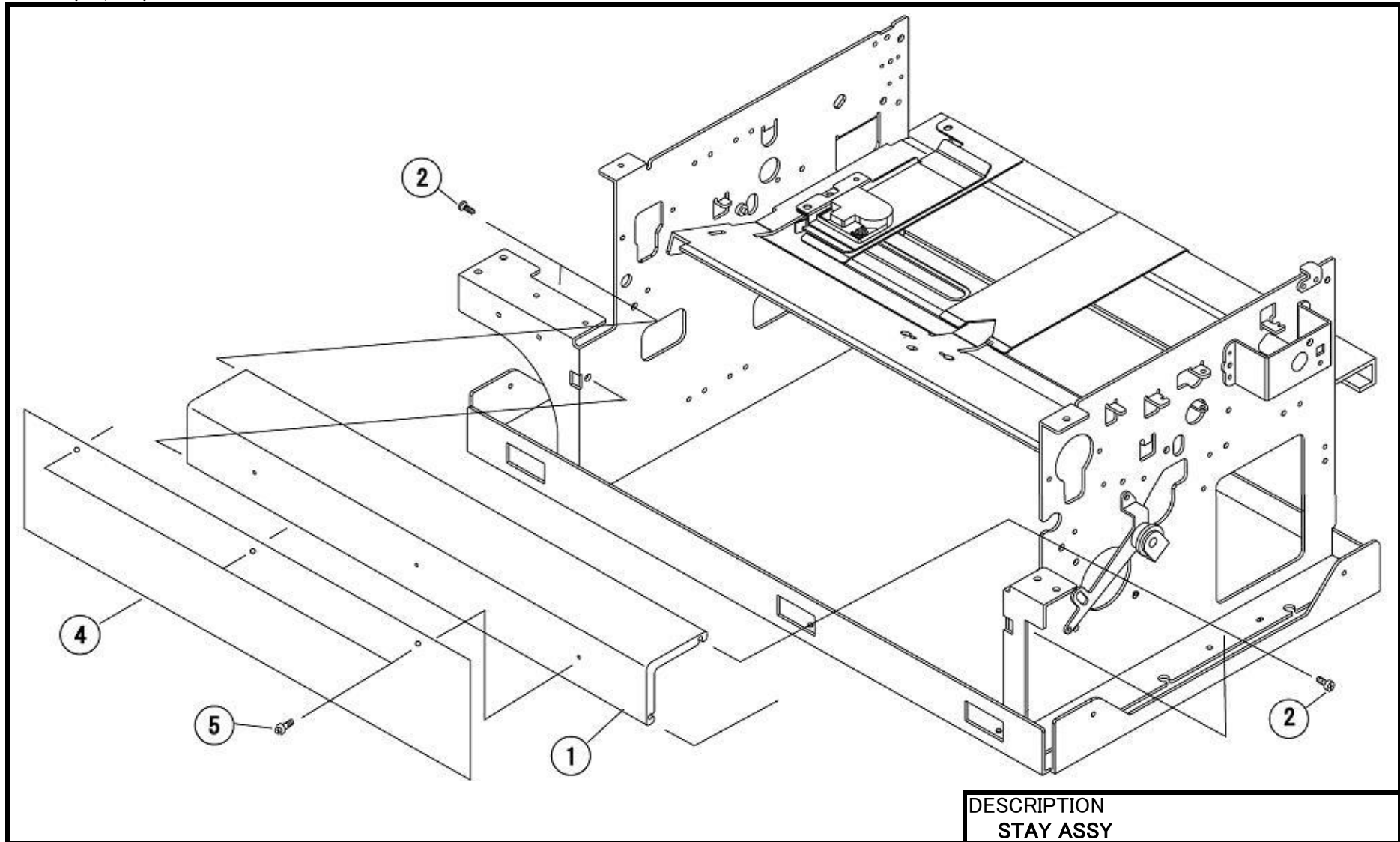
No	First_Code	Description		
1	PR4A60001	FRAME(C)		
2	MD4300622	PAN HEAD SCREW+SW+WL		
4	PR3A60002	RACK PLATE(R)		
5	PA3A61300	GUIDE PLATE(R)		
7	PT9A60200	KNURLING SCREW		
8	PE2750400	GUIDE COLLAR (STACKER)		
9	MC0301622	PAN HEAD SCREW+TW		
10	MT1300522	HEXAGON NUT		
11	PA1A60000	NUT PLATE		
13	PR3A60102	RACK PLATE(L)		
14	PR3A60510	GUIDE PLATE(L)		
16	RJ1A60300	SEN2 PCB SET		
17	PE6A60001	COVER(SENSOR)		
18	MD0300522	PAN SCREW+SW		
20	RH1A61001	SEN CORD SET		
22	PA3A61100	SENSOR BRACKET(E)		
23	MA1300422	FLAT HEAD SCREW		
25	PA3A61000	SENSOR BRACKET(B)		
26	MD4300622	PAN HEAD SCREW+SW+WL		
28	RJ1A60400	SEN3 PCB SET		
29	MD4300422	PAN HEAD SCREW+SW+WL		
31	PE8A60010	PLATE(RACK)		
32	P00585010	COLLAR(3*4.9*4.4)		
33	PA3A61700	SENSOR BRACKET(F)		
34	RJ1A60200	SEN1 PCB SET		
35	MD4300422	PAN HEAD SCREW+SW+WL		
37	PE8500200	GEAR (0.8*16)		
38	P00619000	COLLAR(3*5.8*1.8)		
39	MD4300622	PAN HEAD SCREW+SW+WL		
41	PR3A60201	GUIDE PLATE(BOTTOM)		
43	PA3A61800	GUIDE PLATE(RACK)(A)		
45	NA1030022	PLAIN WASHER		
46	NB0030022	SPRING WASHER		
47	MT1300522	HEXAGON NUT		
48	NA1030022	PLAIN WASHER		
49	PA2A60020	PROTECTOR (SENSOR)		SIE modified(12/05/2015)
50	NA1030022	PLAIN WASHER		



M-10e(TT/DT) SERVICE PARTS LIST

AssyName FRAME(E)ASSY

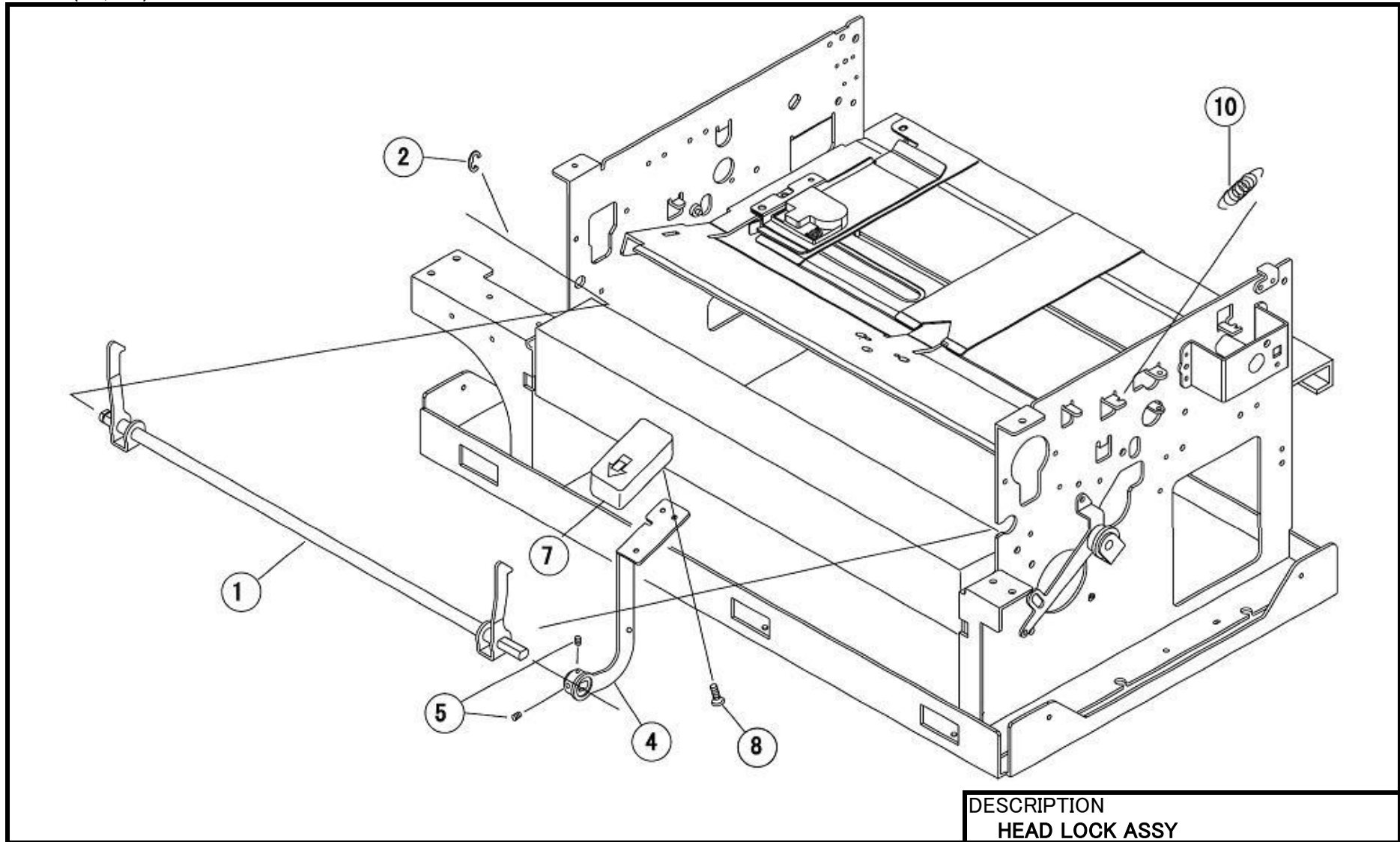
No	First_Code	Description		
1	PA3A61910	FRAME(E)		
2	MD4300822	PAN HEAD SCREW+SW+WL		
4	PA3A62010	SLIDE GUIDE		
5	MD4300622	PAN HEAD SCREW+SW+WL		
7	PA3A62101	GUIDE PLATE(TOP)		
8	PT9A60200	KNURLING SCREW		
10	P15139000	ANTI STATIC SHEET		
12	PA3A66410	BEAM		
13	MD4300622	PAN HEAD SCREW+SW+WL		



M-10e(TT/DT) SERVICE PARTS LIST

AssyName STAY ASSY

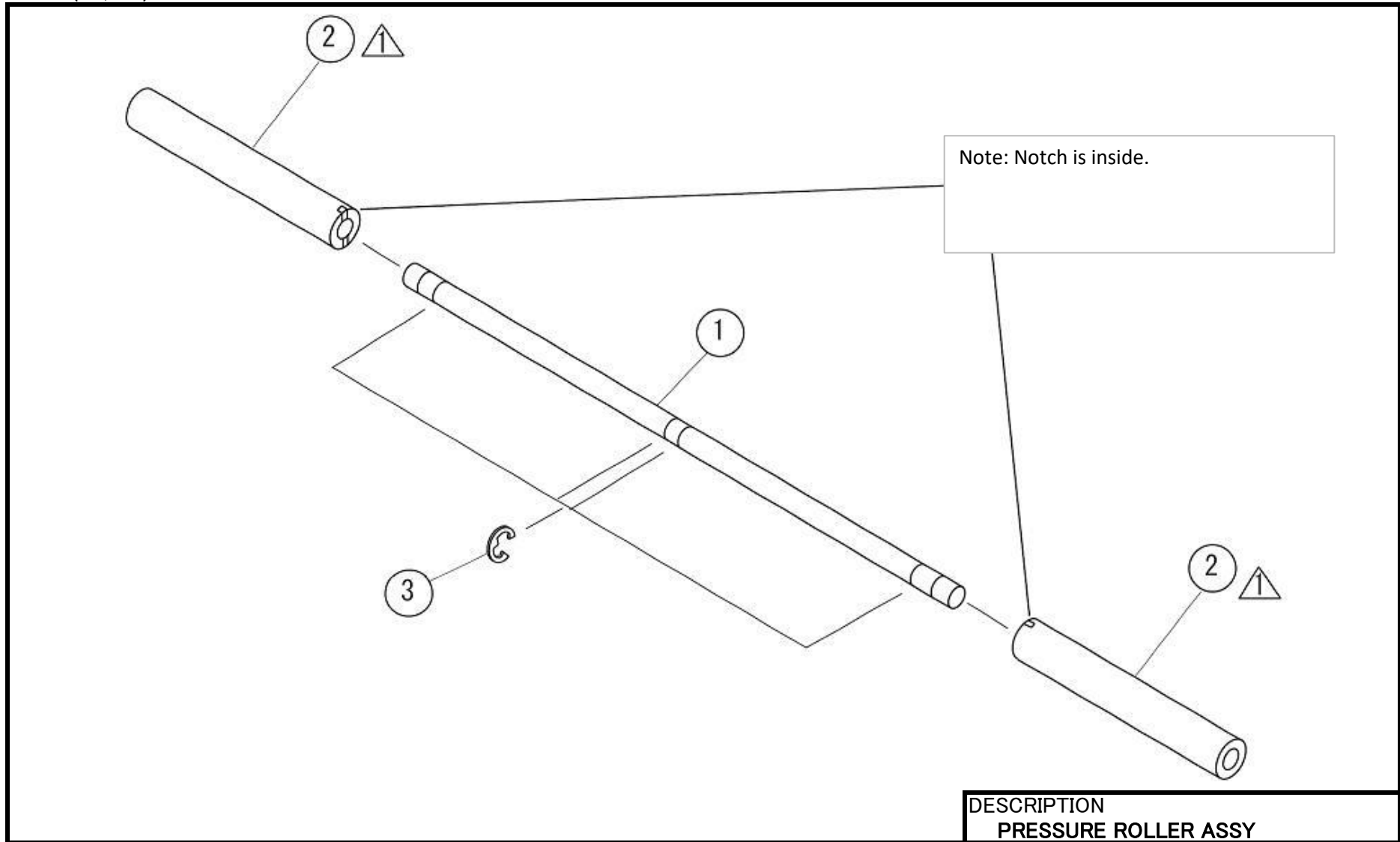
No	First_Code	Description		
1	PD1A60000	STAY(340)		
2	MD3401022	PAN HEAD SCREW+SW+WS		
4	P05711000	PROTECTOR		
5	MD4300622	PAN HEAD SCREW+SW+WL		



M-10e(TT/DT) SERVICE PARTS LIST

AssyName HEAD LOCK ASSY

No	First_Code	Description		
1	PR3A60300	HEAD LOCK SHAFT		
2	ND0060030	E RING		
4	PR3A60401	HEAD LOCK LEVER		
5	MJ1400524	HEX W-POINT SCREW		
7	PE6A60400	COVER(HEAD LOCK LEVER)		
8	MH0250621	PAN HEAD P TIGHT SCREW		
10	PC0A60000	HEAD LOCK SPRING		

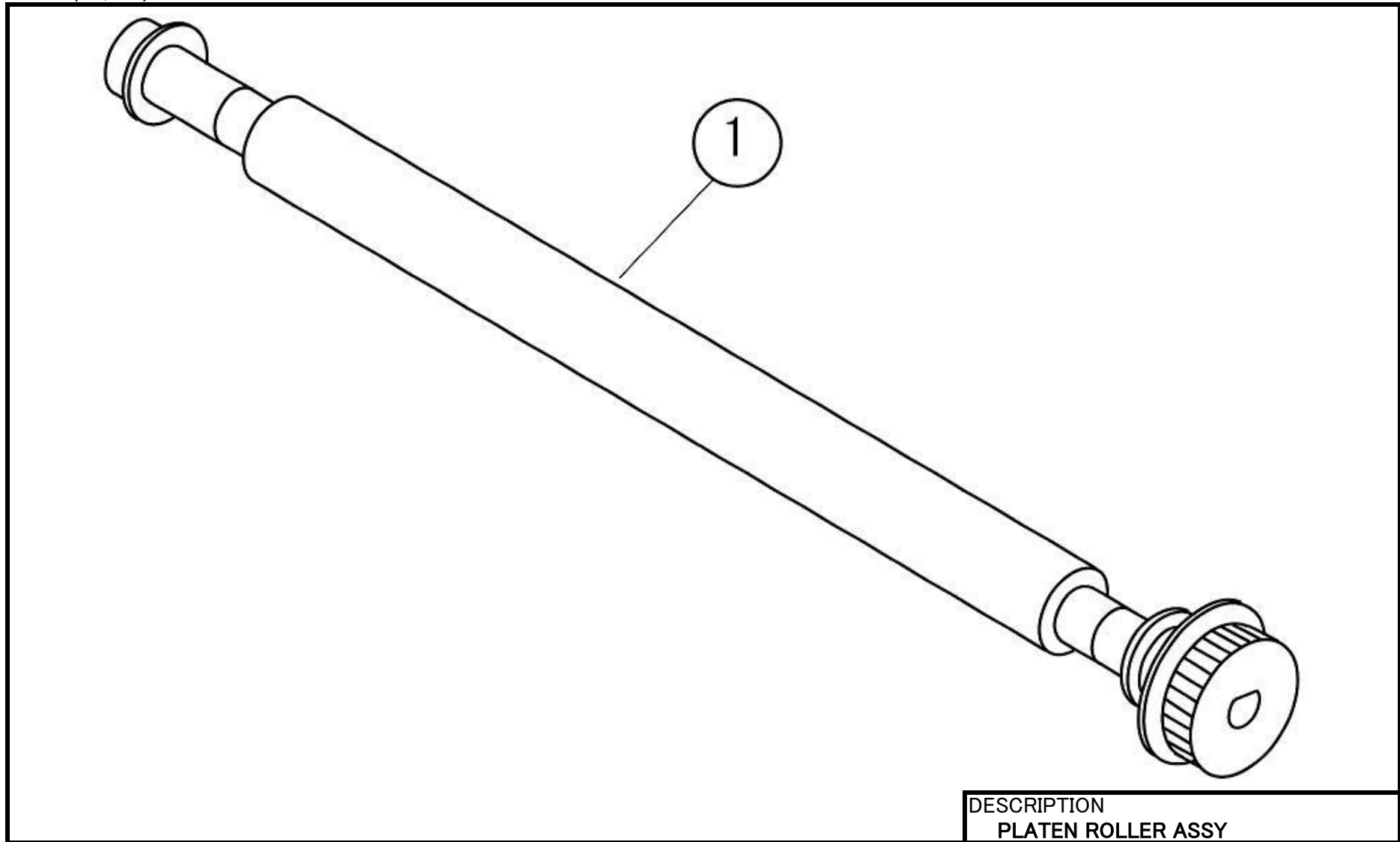


DESCRIPTION
PRESSURE ROLLER ASSY

M-10e(TT/DT) SERVICE PARTS LIST

AssyName PRESSURE ROLLER ASSY

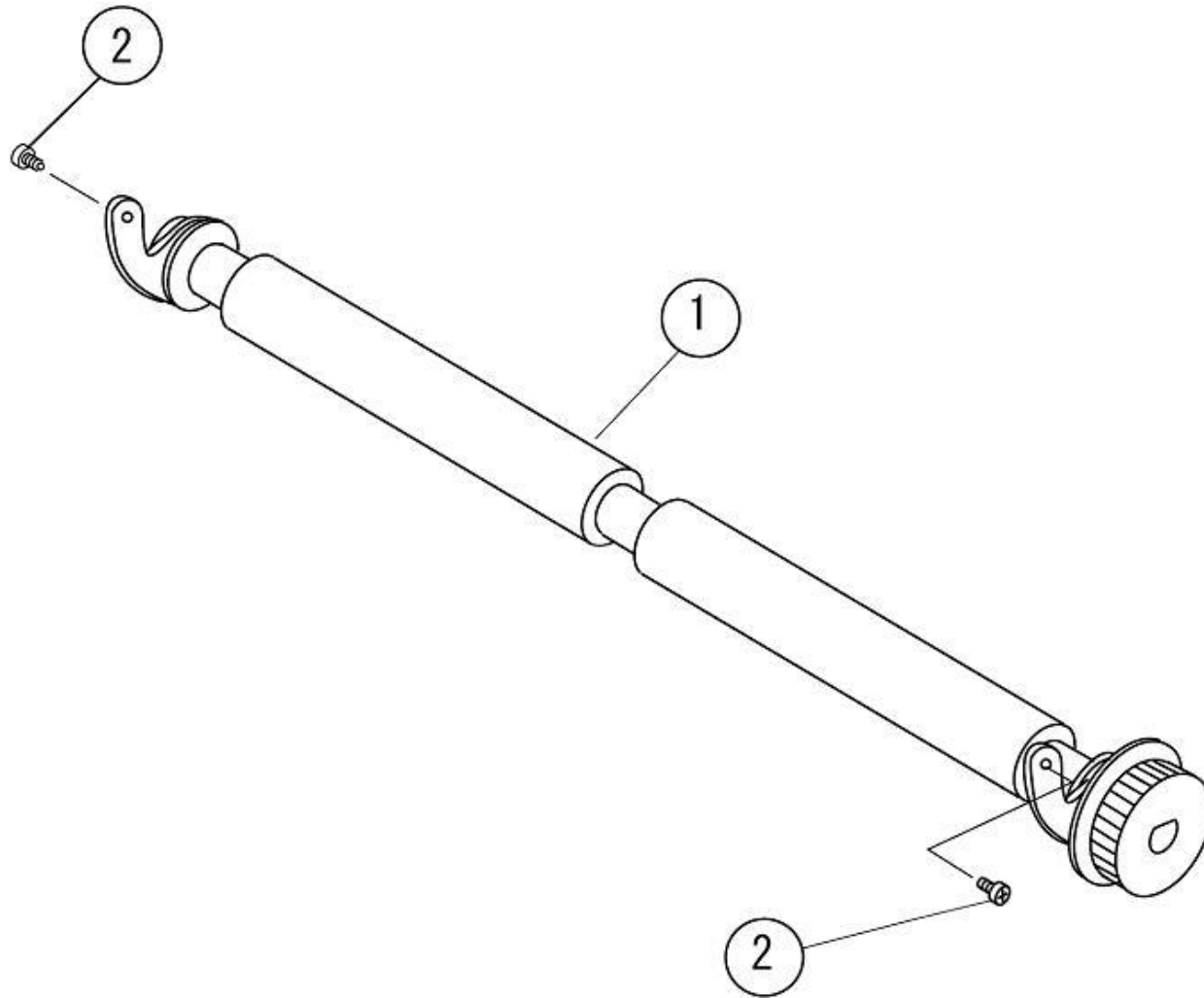
No	First_Code	Description		
1	PB0A60510	SHAFT(PRESSURE ROLLER)		SEG amended. 2017.11.24 F/C PB0A60510 R/C PB0A60520
2	P12496000	PRESSUR ROLLER		
3	ND0070030	E SNAP RING		



M-10e(TT/DT) SERVICE PARTS LIST

AssyName PLATEN ROLLER ASSY

No	First_Code	Description		
1	RC1A60100	PLATEN ROLLER SUB		

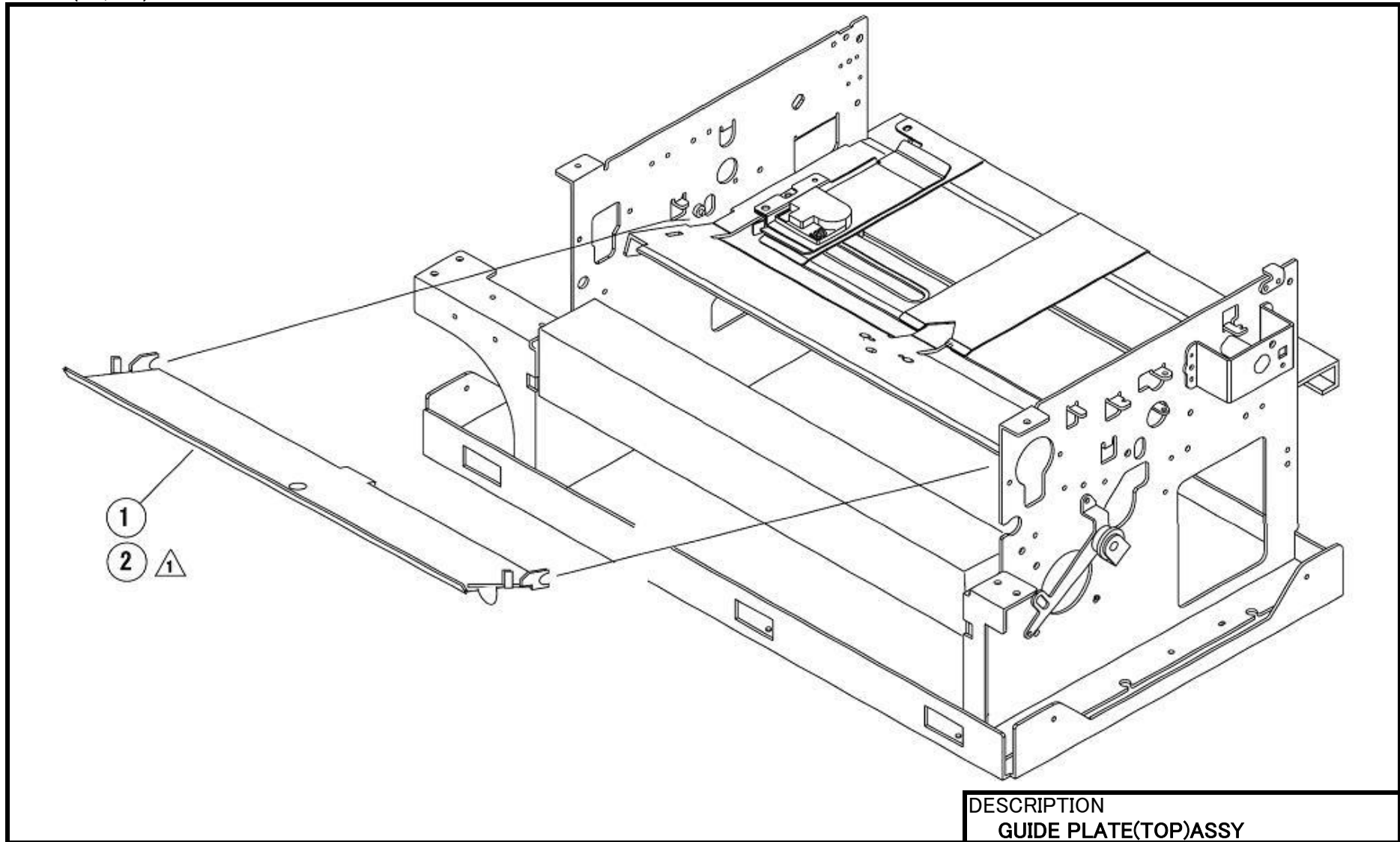


DESCRIPTION
FEED ROLLER ASSY

M-10e(TT/DT) SERVICE PARTS LIST

AssyName FEED ROLLER ASSY

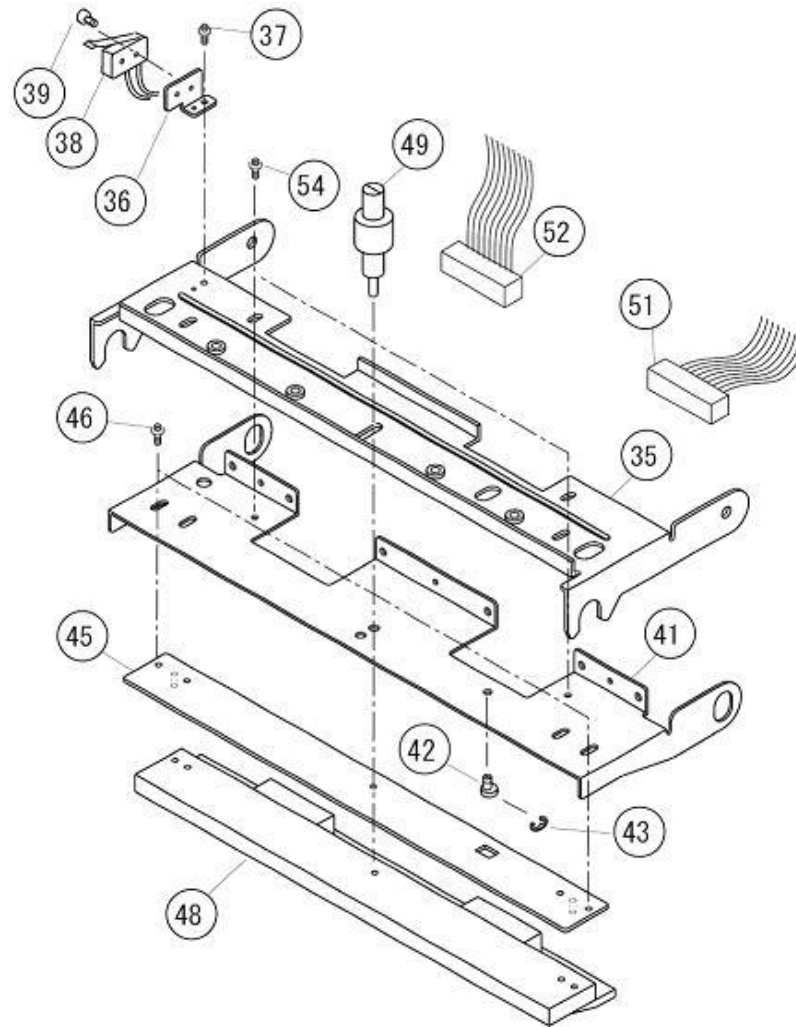
No	First_Code	Description		
1	RC1A60301	FEED ROLLER SUB		
2	MD4300621	PAN HEAD SCREW+SW+WL		



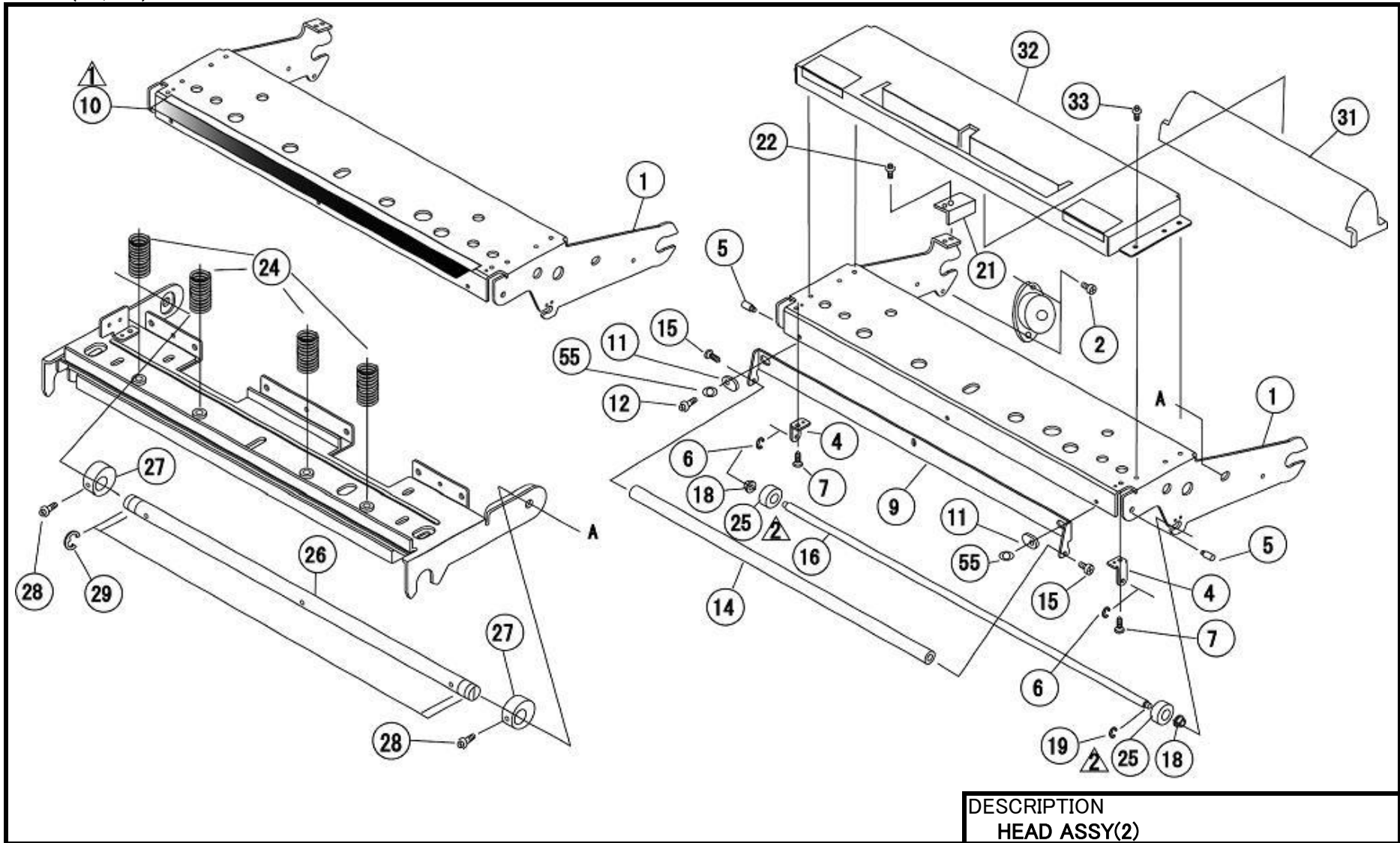
M-10e(TT/DT) SERVICE PARTS LIST

AssyName GUIDE PLATE(TOP)ASSY

No	First_Code	Description		
1	R01150000	GUIDE PLATE(TOP)		
2	R01874010	GUIDE PLATE(TOP)		



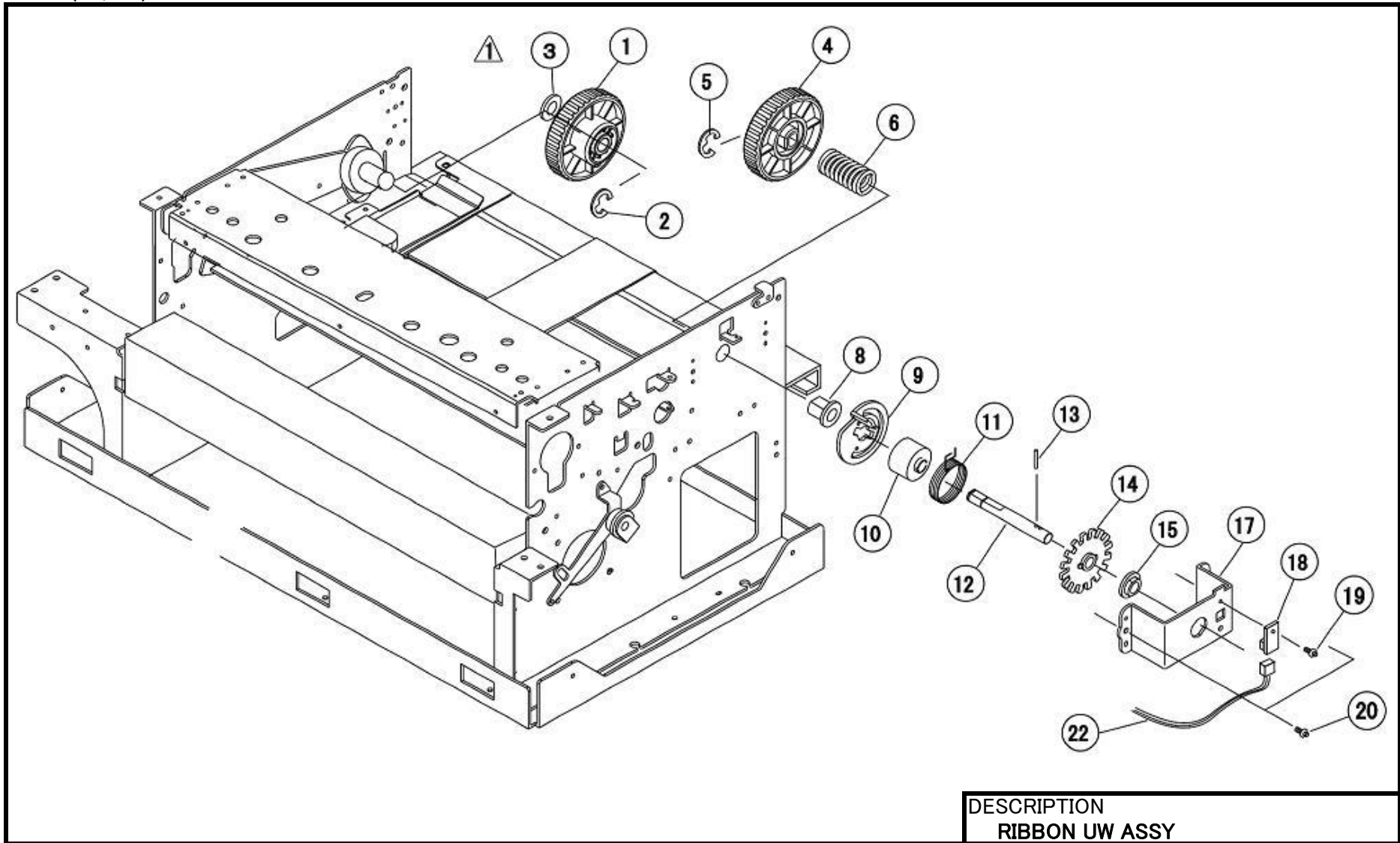
DESCRIPTION HEAD ASSY(1)



M-10e(TT/DT) SERVICE PARTS LIST

AssyName HEAD ASSY

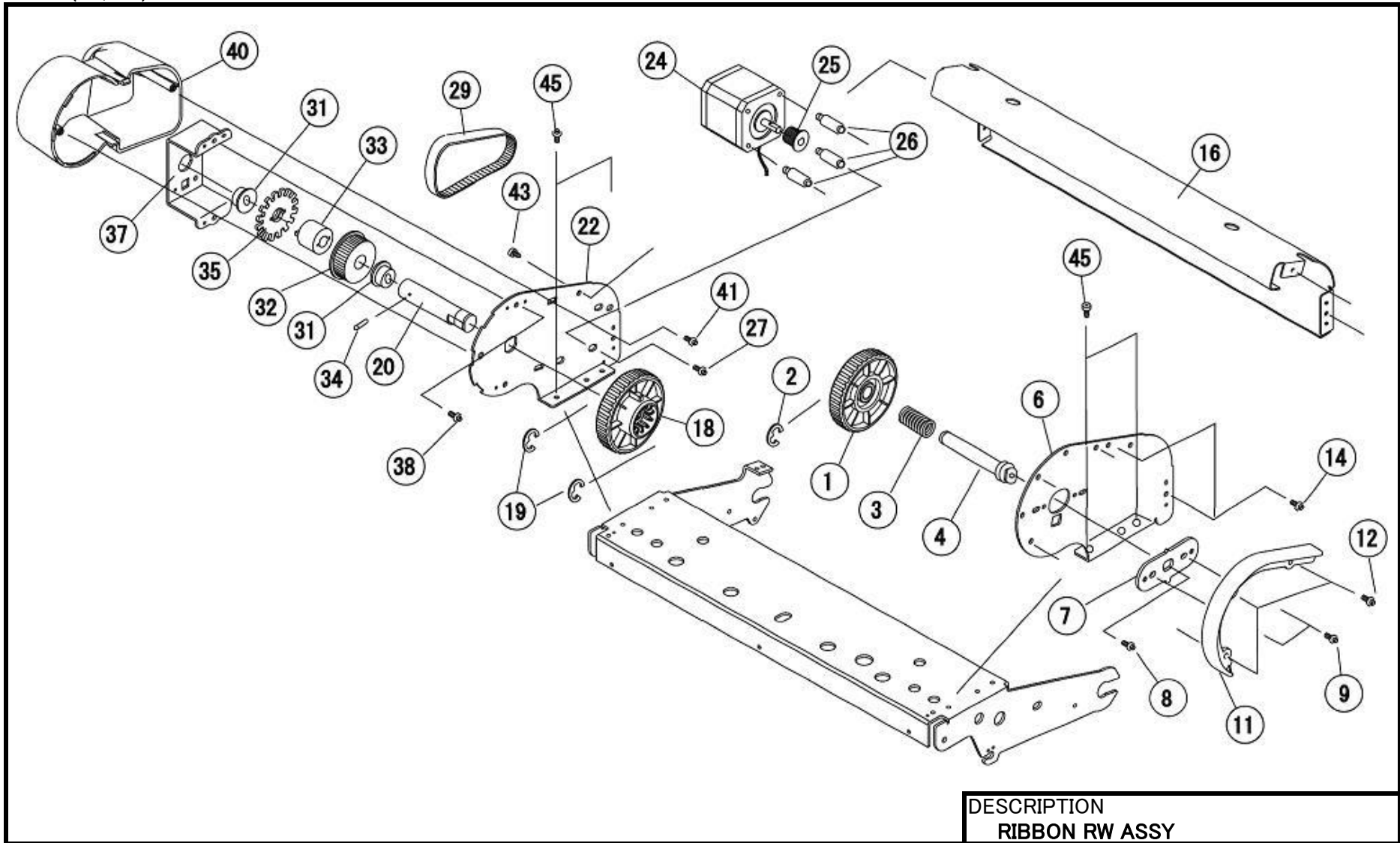
No	First_Code	Description		
1	PA3A62700	TOP FRAME		
2	MD4300622	PAN HEAD SCREW+SW+WL		
4	PA3A62800	HEAD CLOSE BRACKET		
5	PB0A60810	HEAD LOCK STUD		
6	ND0025030	E SNAP RING		
7	MD0300422	PAN HEAD SCREW		
9	PA3A63000	CONVERT PLATE		
10	P09187000	ANTI STATIC BRUSH		
11	PL2720100	ADJUST COLLAR		
12	MD4300822	PAN HEAD SCREW+SW+WL		
14	PB0A60900	CONVERT SHAFT		
15	MA0300622	PAN HEAD SCREW		
16	PR7A60000	SHAFT(RIBBON)		
18	PT2A60100	BEAR FIGHT		
19	ND0030030	E RING RING		
21	P03038000	CABLE GUIDE		
22	MD4300622	PAN HEAD SCREW+SW+WL		
24	PC1A60000	HEAD SPRING		
25	PE0A60000	DAMPER		
26	PB0A61001	HEAD ADJUST SHAFT		
27	PB5A60100	HEAD ADJUST CAM		
28	MA0301422	PAN HEAD SCREW		
29	ND0050030	E SNAP RING		
31	PE6A60600	HANDLE		
32	PR4A60701	HANDLE		
33	MD4300622	PAN HEAD SCREW+SW+WL		
35	PA3A63101	HEAD FRAME		
36	PA3A63200	HEAD OPEN SW BR.		
37	MD4300622	PAN HEAD SCREW+SW+WL		
38	RH1A60500	HO CODE SET		
39	MD0231022	PAN HEAD SCREW		
41	PA3A63300	HEAD ADJUST PLATE		
42	PB5A60000	POST(ECCENTRIC)		
43	ND0030030	E RING RING		
45	PR1A60110	ADJUST PLATE(HEAD)		
46	MD4301022	PAN HEAD SCREW+SW+WL		
48	PR7A60101	THERMAL HEAD		
49	P02551000	POST(HEAD)		
51	RH1A60400	HDP CORD SET		
52	RH1A60610	HDS CORD SET		
54	MD4300822	PAN HEAD SCREW+SW+WL		
55	NA1030022	PLAIN WASHER		



M-10e(TT/DT) SERVICE PARTS LIST

AssyName RIBBON UW ASSY

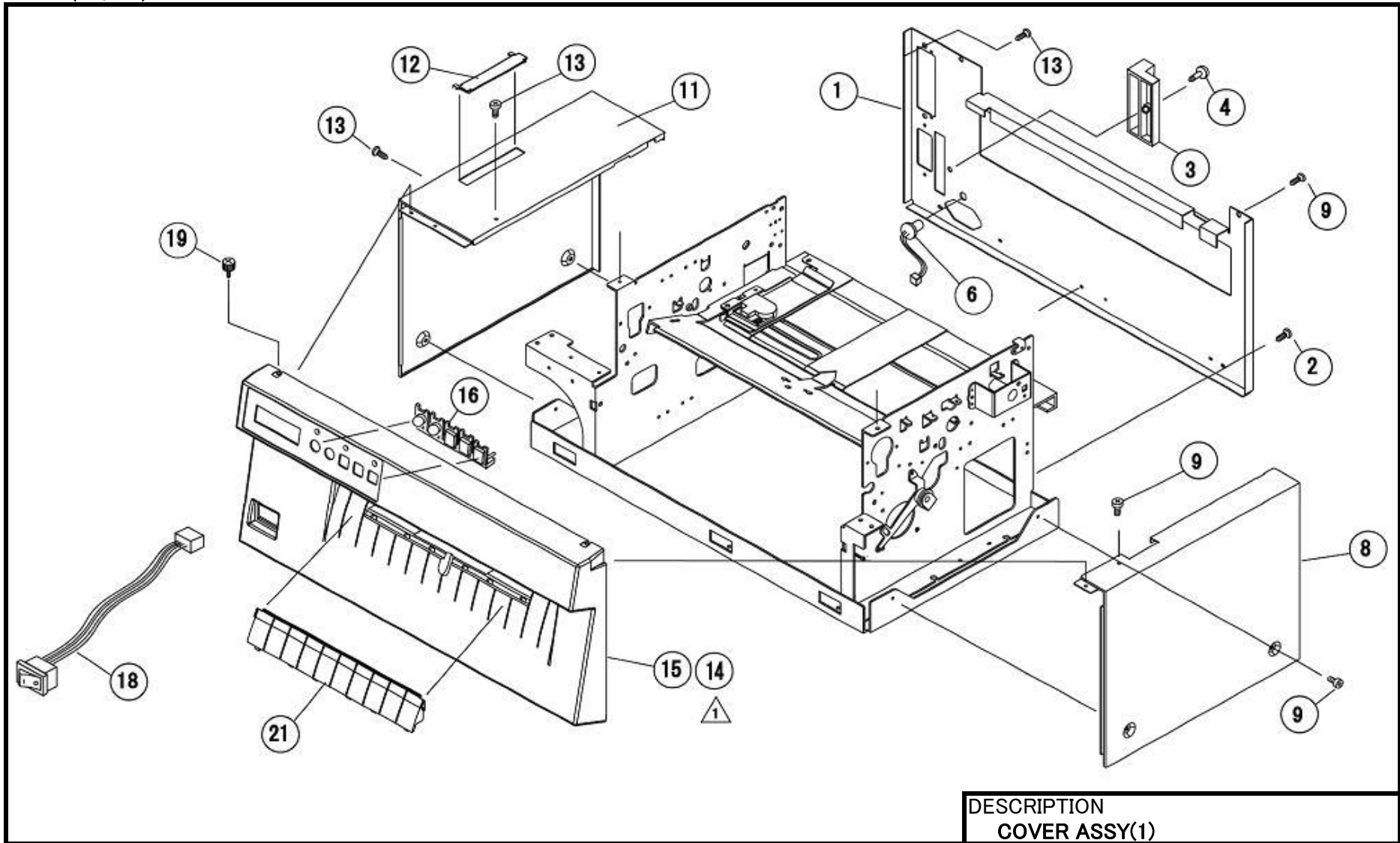
No	First_Code	Description		
1	PE4A60200	RIBBON BOBBIN(FF)		
2	ND0060030	E RING		
3		POLY SLIDER		
4	PE4A60000	RIBBON BOBBIN(TORQUE)		
5	ND0060030	E RING		
6	PC1A60100	SPRING(BOBBIN)		
8	PV0A60000	BEAR FIGHT		
9	PA3A63500	SLACK PLATE(L)		
10	PT9A60400	TORUGUE LIMITTER		
11	PC2A60201	TORSION SPRING		
12	PB0A61200	RIBBON SHAFT(TORQUE)		
13	NG2201430	PARALLEL PIN		
14	PE2A60000	ENCODER PLATE		
15	PT2A60300	BEAR FIGHT		
17	PA3A60200	RIBBON BRACKET(RL)		
18	RJ1A60601	CSEN PCB SET		
19	MA2300422	BIND HEAD SCREW		
20	MD0300422	PAN HEAD SCREW		
22	RH1A61300	CSEN CORD SET		

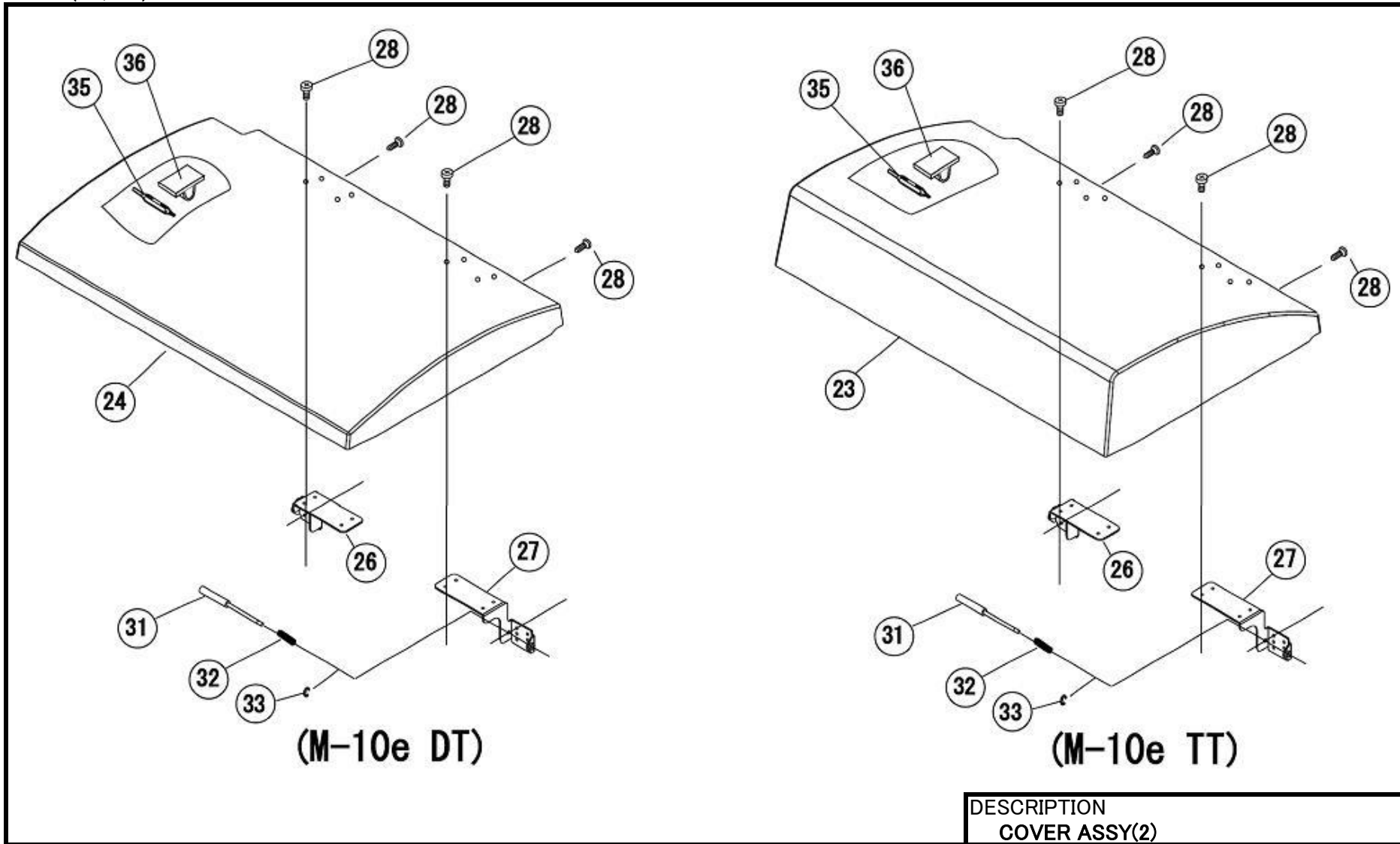


M-10e(TT/DT) SERVICE PARTS LIST

AssyName RIBBON RW ASSY

No	First_Code	Description		
1	PE4A60200	RIBBON BOBBIN(FF)		
2	ND0060030	E RING		
3	PC1A60100	SPRING(BOBBIN)		
4	PB0A61300	RIBBON SHAFT(RW)		
6	PA3A63600	RIBBON FRAME(R)		
7	PA2A60300	PLATE(RIBBON ADJUST)		
8	MD4400822	PAN HEAD SCREW+SW+WL		
9	MD4300622	PAN HEAD SCREW+SW+WL		
11	PE6A60101	EDGE COVER		
12	PT9500200	NYLON RIVET		
14	MD4300622	PAN HEAD SCREW+SW+WL		
16	PA3A63900	COVER(LINK)		
18	PE4A60000	RIBBON BOBBIN(TORQUE)		
19	ND0060030	E RING		
20	PB0A61200	RIBBON SHAFT(TORQUE)		
22	PA3A63700	RIBBON FRAME(L)		
24	RH1A61801	RBM-EXT CORD SET		
25	PE8A60300	PULLEY(S2M*20)		
26	PB0A61401	STUD(RIBBON MOTOR)		
27	MD4300622	PAN HEAD SCREW+SW+WL		
29	PU3204060	TIMING BELT(S2M*204)		
31	PT2A60300	BEAR FIGHT		
32	PE8A60200	PULLEY(S2M*48)		
33	P00005000	TORQUE LIMITTER		
34	NG2201430	PARALLEL PIN		
35	PE2A60000	ENCODER PLATE		
37	PA3A63800	RIBBON BRACKET(L)		
38	MD4300622	PAN HEAD SCREW+SW+WL		
40	PE6A60201	MOTOR COVER		
41	MH9300822	PAN HEAD P TIGHT SCREW		
43	MD4300622	PAN HEAD SCREW+SW+WL		
45	MD4300622	PAN HEAD SCREW+SW+WL		

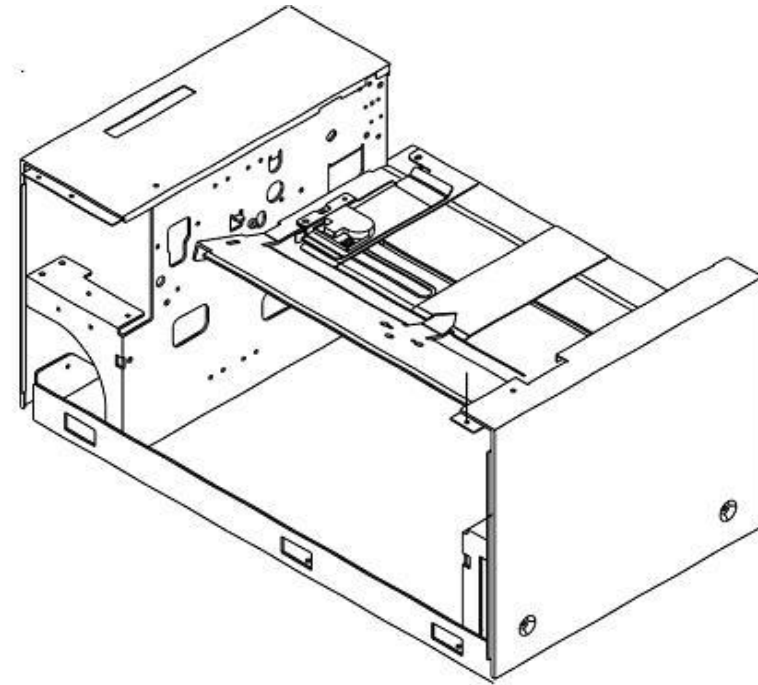
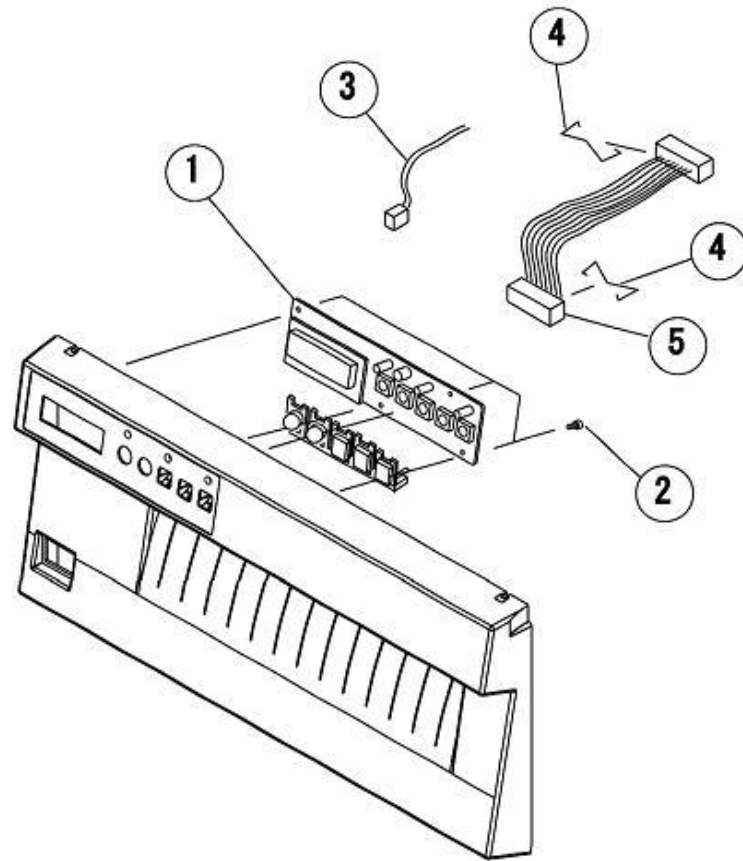




M-10e(TT/DT) SERVICE PARTS LIST

AssyName COVER ASSY

No	First_Code	Description		
1	R01161011	REAR COVER SET		Changed by SEG 2018.12.17 (Old) R01457000 > (New) R01161011
2	MA2300622	BIND HEAD SCREW		
3	PE6771001	MEMORY CARD COVER		
4	PB5A20001	HEAD SCREW		
6	RH1A61601	LED CORD SET		
8	PH1A60102	SIDE COVER(R)		
9	MA2300622	BIND HEAD SCREW		
11	R01442000	SIDE COVER(L)SET		
12	PE6A60300	COVER(DSW)		
13	MA2300622	BIND HEAD SCREW		
14	R01884001	FRONT COVER		
15	R01114000	FRONT COVER		
16	PZ0A60300	KEY TOP		
18	RH1A60100	ACSW CORD SET		
19	MA2300622	BIND HEAD SCREW		
21	PH0A60100	CUTTER COVER		
23	PH1A60300	TOP COVER(T)		
24	PH1A60400	TOP COVER(D)		
26	PA3A64800	HINGE PLATE(L)		
27	PA3A64900	HINGE PLATE(R)		
28	MA2300622	BIND HEAD SCREW		
31	PB0A61500	RELEASE SHAFT		
32	PC1A60201	SPRING(RELEASE)		
33	ND0030030	E RING RING		
35	PE6A21900	MICRO DRAIVER		
36	JG100551A	CK CLAMP		

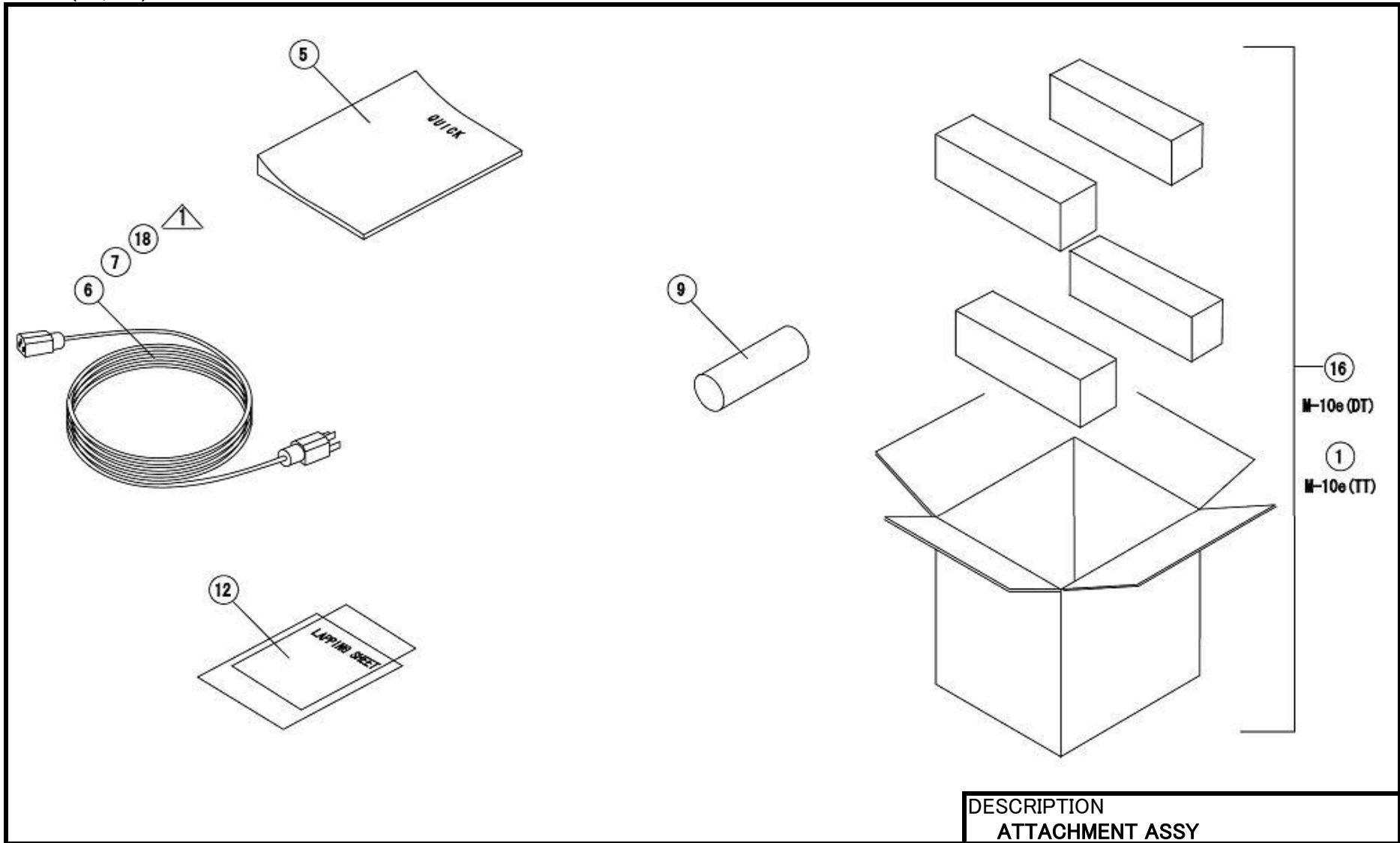


DESCRIPTION KB PCB SET

M-10e(TT/DT) SERVICE PARTS LIST

AssyName KB PCB SET

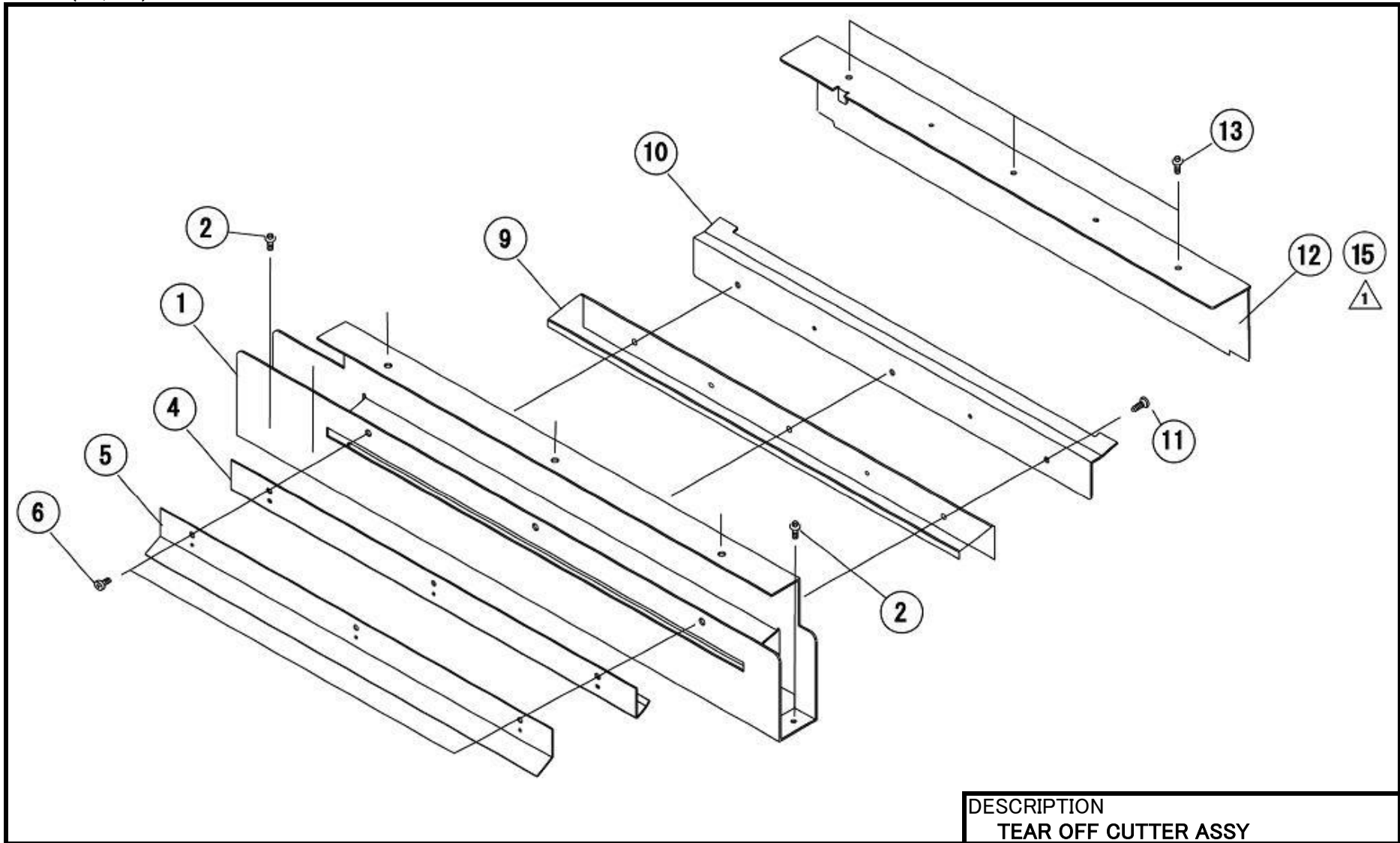
No	First_Code	Description		
1	R00109001	KB PCB SET		SEG amended 2016.11.9
2	MH0300821	P-TIGHT SCREW		
3	RH1A60800	LCD CORD SET		SEG amended 2016.11.9
4	PC9730100	SPRING(LOCK)		
5	RH1A60700	KB CABLE ASSEMBLY		SEG amended 2016.11.9



M-10e(TT/DT) SERVICE PARTS LIST

AssyName ATTACHMENT

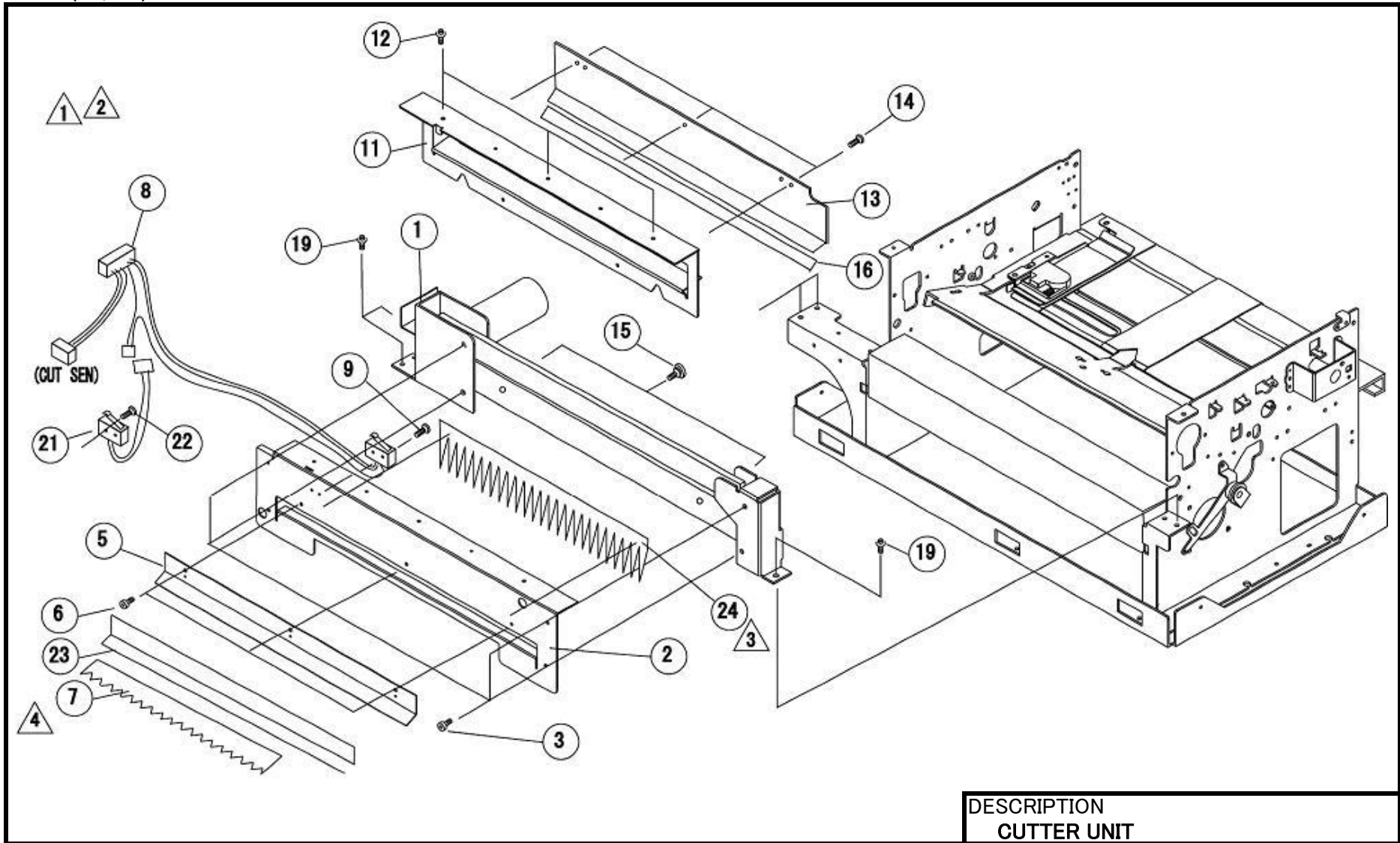
No	First_Code	Description		
1	Q00351000	PACKING SUB ASSY(TT)		
5	Q00350000	QUICK GUIDE		
6	JH000071A	POWER CORD(3M)-LF		
7	JH000052A	POWER CORD(220V)-LF		
9	QL1009110	PAPER CORE(279)		
12	Q00826000	LAPPING SHEET SET(10W)		
16	Q00352000	PACKING SUB ASSY(DT)		
18	H00363000	POWER CODE-LF		



M-10e(TT/DT) SERVICE PARTS LIST

AssyName TEAR OFF CUTTER ASSY

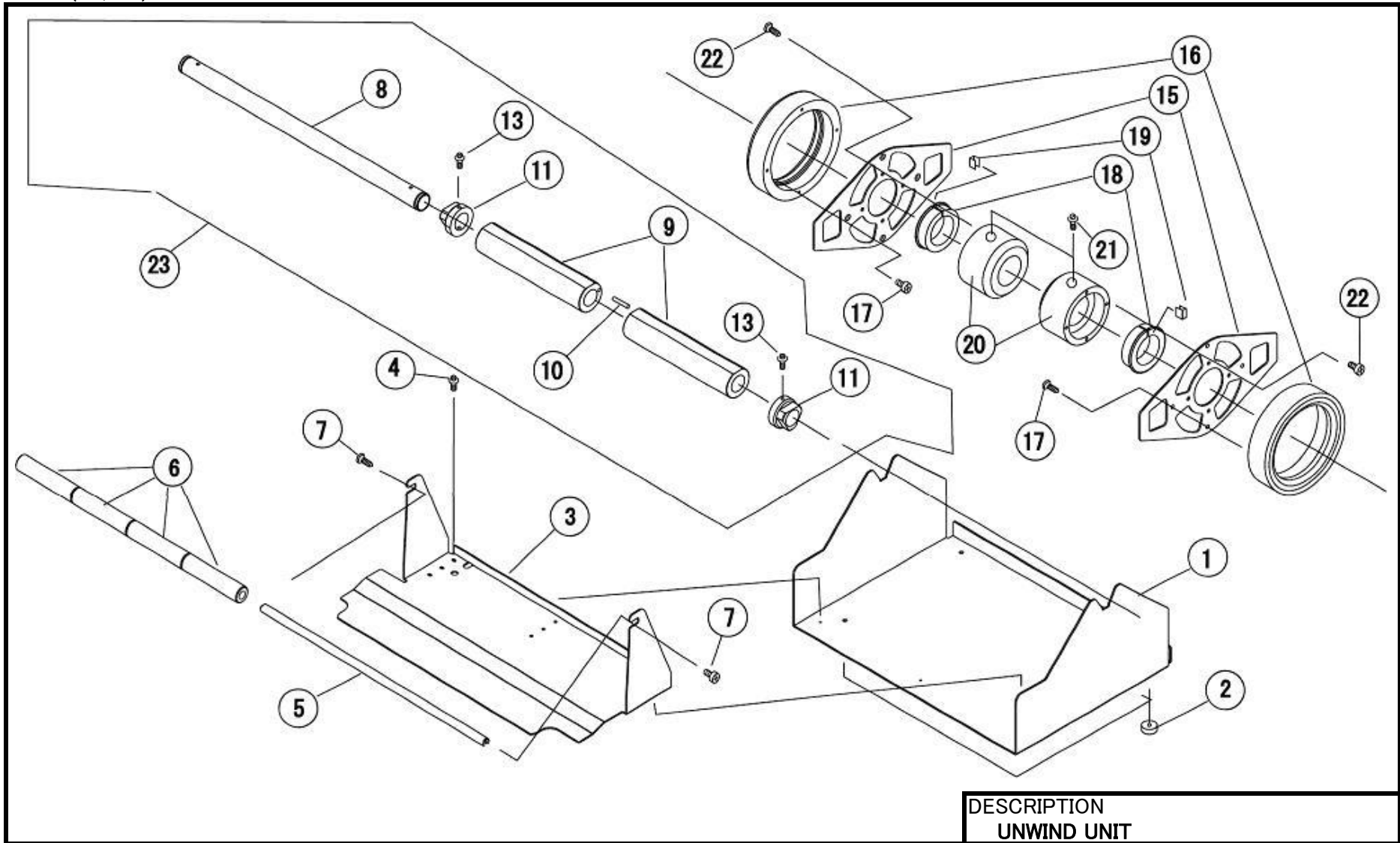
No	First_Code	Description		
1	PA3A64500	TEAR OFF CUTTER		
2	MD4300622	PAN HEAD SCREW+SW+WL		
4	PA3A64100	CUTTER GUIDE(A)		
5	PA3A66000	CUTTER GUIDE(C)		
6	MD4300622	PAN HEAD SCREW+SW+WL		
9	PA3A64600	TEAR OFF CUTTER GUIDE		
10	PR4A60400	CUTTER GUIDE UNDER(B)		
11	MD4300622	PAN HEAD SCREW+SW+WL		
12	R01060000	CUTTER BRACKET(B)		
13	MD4300622	PAN HEAD SCREW+SW+WL		
15	R01890000	CUTTER BRACKET(B)		



M-10e(TT/DT) SERVICE PARTS LIST

AssyName CUTTER UNIT

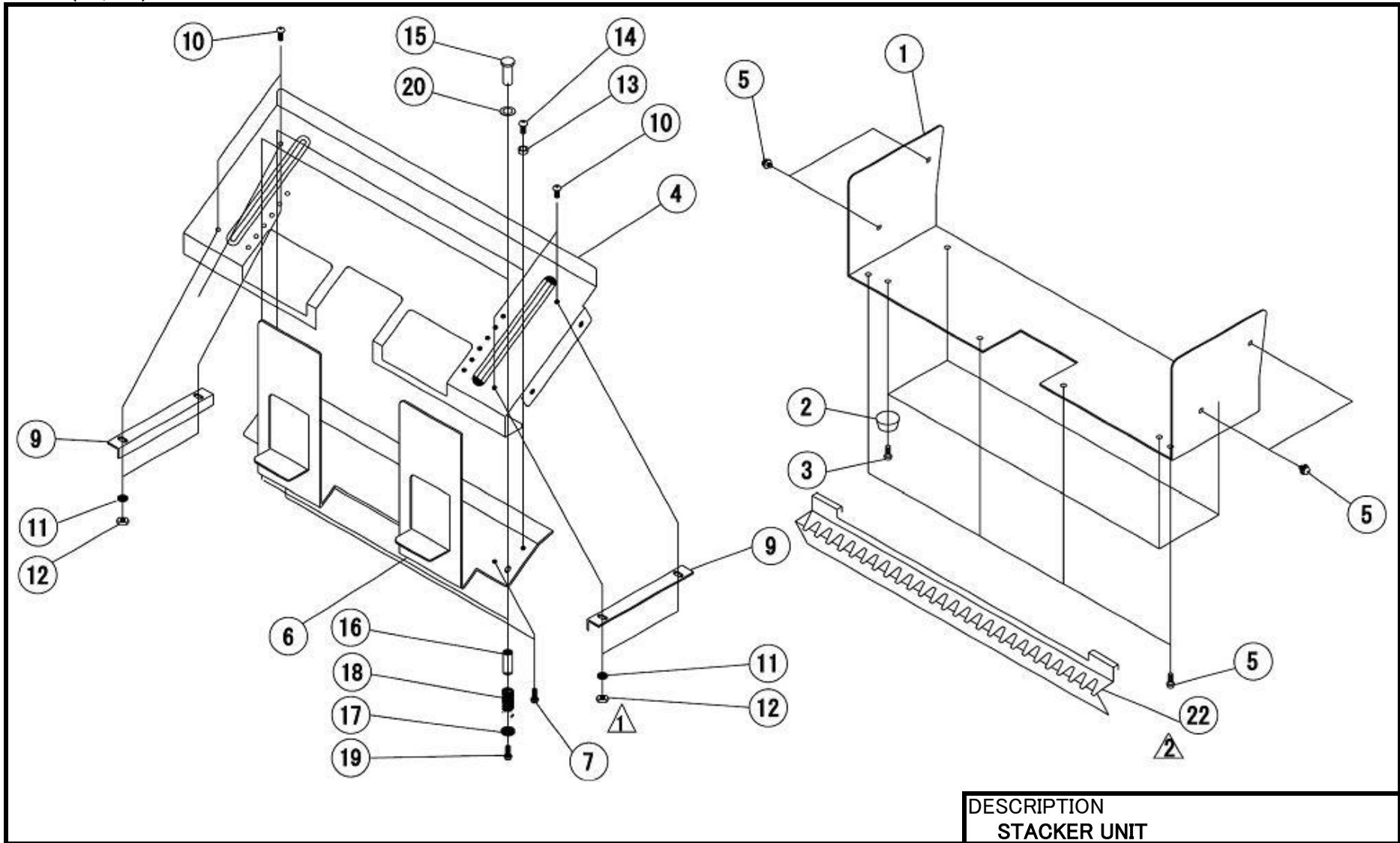
No	First_Code	Description		
1	PK1A60000	CUTTER UNIT		
2	P00751000	CUTTER BRACKET(A)SET		
3	MD4300622	PAN HEAD SCREW+SW+WL		
5	P00761000	CUTTER GUIDE(D)		
6	MD4300622	PAN HEAD SCREW+SW+WL		
7	P08520000	SHEET(THUNDERON)		
8	RH1A61901	CUTSEN CORD SET		
9	MD4231022	PAN HEAD SCREW+SW+WL		
11	R01059000	CUTTER BRACKET(C)		
12	MD4300622	PAN HEAD SCREW+SW+WL		
13	P00748000	CUTTER GUIDE TOP(D)		
14	MD4300622	PAN HEAD SCREW+SW+WL		
15	PB9A60200	GUIDE SCREW		
16	P00749000	CT GUIDE SHEET B		
19	MD4401022	PAN HEAD SCREW+SW+WL		
21	RH1A62001	CUTSW CORD SET		
22	MH0231022	P TIGHT SCREW		
23	P11670000	CUTTER GUIDE(G)		
24	P08520000	SHEET(THUNDERON)		



M-10e(TT/DT) SERVICE PARTS LIST

AssyName UNWIND UNIT

No	First_Code	Description		
1	PA5A60200	FRAME (UW)		
2	PT6680100	CASE LEG		
3	PA3A65502	ROLLER BRACKET		
4	MD4300622	PAN HEAD SCREW+SW+WL		
5	PB0A61800	SHAFT(ROLLER)		
6	PB3A60400	ROLLER(20*10*91)		
7	MD4401022	PAN HEAD SCREW+SW+WL		
8	PB0A61901	SHAFT(UW)		
9	PB3A60510	ROLL CORE(1.5)		
10	NG2401030	PARALLEL PIN		
11	PB2A60101	COLLAR		
13	NG3403630	SPRING PIN		
15	PA2A60401	ROLL GUIDE		
16	PB1A60000	HANDLE		
17	MA1400822	FLAT HEAD SCREW		
18	PE4080200	GUIDE STOPPER		
19	PA1210400	HOLD SPRING		
20	PB4A60001	ROLL CORE(3)		
21	PV0600100	KNURLING SCREW		
22	MD4401022	PAN HEAD SCREW+SW+WL		
23	PR1A60610	SHAFT(UW)		



M-10e(TT/DT) SERVICE PARTS LIST

AssyName STACKER UNIT

No	First_Code	Description		
1	P00190000	BASE FRAME(ST)		
2	P00222000	COLOR RUBBER FOOT		
3	MA0300622	PAN HEAD SCREW		
4	P00185000	CENTER FRAME(ST)		
5	MA2300622	BIND HEAD SCREW		
6	P00283000	ST.GUIDE SET		
7	MD0300622	PAN HEAD SCREW		
9	P00191000	_		
10	MA1300622	FLAT HEAD SCREW		
11	NA1030022	PLAIN WASHER		
12	MT1300522	HEXAGON NUT		
13	P00184000	COLLAR(3.2*5*2.1)		
14	MA7300522	TRUSS HEAD SCREW		
15	P00186000	SLIDE(POST)		
16	P00187000	COLLAR(5*6.4*10)		
17	NA0040022	PLAIN WASHER		
18	PC1A10200	SPRING (BELT)		
19	MD4301022	PAN HEAD SCREW+SW+WL		
20	P00906000	POLY SLIDER		
22	R05206000	GUIDE(PAPER)		