



DCS & Labelling Worldwide

M-84PRO Thermal Transfer Printer



PRO

Operation Manual

SATO Group of Companies <u>www.satoworldwide.com</u>	
SATO INTERNATIONAL PTE LTD 438A Alexandra Road #05-01/ 02, Alexandra Technopark, Singapore 119967 Tel: 65-6271-2122 Fax: 65-6271-2151 Email: sales@sato-int.com	SATO EUROPE NV Leuvensesteenweg 369, 1932 Sint-Stevens-Woluwe, Brussels, Belgium Tel: 32 (0)-2-788-80-00 Fax: 32 (0)-2-788-80-80 Email: info@sato-europe.com
SATO UK LTD Valley Road, Harwich, Essex England Co12 4RR, United Kingdom Tel: 44-1255-240000 Fax: 44-1255-240111 Email: enquiries@satouk.com	SATO DEUTSCHLAND GMBH Schaberweg 28, 61348 Bad Homburg, Germany Tel: 49 (0)-6-1726-8180 Fax: 49 (0)-6-1726-818-199 Email: info@sato-deutschland.de
SATO POLSKA SP Z O.O. Ul Okolna 2, 50-422 Wroclaw Poland Tel: 48-71-335-23-20 Fax: 48-71-335-23-25 Email: biuro@sato-polska.com.pl	SATO FRANCE S.A. Parc d'activités - rue Jacques Messager 59175 TEMPLEMARS, France Tel: +33 (0)3 20 62 96 40 Fax: +33 (0)3 20 62 96 55 Email: france@sato-europe.com
SATO AMERICA INC. 10350 Nations Ford Road Suite A, Charlotte, NC 28273, USA Tel: 1-704-644-1650 Fax: 1-704-644-1662 Email: sato-sales@satoamerica.com	SATO ASIA PACIFIC PTE LTD 438A Alexandra Road #05-01/02, Alexandra Technopark, Singapore 119967 Tel: 65-6271-5300 Fax: 65-6273-6011 Email: sales@satosingapore.com

Warning: This equipment complies with the requirements in Part 15 of FCC rules for a Class A computing device. Operation of this equipment in a residential area may cause unacceptable interference to radio and television reception requiring the operator to take whatever steps necessary to correct the interference.

All rights reserved. This document, nor any part of it, may be reproduced or issued to third parties in any form without the express permission of SATO Europe. The material in this document is provided for general information only and is subject to change without notice. SATO Europe does not assume responsibility for any errors or omissions.

Warning

It is essential that the safety and operating procedures contained within this manual be brought to the attention of, and are used by, all personnel likely to operate this printer/product.

This printer/product must only be used for the purpose for which it was designed.

This is a Class A product. In a domestic environment this product may cause radio interference in which case the user may be required to take adequate measures.

Electrostatic discharges on the connector pins and on the memory card may damage the printer.

In the case of fire, water must not be used on the product to extinguish the fire, and the appropriate type of fire extinguisher should be readily available.

No modifications, either mechanical or electrical, should be made to this printer/product or accessory without the written consent of SATO Europe NV. Any modifications made without this consent may invalidate guarantee claims.

Other manuals relating to this printer include additional information relating to other aspects of the safe operation of the printer, and are available from your SATO supplier.

All consumable waste, such as the label backing paper and used carbon ribbon must be disposed of carefully, and in a manner that will cause the minimum of environmental pollution.

Should you have any doubts regarding the setting, operating or any safety aspects of this printer/product, please contact your SATO supplier.

SATO Europe NV makes no guarantee that all the features described in this manual are available in all models, and, due to SATO's policy of continuous development and improvement, specifications are liable to change, without notice.

Consumables

Always use SATO carbon ribbons or equivalent. The use of incorrect materials may cause malfunctions of the printer and void the warranty.

Conventions

Text that appears bold italic and all in capitals such as ***LABEL*** refers to a key or an LED on the operation panel.

Text that appears enclosed in brackets such as <ESC> refers to an Escape sequence of a data string.

Text that appears bold italic such as ***On-Line*** refers to a function or to a result.

Text that appears in bold such as **VR1** refers to electrical components like pins, resistors connectors and so on.

Warranty and Copyright

SATO Europe NV makes no guarantee of any kind with regard to this material, including, but not limited to, the implied guaranties of merchantability and fitness for a particular purpose.

SATO Europe NV shall not be liable for errors contained herein or for any incidental consequential damages in connection with the furnishing, performance, or use of this material. This document contains proprietary information which is protected by copyright.

All rights are reserved.

No part of this document may be reproduced or issued to third parties in any form whatsoever without the express permission of SATO Europe NV.

The information in this document is subject to change without notice.

© Copyright 2003 SATO Europe NV.

TABLE OF CONTENTS

Section 1. Printer Overview

Introduction	1-1
Specifications.....	1-2

Section 2. Installation

Introduction	2-1
Setting Up the Printer.....	2-1
Loading Labels and Tags	2-3
Loading the Ribbon.....	2-6
Operators Panel	2-8
Rear Panel.....	2-10
Sensors	2-11

Section 3. CONFIGURATION

Printer Dip Switch Configuration.....	3-1
Default Settings.....	3-7
Potentiometer Adjustments.....	3-8
LCD Panel Printer Configuration	3-10

Section 4. CLEANING

Cleaning the Print Head, Platen and Rollers	4-1
Cleaning the Label Edge Sensors	4-2

Section 5. Troubleshooting

Introduction	5-1
Troubleshooting Tables.....	5-1
Print Quality Problems	5-1
Error Signals.....	5-3

Section 6. Interface Specifications

Introduction	6-1
IEEE1284 Parallel Interface	6-2
RS232 Serial Interface.....	6-4
Universal Serial Bus (USB) Interface	6-6
Local Area Network (LAN) Optional Interface	6-6

Section 7. Appendix A

Appendix A.....	A-1
-----------------	-----

SECTION 1. PRINTER OVERVIEW

INTRODUCTION

The SATO M-84PRO Thermal Transfer Printers are complete, high-performance on-site labelling systems. All printer parameters are user programmable using the front panel controls and the DIP switches. All popular barcodes and 14 human-readable fonts, including a vector font and two raster fonts, are resident in memory providing literally thousands of type styles and sizes.

The Operator's Manual will help you understand the basic operations of the printer such as setup, installation, configuration, cleaning and maintenance.

The M-84PRO can print labels up to four inches wide and is available in three resolutions; 203 dpi, 305 dpi and 609 dpi. The resolution is determined by the print head that is installed in the printer and can be changed in the field simply by installing the desired print head. The printer automatically detects the resolution of the print head and loads the appropriate controlling firmware.

The M-84PRO uses the standard SATO RISC printer command codes. The only differences between it and other RISC printers are the allowable values representing the print positions on the label. These values are specified in "dots" and will vary depending upon the resolution of the printer and the amount of memory available for imaging the label. The allowable range for the various M-84PRO models is specified in a table in the *"e" and PRO Printer Programming Reference*.

This commonality makes it very easy to convert labels from one RISC printer to another without having to create an entirely different command stream. There are some caveats that must be observed though to compensate for the different resolution print heads. The effect of the different printer resolutions are best illustrated by taking a label designed for a 203 dpi printer and sending the command stream to the its 305 dpi counterpart. The label printed will be an exact two-thirds scale, including the fonts, barcode dimensions and line lengths/widths. The only exception is the PostNet barcode which has only one legal size and the printer resolution is automatically compensated for by the printer. Conversely, a label designed for a 305 dpi printer and sent to its 203 dpi cousin will be one-third larger. It probably will be "truncated" if the resulting label size is larger than the maximum allowable for the printer.

GENERAL PRINTER SPECIFICATIONS

SPECIFICATION	M-84PRO-2	M-84PRO-3	M-84PRO-6
PRINT			
Method	Direct or Thermal Transfer		
Speed (User Selectable)	2 to 10 ips 50 to 250 mm/s	2 to 8 ips 50 to 200 mm/s	2 to 6 ips 50 to 150 mm/s
Print Module (Dot Size)	.0049 in. .125 mm	.0033 in. .083 mm	.0017 in. .081 mm
Resolution	203 dpi 8 d/mm	305 dpi 12 d/mm	609 dpi 24 d/mm
Maximum Print Width	4.1 in. 104 mm		
Maximum Print Length	49.2 in. 1249 mm	32.8 in. 835 mm	14.0 in. 356 mm
MEDIA			
Minimum Width	.87 in. 22 mm		
Minimum Length	0.24 in. (6 mm)		
Continuous	0.63 in. (16 mm)		
Tear-Off	1.18 in. (30 mm)		
Cutter	1.18 in. (30 mm)		
Dispense	1.18 in. (30 mm)		
Maximum Width	5.0 in. 125 mm		
Type	Roll or Fan-Fold Die Cut Labels Thermally Sensitive		
Maximum Caliper	0.008 in. 0.21 mm		
Roll OD (max) Face-In	8.6 in. 220 mm		
Core ID (min)	3 in 76.2 mm		
SENSING			
See-Thru	Movable		
Reflective Eye-Mark	Movable		
Continuous Form	Sensor Not Used		
RIBBON			
Maximum Width	4.4 in. (111 mm)		
Length (max)	1475 ft. (450 m)		
Thickness	4.5 micron, Wound Face-In		

SPECIFICATION	M-84PRO All Models
CONTROLS AND INDICATORS	
Power	Green LED
On-Line	Green LED
Label	Red LED
Ribbon	Red LED
Error	Red LED
LCD Panel	2 Line x 16 Character
Label Feed	Front Panel
Power On/Off Switch	Front Panel
POTENTIOMETER ADJUSTMENTS	
Print Darkness	Front Panel
Offset	Front Panel
Pitch	Front Panel
Display	Front Panel
INTERFACE CONNECTIONS ⁽¹⁾	
Parallel	IEEE1284 Standard Centronics
Serial	RS232C (2,400 to 19,200 bps) RS232C (9,600 to 57,600 bps) Standard RS422/485 (9,600 to 57,600 bps) Optional Ready/Busy or X-On/X-Off Flow Control Bi-directional Status
Universal Serial Bus	USB Ver. 1.1 Standard
LAN	10/100BaseT
Wireless LAN	802.11b
PROCESSING	
CPU	32 Bit RISC
Flash ROM	2 MB
SDRAM	16 MB
Receive Buffer	2.95 MB
Memory Expansion	See Options and Accessories
(1) Only one interface module can be installed in a printer at a time.	

CHARACTER FONTS

SPECIFICATION	M-84PRO-2	M-84PRO-3	M-84PRO-6
MATRIX FONTS			
U Font	5 dots W x 9 dots H		
S Font	8 dots W x 15 dots H		
M Font	13 dots W x 20 dots H		
XU Font	5 dots H x 9 dots H (Helvetica)		
XS Font	17 dots H x 17 dots W (Univers Condensed Bold)		
XM Font	24 dots H x 24 dots W (Univers Condensed Bold)		
OA Font (OCR-A)	15 dots W x 22 dots H	22 dots W x 33 dots H	44 dots W x 66 dots H
OB Font (OCR-B)	30 Dots W x 36 dots H	30 Dots W x 36 dots H	60 dots W x 72 dots H
AUTO SMOOTHING FONTS			
WB	18 dots W x 30 dots H		
WL	28 dots H x 52 dots H		
XB	48 dots H x 48 dots W (Univers Condensed Bold)		
XL	48 dots W x 48 dots H (Sans Serif)		
VECTOR FONT			
	Proportional or Fixed Spacing Font Size 50 x 50 dots to 999 x 999 dots Helvetica, 10 Font Variations		
AGFA® RASTER FONTS			
Font A	CG Times®, 8 pt to 72 pt		
Font B	CG Triumvirate®, 8 pt to 72 pt		
DOWNLOADABLE FONTS			
	Bit Mapped TrueType® Fonts with Utility Program		
CHARACTER CONTROL			
	Expansion to 12X in either X or Y coordinates Character Pitch control Line Space control Journal Print facility 0°, 90°, 180° and 270° Rotation		

BARCODES

BARCODE	M-84PRO All Models
SYMBOLOGIES	
Linear Barcodes	Bookland (UPC/EAN Supplemental)
	EAN-8/EAN-13
	CODABAR
	CODE 39
	CODE 93
	CODE 128
	Interleaved 2 of 5 (I 2/5)
	Industrial 2 of 5
	Matrix 2 of 5
	MSI
	POSTNET
	UCC/EAN-128
	UPC-A/UPC-E
Two Dimensional	Data Matrix
	Maxicode
	PDF417
	Micro PDF
	Truncated PDF
	QR Code
Ratios	1:2, 1:3, 2:5, User Programmable
Bar Height	4 to 999 dots, User Programmable
Rotation	0°, 90°, 180° and 270° Rotation
OTHER FEATURES	
Sequential Numbering	Sequential numbering of both numerics and barcodes
Custom Characters	RAM storage for custom designed characters
Graphics	Dot addressable, SATO Hex/Binary, BMP or PCX formats
Forms Overlay	Overlay of predesigned forms in image buffer

PHYSICAL

SPECIFICATION	M-84PRO All Models
PHYSICAL	
Wide	10.4 in. (265 mm)
Deep	17.1 in. (435 mm)
High	13.4 in.(341 mm)
Weight	39.7 lb. (18.0 Kg)
POWER	
Input Voltage	115/220 VAC +/-10%, 50/60 Hz +/-1%
Power Consumption	130W Operating, 24W Idle
ENVIRONMENTAL	
Operating Temperature	41° to 104°F (5° to 40°C)
Storage Temperature	23° to 140°F (-5° to 60°C)
Storage Humidity	30 to 90% RH Non-Condensing
Operating Humidity	30 to 80% RH Non-Condensing
Electrostatic Discharge	8kV
REGULATORY APPROVALS	
Safety	VCCI (Class B), UL, CUL, CE, FCC Class B
RFI/EMI	FCC Class B

OPTIONAL ACCESSORIES

ACCESSORIES AND OPTIONS	
PCMCIA MEMORY EXPANSION	One slot for PCMCIA Memory Card (up to 4 MB SRAM or 16 MB Flash ROM). Can be used for graphic file storage, print buffer expansion, format storage and downloaded fonts.
FLASH ROM EXPANSION	Internal 4MB Flash ROM PCB.
REAL TIME CLOCK	An internal Date/Time clock that can be used to date/time stamp labels at the time of printing.
LABEL DISPENSER	Internally mounted attachment allowing labels to be peeled from backing for immediate (on demand) applications. Backing not rewound.
LABEL REWINDER	External Option that rewinds labels onto a roll after they are printed.
LABEL CUTTER	An attachment allowing labels to be cut at specified intervals. Controlled through programming.
COAX/TWINAX INTERFACE	Coax/Twinax Plug-In Interface module. Coax interface emulates an IBM 3287-2 printer with a standard Type A BNC connector. Twinax interface emulates IBM 5224, 5225, 5226 or 4214 printers with auto-terminate/cable through capabilities.
PARALLEL INTERFACE	IEEE1284 Bi-Directional Plug-In Interface Module Centronics Plug-In Interface Module
SERIAL INTERFACE	High Speed RS232 Plug-In Interface Module Slow RS232 Plug-In Interface Module
USB INTERFACE	Universal Serial Bus Plug-In Interface Module
LAN INTERFACE	10/100 BaseT Plug-In Interface Module
WIRELESS LAN	802.11b Plug-In Interface Module

All specifications subject to change without notice.

SECTION 2. INSTALLATION

INTRODUCTION

This section of the manual has been written to help you install the SATO M-84PRO printers and to get started as quickly as possible. It is recommend to read each chapter in this manual before the installation or the use of the printers.

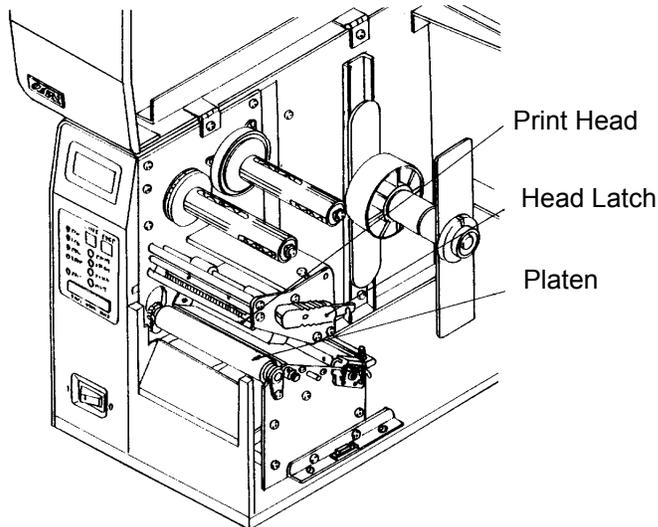
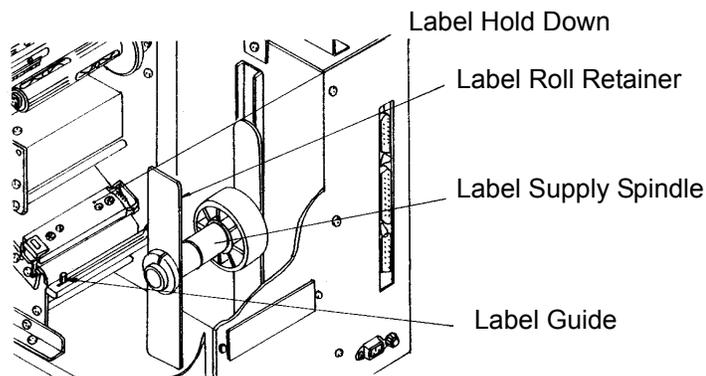
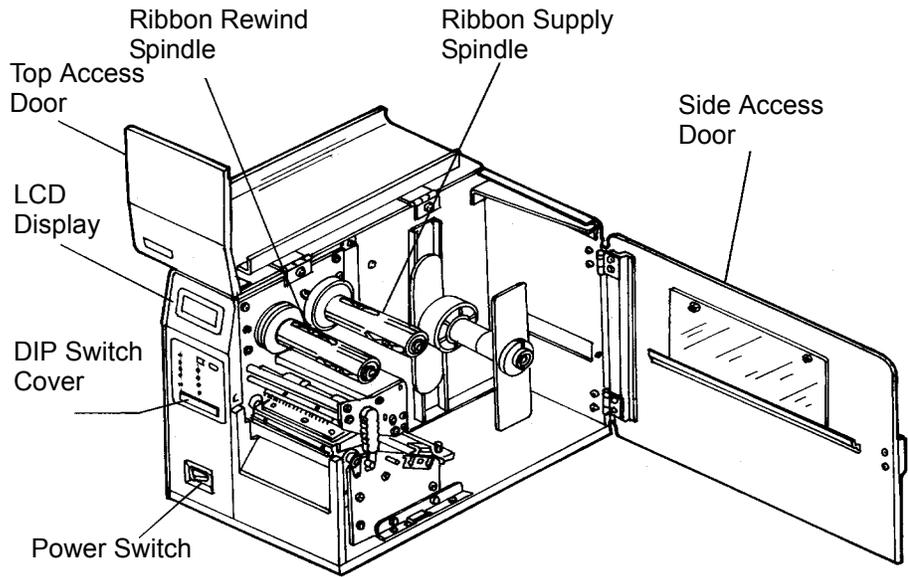
The following information is provided in this section:

- Setting Up the Printer
- Loading Labels or Tags
- Loading the Ribbon
- Operator Panel

SETTING UP THE PRINTER

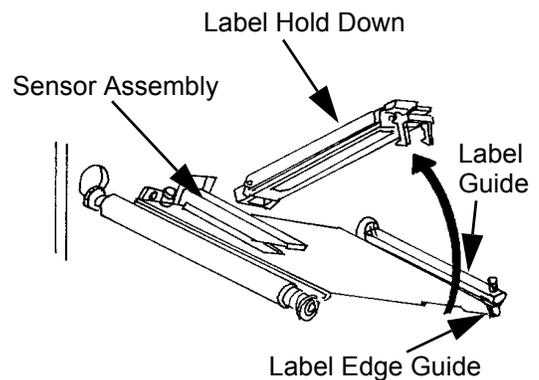
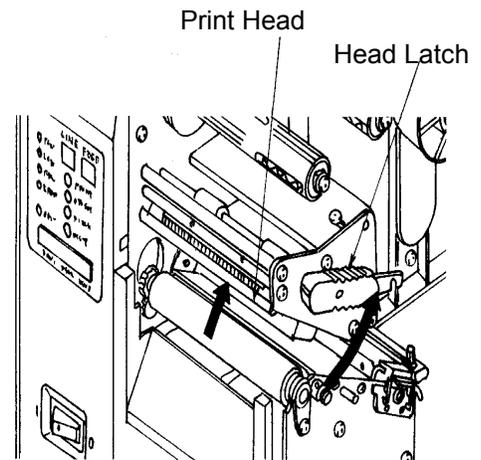
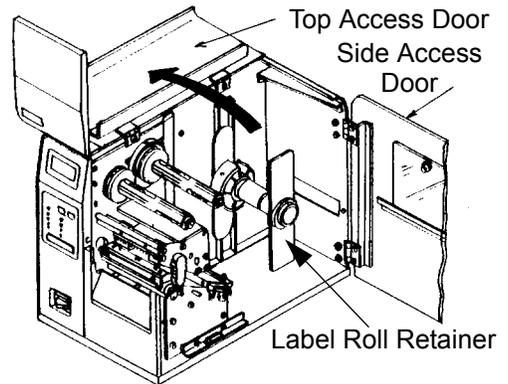
Consider the following when setting up the printer:

- Locate a solid flat surface with adequate room to set the printer. Make sure there is enough room at the top and right-hand (facing the printer) side to provide clearance for the label access door to swing open.
- The location should be near the host computer or terminal. The maximum distance for RS232 cables is 35 feet and six feet for IEEE1284 Parallel cables. Cables can be purchased locally, and their configuration will depend upon the host system being used. A IEEE1284 compliant cable must be used to realize the full throughput potential of the printers.
- For information on interfacing the printer to a host system, see *Section 5: Interface Specifications*.

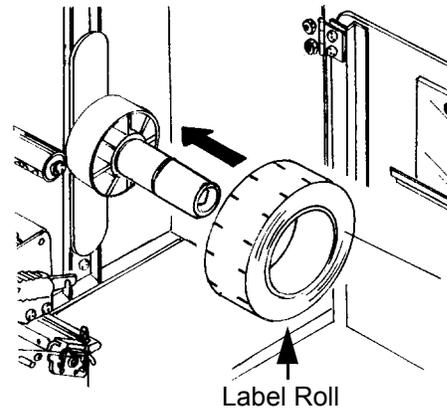


LOADING LABELS AND TAGS

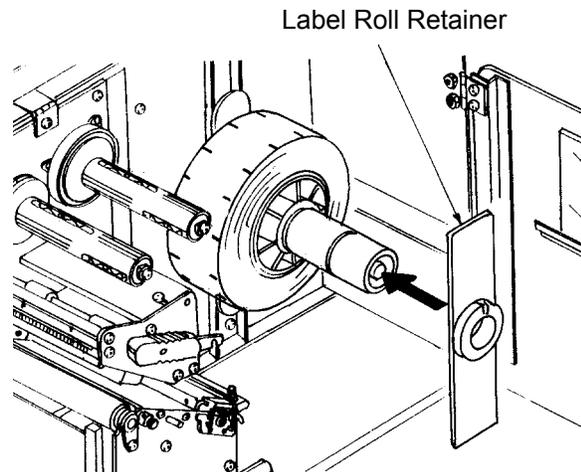
1. Open the Top Access Door by swinging it up and to the left. Open the Side Access Door by swinging it to the rear of the printer.
2. Open the Print Head Assembly by pushing the Head Latch toward the rear of the printer. The Print Head Assembly is spring-loaded and will automatically open as soon as the Head Latch is disengaged.
3. Loosen the Label Edge Guide and push it to the outside of the printer to give the maximum label width.
4. Remove the Label Roll Retainer



5. If using roll labels (or tags), load the roll onto the Label Supply Spindle so that the printing side of the labels faces upwards as it unwinds from the roll. The labels should be wound *face-in*. Push the roll all the way to the inside of the printer and push the Label Roll Retainer snugly against the outside of the label roll.
6. If using fanfold labels (or tags) set them on a flat surface behind the printer. Pass the labels (printing side up) through the slot in the rear of the printer.
7. Make sure the labels are routed under the Label Guide and through the Sensor Assembly.
8. Open the Label Hold-Down by squeezing the green tab and the release tab together. The Label Hold Down is spring loaded and will open automatically when the latch is disengaged. Feed the labels under the Label Guide, under the Label Hold Down, through the Sensor Assembly and out the front of the printer.
9. Inspect the label routing and verify that the path matches that illustrated in the Label Loading diagram. Set the Adjustable Label Guide to keep the labels against the inside of the printer.
10. Close the Label Hold-Down by pushing downward on the green tab until it latches closed.

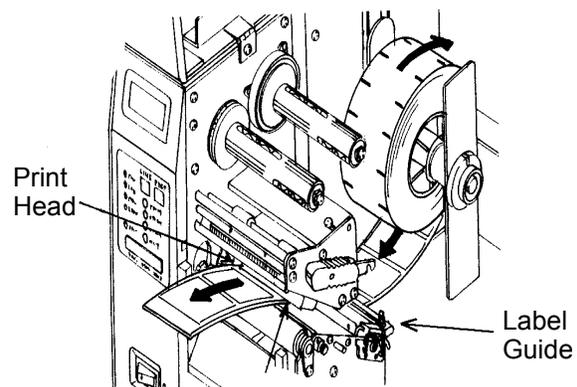


Label Roll



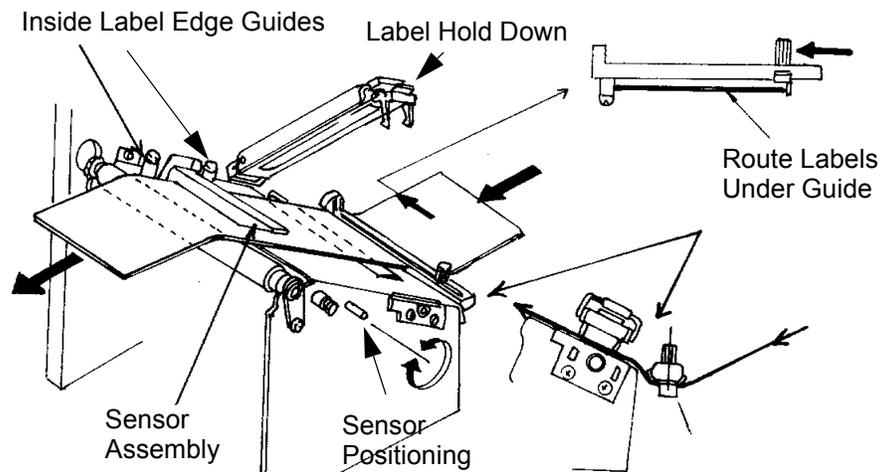
Label Roll Retainer

NOTE: If the Label Dispenser option has been purchased, see Appendix A, for proper label routing instructions.



Print Head

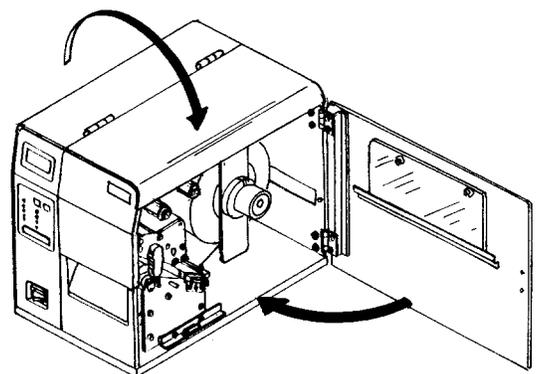
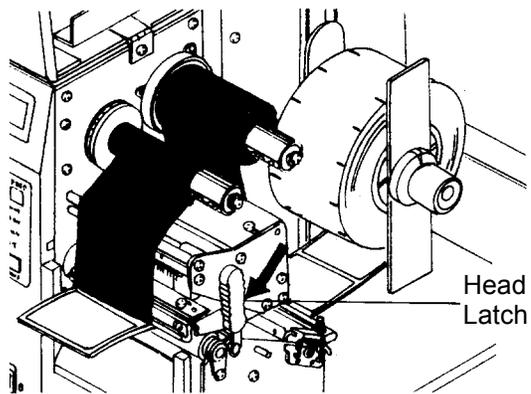
Label Guide



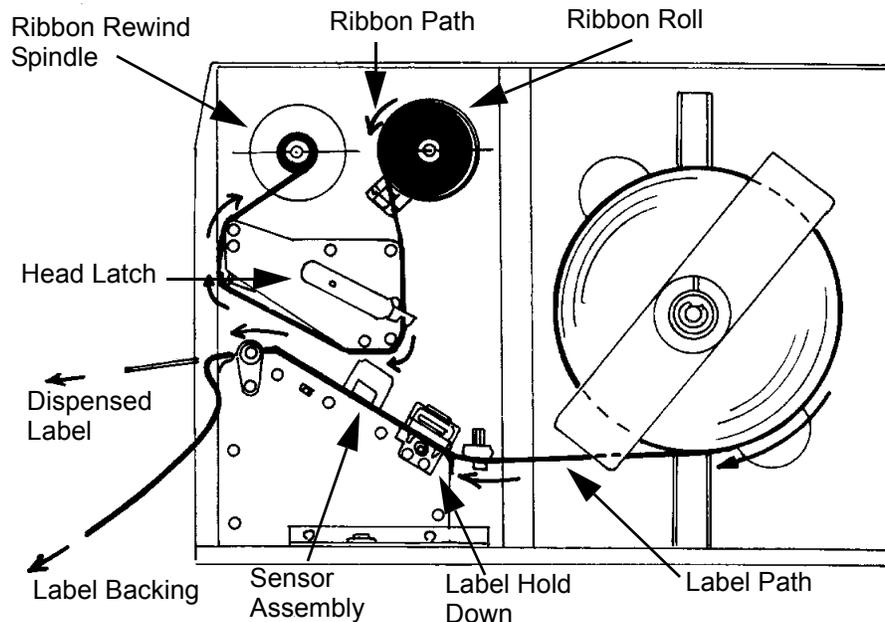
11. Adjust the outside Label Edge Guide until it touches the outside edge of the label and tighten the thumb screw. Make sure the labels are also touching the inside edge guides.

CAUTION: Using media narrower than the maximum print width may cause excess head wear due to the label edge. See page 2-9 for precautions.

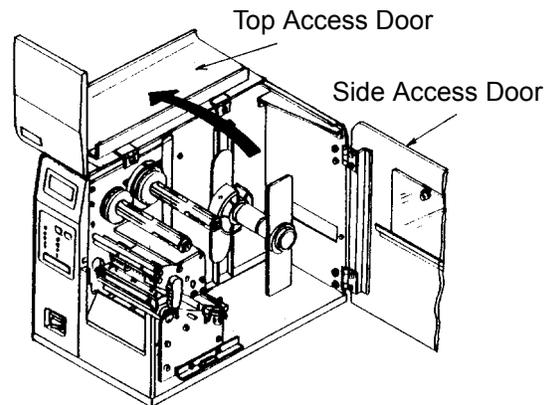
12. If the ribbon is already loaded, close the Print Head by rotating the black Head Latch toward the front of the printer until it latches closed.
13. If the ribbon is not loaded, see the following description for loading instructions.
14. Close both the Access Doors.



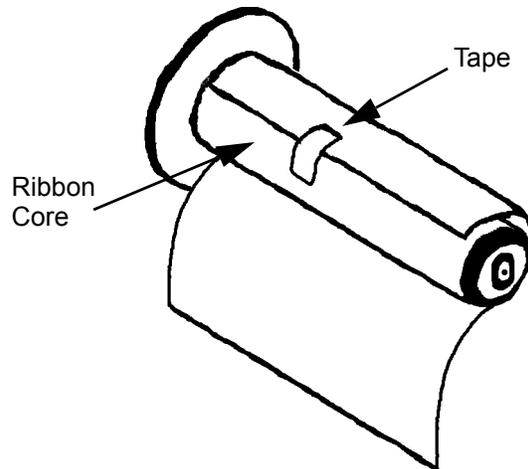
LOADING THE RIBBON



1. Open the Top Access Door by swinging it up and to the left and the Side Access Door by swinging it toward the rear of the printer.
2. Open the Print Head by rotating the Head Latch toward the rear of the printer. The Print Head is spring-loaded and will automatically open as soon as the Head Latch is disengaged.
3. Locate the extra ribbon core supplied with the printer. Place the core on the Ribbon Rewind Spindle, pushing it all the way to the inside of the spindle.
Note that the new empty core of each subsequent roll becomes the next rewind core.
4. Load the ribbon onto the Ribbon Supply Spindle, also pushing it all the way to the inside of the spindle. The dull side of the ribbon should be facing down as it travels through the Print Head Assembly.
5. Feed the leader portion of the ribbon through the Print Head Assembly and up to the Ribbon Rewind Spindle following the routing shown in the diagram.
6. Load the ribbon behind and over the top of the Ribbon Rewind Spindle and tape it to the Extra Ribbon Core. Make sure it matches the ribbon path shown in the diagram.
7. Manually turn the Rewind Spindle to wrap the ribbon onto the core one to two turns to secure it.

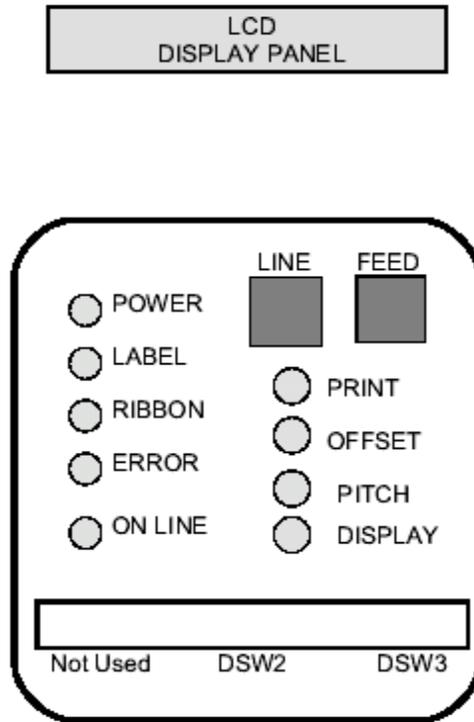


8. If the labels or tags are already loaded, close the **Print Head Assembly** by pushing downward on the green tab until it latches closed.
9. Run a test print to ensure that the labels and ribbons were loaded correctly.



CAUTION: If your labels are less than the full width of the print head, the outside edge will eventually wear out a small portion of the print head, resulting in an area that will not print. Special care must be taken if you plan to use multiple widths of labels, since the damaged portion of the print head caused from edge wear on a more narrow label may affect the printing on a wider label. We suggest you plan your print formats carefully to avoid using the area of possible damage on the print head when using a wider label. The small area of damage will have no effect on printing with the undamaged part of the print head. Damage from a label edge is physical damage and is unavoidable. It is not covered by warranty. It is possible to delay such damage by always ensuring that the ribbon used is wider than the label stock. This will help to protect the print head from label edge damage.

OPERATOR PANEL



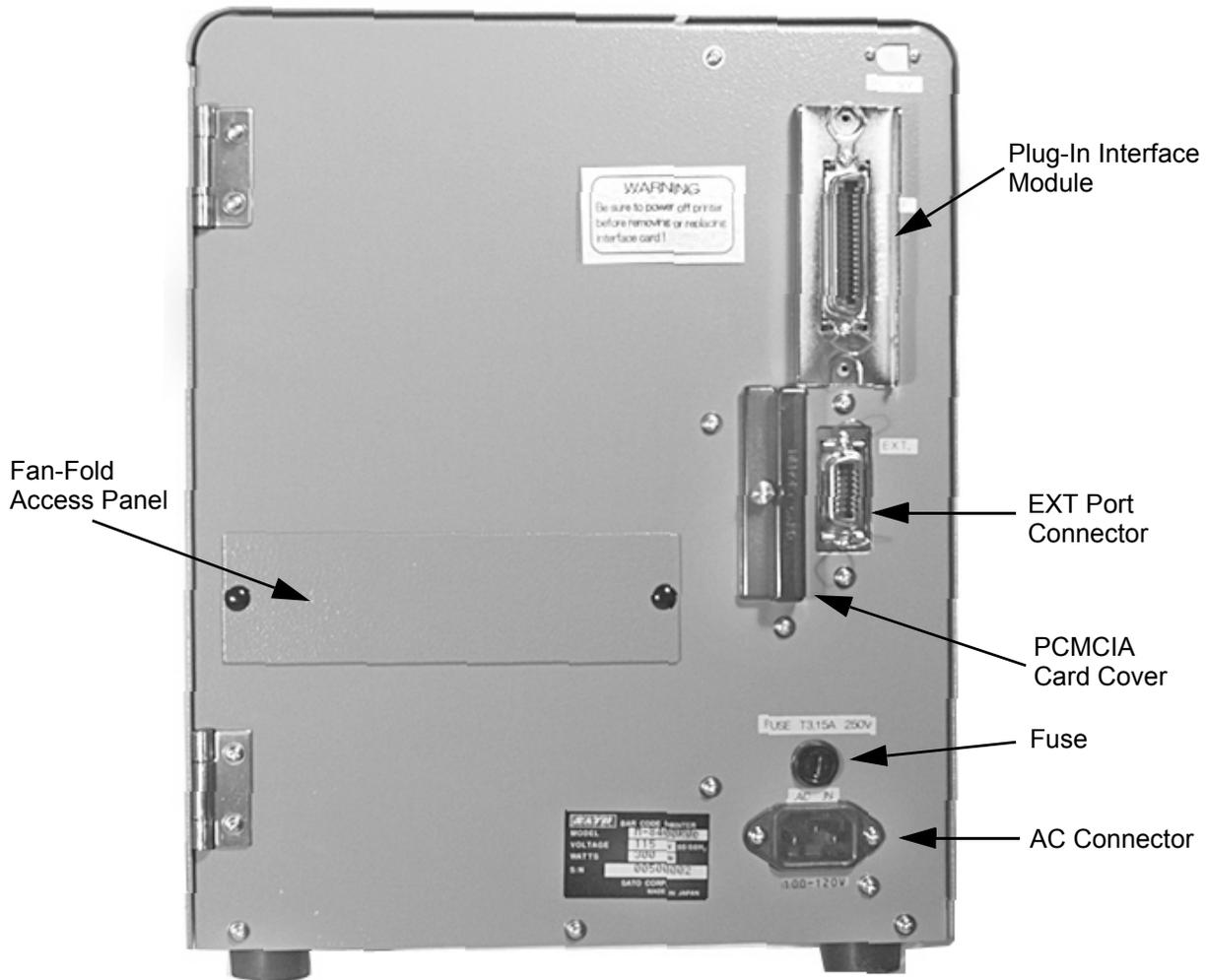
The M-84PRO Operator Panel consists of five LED indicators, two momentary contact switches, three DIP switches, four adjustment potentiometers and one LCD Display. All of these are accessible from the front of the printer. They are used to set the printer operating parameters and to indicate the status of the printer to the operator. After you power on the printer, familiarize yourself with the keys and indicators as it will help you understand the configuration process.

- PRINT** Potentiometer to adjust print darkness (fine tuning)
- OFFSET** Potentiometer to adjust amount of back/forward feed for dispenser/cutter/tear-off position (+/- 3.75 mm)
- PITCH** Potentiometer to adjust home position of the label (+/- 3.75 mm). Affects stop position of label feed, print position and dispense position.
- DISPLAY** Potentiometer to adjust the contrast of the LCD display.
- POWER** LED, illuminated when the power is on.
- LABEL** LED, illuminated when the label supply is not detected.
- RIBBON** LED, illuminated when the ribbon motion sensor does not detect any ribbon motion (ribbon out condition).
- ERROR** LED, illuminated when there is a system fault such as an open print head.

ON LINE	LED, illuminated when printer is ready to receive data. Toggled on/off with LINE key.
LINE	Momentary switch. Pressing this key toggles the printer between the on-line and off-line mode. When the printer is on-line, it is ready to receive data from the host. This key acts as a pause during a print job by taking the printer off-line. It can also be used as a Pause function key to stop the printer during the printing process.
FEED	Momentary switch. Pressing this key feeds one blank label when the printer is Off-Line. When the printer is On-Line, another copy of the last label will be printed (Reprint W/Feed must be enabled in the LCD panel Service Mode).
DSW	DIP switch array to set operational parameters of the printer.
LCD	2 Line x 16 Character LCD display. Used for setting operational parameters of the printer and displaying error conditions.

REAR PANEL

- AC INPUT** Input 115V/240V, 50/60 Hz connector. Use cable provided.
- AC FUSE** Input power protection. 3A/250V rating.
- INTERFACE SLOT** Connector for Plug-In Interface Module.
- MEMORY CARD SLOT** Connector for optional PCMCIA Memory Card.
- EXT** External signal connector, AMP 57-60140.



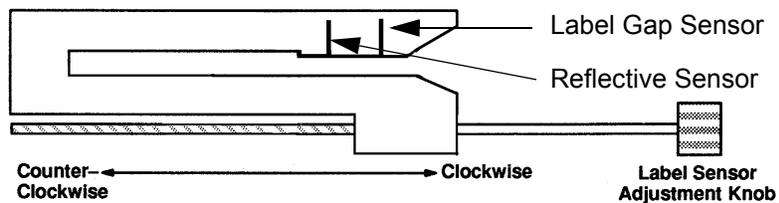
SENSORS

The M-84PRO printers contain three sensing units; a Ribbon End motion sensor, a Head Open micro-switch and a Label Indexing Sensor.

RIBBON END SENSOR Detect motion of the Ribbon Supply Spindle and signals the printer when it is turning.

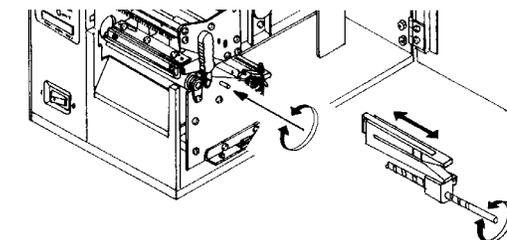
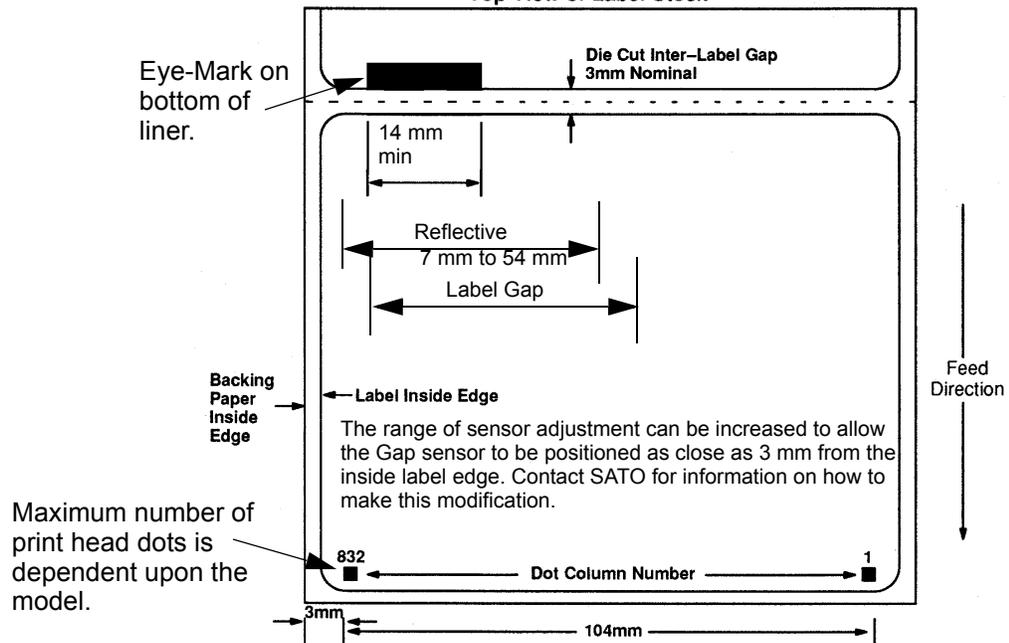
HEAD OPEN SENSOR A micro-switch that is activated when the head is unlatched.

LABEL INDEXING SENSOR The sensing assembly contains two types of sensors, one for label gap and one for eye-mark sensing. The sensors are adjustable over a limited range.



Turn adjustment knob CW to move label sensor towards outside print edge.
Turn the knob CCW to move label sensor towards inside print edge.

Top View of Label Stock



SECTION 3. CONFIGURATION

PRINTER DIP SWITCH CONFIGURATION

DIP SWITCH PANELS

There are two DIP switches (DSW2 and DSW3) located on the front panel under a protective cover. In addition, a third DIP switch is located on the RS232C Serial Adapter card and is used to set the RS232C transmit/receive parameters. These switches can be used to set:

- Thermal transfer or direct thermal mode
- Label sensor enable/disable
- Head check mode
- Hex dump mode
- Single Job or Multi-Job Receive buffer
- Operation mode

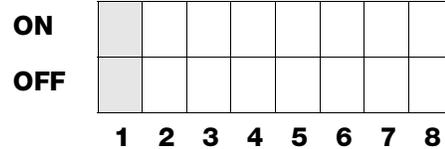
Each switch is an eight section toggle switch. The ON position is always up. To set the switches, first power the unit Off, then position the DIP switches. Finally, after placing the switches in the desired positions, power the printer back on. The switch settings are read by the printer electronics during the power up sequence. They will not become effective until the power is cycled.

RS232 TRANSMIT/RECEIVE SETTING

Data Bit Selection (DSW1-1). This switch sets the printer to receive either 7 or 8 bit data bits for each byte transmitted.

DSW1-1	SETTING
Off	8 Data Bits
On	7 Data Bits

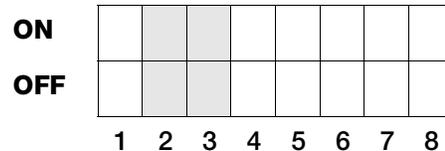
DSW1



Parity Selection (DSW1-2, DSW1-3). These switches select the type of parity used for error detection.

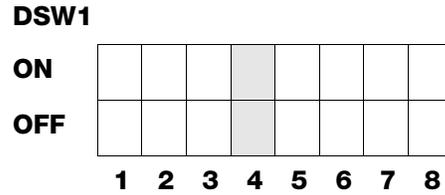
DSW1-1	DSW1-3	SETTING
Off	Off	No Parity
Off	On	Even
On	Off	Odd
On	On	Not Used

DSW1



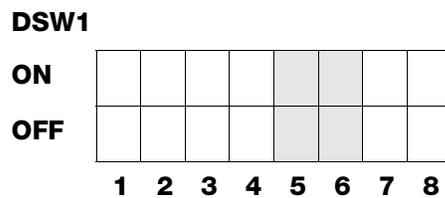
Stop Bit Selection (DSW1-4). . Selects the number of stop bits to end each byte transmission.

DSW1-4	SETTING
Off	1 Stop Bit
On	2 Stop Bits



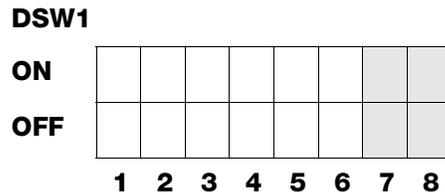
Baud Rate Selection (DSW1-5, DSW1-6). . Selects the data rate (bps) for the RS232 port.

DSW1-5	DSW1-6	SETTING
Off	Off	9600
Off	On	19200
On	Off	38400
On	On	57600



Protocol Selection (DSW1-7, DSW1-8). Selects the flow control and status reporting protocols. See *Section 6: Interface Specifications* for more information. (* Will select the Status 2 protocol if DSW2-8 is ON).

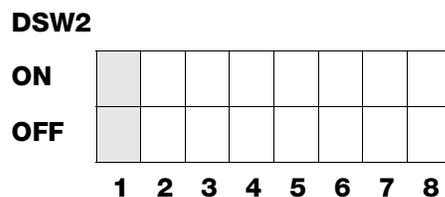
DSW1-7	DSW1-8	SETTING
Off	Off	Rdy/Bsy
Off	On	Xon/Xoff
On	Off	Bi-Com 3
On	On	Bi-Com 4



PRINTER SET UP

Print Mode Selection (DSW2-1). . Selects between direct thermal printing on thermally sensitive paper and thermal transfer printing using a ribbon.

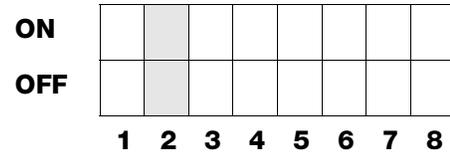
DSW2-1	SETTING
Off	Therm Xfr
On	Direct Therm



Sensor Type Selection (DSW2-2). Selects between the use of a label gap or a reflective Eye-Mark detector.

DSW2-2	SETTING
Off	Gap
On	Eye-Mark

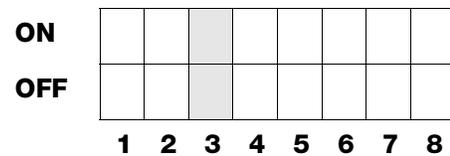
DSW2



Head Check Selection (DSW2-3). When selected, the printer will check for head elements that are electrically malfunctioning.

DSW2-3	SETTING
Off	Disabled
On	Enabled

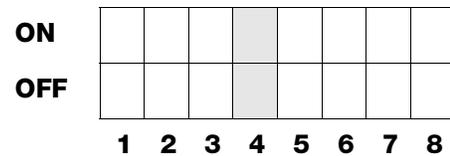
DSW2



Hex Dump Selection (DSW2-4). Selects Hex Dump mode (see page 3-21).

DSW2-4	SETTING
Off	Disabled
On	Enabled

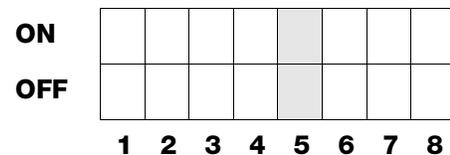
DSW2



Receive Buffer Selection(DSW2-5). Selects the operating mode of the receive buffer. See Section 6.Interface Specifications for more information.

DSW2-5	SETTING
Off	Single Job
On	Multi Job

DSW2



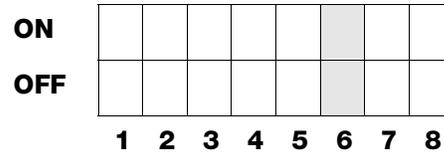
If a 10/100BaseT LAN card is installed, DS2-5 has the following definitions:

DSW2-5	SETTING
Off	ENQ Response
On	Periodic Response

Firmware Download (DSW2-6). Places the printer in the Firmware Download mode for downloading new firmware into flash ROM.

DSW2-6	SETTING
Off	Disabled
On	Enabled

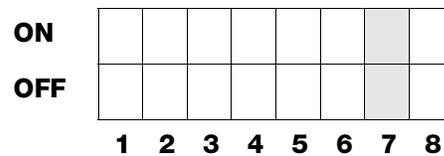
DSW2



Protocol Code Selection (DSW2-7). Selects the command codes used for protocol control. Refer to page E-1 for more information.

DSW2-7	SETTING
Off	Standard
On	Non-Std

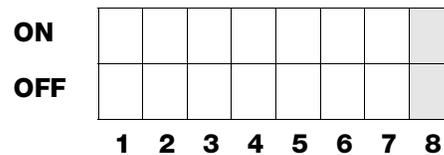
DSW2



Status Select(DSW2-8). For emulating earlier series software commands. Should be used only if problems are encountered when using existing software. This switch will also affect the settings selected by DSW1-7 and DSW1-8.

DSW2-8	SETTING
Off	Status 3 & 4 Enabled
On	Status 2 & 3 Enabled

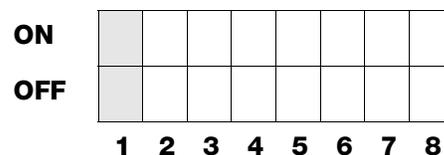
DSW2



Backfeed Sequence (DSW3-1, DSW3-2). Backfeed is used to correctly position the label for application and then retract the next label to the proper print position. This operation can be performed immediately after a label is printed and used, or immediately prior to the printing of the next label.

DSW3-1		SETTING
Off	Off	Continuous
Off	On	Tear-Off
On	Off	Cutter*
On	On	Not Used

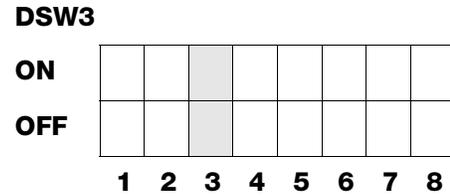
DSW3



* Defaults to Continuous if cutter not installed

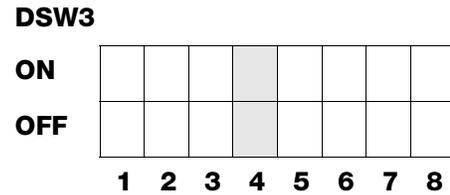
Label Sensor Selection (DSW3-3). Enables or disables the Label Sensor. If the Sensor is enabled, it will detect the edge of the label and position it automatically. If it is disabled, the positioning must be under software control using Line Feed commands.

DSW3-3	SETTING
Off	Not Used
On	Sensor Used



Back-Feed Selection (DSW3-4). When Back-Feed is enabled, the printer will position the last printed label for dispensing and retract it before printing the next label. The amount of backfeed offset is adjustable.

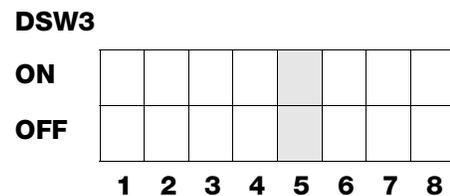
DSW3-4	SETTING
Off	Disabled
On	Enabled



External Signal Interface. See *Section 6: Interface Specifications* for information on the External Signals.

EXT Print Start Signal Selection (DSW3-5). Allows an external device to initiate a label print for synchronization with the applicator. When DSW3-5 is On, the unit is in the Continuous print mode, Backfeed is disabled and External Signals are ignored.

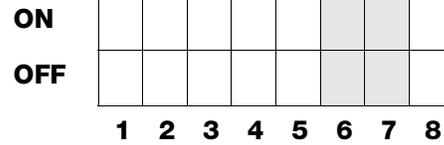
DSW3-5	SETTING
Off	Enabled
On	Disabled



External Signal Type Selection (DSW3-6, DSW3-7). Both the polarity and signal type (level or pulse) of the external print synchronizing signal can be selected.

DSW3-6	DSW3-7	SETTING
Off	Off	Type 4
Off	On	Type 3
On	Off	Type 2
On	On	Type 1

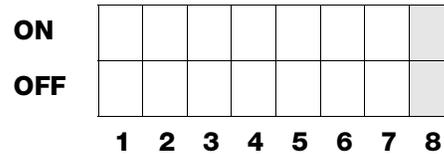
DSW1



Repeat Print via External Signal (DSW3-8). Allows the applicator to reprint the current label in the print buffer.

DSW3-8	SETTING
Off	Enabled
On	Disabled

DSW3



DEFAULT SETTINGS

SWITCH SELECTIONS

All switches are placed in the Off default position for shipping. This will result in the following operating configuration:

- Communications: 8 data bits, no parity, 1 Stop bit, 9600 Baud
- Protocol: Ready/Busy
- Sensor: Gap Sensor
- Receive Buffer: Multi Job
- Mode: Batch/continuous
- Label Sensor: Sensor Used
- Backfeed: Enabled
- External Signals: Enabled

SOFTWARE DEFAULT SETTINGS

The printer stores the software settings upon receipt and uses them until they are again changed by receipt of a command containing a new setting. These settings are stored in non-volatile memory and are not affected by powering the printer off. The printer may be reset to use the default software settings by depressing the LINE and FEED keys simultaneously while powering the printer on. This will result in the following default configuration:

	M-84PRO
Print Darkness	3
Print Speed	6 ips (3 ips for M-84PRO-6)
Print Reference	Vertical = 0000, Horizontal = 0000
Zero	No Slash
Print Offset	+0
Ignore CR/LF	Disabled
Character Pitch	Proportional
Ignore CAN/DLE	Disabled
Auto On Line	Enabled
Feed on Error	Enabled
Feed Reprint	Disabled
Priority	Command
Language	English
CC1 Mem Select	Card
Eurocode	D5 _H

Once the default operation is completed, a DEFAULT COMPLETED message will be displayed on the LCD panel. The printer should be powered off while this message is being displayed (or after the beep is heard. This saves the default settings in the non-volatile memory where they will be automatically loaded the next time the printer is powered on.

DEFAULT COMPLETED

POTENTIOMETER ADJUSTMENTS

PITCH

After the pitch has been set with the LCD Control Panel, it is sometimes desirable to make minor adjustments. This can be done using the PITCH potentiometer on the top panel. This potentiometer is set at the factory so that it has a range of +/- 3.75 mm. The midpoint setting should have no effect on the pitch. Turning the potentiometer all the way clockwise should move the print position 3.75 mm up towards the top edge of the label. Turning it all the way counterclockwise should move the print position down 3.75 mm.

1. While depressing the FEED key on the front panel, power the printer on.
2. When you hear one beep from the printer, release the FEED key and the printer will display on the LCD panel a message asking what type of Test Label you want to print.
3. Use the Cursor keys to step to the Configuration selection and press the ENTER key to accept the selection.
4. Use the Cursor keys to select the Test Label Size. After the size is selected, press the ENTER key to accept the selection and the printer will begin to print test labels continuously.
5. Adjust the PITCH potentiometer on the front panel until the first print position is at the desired location on the label. If the potentiometer does not have enough range, then you will have to change the pitch setting using the front panel display.
6. Press the FEED key to stop the printer.
7. To exit the Test Label mode, power the printer off and then back on.

Adjusting the PITCH potentiometer will affect the stop position of the label.

BACKFEED OFFSET

When a label is printed it must be correctly positioned for dispensing and application. The Backfeed adjustment is used to position the label so that it is fully dispensed and ready for application. It may then be necessary to reposition the next label before printing. The Backfeed (repositioning of the label) operation is enabled if DSW3-4 is in the Off position. If Backfeed is enabled, placing DSW3-1 is in the Off position will cause the backfeed operation to be performed immediately before each label is printed. If DSW3-1 is in the On position, the backfeed operation is performed as soon as the dispensed label has been printed and taken from the printer.

The amount of backfeed is controlled by the OFFSET potentiometer on the DIP Switch Panel inside the cover. When turned all the way counterclockwise, the amount of backfeed is +3.75 mm, and -3.75 mm when turned all the way counterclockwise.

1. Turn the printer on.
2. Press the LINE key to place the printer in the Off Line status.
3. Press the FEED key to feed out a blank label.

4. Adjust the position using the OFFSET potentiometer on the front control panel and feed another label by depressing the FEED key. Repeat this procedure until the label is fully released from the liner.

DISPLAY

This potentiometer is used to adjust the contrast of the LCD display for optimum viewing under various lighting conditions.

PRINT

The PRINT potentiometer is used to adjust the amount of heat (i.e., power) applied to the head for printing. It provides a continuous range of adjustment. Maximum print darkness is obtained by turning the potentiometer all the way clockwise and a maximum counterclockwise setting will give the lightest print.

NOTE: The PRINT potentiometer adjustment will affect the darkness in all of the command code speed and darkness ranges.

LCD PANEL PRINTER CONFIGURATION

The LCD Panel is used by the operator in conjunction with the LINE and FEED switches to manually enter printer configuration settings. Many of these settings can also be controlled via software commands and in the case of conflict between software and control panel settings, the printer will always use the last valid setting. If you load a label job that includes software settings and then enter a new setting via the LCD panel, the manually set values will be used by the printer. If you set the values manually and then download a job with software settings, the software settings will be used.

NORMAL MODE

The printer initially powers on in the ONLINE mode. The user can access the User Settings using the following procedures.

V 05.00.03.00
INITIALIZING

Displays the firmware during the initialization.

ONLINE
QTY:000000

The LCD will display the ONLINE status on the top line and the bottom line will contain the label quantity (QTY) status. The message will be changed to OFFLINE whenever the printer is switched offline by pressing the LINE key. As soon a print job is received, the quantity line will indicate the number of labels to be printed. As soon as the label job begins to print, the display will indicate the number of labels in the print job that remains to be printed.

OFFLINE
000000

Press the LINE key once. When the display changes to OFFLINE, press the FEED and LINE keys simultaneously for more than one second. Release the keys.

PRINT DARKNESS
1 2 3 4 5

The LCD now displays the Print Darkness selections. The current setting is indicated by a cursor over one of the range settings. There are 5 possible selections. The lowest setting represents the lightest print and the highest setting the darkest print.

1. Press the Cursor keys to step the cursor to the desired setting.
2. Once the correct setting is underlined, press the ENTER key to accept the selection and step the display to the next adjustment.

PRINT SPEED
2 4 6 8 10

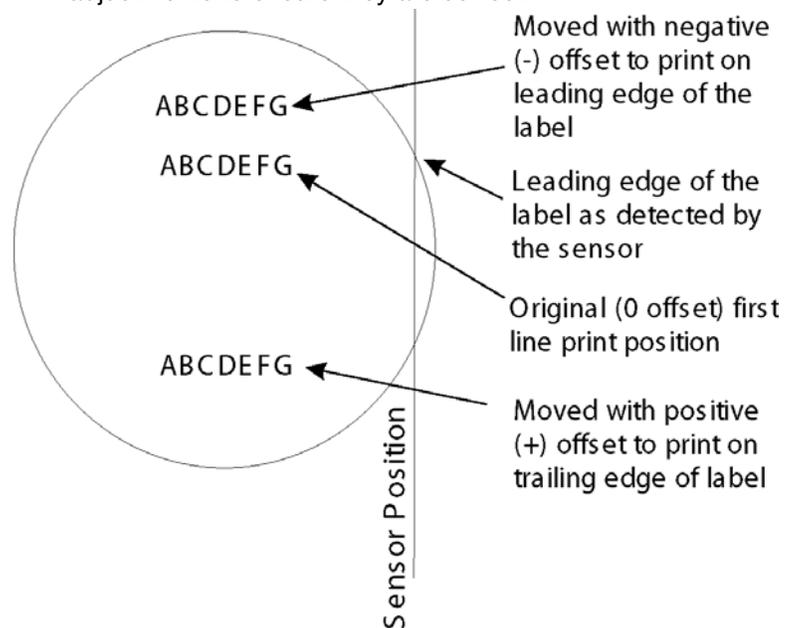
The print speed selections are dependent upon the printer model. The current setting is indicated by the cursor.

1. Use the Cursor keys to step the cursor to the desired setting.
2. Once the correct setting is selected, press the ENTER key to accept the selection and step the display to the next adjustment.

PITCH OFFSET
+ 00mm

The label Pitch is the distance from the leading edge (the edge that comes out of the printer first) of a label and the leading edge of the next label. The leading edge position of the label can be adjusted relative to the print head +/- 49mm in increments of 1mm. Once the position is set, it can be fine adjusted +/- 3.75mm using the PITCH potentiometer on the Adjustment Panel.

1. The cursor will initially be positioned over the Pitch Direction setting. Use the LINE key to step to the positive (+) or negative (-) selection. A positive selection moves the leading edge of the label forward (away from the print head) while a negative selection moves the leading edge of the label back into the mechanism.
2. Once the correct direction is selected, pressing the LINE key will accept the setting and advance the cursor to the Offset selection.
3. Use the LINE key to step the first digit of the counter to the desired setting. The display will increment one step each time the Cursor keys are pressed. The maximum setting is 4.
4. Press the FEED key to accept the setting and advance the cursor to the second digit. Again use the LINE key to step to the desired setting. Once it is correct, pressing the FEED key will step to the next adjustment.
5. You may wish to print a test label after completing the adjustments to ensure they are correct.



**CANCEL PRINT JOB
YES NO**

If the printer has a print job(s) in memory, selecting YES will cause the job(s) to be cleared. The default selection is NO. Be sure you want to cancel the print job(s) before selecting yes as the job(s) cannot be recovered and will have to be retransmitted to the printer.

1. Use the Cursor keys to step the cursor to either the YES or NO selection.
2. Once the correct setting is selected, pressing the ENTER key will accept the setting.

**CANCEL PRINT JOB
COMPLETED**

3. After the print job(s) have been cleared from memory, the printer will beep 3 times and display a COMPLETED message for 3 seconds and then return to the initial ONLINE Normal Mode.
4. If you wish to change any of the settings, you must enter the User Settings mode again by taking the printer OFFLINE and pressing the LINE and FEED keys.

SECTION 4. CLEANING

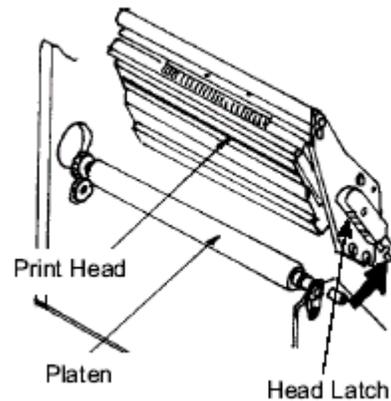
CLEANING THE PRINT HEAD, PLATEN AND ROLLERS

Supplies needed:

SATO SA070 Cleaning Kit

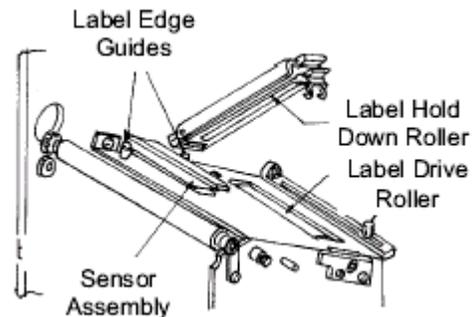
Cleaning the Print Head

1. Turn the printer off and remove the power cable.
2. Open the Top and Side Access Door.
3. Open the Print Head Assembly by rotating the Head Latch toward the back of the printer. The Print Head Assembly is spring-loaded and will automatically open as soon as the Head Latch is disengaged.
4. Remove the ribbon.
5. Apply SATO Thermal Print Head Cleaner to a cotton swab.
6. The Print Head faces downward along the front edge of the assembly. Pass the end of the dampened swab along the epoxy ridge that runs the entire width of the Print Head.
7. Check for any black colouring or adhesive on the swab after cleaning.
8. Repeat if necessary until the swab is clean after it is passed over the head.
9. The head should be cleaned at least every time the ribbon is changed and more often in dusty environments.



Cleaning the Platen and Rollers

1. Turn the printer off and remove the power cable.
2. Open Top and Side Access doors.
3. Open the Print Head Assembly by rotating the Head Latch toward the rear of the printer. The Print Head Assembly is spring-loaded and will automatically open as soon as the Head Latch is disengaged.
4. Unlatch the Label Hold-Down by lifting up on the latch lever (immediately below the green PUSH tab).
5. Apply SATO Thermal Print Head Cleaner to one of the cotton swabs.



6. The Platen is the rubber roller directly below the Print Head. It should be cleaned of any ribbon or label residue.
7. A pair of Label Feed Rollers are used to assist in label feeding at high print speeds. One located in the bottom of the Label Hold-Down and the other directly underneath it in the label feed path. They should be cleaned of any label residue or foreign material.
8. Repeat if necessary. The platen and rollers should be cleaned whenever foreign matter such as dust or adhesive is present.
9. Close the Label Hold-Down until it latches in place.
10. Close the Print Head by rotating the Head Latch Lever down and towards the front until it latches in place.

CLEANING THE LABEL EDGE SENSORS

There are two sensors that are used to control the positioning of the label. One is a transmissive see-thru sensor that detects the edge of the label by looking through the backing paper which is translucent and detecting the presence of the opaque backing. The other is a reflective sensor that detects the light reflected from the bottom of the label liner. When a printed black Eye-Mark passes through the beam, the light is no longer reflected back to the sensor detector, indicating to the printer that it should use this position as the start of a new label. When dust, dirt or other foreign matter interferes with the light path of either of these sensors, the results is erratic label positioning. These sensors should be cleaned regularly, at least every two rolls of labels. They are both located on an adjustable assembly in the throat of the printer between the Label Hold Down and the Print Head.

Supplies Needed:**SATO Cleaning Kit**

1. Turn the printer off and remove the power cable.
2. Open the Top and Side Access doors.
3. Open the Print Head by pushing the Head Latch toward the rear of the printer. The Print Head is spring-loaded and will automatically open as the Head Latch is disengaged.
4. Remove the ribbon.
5. Apply SATO Thermal Print Head Cleaner to a cotton swab.
6. Carefully insert the swab between the top and bottom portions of the Sensor Assembly. The location of the sensors is identified by two marks on the assembly.
7. Move the swab back and forth to clean any residue from the sensors.

SECTION 5. TROUBLESHOOTING

INTRODUCTION

The design of the SATO CL-608e/612e printer is based upon proven technology and reliable components. When a problem occurs, the solution can be easily traced using the troubleshooting tables in this section. This table list symptoms, probable causes, and suggested corrective actions.

Both print quality and general operational problems are listed in the troubleshooting table.

TROUBLESHOOTING TABLES

The troubleshooting table below includes the following general symptom descriptions:

- Image Voids
- Ribbon Wrinkle
- Light Images
- Smearing
- No Ribbon Movement
- No Label Movement
- No printed Image
- Display Problem
- POWER LED not on
- ERROR LED on
- LABEL LED on
- RIBBON LED on
- ON LINE LED not on
- No Label Drive

☺ The suggested actions may be carried out by the end-user.

✘ The suggested actions should only be carried out by experienced service staff. Recall your reseller or service agent.

PRINT QUALITY PROBLEMS

SYMPTOM	PROBABLE CAUSE	SUGGESTED CORRECTIVE ACTION
Image Voids	Poor quality labels	Use thermal transfer compatible stock ☺
	Poor quality ribbons	Use genuine SATO ribbons ☺
	Ribbon not matched to label stock	Check with media suppliers ☺
	Damaged electronics	Replace circuit board ✘
	Damaged Platen	Replace Platen ✘
Ribbon Wrinkle	Poor Head Alignment	Adjust head balance ✘ Adjust ribbon roller ✘ Adjust head alignment ✘
	Poor Ribbon Tension	Adjust ribbon tension ✘
	Worn Platen	Replace platen ✘
	Foreign material on head or platen	Clean head and platen ☺
	Foreign materials on labels	Use high quality label stock ☺
	Damaged print head	Replace print head ✘

SYMPTOM	PROBABLE CAUSE	SUGGESTED CORRECTIVE ACTION
Light Images	Poor quality labels	Use thermal transfer compatible stock ☺
	Poor quality ribbons	Use genuine SATO ribbons ☺
	Low print head energy/darkness	Adjust darkness control ☺
	Low print head pressure	Use correct head pressure position ✖
	Ribbon not matched to label stock	Select better suited carbon Ribbon ☺
	Foreign material on head	Clean head and platen ☺
	Poor head alignment	Align Print Head ✖
	Excessive print speed	Reduce print speed setting ☺
Smearing	Poor quality labels	Select better suited carbon Ribbon ☺
	Poor quality ribbons	Use genuine SATO ribbons ☺
	Foreign material on head/platen	Clean head and platen ☺
	Foreign material on labels	Use high quality label stock ☺
	Excessive print head energy	Adjust darkness control ☺
	Excessive print speed	Adjust print speed ☺
	Excessive head pressure	Use correct head pressure position ✖
No Ribbon Movement	Incorrect ribbon core size	Use genuine SATO ribbons ☺
	Loose platen drive belt	Adjust/replace belt ✖
	No + 24 volt output	Test power supply and replace if required ✖
	Loose service screws on rewind pulley	Tighten service screws ✖
	Damaged electronics	Replace circuit board ✖
No Label Movement	Loose/broken platen drive belt	Adjust/replace belt ✖
	Incorrect label pitch sensor selected	Select correct label sensor type (DSW2-2) ☺
	No +24 volt output	Replace fuse on main PCB ✖ Test power supply and replace if required ✖
	Loose set screw on platen pulley/step-per motor	Tighten set screws ✖
No Printed Image	Print head not connected	Verify print head connector fully seated at head and PCB ✖
	Ribbon upside down	Use genuine SATO ribbons ☺
	No + 24 volt output	Test power supply and replace if required ✖

SYMPTOM	PROBABLE CAUSE	SUGGESTED CORRECTIVE ACTION
No Printed Image	Damaged print head	Replace print head ✖
	Damaged electronics	Replace circuit board ✖
Back light but no words on display or no display.	Most common failure of printer is DOA situation. The most likely cause is the ribbon cable has fallen out or not seated fully into connector.	Verify that the cable and connector are properly seated ☺
POWER LED not on	AC power cable not connected	Verify that the cable is connected to the printer and the AC outlet ☺
	Main Power Fuse defective	Replace fuse ✖
	Defective power supply	Test power supply and replace if defective ✖
ERROR LED on	Head not locked	Close and latch head release ☺
LABEL LED on	Label supply roll empty	Replenish label supply ☺
	Label stock not routed through sensor	Reload labels ☺
	Label sensor not positioned correctly	Adjust sensor position ✖
	Label sensor blocked	Clean label sensor ☺
	Incorrect label sense threshold setting	Adjust label sense threshold ✖
RIBBON LED on	Ribbon supply roll empty	Replenish ribbon supply ☺
	Ribbon sensor out of alignment	Realign ribbon sensor ✖
	Ribbon sensor blocked	Clean ribbon sensor ✖
	No cardboard core on ribbon rewind	Use cardboard core on ribbon rewind ☺
ON LINE LED not on	LABEL, RIBBON, ERROR LED (s) on	Clear error condition ☺
	Illegal printer memory state	Cycle POWER switch off and back on ☺
No Label Drive	Timing Belt bad/loose	Replace/tighten timing belts ✖

ERROR SIGNALS

The LCD Display, Front Panel LED Indicators and Buzzer provide a visual/audio indication of the type of error encountered.

LED	LCD MESSAGE	AUDIBLE BEEP	ERROR CONDITION	POSSIBLE CAUSES
Error On	Machine Error	1 Long	Machine Error	1. Defective Board ✖
Error On	EEPROM Error	1 Long	EEPROM Read/Write	1. EEPROM not installed correctly ✖ 2. Overwriting EEPROM ✖
Error On	Head Error	1 Long	Head	1. Electrical head malfunction ✖

LED	LCD MESSAGE	AUDIBLE BEEP	ERROR CONDITION	POSSIBLE CAUSES
Error On	Sensor Error	3 Short	Sensor	1. Paper jam ☺ 2. Sensor DSW setting ✖ 3. Sensor level adjustment ✖
Error Blinks	Card R/W Error	1 Long	Memory Card Read/Write	1. Card not formatted ✖ 1. No card recognized ✖
Error Blinks	Card Low Battery	1 Long	Memory Card Battery Low	1. Card battery needs replacement ✖
Error Blinks	Card No Battery	1 Long	No Battery in Card	1. Card needs battery installed ✖
Error Blinks	Head Open	3 Short	Head Open	1. Head not latched ☺ 2. Head latch switch bad ✖
Error Blinks	Cutter Error	3 Short	Cutter	1. Cutter jam ✖ 2. Cutter sensor dirty ✖
Error On Line Blinks	Parity Error	3 Short	RS232 Parity Error	1. RS232 parameter mismatch ✖
Error On Line Blinks	Overrun Error	3 Short	RS232 Overrun Error	1. RS232 parameter mismatch ✖
Error On Line Blinks	Framing Error	3 Short	RS232 Framing Error	1. RS232 parameter mismatch ✖
Error On Line Blinks	Buffer Over	3 Short	Buffer Overflow	1. Command stream exceeds buffer size ✖
Error Blinks	Paper End	3 Short	Media End	1. No paper ☺ 2. Paper incorrectly loaded ☺
Error Blinks	Ribbon End	3 Short	Ribbon End	1. Needs new ribbon roll ☺ 2. Ribbon sensor needs adjustment ✖
	Download Error R/W Error Mem Full Error	3 Short	Download Error	1. Read/Write error ✖ 2. Corrupted download file ✖ 3. Download file too large ✖
	CopyCard/ Format R/W Error No Card Error Mem Full Error	3 Short	Card Copy or Format Error	1. R/W error during copying. ✖ 2. Card not installed properly. ✖ 3. File too large. ✖

SECTION 6. INTERFACE SPECIFICATIONS

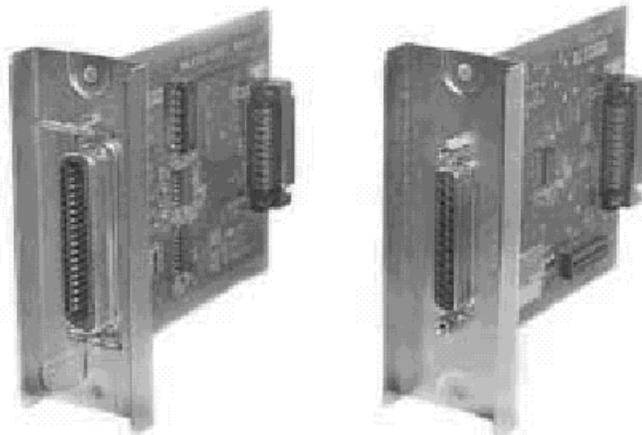
INTRODUCTION

The M-84PRO printer utilize a Plug-In Interface Module for maximum printer configuration flexibility. This section presents the interface specifications for the M-84PRO printers. These specifications include detailed information on how to properly interface your printer with your host system.

The following information is presented in this section:

- Using the Receive Buffer
- IEEE1284 Parallel Interface
- Universal Serial Bus (USB) Interface
- Local Area Network (LAN) Interface
- RS232C Serial Interface
- Bi-Comm Communications Protocol
- Status Response

WARNING: Never connect or disconnect interface cables (or use a switch box) with power applied to either the host or the printer. This may cause damage to the interface circuitry in the printer/host and is not covered by warranty.



IEEE1284 PARALLEL INTERFACE

The parallel interface for the M-84PRO printers is a Plug-In Interface Module that can be installed by the user. It conforms to the IEEE1284 specification. It will automatically detect the IEEE1284 signals and operate in the high speed mode. If it does not detect the IEEE1284 signals, it will operate in the standard Centronics mode, which is significantly slower. For this reason, an interface cable and host interface conforming to the IEEE1284 specification must be present to fully utilize the speed capabilities. This interface also operates bi-directionally and can report the status of the printer back to the host.

ELECTRICAL SPECIFICATIONS

Printer Connector	AMP 57-40360 (DDK) or equivalent
Cable Connector	AMP 57-30360 (DDK) or equivalent
Cable	IEEE1284 Parallel, 10 ft. (3 m) or less
Signal Level	High = +2.4V to +5.0V Low = 0V to -0.4V

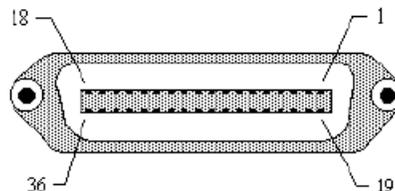
DATA STREAMS

<ESC>A . . Job#1 . . <ESC>Z<ESC>A . . Job#n . . <ESC>Z

IEEE1284 Parallel Interface Pin Assignments

PIN	SIGNAL	DIRECTION	PIN	SIGNAL	DIRECTION
1	STROBE	To Printer	19	STROBE Return	Reference
2	DATA 1	To Printer	20	DATA 1 Return	Reference
3	DATA 2	To Printer	21	DATA 2 Return	Reference
4	DATA 3	To Printer	22	DATA 3 Return	Reference
5	DATA 4	To Printer	23	DATA 4 Return	Reference
6	DATA 5	To Printer	24	DATA 5 Return	Reference
7	DATA 6	To Printer	25	DATA 6 Return	Reference
8	DATA 7	To Printer	26	DATA 7 Return	Reference
9	DATA 8	To Printer	27	DATA 8 Return	Reference
10	ACK	To Host	28	ACK Return	Reference
11	BUSY	To Host	29	BUSY Return	Reference
12	PTR ERROR	To Host	30	PE Return	Reference
13	SELECT	To Host	31	INIT	From Host
14	AUTOFD ⁽¹⁾	To Host	32	FAULT	To Host
15	Not Used		33	Not Used	
16	Logic Gnd		34	Not Used	
17	FG	Frame Ground	35	Not Used	
18	+5V (Z=24K ohm)	To Host	36	SELECTIN ⁽¹⁾	From Host

(1) Signals required for IEEE1284 mode.



RS232 SERIAL INTERFACE

The High Speed Serial Interface is a Plug-In Interface Module that can be installed in the printer by the user.

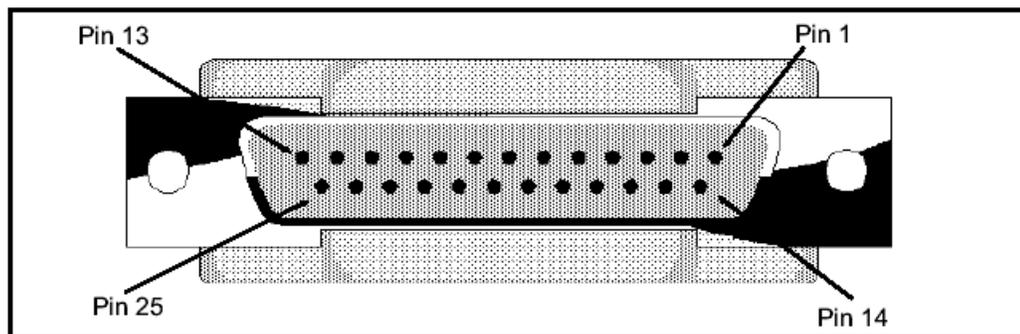
GENERAL SPECIFICATIONS

Asynchronous ASCII	Half-duplex communication Ready/Busy Hardware Flow Control Pin 20, DTR Control Pin 4, RTS Error Condition X-On/X-Off Software Flow Control Bi-Directional Communication
Data Transmission Rate	9600, 19200, 38400, 57600 bps
Character Format	1 Start Bit (fixed) 7 or 8 data bits (selectable) Odd, Even or No Parity (selectable) 1 or 2 Stop bits (selectable)

ELECTRICAL SPECIFICATIONS

Connector DB-25S (Female)	
Cable	DB-25P (Male), 50 ft. maximum length. For cable configuration, refer to Cable Requirements appropriate to the RS232C protocol chosen.
Signal Levels	High = +5V to +12V Low = -5V to -12V

PIN ASSIGNMENTS



RS232C Interface Signals

PIN	DIRECTION	SIGNAL DEFINITION
1	Reference	FG (Frame Ground)
2	To Host	TD (Transmit Data) - Data from the printer to the host computer. Sends X-On/X-Off characters or status data (Bi-Directional protocols).
3	To Printer	RD (Receive Data) - Data to the printer from the host computer.
4	To Host	RTS (Request to Send) - Used with Ready/Busy flow control to indicate an error condition. RTS is high and remains high unless the print head is open (in this case, RTS would return to the high state after the print head is closed and the printer is placed back on-line) or an error condition occurs during printing (e.g., ribbon out, label out).
5	To Printer	CTS (Clear to Send) - When this line is high, the printer assumes that data is ready to be transmitted. The printer will not receive data when this line is low. If this line is not being used, it should be tied high (to pin 4).
6	To Printer	DSR (Data Set Ready) - When this line is high, the printer will be ready to receive data. This line must be high before data is transmitted. If this line is not being used, it should be tied high (to pin 20).
7	Reference	SG (Signal Ground)
20	To Host	DTR (Data Terminal Ready) - This signal applies to Ready/Busy flow control. The printer is ready to receive data when this pin is high. It goes low when the printer is off-line, either manually or due to an error condition, and while printing in the Single Job Buffer mode. It will also go low when the data in the buffer reaches the Buffer Near Full level.

CABLE REQUIREMENTS

DB9	DB25	HOST	INTERCONNECTION	DB25	PRINTER
1	1	FG	←	1	FG (Frame Ground)
2	3	RD	→	2	TD (Transmit Data)
3	2	TD	↔	3	RD (Receive Data)
8	5	CTS	→	4	RTS (Request to Send)
7	4	RTS	→	5	CTS (Clear to Send)
4	20	DTR	→	6	DSR (Data Set Ready)
6	6	DSR*	←	20	DTR (Data Terminal Ready)
5	7	SG	↔	7	SG (Signal Ground)

* This connection at the host side of the interface would depend upon the pin that is being used as the Ready/Busy signal by the driving software. Typically, on a PC, it would be either CTS (pin 5) or DSR (pin 6) on a DB-25 connector.

UNIVERSAL SERIAL BUS (USB) INTERFACE

The Universal Serial Bus (USB) interface is a Plug-In Interface Module that can be installed by the user. It requires a driver (shipped with each printer that has the interface installed) that must be loaded on your PC and the PC must be configured to support USB peripherals using Windows 98 or above. Details for loading the USB driver are contained in the USB Interface Manual that is shipped with each printer with a USB Optional interface installed. Up to 127 devices may be connected to a USB port using powered hubs.

GENERAL SPECIFICATIONS

Connector:	USB Type B Plug
Cable:	10 ft (3 m) max
Host:	Windows 98 or above with USB Port

ELECTRICAL SPECIFICATIONS

Power Supply:	BUS Power through cable
Power Consumption:	+5V@80ma

LOCAL AREA NETWORK (LAN) INTERFACE

A Local Area Network (LAN) interface is a Plug-In Interface Module that can be installed by the user. It requires a driver shipped with each printer that has the interface installed. The driver that must be loaded on your PC and the PC must be configured to run one of the supported network protocols using a 10/100BaseT LAN connection. Details for loading the LAN driver are contained in the LAN Interface Manual that is shipped with each printer with a LAN Optional interface installed.

GENERAL SPECIFICATIONS

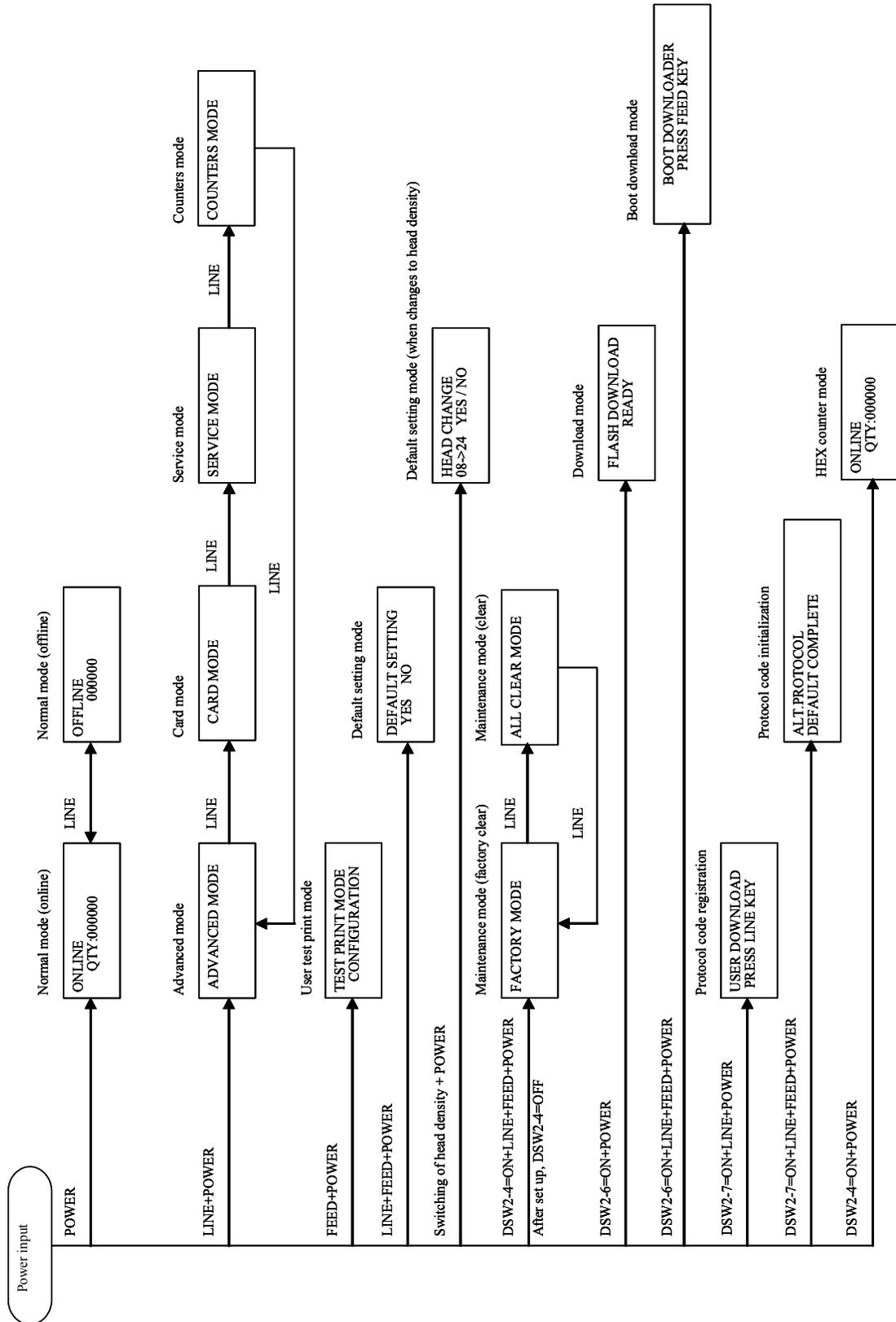
Cable:	10/100BaseT Category 5
Connector:	RJ-45 Receptical

ELECTRICAL SPECIFICATIONS

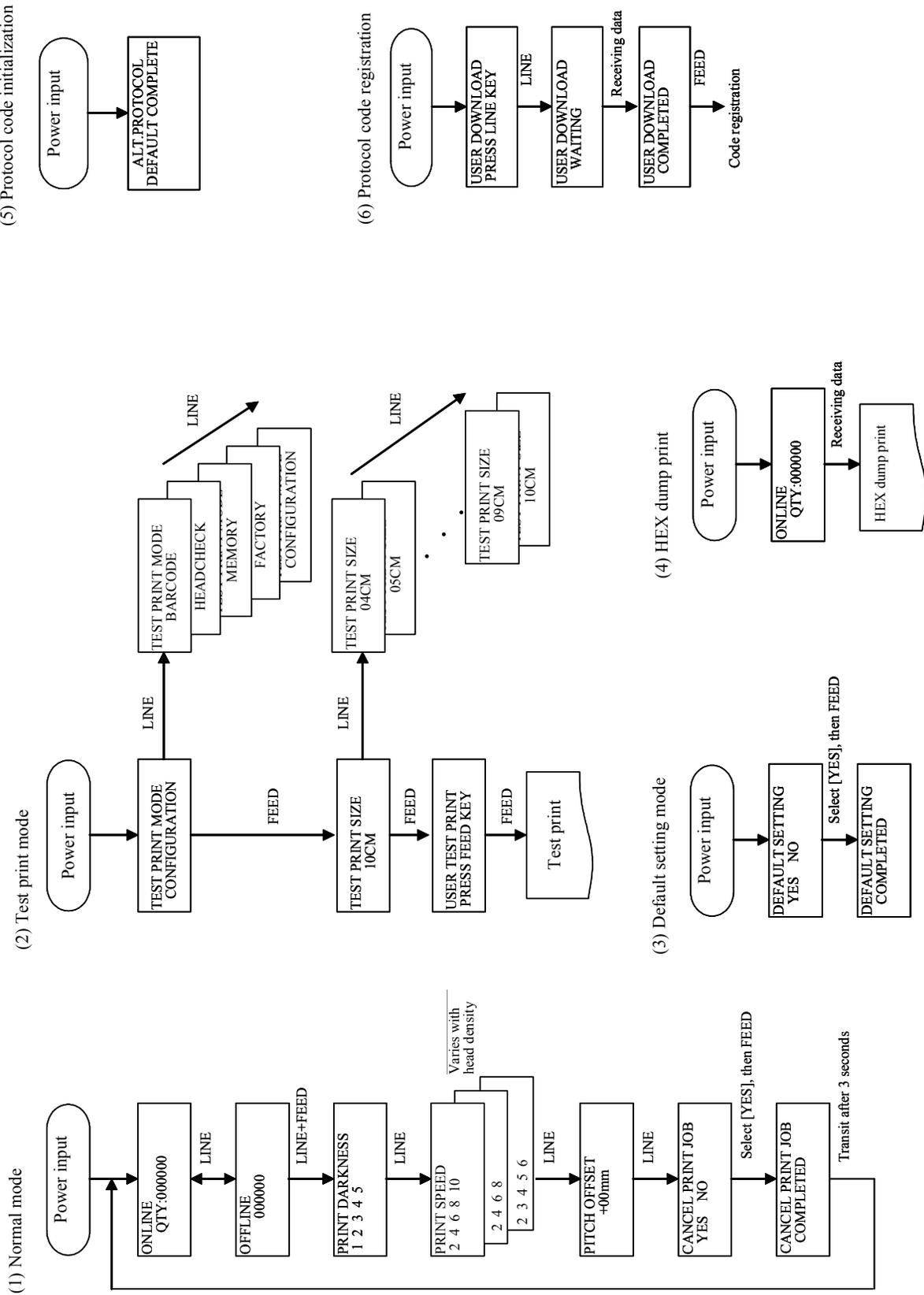
Power Supply:	Powered from printer
----------------------	----------------------

APPENDIX A

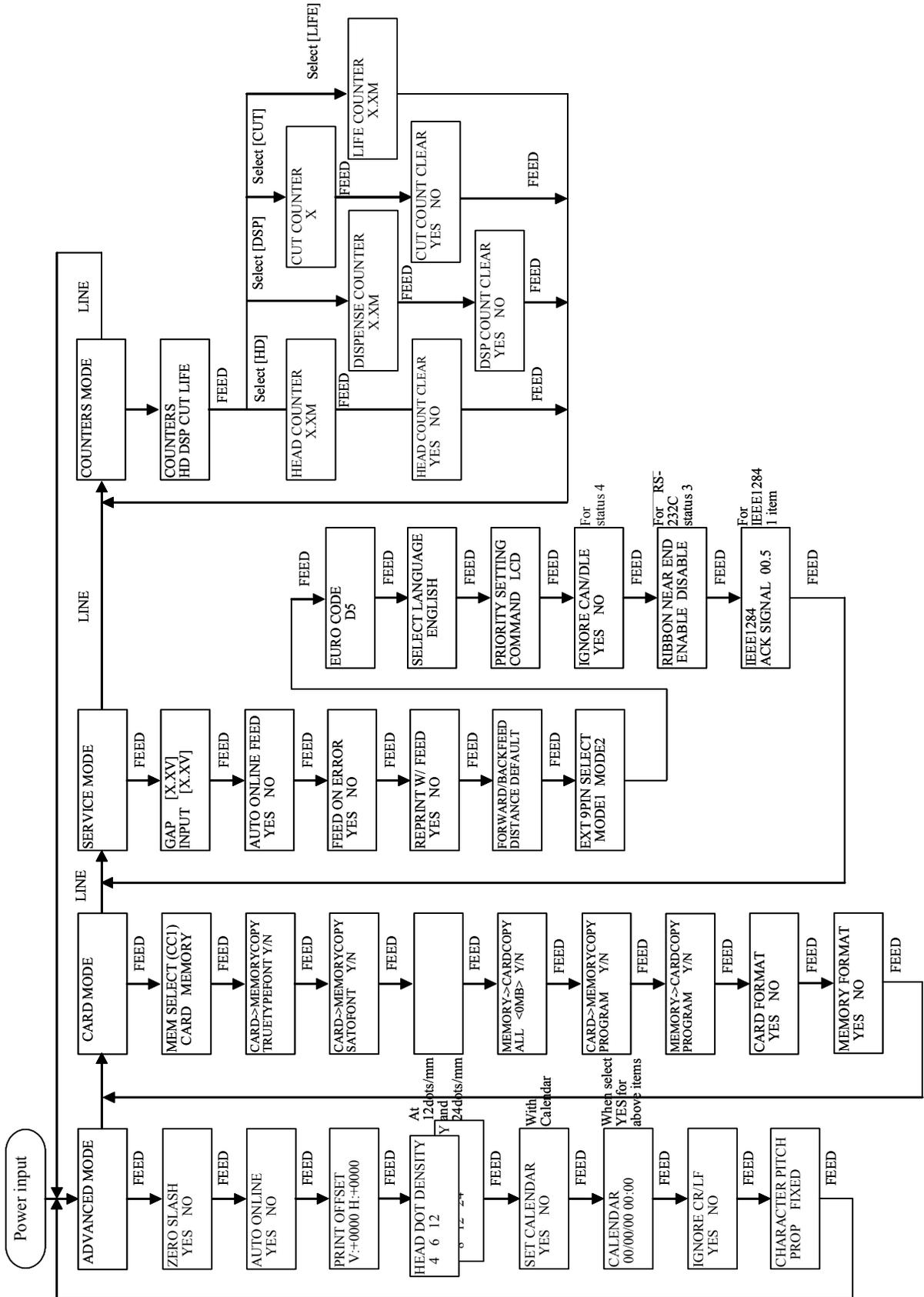
Mode Transition Diagram



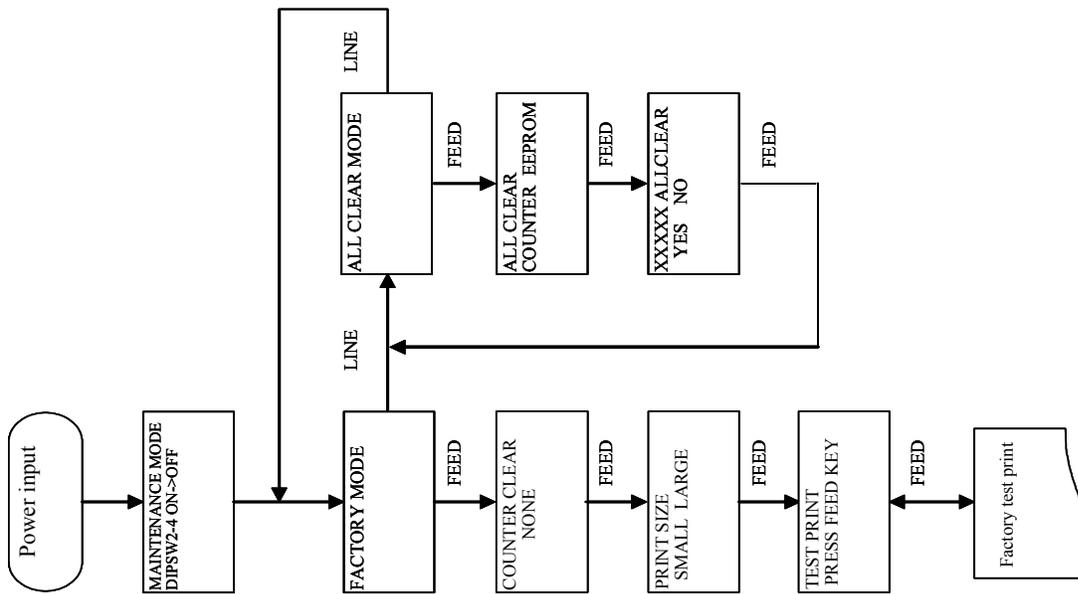
List of Various Mode



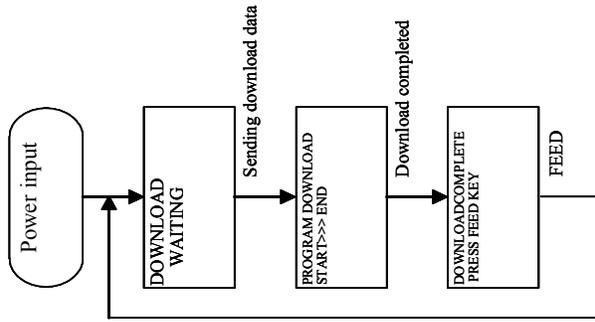
(7) Advanced mode, Card mode, Service mode, Counter mode



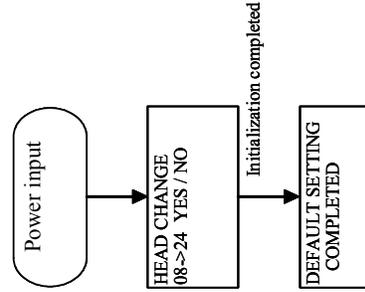
(8) Maintenance mode (Factory Clear, Clear)



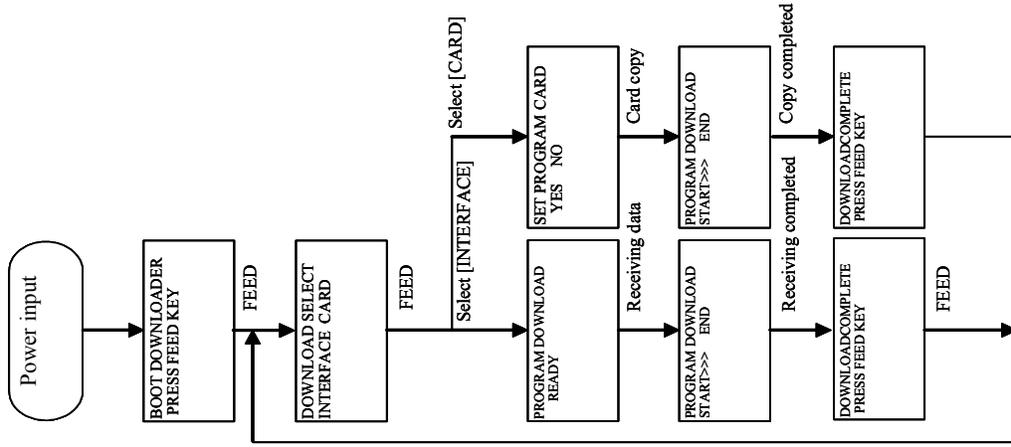
(9) Download mode



(11) Default setting mode
(Changes to density)



(10) Boot download mode



MANUFACTURERS DECLARATION OF CONFORMITY

Product identification Product: Thermal or Thermal Transfer Printer
Type: **M84Prox (x: A to Z, -, or blank, up to 10 digits)**
Options: all

Means of conformity

The product is in conformity with the **EMC Directive 89/336/EEC, 92/31/EEC and 93/68/EEC** based on test results using harmonised standards.

standards used: EN55022 (Class B)
EN61000-3-2: 1995 / A1:1998 / A2:1998
EN61000-3-3: 1995
Test report number: E22282

EN55024 : 1998
EN61000-4-2: 1995
EN61000-4-3: 1996
EN61000-4-4: 1995
EN61000-4-5: 1995
EN61000-4-6: 1996
EN61000-4-8: 1993
EN61000-4-11 : 1994
Test report number: S22282

Test carried out by: COSMOS Corporation
Date: 29.05.2002

The product is in conformity with **Low Voltage Directive 73/23/EEC** based on test results using harmonised standards.

standards used: EN60950/A11 : 1997
Test carried out by: TÜV Product Service GmbH
Certificate No: AL 02 05 15569 027
Date: 22.05.2002

Manufacturer: Bar Code SATO Electronics (M) SDN. BHD.
Lot 20, Jalan 223
46100 Petaling Jaya
Selangor Darul Ehsan, Malaysia

EC Representative: SATO Europe NV Leuvensesteenweg 369
1932 Sint-Stevens-Woluwe - Brussels
Belgium

Signature: AG Britts
Function: Managing Director SATO Europe NV
Date: 06.10.2003

