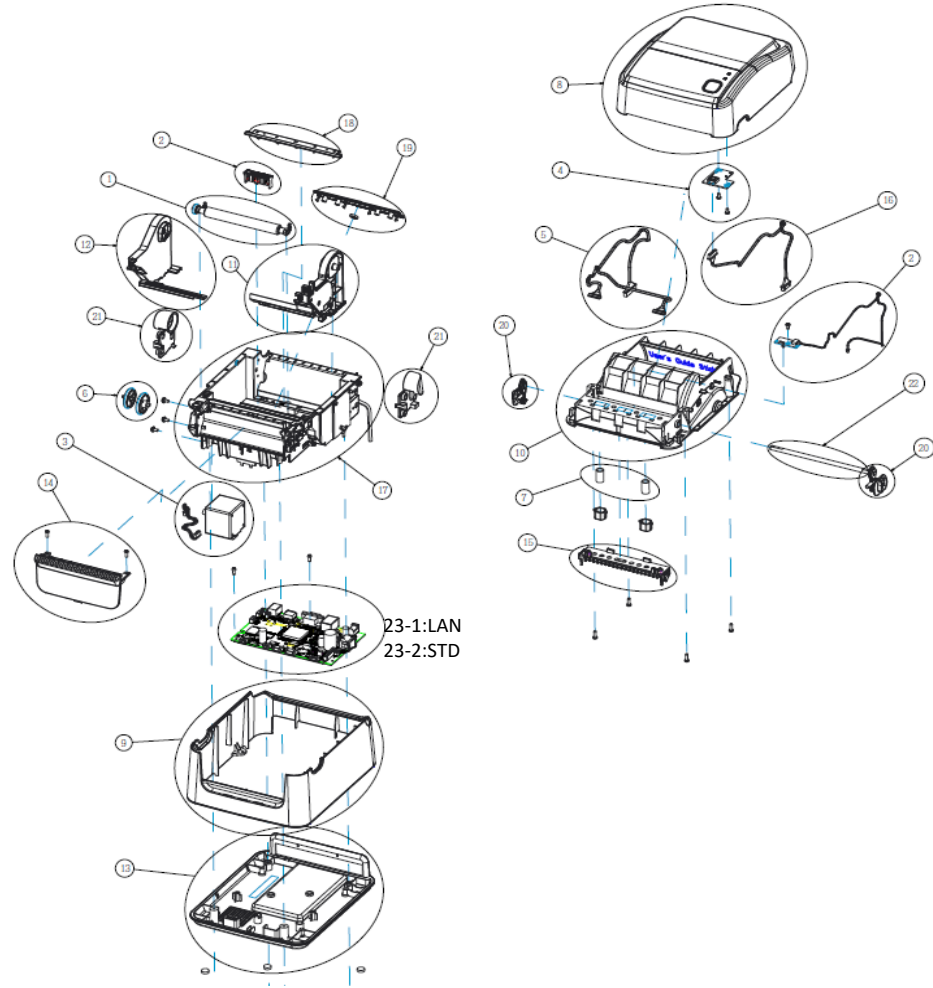


WS4DT Spare Part Exploded List

Item	WS2 Part No.	name	Description
1	59-WD2A1-001	Module Platen Roller	
2	59-WD2A2-001	Sensor Package	
3	59-WD2A3-001	Module Motor	
4	59-WD2A5-001	Panel PCBA	
5	59-WD2A6-001	TPH Cable	
6	59-WD2A7-001	Gear Package	
7	59-WD2A8-001	Spring TPH Package	
8	59-WD2A9-001	Module Top Cover	
9	59-WD2B1-001	Cover Mid	
10	59-WD2B2-001	Bracket Top	
11	59-WD2B3-001	Module Media Holder R	
12	59-WD2B4-001	Module Media Holder L	
13-1	59-WD2B5-001	Cover Bottom Package	(LAN)
13-2	59-WD2B5-011	Cover Bottom Package	(STD)
14	59-WD2B6-001	Cover Front Package	
15-1	59-WD2B8-001	203dpi TPH Kit	200dpi
15-2	59-WD3A1-001	300dpi TPH Kit	300dpi
16	59-WD2B9-001	Panel Cable	
17	59-WD2C1-002	Chassis V2	
18	59-WD2C2-001	Rack Holder Side	
19	59-WD2C3-001	Rack Holder Mid Package	
20	59-WD2C4-001	Latch Package	
21	59-WD2C5-001	Hinge Cover Package	
22	59-WD2C6-001	Shaft Latch	
23-1	59-WT2A3-031	WS4 Series MB PCBA	WS4(LAN)
23-2	59-WT2A3-041	WS4 Series MB PCBA	WS4(STD)



WS4TT Spare Part Exploded List

Item	WS2 Part No.	name	Description
1	59-WT2A1-001	Ribbon Adaptor	
2	59-WT2A2-001	Module Platen Roller	
3-1	59-WT2A3-031	WS4 Series MB PCBA	WS4(LAN)
3-2	59-WT2A3-041	WS4 Series MB PCBA	WS4(STD)
4	59-WT2A4-001	Sensor Package	
5	59-WT2A5-001	Module Motor	
6	59-WT2A7-001	Panel PCBA	
7	59-WT2A8-001	TPH Cable	
8	59-WT2A9-001	Gear Package	
9-1	59-WT205-001	Module TPH 203dpi	200dpi
9-2	59-WT301-001	Module TPH 300dpi	300dpi
10	59-WT2B2-001	Spring TPH Package	
11	59-WT2B3-001	Module Top Cover	
12	59-WT2B4-001	Mid Cover Package	
13	59-WT2B5-001	Module Chassis	
14	59-WT2B6-001	Module Media Holder R	
15	59-WT2B7-001	Module Media Holder L	
16-1	59-WT2B8-001	Cover Bottom Package	
16-2	59-WT2B8-011	Cover Bottom Package	
17	59-WT2B9-001	Cover Front Package	
18	59-WT2C2-001	Module Media Roller	
19	59-WT2C4-001	Module See Through	
20	59-WT207-001	Latch Package	

