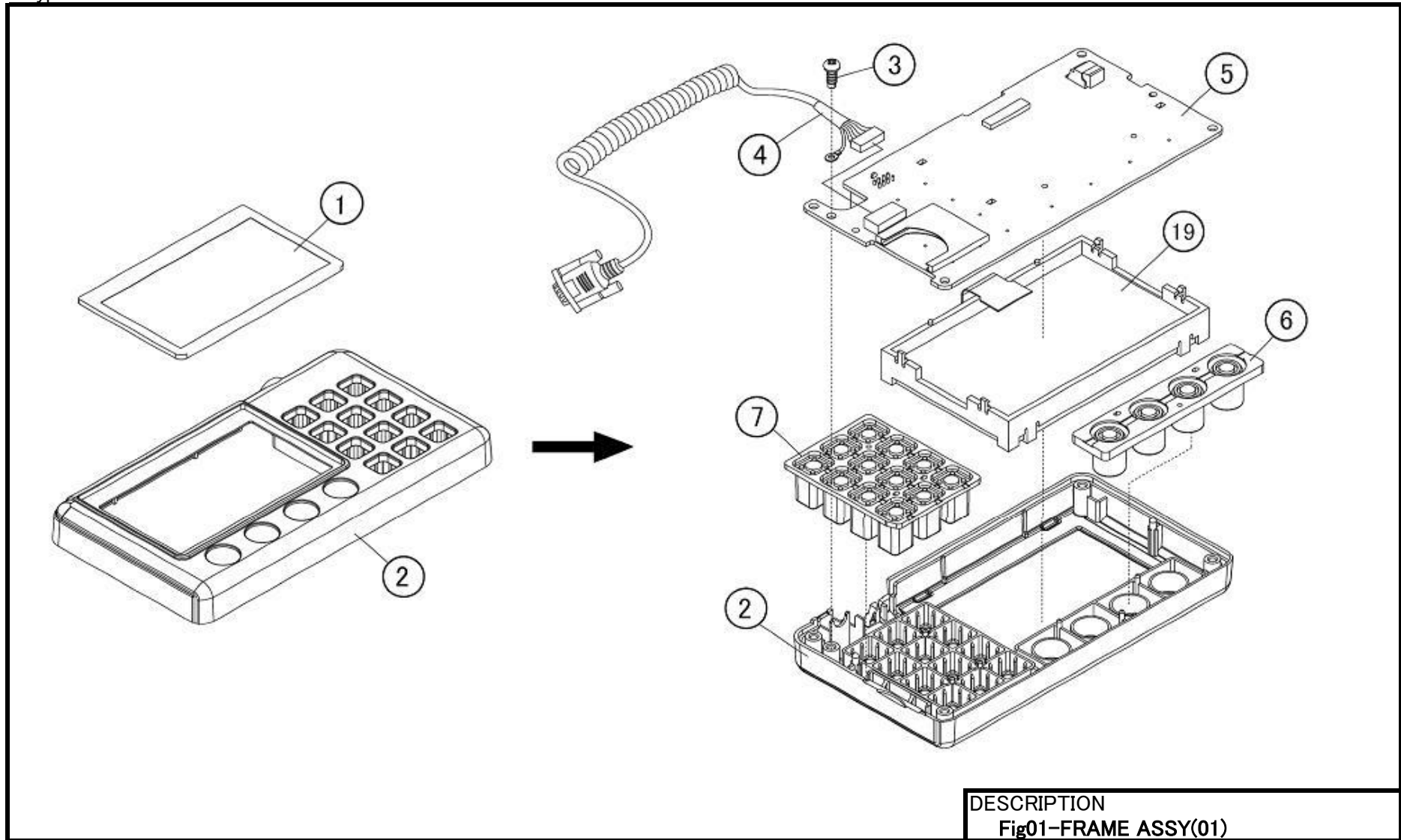
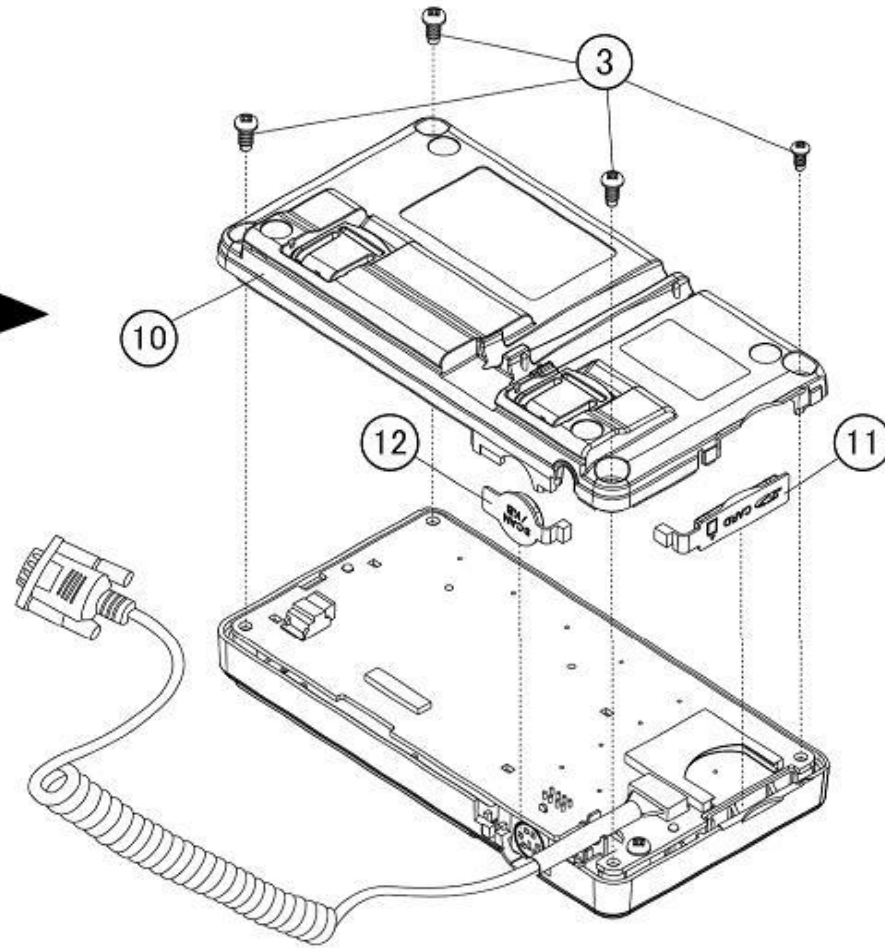
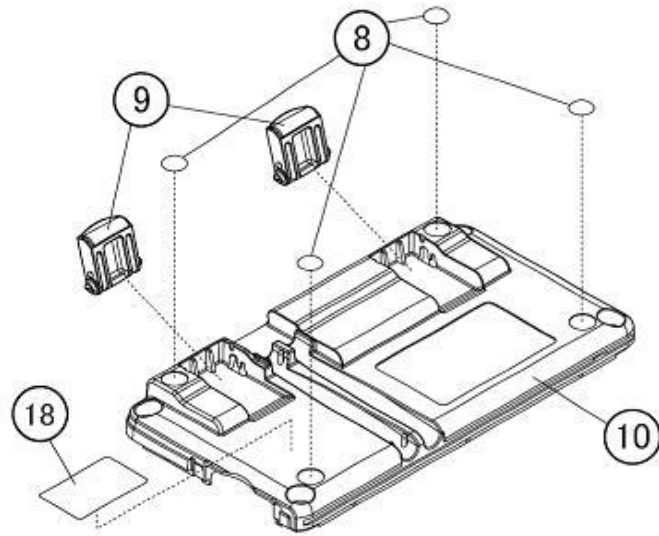


# Keypad SERVICE PARTS LIST

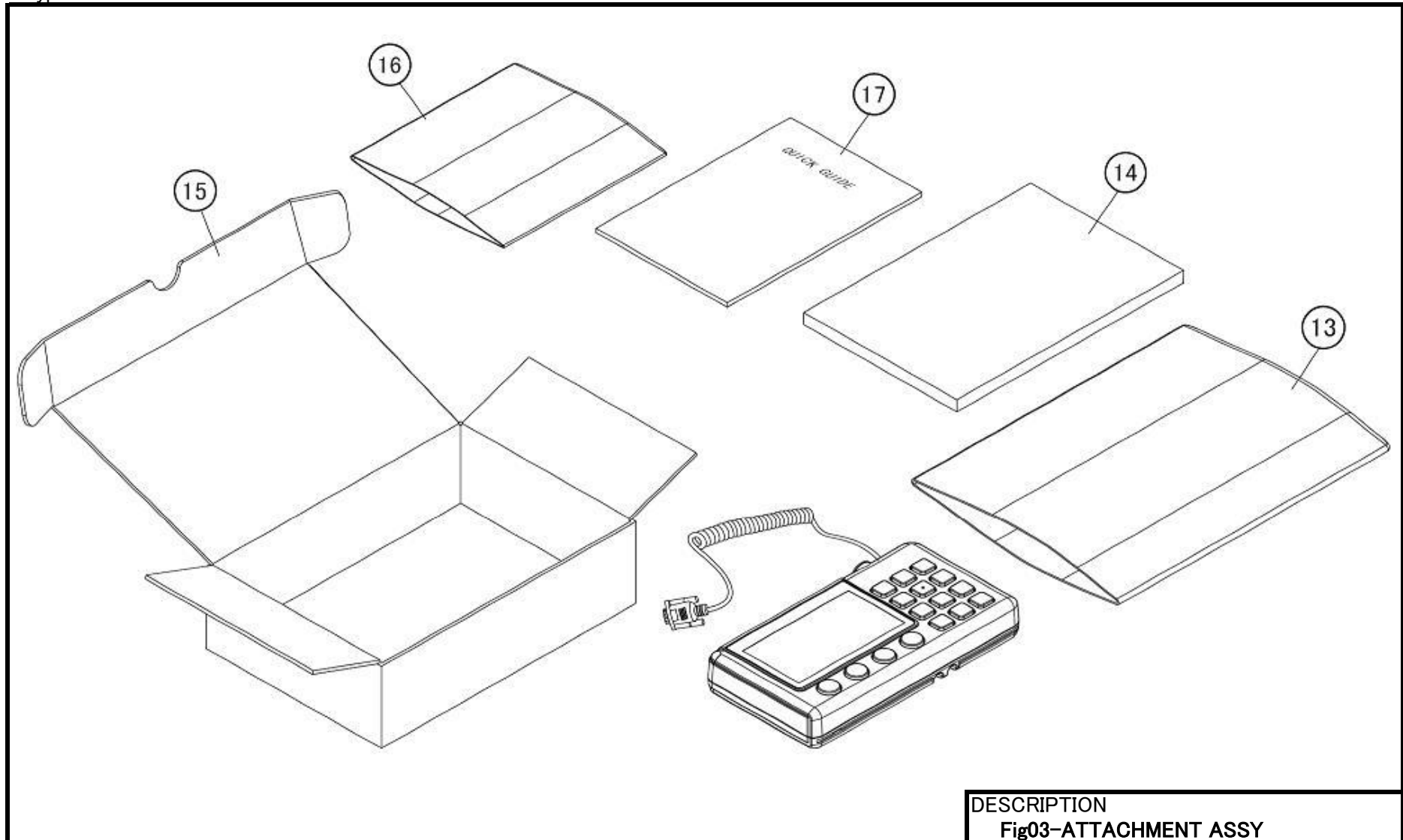


Create Date:





DESCRIPTION  
Fig02-FRAME ASSY(02)



## Keypad SERVICE PARTS LIST

AssyName

No	First_Code	Description	Standard	Std_List Price	NOTE
1	R12380000	WINDOW(LCD)			Fig01
2	P26738001	TOP CASE			Fig01
3	M16221000	BIND HEAD P TIGHT SCREW			Fig01,02
4	J00051000	CURL CODE			Fig01/Recommended Spare Parts
5	R12370000	SIMPLE PCB SUB ASSY-LF			Fig01/Recommended Spare Parts
6	R12377000	KEYPAD(FUNCTION_KEY)SILK			Fig01/Recommended Spare Parts
7	R12376000	KEYPAD_EX(10KEY)SILK			Fig01/Recommended Spare Parts
8	PT6570100	CASE LEG			Fig02
9	P26735000	FOOT			Fig02
10	P26740001	BOTTOM CASE			Fig02
11	P26733000	CAP(SD)			Fig02
12	P26732000	CAP(MINI DIN)			Fig02
13	Q02191000	EPE FOAM BAG			Fig03
14	Q02188000	PAD(KEY-BO)			Fig03
15	Q02153000	ACCESSORY BOX(KEY-BO)			Fig03
16	QB1A30200	POLY BAG			Fig03
17	Q02168000	QUICK GUIDE			Fig03
18	Q02156000	STICKER(DO_NOT_DROP)			Fig02
19	R12378000	LCD CORD SET-LF			Fig01/Recommended Spare Parts