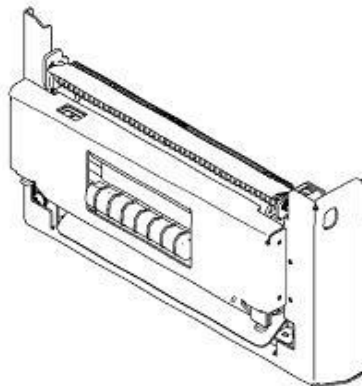
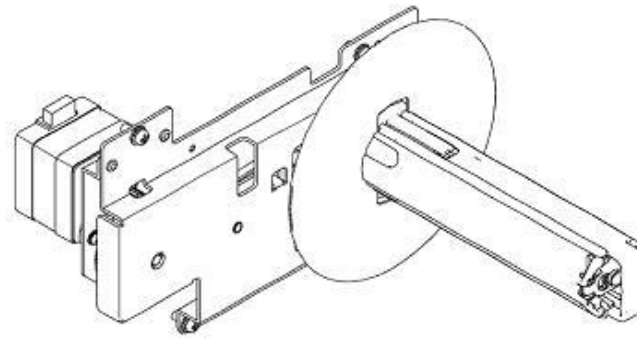


DATE: 23 May, 2014



## DISPENSER KIT(CL4NX) SERVICE PARTS LIST



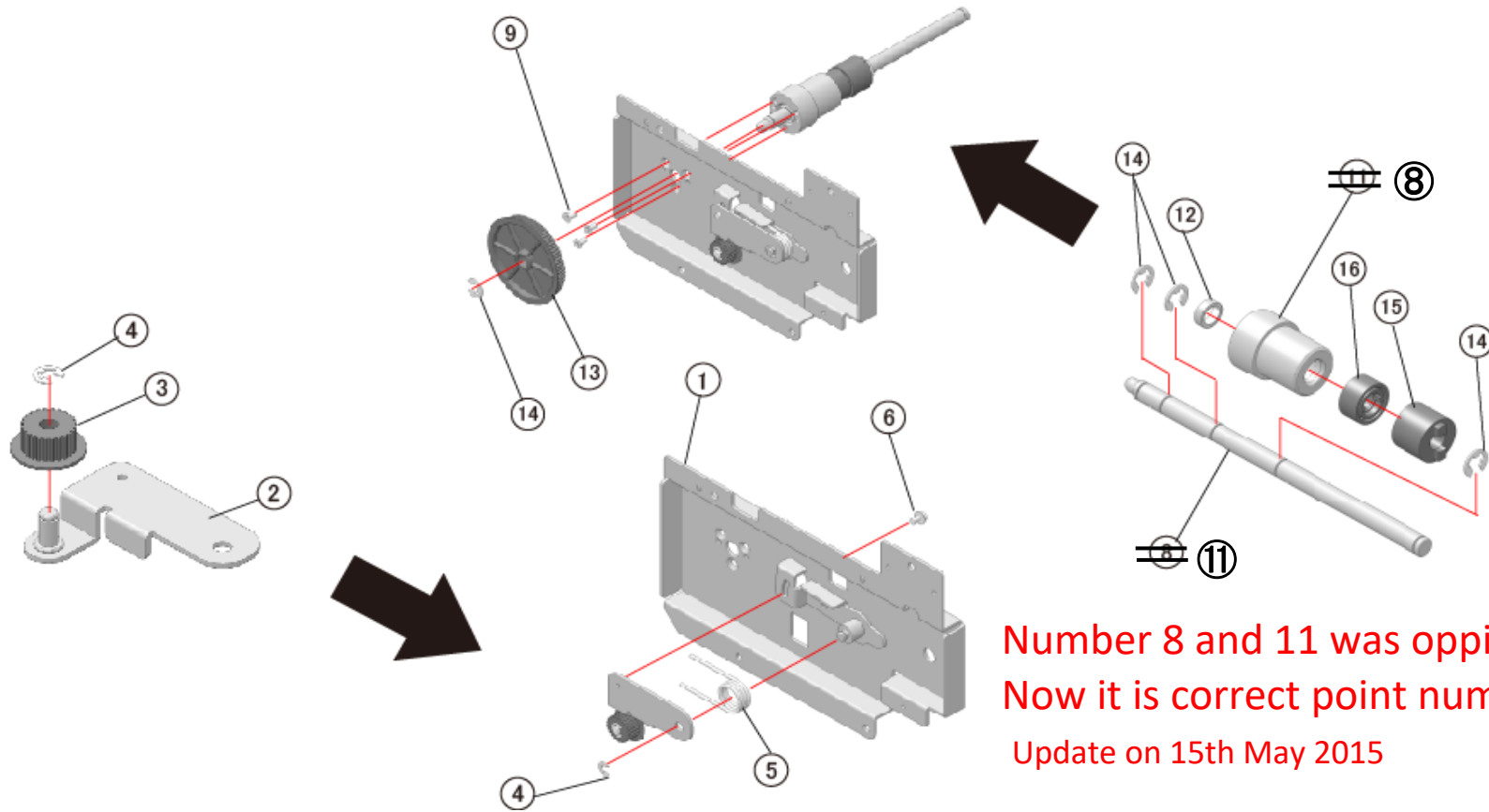
Create Date:

WWGL05200

RV13-540

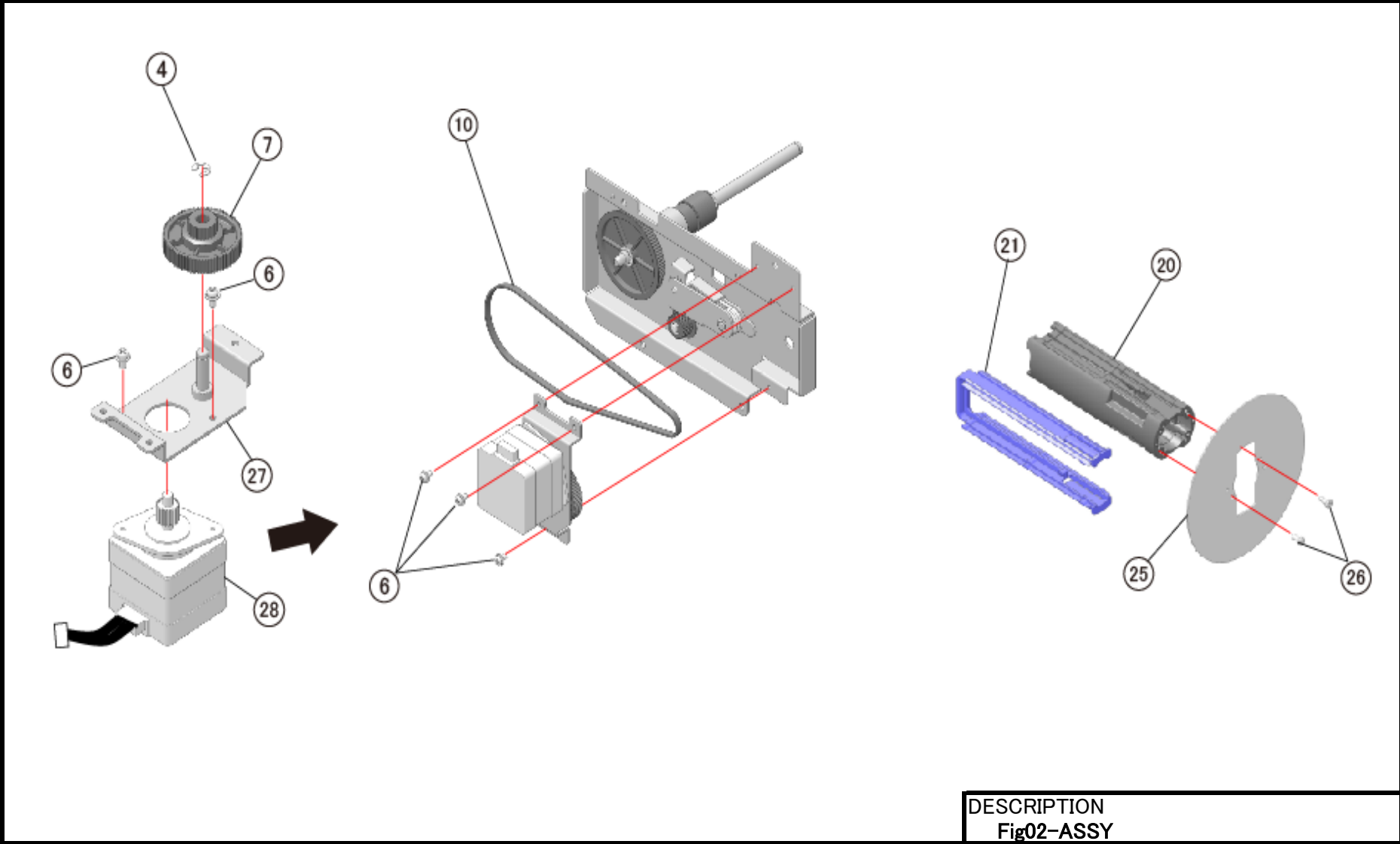
Update 15th May 2015 by SIE  
Fig 01 Assy

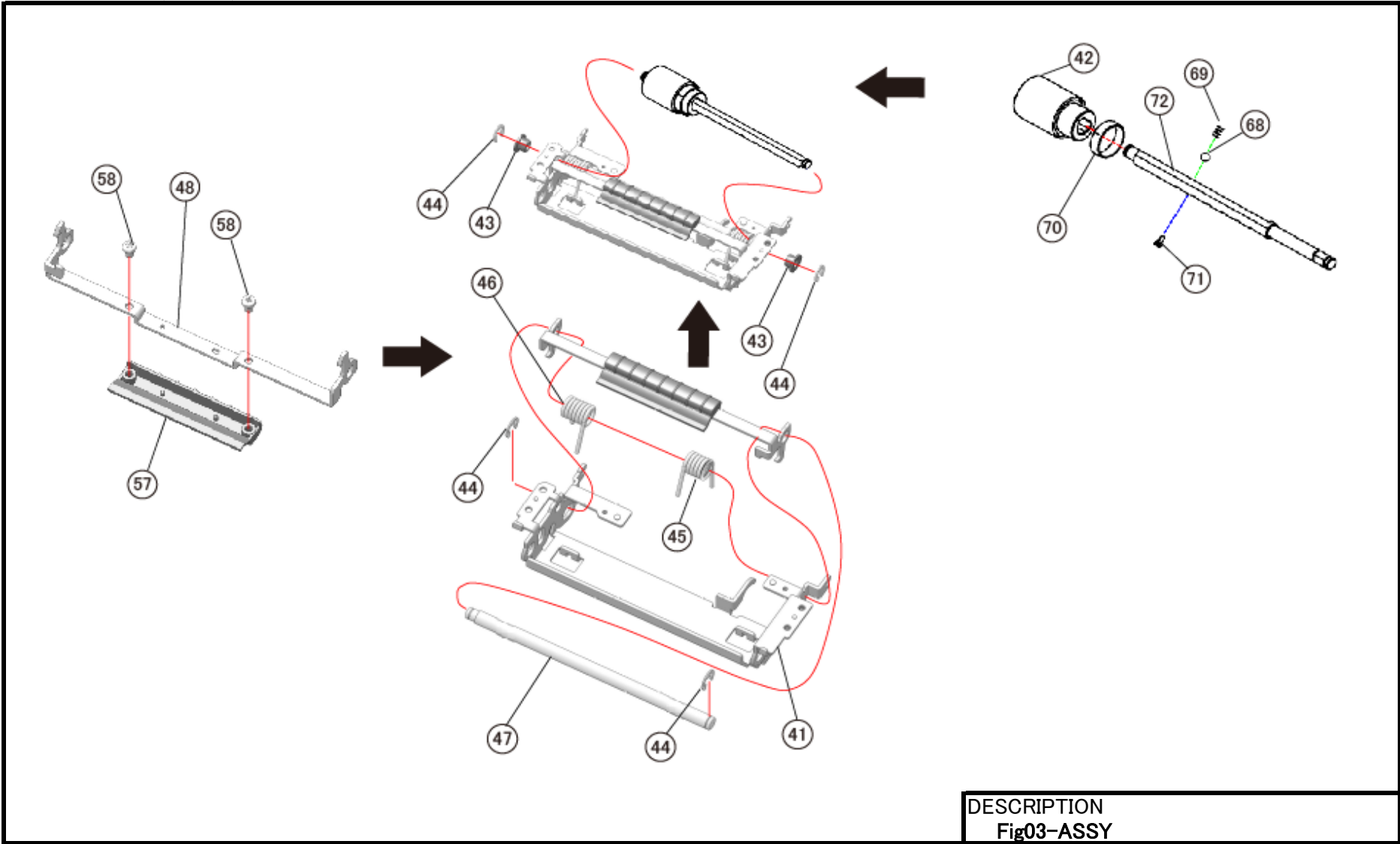
SATO CORPORATION . TOKYO. JAPAN

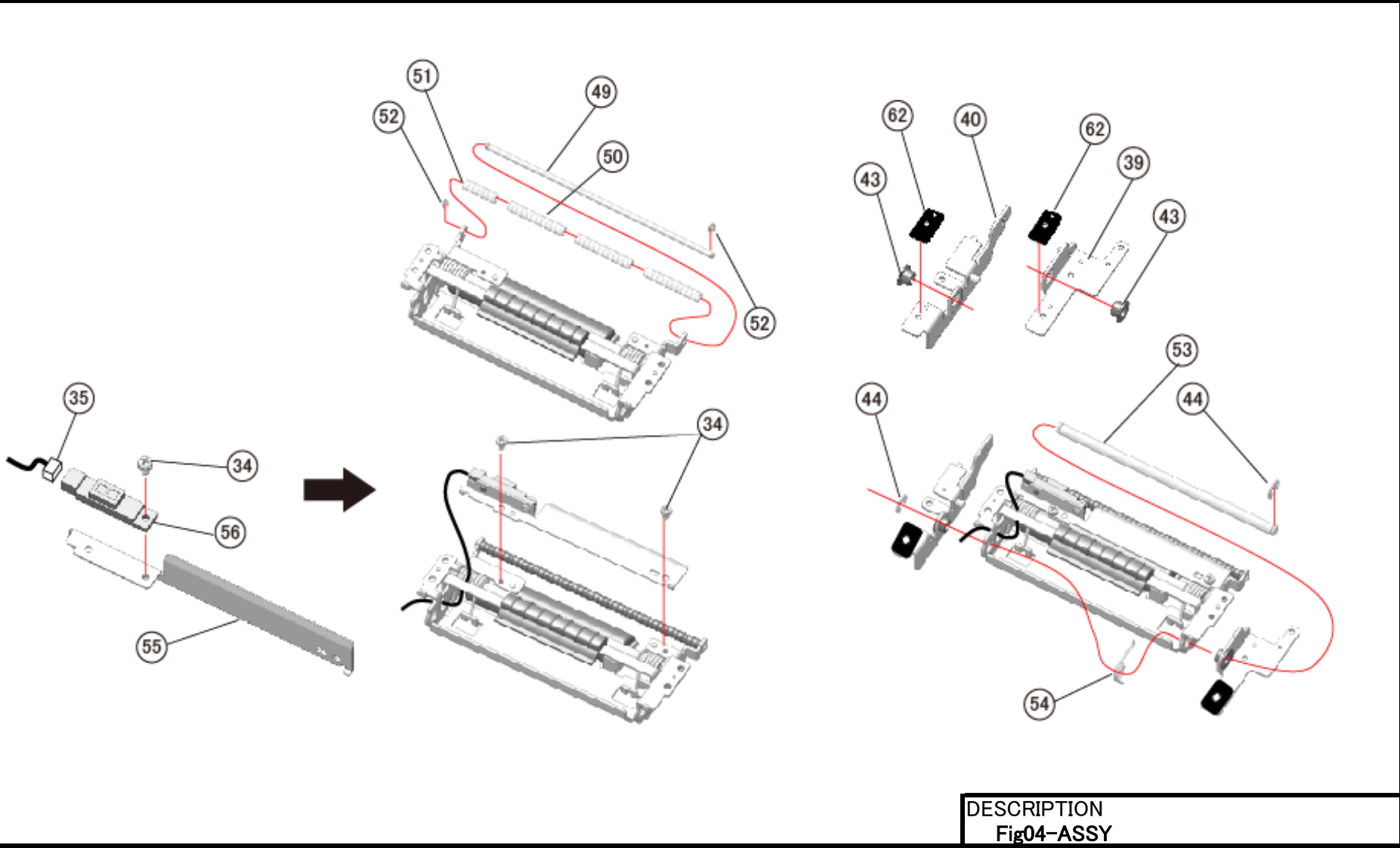


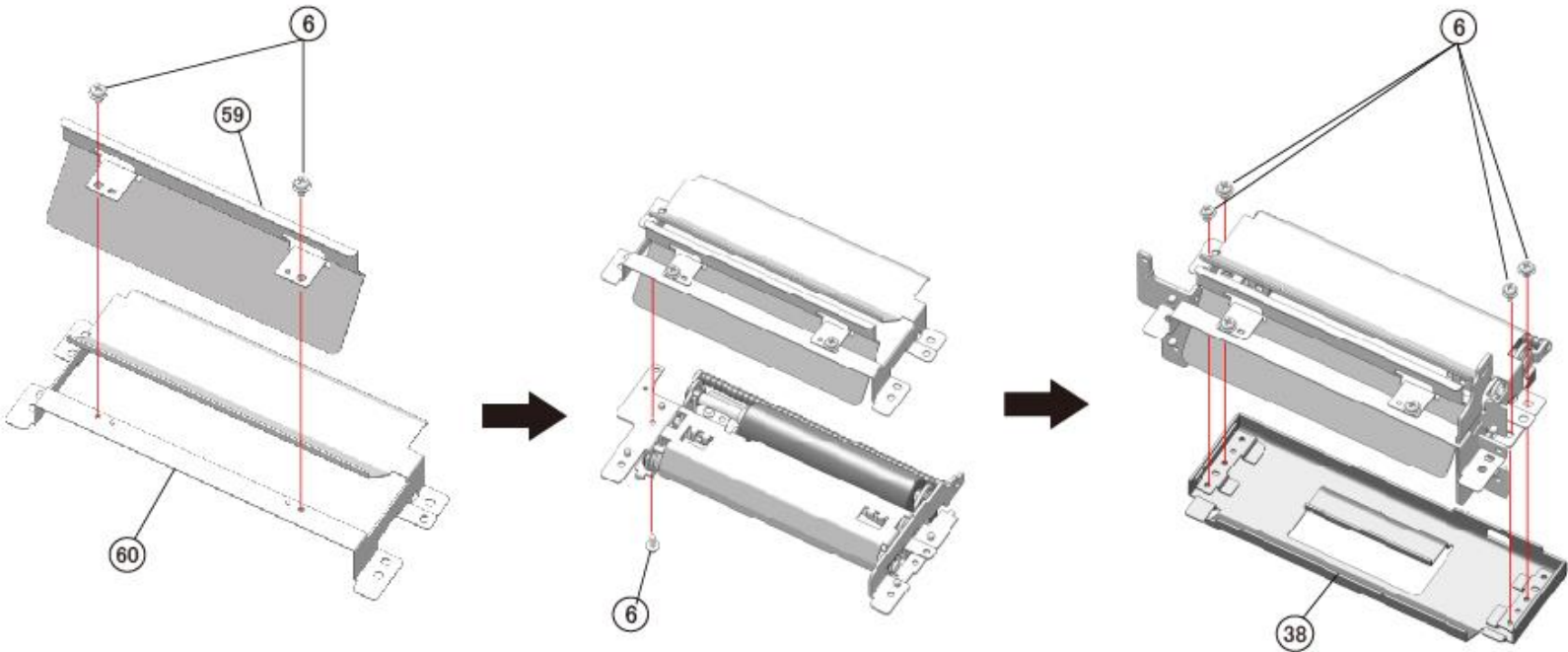
Number 8 and 11 was oppisite.  
Now it is correct point numbers.  
Update on 15th May 2015

DESCRIPTION  
Fig01-ASSY

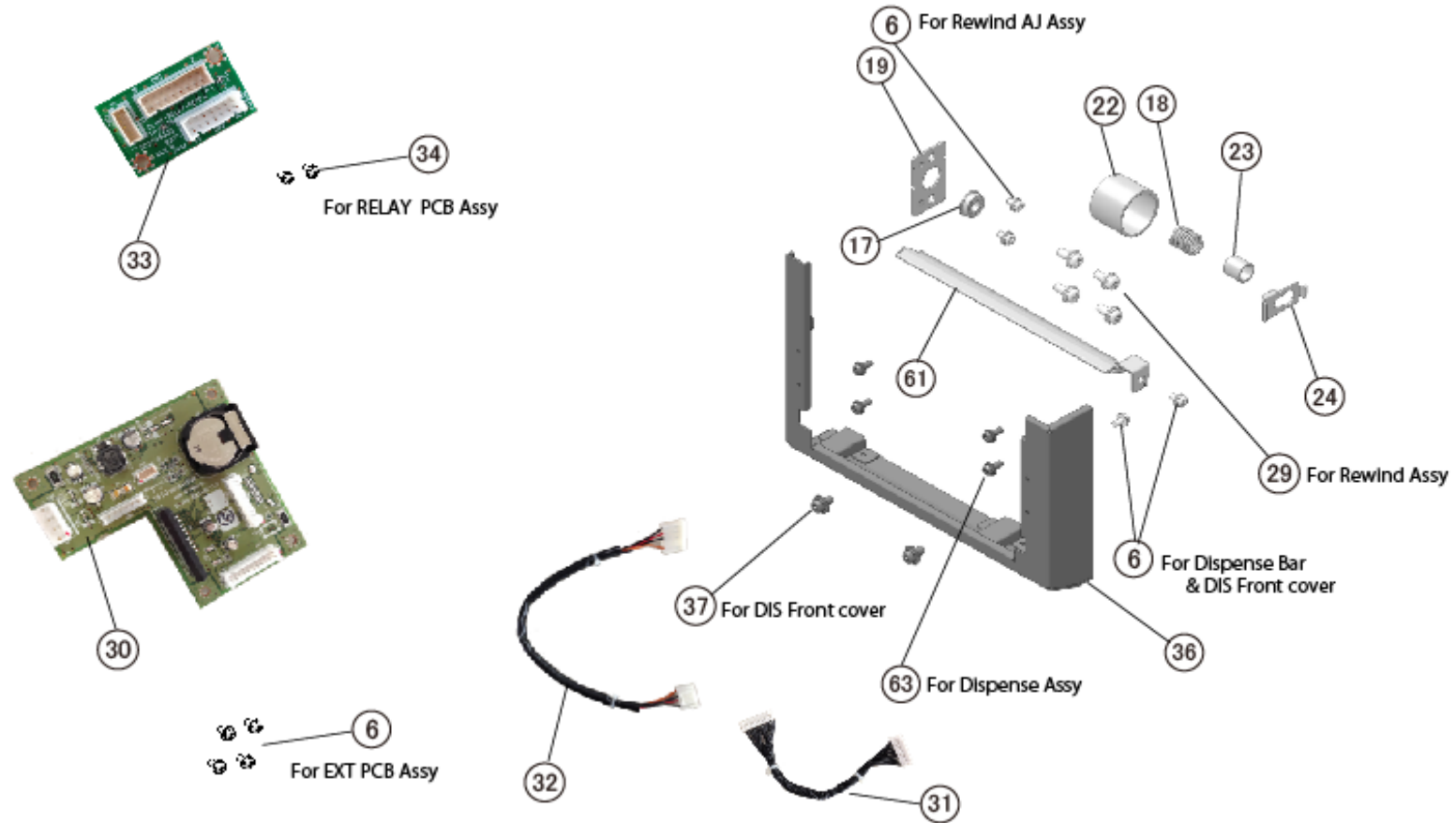




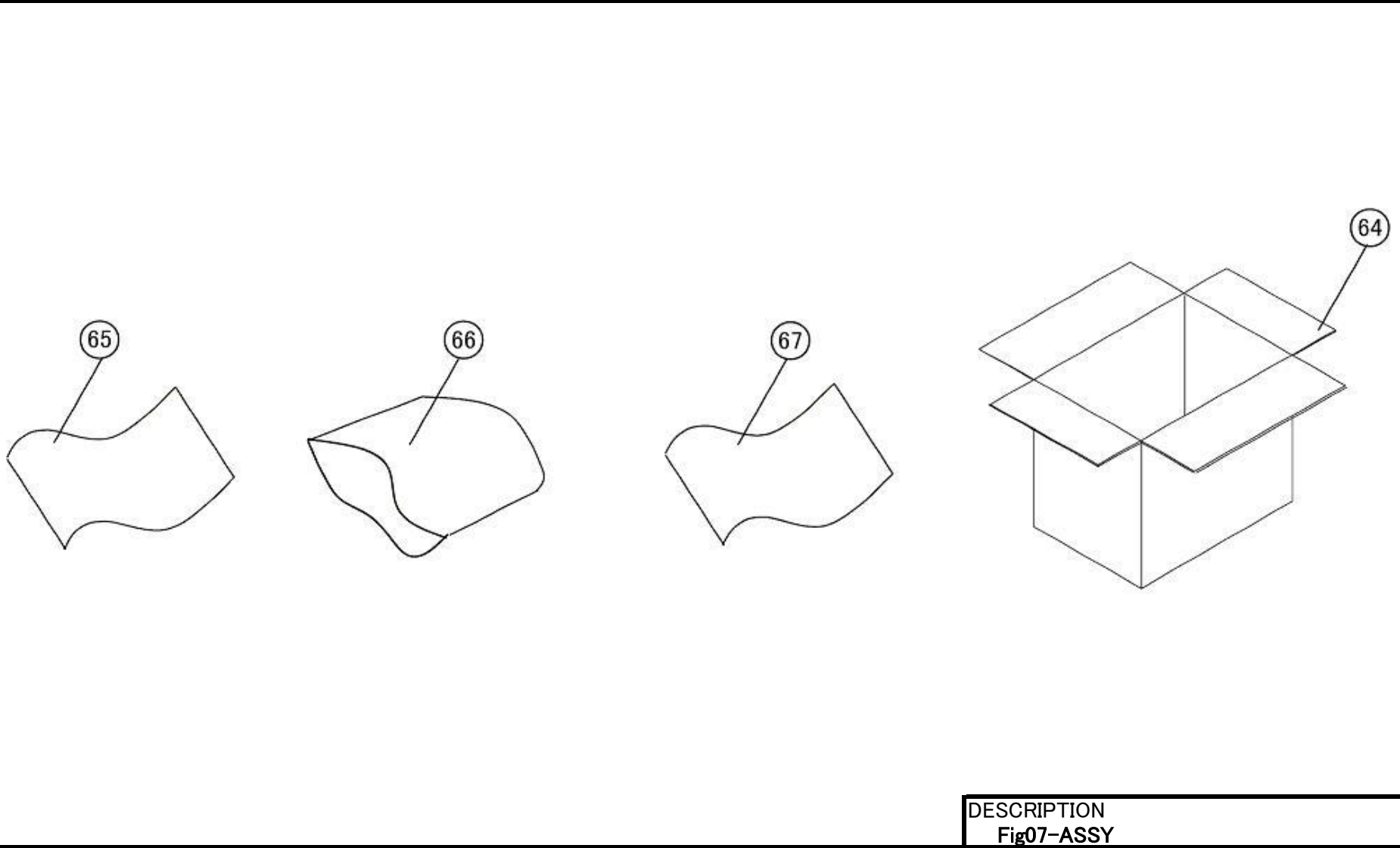




DESCRIPTION  
Fig05-ASSY



DESCRIPTION  
Fig06-ASSY



DESCRIPTION  
Fig07-ASSY



## DISPENSER KIT(CL4NX) SERVICE PARTS LIST

DATE: 23 May, 2014

NO	First_Code	Description	Min Order	NOTE
1	R29515000	REWIND FRAME SET	1	Fig01
2	R29514000	TENSION BR SET(DIS)	1	Fig01
3	P18956010	PULLEY(S2M 24)	1	Fig01
4	ND0040030	E SNAP RING	1	Fig01, 2
5	P55428000	TENSION SP	1	Fig01
6	MD4300622	PAN HEAD SCREW+SW+WL	1	Fig01, 2, 5, 6
7	P54795000	GEAR(0.5*74)	1	Fig02
8	P55425000	SHAFT(BOSS)	1	Fig01
9	MA1300622	FLAT HEAD SCREW	1	Fig01
10	P48833000	TIMING BELT	1	Fig02
11	P55424000	SHAFT(REWIND CORE)	1	Fig01
12	P50308000	BALL BEARING	1	Fig01
13	P48800000	PULLEY(S2M*82)	1	Fig01
14	ND0060030	E RING	1	Fig01
15	P30322000	TORQUE LIMITTER	1	Fig01
16	P11461000	ONEWAY CLUTCH	1	Fig01
17	PT1112060	BALL BEARING	1	Fig06
18	P55429000	REWIND SP	1	Fig06
19	P54778000	REWIND AJ PLATE	1	Fig06
20	P54793000	REWIND CORE	1	Fig02
21	P54794000	REWIND CORE LEVER	1	Fig02
22	P55422000	OILES BEARRING	1	Fig06
23	P04726000	OILES BEARRING	1	Fig06
24	P54784000	RIWIND LOCK PLATE	1	Fig06
25	P54779000	LABEL GUIDE L (RW)	1	Fig02
26	M16221000	BIND HEAD P TIGHT SCREW	1	Fig02
27	P54783000	RW GEAR BR	1	Fig02
28	K00462000	STEPPING MOTOR	1	Fig02
29	MD4401022	PAN HEAD SCREW+SW+WL	1	Fig06
30	R28518001	CL4NX EXT PCB SET -LF	1	Fig06/Recommended Spare parts
31	R28824000	EXT SIGNAL CABLE SET-LF	1	Fig06
32	R28431000	EXT POWER CABLE SET-LF	1	Fig06
33	R29115000	RELAY PCB ASSY-LF	1	Fig06/Recommended Spare parts
34	MD3300622	PAN HEAD SCREW+SW+WS	1	Fig04, 6
35	R29360000	DISPENSER CABLE SET-LF	1	Fig04
36	R29512000	BASE COVER SET(DIS)	1	Fig06
37	MD3401028	PAN HEAD SCREW+SW+WS	1	Fig06
38	R29513000	FRONT COVER SET(DIS)	1	Fig05

## DISPENSER KIT (CL4NX) SERVICE PARTS LIST

DATE: 23 May, 2014

AssyName	ASSY		
39	R29507000	DIS FRAME R SET	1 Fig04
40	R29508000	DIS FRAME L SET	1 Fig04
41	P54769000	NIP ROLLER BR	1 Fig03
42	P24743000	PRESSURE ROLLER	1 Fig03
43	P17470000	OILESS BEARING	1 Fig03, 4
44	ND0050030	E SNAP RING	1 Fig03, 4
45	P55430000	NIP SPRING L	1 Fig03
46	P55431000	NIP SPRING R	1 Fig03
47	P55427000	NIP SPRING SHAFT	1 Fig03
48	P54771000	LOCK LEVER (DIS)	1 Fig03
49	P55433000	ROLLER SHAFT	1 Fig04
50	P11427000	SEAL GUIDE COLLAR	1 Fig04
51	P55448000	SEAL GUIDE COLLAR (22)	1 Fig04
52	ND0020030	E SNAP RING	1 Fig04
53	P55426000	DIS SHAFT A	1 Fig04
54	P55432000	DIS LEVER SP	1 Fig04
55	P54770000	DIS SENSOR BR	1 Fig04
56	F00729000	PHOTO INTERRUPTER -LF	1 Fig04
57	P54792000	DIS LEVER BUTTON	1 Fig03
58	MH0300522	PAN HEAD P TIGHT SCREW	1 Fig03
59	P54766000	DIS REAR FRAME	1 Fig05
60	P54767000	DIS BOTTOM FRAME	1 Fig05
61	P54768000	DIS PLATE	1 Fig06
62	P55423000	INSULATION SHEET	1 Fig04
63	MD4300828	PAN HEAD SCREW+SW+WL	1 Fig06
64	Q04031000	CARTON CASE	1 Fig07
65	Q00126000	AIR PACKING (500*500)	1 Fig07
66	Q02315000	AIR BAG	1 Fig07
67	Q01030000	AIR PACKING SHEET	1 Fig07
68	PT9691300	STEEL BALL	1 Fig03
69	P16869000	SPRING (LOCK)	1 Fig03
70	P48717000	COLLAR	1 Fig03
71	MA2200422	BIND HEAD SCREW	1 Fig03
72	P55878000	NIP ROLLER SHAFT	1 Fig03