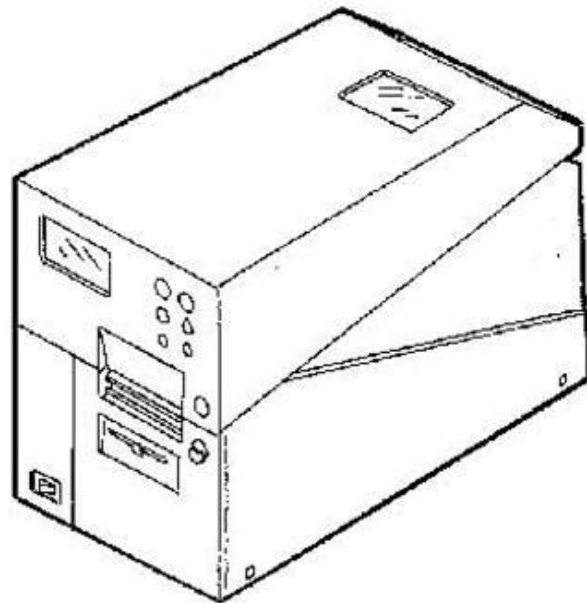


HR2XX SERVICE PARTS LIST

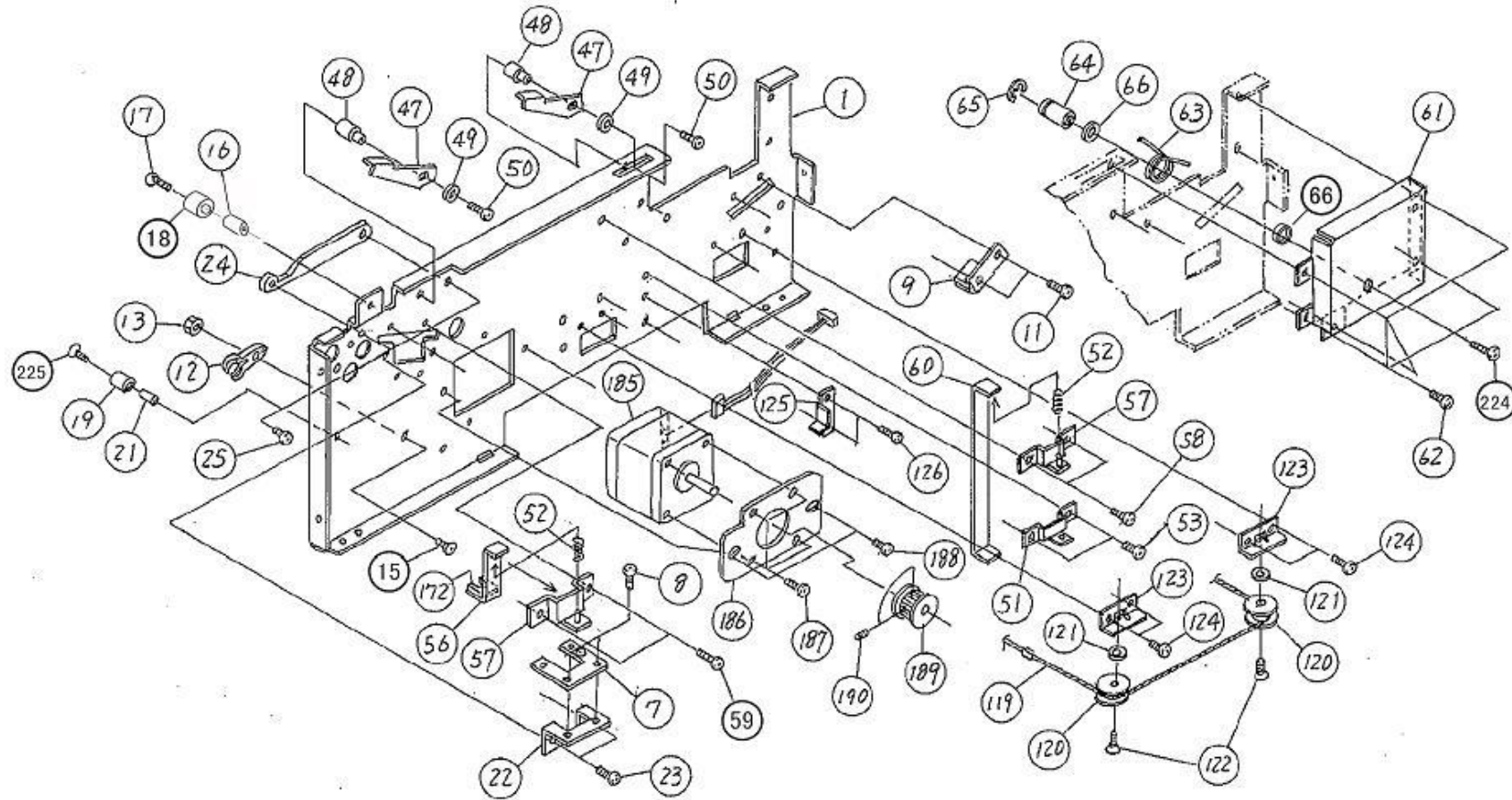


Create Date:

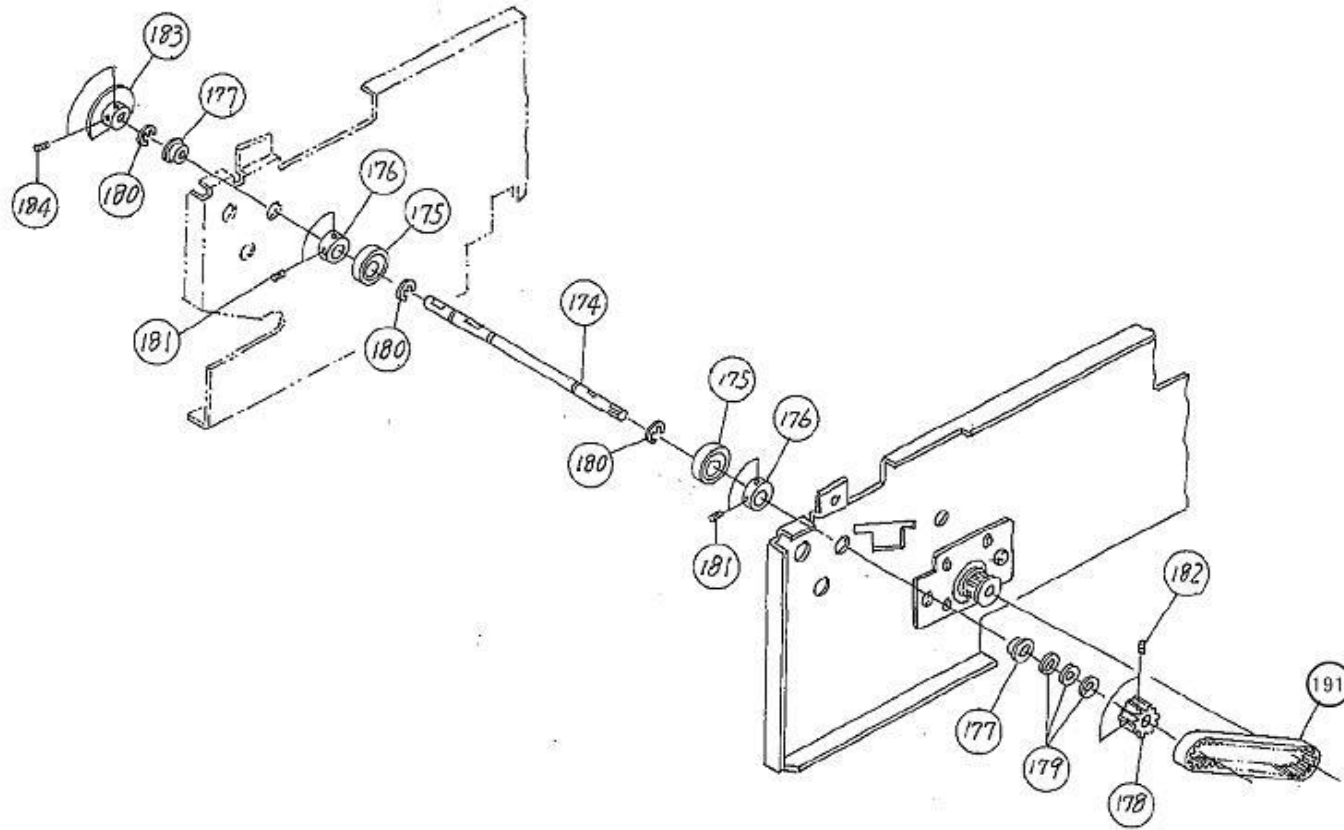
WWHR20002

RV10-491

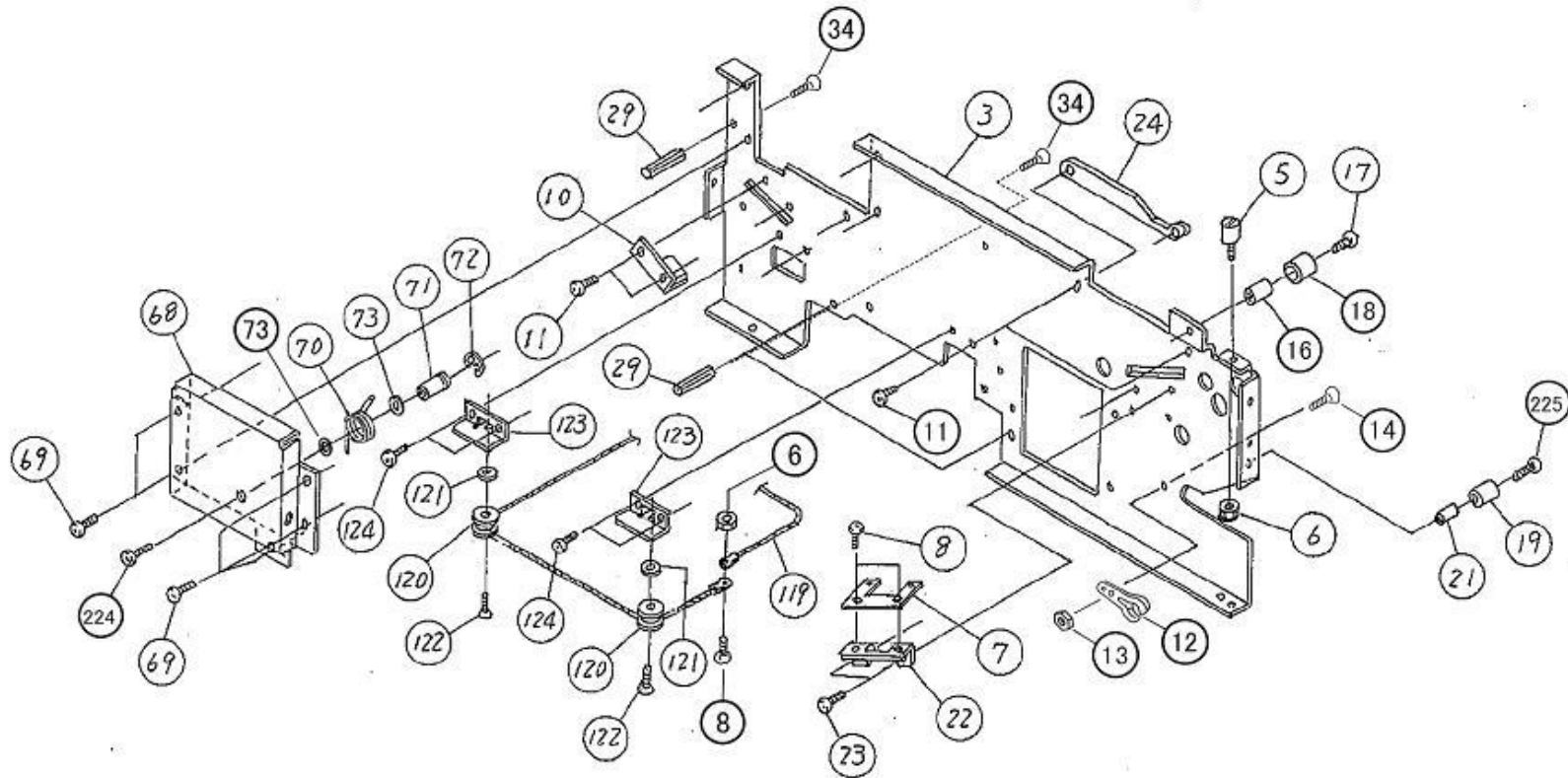
SATO CORPORATION . TOKYO. JAPAN



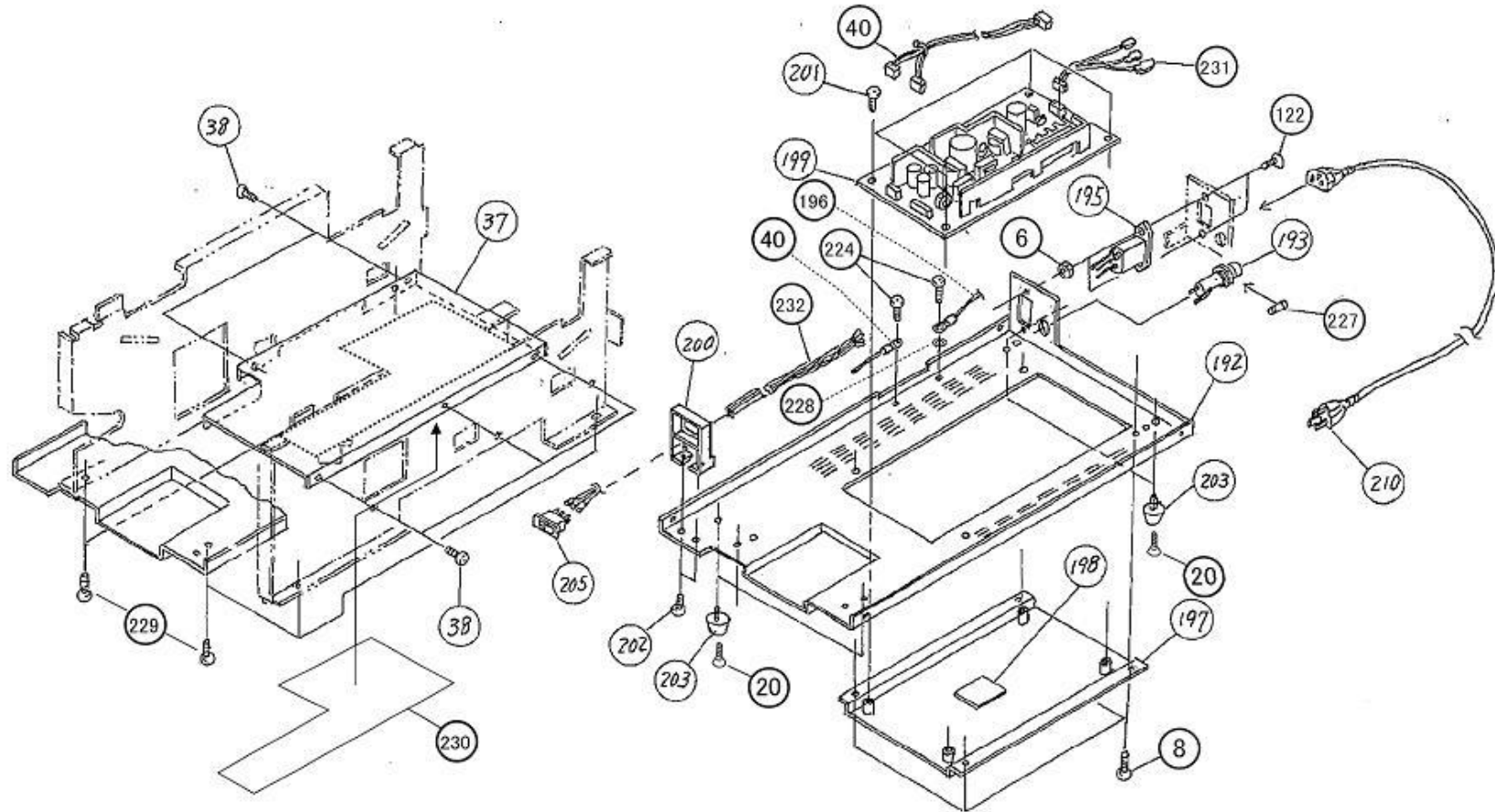
DESCRIPTION
Fig01-FRAME ASSY



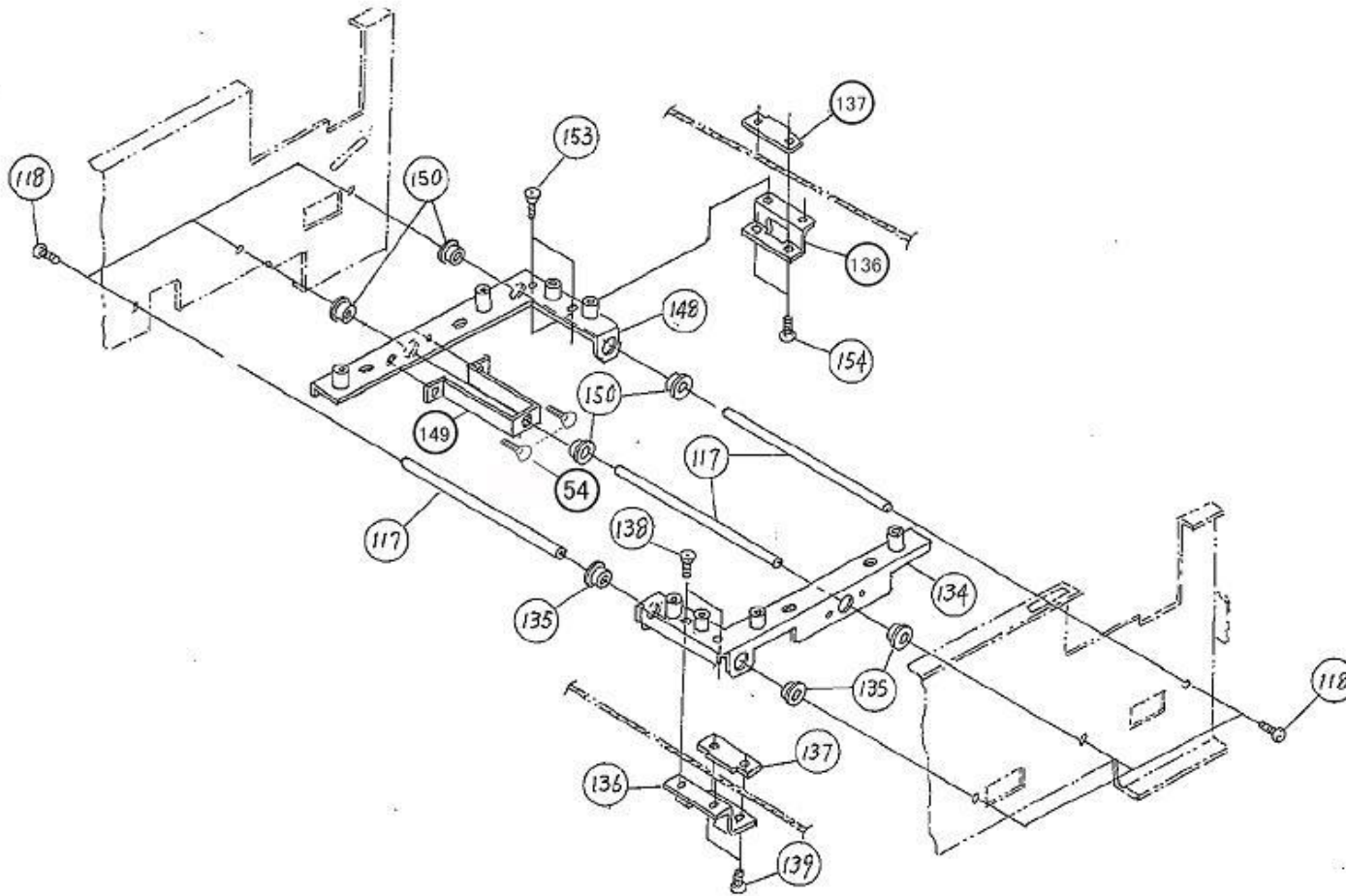
DESCRIPTION
Fig02-FRAME ASSY



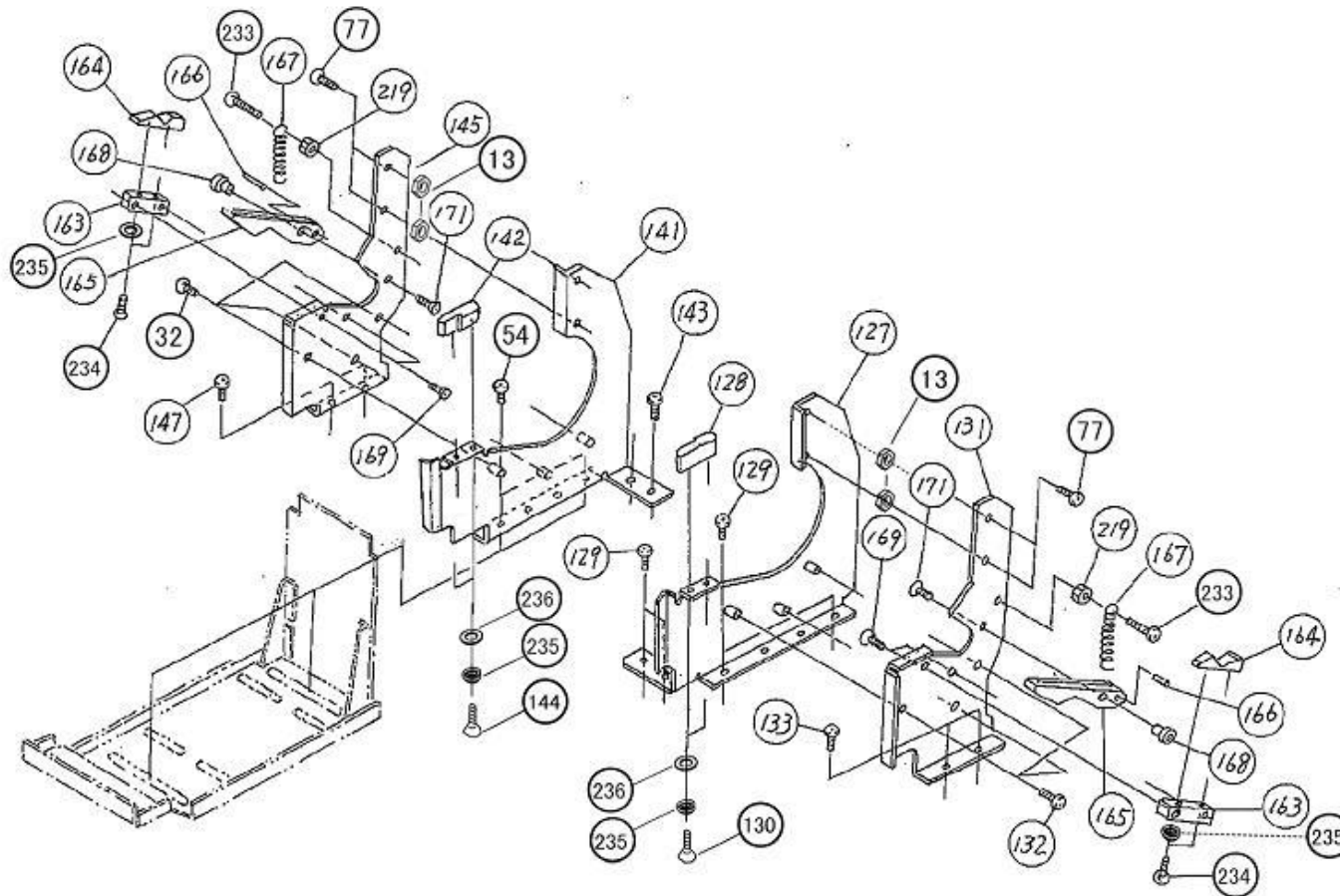
DESCRIPTION
Fig03-FRAME ASSY



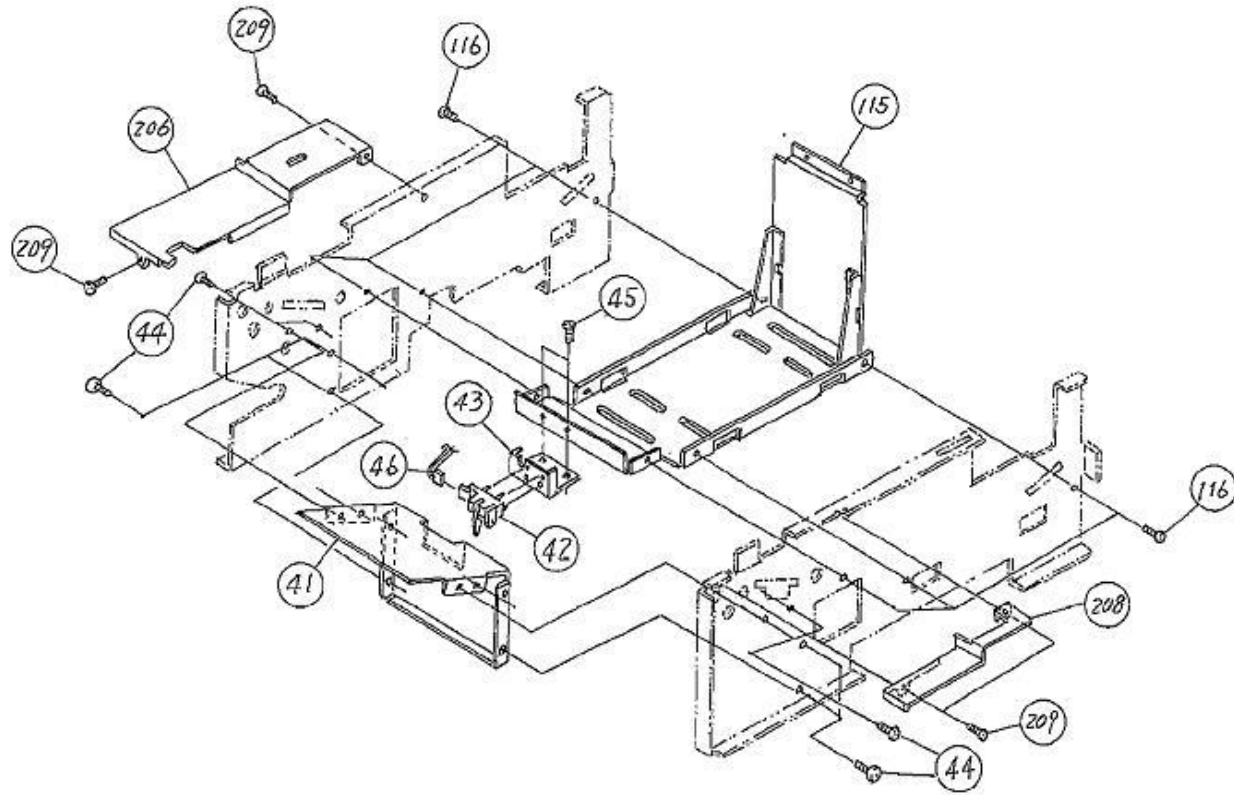
DESCRIPTION
Fig04-FRAME ASSY



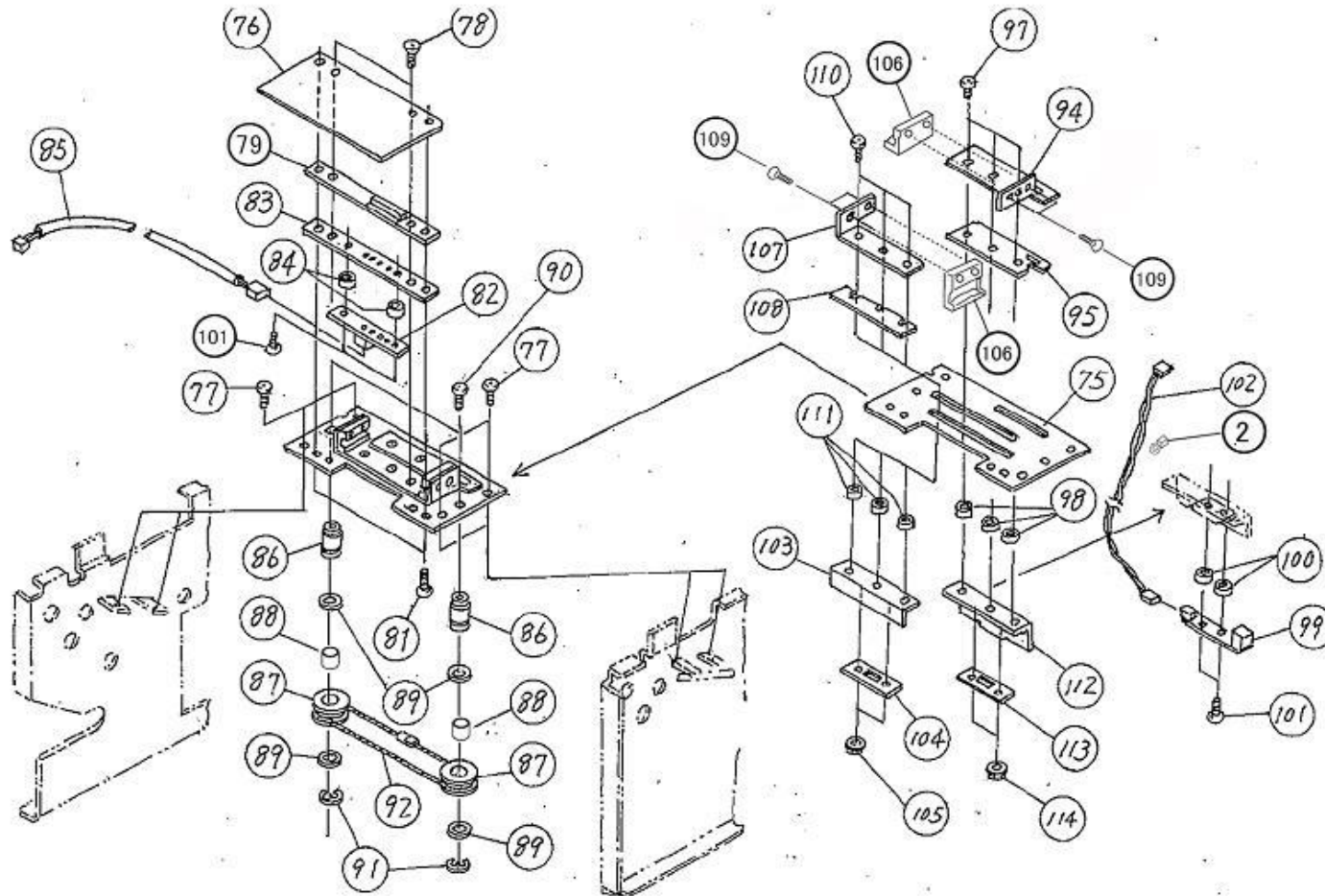
DESCRIPTION
Fig05-FRAME ASSY



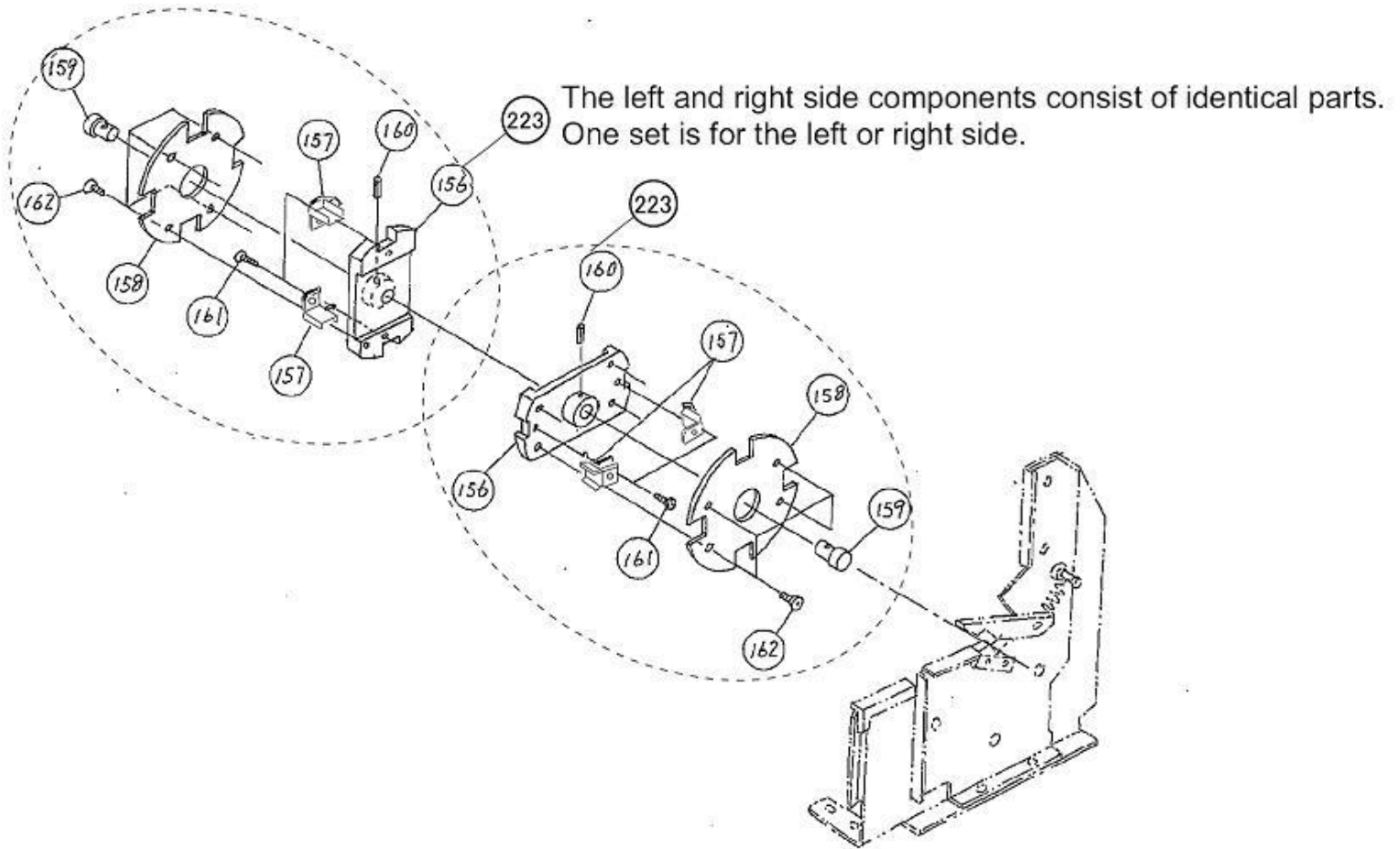
DESCRIPTION
Fig06-FRAME ASSY



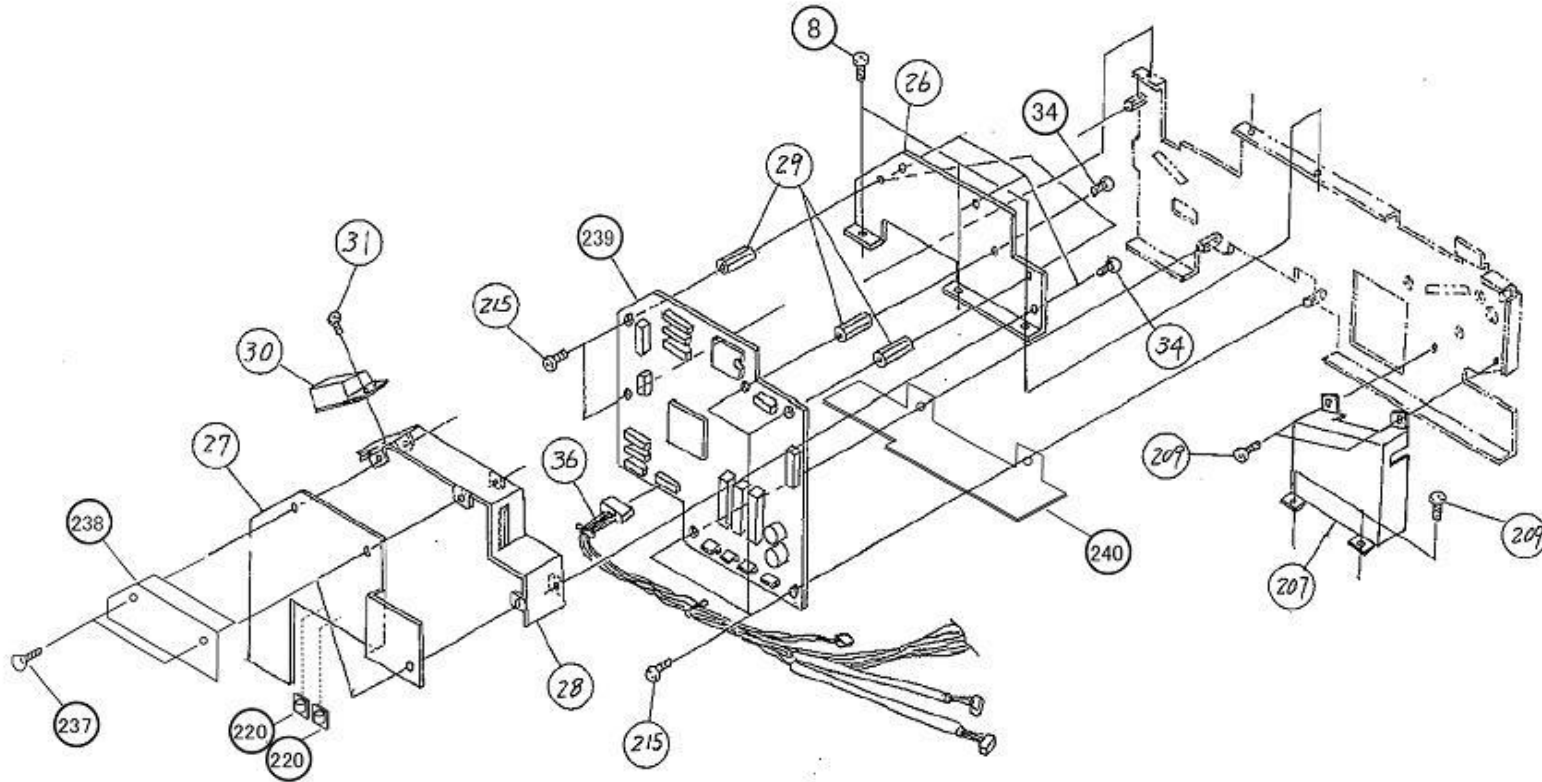
DESCRIPTION
Fig07-FRAME ASSY



DESCRIPTION
Fig08-FRAME ASSY



DESCRIPTION
Fig09-FRAME ASSY



DESCRIPTION
Fig10-FRAME ASSY

HR2XX SERVICE PARTS LIST

DATE: 10 Jun, 2013

AssyName		FRAME ASSY				
NO	First_Code	Parts_No (REV. NO)	Description	Standard	Min Order	NOTE
1	P33877000	P33877000	SIDE FRAME R		1	Fig01
2	JG100011A	JG100011A	TIE WRAP		1	Fig08
3	P33879000	P33879000	SIDE FRAME L		1	Fig03
5	P35135000	P35135000	GUIDE PIN		1	Fig03
6	MU5300522	MU5300522	NUT		1	Fig03
7	P33880000	P33880000	GUIDE BRACKET		1	Fig01, 03
8	MD4300622	MD4300622	PAN HEAD SCREW+SW+WL		1	Fig01, 03, 04, 10
9	P35136010	P35136010	RIBBON FRAME STOPPER R		1	Fig01
10	P35137010	P35137010	RIBBON FRAME STOPPER L		1	Fig03
11	MD4300522	MD4300522	PAN HEAD SCREW+SW+WL		1	Fig01, 03
12	P33842000	P33842000	SHAFT CLIP		1	Fig01, 03
13	MT1300522	MT1300522	HEXAGON NUT		1	Fig01, 03, 06
14	MA1300822	MA1300822	FLAT HEAD SCREW		1	Fig03
15	MD4301022	MD4301022	PAN HEAD SCREW+SW+WL		1	Fig01
16	P34451000	P34451000	STOPPER COLLAR		1	Fig01, 03
17	MD4300822	MD4300822	PAN HEAD SCREW+SW+WL		1	Fig01, 03
18	P35276000	P35276000	WASHER		1	Fig03
19	P35138000	P35138000	COLLAR		1	Fig01, 03
20	MA2300822	MA2300822	BIND HEAD SCREW		1	Fig04
21	P35277000	P35277000	SPACER		1	Fig01, 03
22	P33883000	P33883000	SHEET GUIDE		1	Fig01, 03
23	MD4300522	MD4300522	PAN HEAD SCREW+SW+WL		1	Fig01, 03
24	P33884000	P33884000	GUIDE LEVER		1	Fig01, 03
25	MD3400522	MD3400522	PAN HEAD SCREW+SW+WS		1	Fig01
26	P33891010	P33891010	REAR FRAME		1	Fig10
27	P33895000	P33895000	PCB COVER A		1	Fig10
28	P33896010	P33896010	PCB COVER B		1	Fig10
29	P34452000	P34452000	SPACER		1	Fig03, 10
30	P33897030	P33897030	BLIND COVER		1	Fig10
31	MD4300622	MD4300622	PAN HEAD SCREW+SW+WL		1	Fig10
34	MA1300622	MA1300622	FLAT HEAD SCREW		1	Fig03, 10
36	R15410002	R15410002	SENSOR CABLE SET-LF		1	Fig10
37	P33898000	P33898000	POWER SUPPLY COVER		1	Fig04
38	MD4300522	MD4300522	PAN HEAD SCREW+SW+WL		1	Fig04
40	R15411001	R15411001	POWER CABLE SET-LF		1	Fig04
41	P33901000	P33901000	INNER FRONT COVER		1	Fig07
42	F00484000	F00484000	PHOTO MICRO SENSOR-LF		1	Fig07/Recommended Spare parts
43	P33902000	P33902000	RW SENSOR BR		1	Fig07
44	MD4300522	MD4300522	PAN HEAD SCREW+SW+WL		1	Fig07
45	MD4300522	MD4300522	PAN HEAD SCREW+SW+WL		1	Fig07
46	R15402001	R15402001	WINDING FULL SENSOR CABLE SET-LF		1	Fig07
47	P33903000	P33903000	LABEL GUIDE LEVER		1	Fig01
48	P34453000	P34453000	LEVER SHAFT		1	Fig01
49	P35278000	P35278000	FLAT WASHER		1	Fig01
50	MA2301222	MA2301222	BIND HEAD SCREW		1	Fig01
51	P33904000	P33904000	BRAKE BR		1	Fig01
52	P35279000	P35279000	SPRING		1	Fig01
53	MD4300522	MD4300522	PAN HEAD SCREW+SW+WL		1	Fig01
54	MD4300422	MD4300422	PAN HEAD SCREW+SW+WL		1	Fig06
56	R16020000	R16020000	BRAKE BAR A ASSY		1	Fig01

HR2XX SERVICE PARTS LIST

DATE: 10 Jun, 2013

AssyName		FRAME ASSY				
NO	First_Code	Parts_No (REV. NO)	Description	Standard	Min Order	NOTE
57	R16018000	R16018000	BRAKE BR ASSY		1	Fig01
58	MD4300522	MD4300522	PAN HEAD SCREW+SW+WL		1	Fig01
59	MD4300422	MD4300422	PAN HEAD SCREW+SW+WL		1	Fig01
60	R16021000	R16021000	BRAKE BAR B ASSY		1	Fig01
61	P33907010	P33907010	SHAFT BR R		1	Fig01
62	MD4300522	MD4300522	PAN HEAD SCREW+SW+WL		1	Fig01
63	P34440000	P34440000	DAMPER SPRING R		1	Fig01
64	P34454010	P34454010	HINGE SHAFT		1	Fig01
65	ND0080030	ND0080030	E-SNAP RING		1	Fig01
66	P35281000	P35281000	POLY SLIDER		1	Fig01
68	P33908010	P33908010	SHAFT BR L		1	Fig03
69	MD4300522	MD4300522	PAN HEAD SCREW+SW+WL		1	Fig03
70	P34439000	P34439000	DAMPER SPRING L		1	Fig03
71	P34454010	P34454010	HINGE SHAFT		1	Fig03
72	ND0080030	ND0080030	E-SNAP RING		1	Fig03
73	P35281000	P35281000	POLY SLIDER		1	Fig03
75	P33914000	P33914000	GUIDE PLATE A		1	Fig08
76	P33915010	P33915010	GUIDE PLATE B		1	Fig08
77	MA2300622	MA2300622	BIND HEAD SCREW		1	Fig06, 08
78	MA1250622	MA1250622	FLAT HEAD SCREW		1	Fig08
79	R15835010	R15835010	GAP SENSOR COVER SILK		1	Fig08
81	M16251000	MA2200522	BIND HEAD SCREW		1	Fig08
82	R15376000	R15376000	GAP (2) SENSOR PCB SET-LF		1	Fig08/Recommended Spare parts
83	P33916010	P33916010	GAP SENSOR BR		1	Fig08
84	P35282000	P35282000	COLLAR		1	Fig08
85	R16272000	R16272000	GAP SENSOR-2 RELAY CABLE SET-LF		1	Fig08
86	P34474000	P34474000	WIRE PULLEY SHAFT		1	Fig08
87	P34475000	P34475000	WIRE PULLEY		1	Fig08
88	P35283000	P35283000	OILES BUSH		1	Fig08
89	P35284000	P35284000	POLY SLIDER WASHER		1	Fig08
90	MD4300622	MD4300622	PAN HEAD SCREW+SW+WL		1	Fig08
91	ND0040030	ND0040030	E SNAP RING		1	Fig08
92	P35560000	P35560000	GUIDE WIRE		1	Fig08
94	P33918000	P33918000	LABEL GUIDE L		1	Fig08
95	P35191000	P35191000	SLIDE TAPE L		1	Fig08
97	MA1200522	MA1200522	FLAT HEAD SCREW		1	Fig08
98	PT6690100	PT6690100	DURACON SPACER		1	Fig08
99	R15374000	R15374000	IM SENSOR PCB SET-LF		1	Fig08/Recommended Spare parts
100	P35282000	P35282000	COLLAR		1	Fig08
101	MA2200622	MA2200622	BIND HEAD SCREW		1	Fig08
102	R16271000	R16271000	IM RELAY CABLE SET-LF		1	Fig08
103	R15836000	R15836000	LABEL GUIDE BASE L ASSY		1	Fig08
104	P33920000	P33920000	WIRE CRAMP C		1	Fig08
105	MU5300522	MU5300522	NUT		1	Fig08
106	P33844000	P33844000	LABEL GUIDE		1	Fig08
107	P33922000	P33922000	LABEL GUIDE R		1	Fig08
108	P35192000	P35192000	SLIDE TAPE R		1	Fig08
109	MH1200422	MH1200422	FLAT HEAD P TIGHT SCREW		1	Fig08
110	MA1200522	MA1200522	FLAT HEAD SCREW		1	Fig08
111	PT6690100	PT6690100	DURACON SPACER		1	Fig08

HR2XX SERVICE PARTS LIST

DATE: 10 Jun, 2013

AssyName		FRAME ASSY				
NO	First_Code	Parts_No (REV. NO)	Description	Standard	Min Order	NOTE
112	R15837000	R15837000	LABEL GUIDE BASE R ASSY		1	Fig08
113	P33920000	P33920000	WIRE CRAMP C		1	Fig08
114	MU5300522	MU5300522	NUT		1	Fig08
115	R15838010	R15838010	CENTER FRAME(B) ASSY		1	Fig07
116	MD4300522	MD4300522	PAN HEAD SCREW+SW+WL		1	Fig07
117	P34489000	P34489000	ROLL GUIDE SHAFT		1	Fig05
118	MD4300822	MD4300822	PAN HEAD SCREW+SW+WL		1	Fig05
119	P35371000	P35371000	WIRE ROPE ASSEMBLY		1	Fig01, 03
120	P35375000	P35375000	D-SERIES BEARING		1	Fig01, 03
121	P35285000	P35285000	FLAT WASHER		1	Fig01, 03
122	MA1301022	MA1301022	FLAT HEAD SCREW		1	Fig01, 03
123	P33944000	P33944000	WIRE PULLY BR		1	Fig01, 03
124	MD4300622	MD4300622	PAN HEAD SCREW+SW+WL		1	Fig01, 03
125	P33964000	P33964000	FIX BASE		1	Fig01
126	MD4300422	MD4300422	PAN HEAD SCREW+SW+WL		1	Fig01
127	R15839001	R15839001	ROLL SIDE R ASSY		1	Fig06
128	P33845000	P33845000	ROLL GUIDE LEVER R		1	Fig06
129	MD4300622	MD4300622	PAN HEAD SCREW+SW+WL		1	Fig06
130	MH0300822	MH0300822	PAN HEAD P TIGHT SCREW		1	Fig06
131	P33946001	P33946001	SUPPORT PLATE R		1	Fig06
132	MA2300429	MA2300422	BIND HEAD SCREW		1	Fig06
133	MD4300422	MD4300422	PAN HEAD SCREW+SW+WL		1	Fig06
134	R15840001	R15840001	GUIDE CARRIAGE R ASSY		1	Fig05
135	P35286000	P35286000	OILES BUSH		1	Fig05
136	P33953011	P33953011	WIRE CRAMP A		1	Fig05
137	P33954000	P33954000	WIRE CRAMP B		1	Fig05
138	MA1300422	MA1300422	FLAT HEAD SCREW		1	Fig05
139	MA2300522	MA2300522	BIND HEAD SCREW		1	Fig05
141	R15896001	R15896001	ROLL SIDE L ASSY		1	Fig06
142	P33847000	P33847000	ROLL GUIDE LEVER L		1	Fig06
143	MD4300622	MD4300622	PAN HEAD SCREW+SW+WL		1	Fig06
145	P33957001	P33957001	SUPPORT PLATE L		1	Fig06
147	MD4300422	MD4300422	PAN HEAD SCREW+SW+WL		1	Fig06
148	R15947000	R15947000	GUIDE CARRIAGE L ASSY		1	Fig05
149	P33962000	P33962000	BEARING BR		1	Fig05
150	P35286000	P35286000	OILES BUSH		1	Fig05
153	MA1300422	MA1300422	FLAT HEAD SCREW		1	Fig05
154	MA2300522	MA2300522	BIND HEAD SCREW		1	Fig05
156	P33848000	P33848000	ROLL CORE		1	Fig09
157	P33963010	P33963010	CORE SPRING		1	Fig09
158	P34476000	P34476000	HOLDER PLATE		1	Fig09
159	P34477000	P34477000	HOLDER SHAFT		1	Fig09
160	P35288000	P35288000	SPRING PIN		1	Fig09
161	MH0300822	MH0300822	PAN HEAD P TIGHT SCREW		1	Fig09
162	MH1300822	MH1300822	FLAT HEAD P TIGHT SCREW		1	Fig09
163	P35527000	P35527000	BRAKE PAD BR		1	Fig06
164	P33849000	P33849000	BRAKE PAD (B)		1	Fig06
165	P33850000	P33850000	BRAKE PAD (T)		1	Fig06
166	P35287000	P35287000	SPRING PIN		1	Fig06
167	P35289000	P35289000	SPRING		1	Fig06

HR2XX SERVICE PARTS LIST

DATE: 10 Jun, 2013

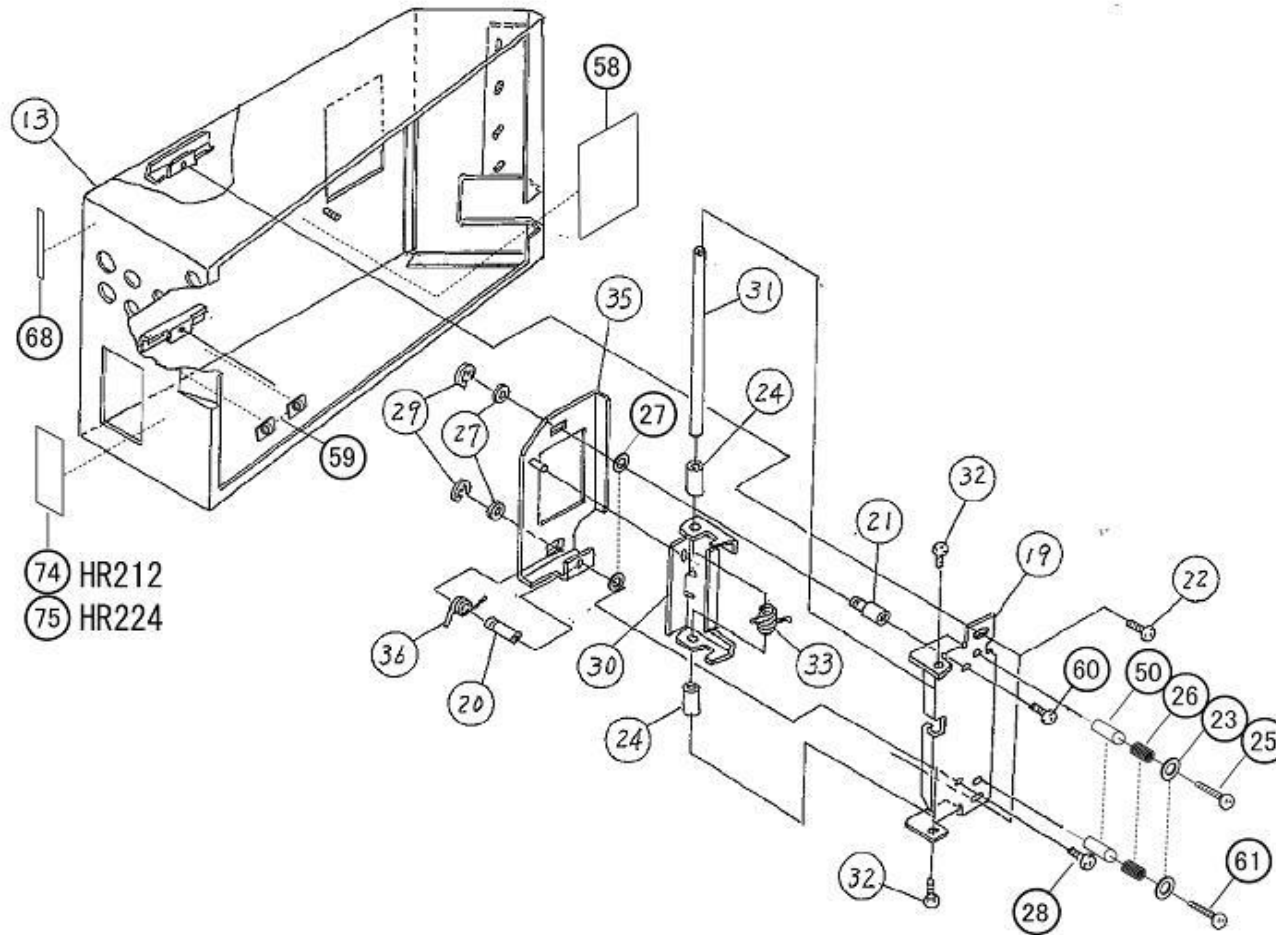
AssyName		FRAME ASSY				
NO	First_Code	Parts_No (REV. NO)	Description	Standard	Min Order	NOTE
168	P34478000	P34478000	BRAKE HINGE		1	Fig06
169	MA1300622	MA1300622	FLAT HEAD SCREW		1	Fig06
171	MA1300622	MA1300622	FLAT HEAD SCREW		1	Fig06
172	P35251000	P35251000	BRAKE PAD		1	Fig01
174	P34479010	P34479010	HEAD LIFT SHAFT		1	Fig02
175	P35290000	P35290000	BEARING		1	Fig02
176	P34480000	P34480000	CAM		1	Fig02
177	PT1112060	PT1112060	BALL SUPPORTER		1	Fig02
178	P35967000	P35967000	LIFT PULLEY		1	Fig02
179	P35292000	P35292000	WASHER		1	Fig02
180	ND0050030	ND0050030	E SNAP RING		1	Fig02
181	MJ1300424	MJ1300422	HEX SOCKET SET SCREW(W-POINT)		1	Fig02
182	MJ1300324	MJ1300330	W-POINT SCREW		1	Fig02
183	R15872000	R15872000	SENSOR BOSS ASSY		1	Fig02
184	MJ1300424	MJ1300422	HEX SOCKET SET SCREW(W-POINT)		1	Fig02
185	K00312000	K00312000	STEPPING MOTOR(LIFT)		1	Fig01/Recommended Spare parts
186	P33972000	P33972000	MOTOR BR		1	Fig01
187	MD4300622	MD4300622	PAN HEAD SCREW+SW+WL		1	Fig01
188	MD4300622	MD4300622	PAN HEAD SCREW+SW+WL		1	Fig01
189	R15268000	R15268000	LIFT MOTOR PLY ASSY		1	Fig01
190	MJ1300324	MJ1300330	W-POINT SCREW		1	Fig01
191	P34393000	P34393000	TIMING BELT(262)		1	Fig02/Recommended Spare parts
192	R15875010	R15875010	BASE PLATE ASSY		1	Fig04
193	H02021000	H02021000	Fuse holder -LF		1	Fig04
195	H02022000	H02022000	Noise filter -LF		1	Fig04
196	R15395000	R15395000	AC CABLE SET5 -LF		1	Fig04
197	R15876000	R15876000	POWER BASE ASSY		1	Fig04
198	P35663000	P35663000	HEAT CONDUCTING PAD		1	Fig04
199	K00309000	K00309000	POWER SUPPLY -LF		1	Fig04/Recommended Spare parts
200	P34096000	P34096000	POWER SWITCH BR		1	Fig04
201	MD4300622	MD4300622	PAN HEAD SCREW+SW+WL		1	Fig04
202	MD4300622	MD4300622	PAN HEAD SCREW+SW+WL		1	Fig04
203	P35295000	P35295000	PLA FOOT		1	Fig04
205	G00297000	G00297000	ROCKER SWITCH-LF		1	Fig04
206	P34097000	P34097000	INNER COVER L1		1	Fig07
207	P34098000	P34098000	INNER COVER L2		1	Fig10
208	P34099000	P34099000	INNER COVER R		1	Fig07
209	MD4300422	MD4300422	PAN HEAD SCREW+SW+WL		1	Fig07, 10
210	R15393001	R15393001	AC CABLE SET3 -LF		1	Fig04
215	MD4300622	MD4300622	PAN HEAD SCREW+SW+WL		1	Fig10
219	MT1300522	MT1300522	HEXAGON NUT		1	Fig06
223	R16369000	R16369000	ROLL CORE SA		1	Fig09
224	MD4400822	MD4400822	PAN HEAD SCREW+SW+WL		1	Fig01, 03, 04
225	MA2301022	MA2301022	BIND HEAD SCREW		1	Fig01
227	HD100491A	H01112000	FUSE(250V/5A) -LF		1	Fig04
228	NB2040022	NB2040022	TOOTHED LOCK WASHER		1	Fig04
229	MA2400622	MA2400622	BIND HEAD SCREW		1	Fig04
230	P39345000	P39345000	PROTECT SHEET_PS		1	Fig04
231	R15391002	R15391002	AC CABLE SET-LF		1	Fig04
232	R15393002	R15393002	AC CABLE SET3 -LF		1	Fig04

HR2XX SERVICE PARTS LIST

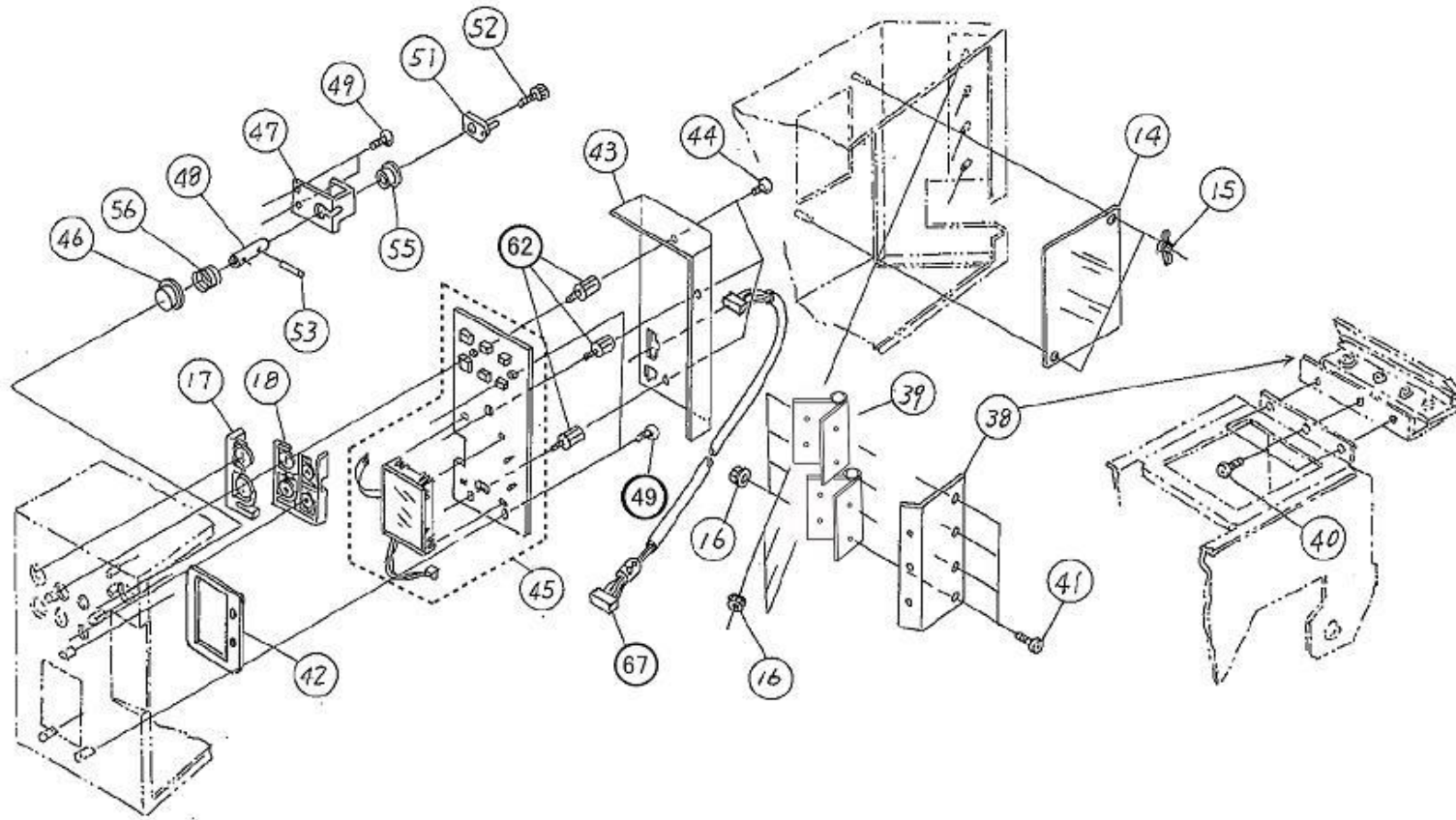
DATE: 10 Jun, 2013

AssyName FRAME ASSY

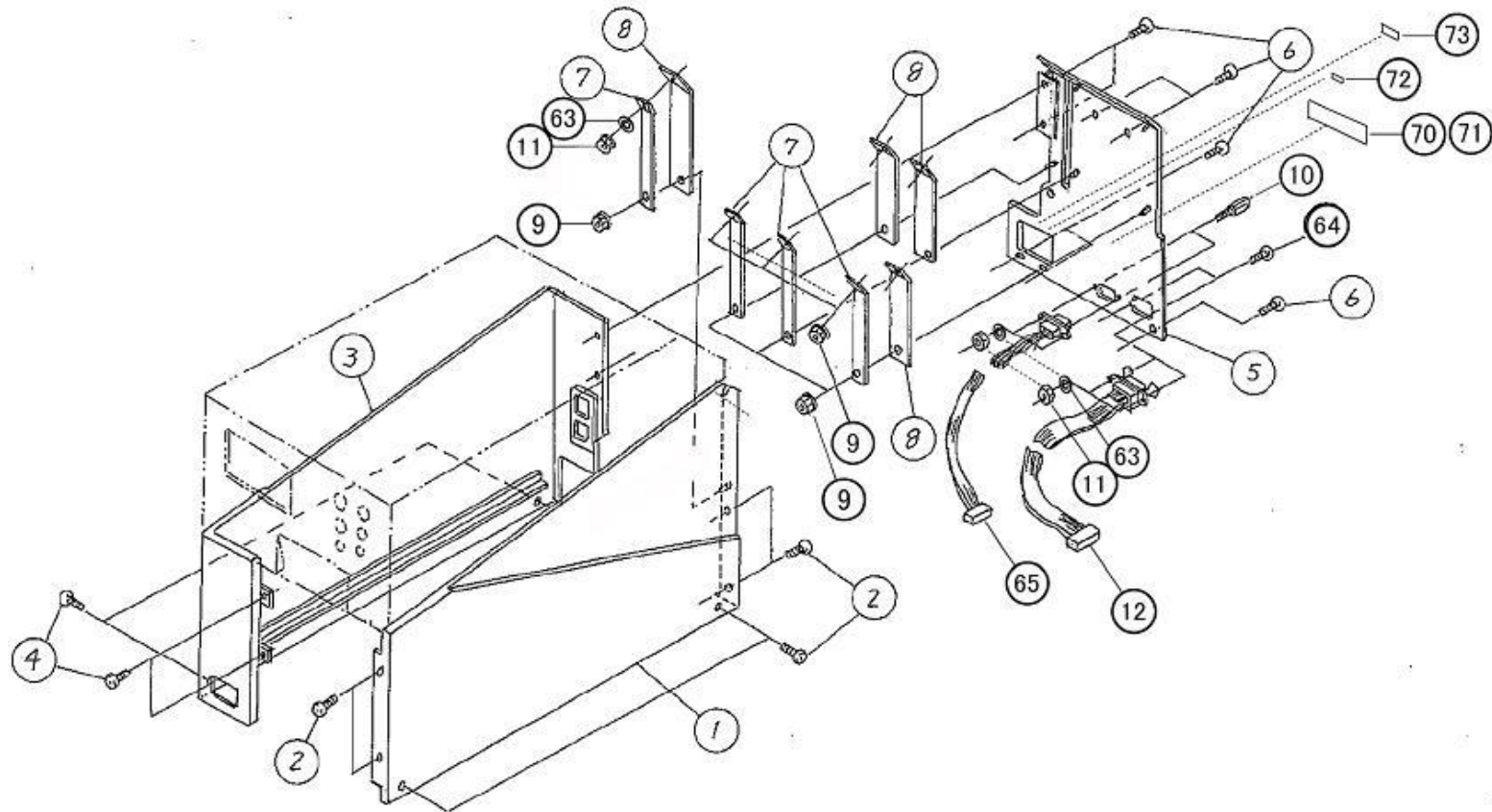
NO	First_Code	Parts_No (REV. NO)	Description	Standard	Min Order	NOTE
233	MA0300822	MA0300822	PAN HEAD SCREW		1	Fig06
234	MH0301622	MH0301622	PAN HEAD P TIGHT SCREW		1	Fig06
235	NB0030022	NB0030022	SPRING WASHER		1	Fig06
236	NA1003022	NA1003022	PLAIN WASHER		1	Fig06
237	MA7300625	MA7300628	TRUSS SCREW		1	Fig10
238	P36744000	P36744000	PROTECT SHEET		1	Fig10
239	R17858000	R17858000	CONT PCB ASSY-HR-LF		1	Fig10/Recommended Spare parts
240	R17764000	R17764000	PROTECT SHEET_PCB SET		1	Fig10



DESCRIPTION
Fig01-COVER ASSY



DESCRIPTION
Fig02-COVER ASSY



DESCRIPTION
Fig03-COVER ASSY

HR2XX SERVICE PARTS LIST

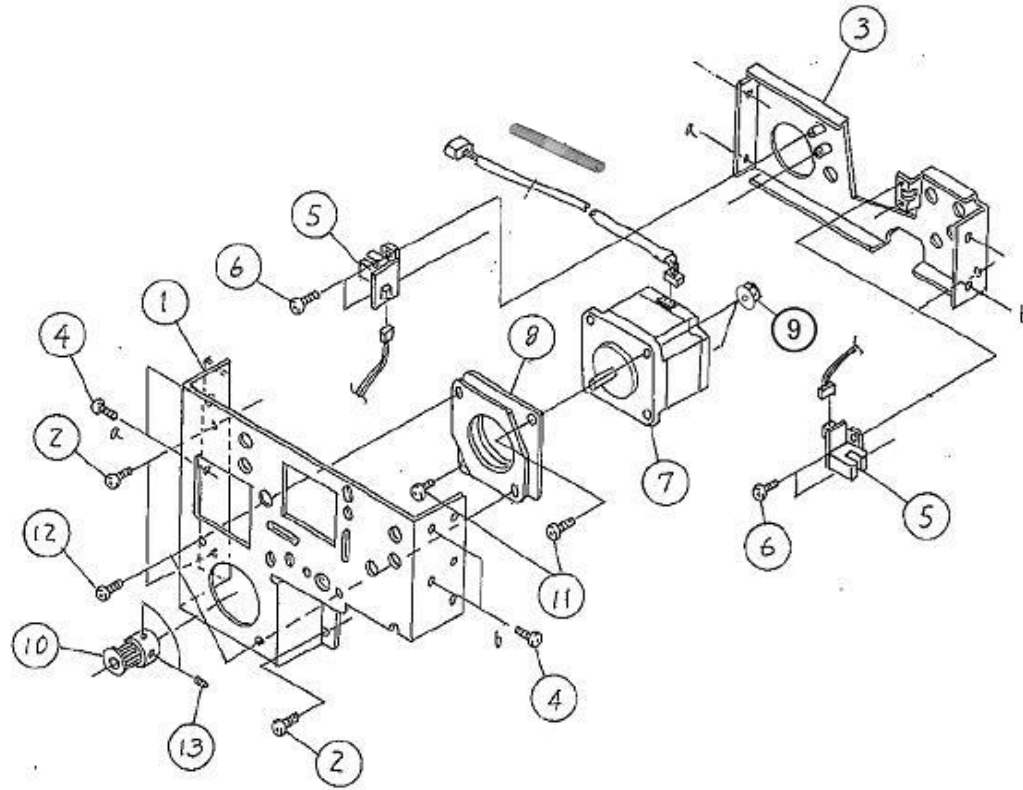
DATE: 10 Jun, 2013

AssyName		COVER ASSY				
NO	First_Code	Parts_No (REV. NO)	Description	Standard	Min Order	NOTE
1	R15542000	R15542000	COVER R ASSY		1	Fig03
2	MA2300429	MA2300422	BIND HEAD SCREW		1	Fig03
3	R15887010	R15887010	COVER L (SILK)		1	Fig03
4	MA2300429	MA2300422	BIND HEAD SCREW		1	Fig03
5	R15543000	R15543000	REAR COVER ASSY		1	Fig03
6	MA2300429	MA2300422	BIND HEAD SCREW		1	Fig03
7	P34078000	P34078000	RUBBER STOPPER		1	Fig03
8	P35579000	P35579000	SHIELD RUBBER		1	Fig03
9	MU5300522	MU5300522	NUT		1	Fig03
10	H02047000	H02047000	JACK SOCKET-LF		1	Fig03
11	MT1300522	MT1300522	HEXAGON NUT		1	Fig03
12	R15400002	R15400002	EXT CABLE SET-LF		1	Fig03
13	R15815001	R15815001	TOP COVER SILK		1	Fig01
14	P35258000	P35258000	TOP WINDOW		1	Fig02
15	MV9300522	MV9300522	WING NUT		1	Fig02
16	MU5400522	MU5400522	NUT		1	Fig02
17	P33856010	P33856010	FEED LINE KEY		1	Fig02
18	P33857000	P33857000	ARROW KEY		1	Fig02
19	P34085000	P34085000	LOCK HOOK BR		1	Fig01
20	P35213000	P35213000	LEVER FULCRUM SHAFT		1	Fig01
21	P35214000	P35214000	GUIDE LEVER SHAFT		1	Fig01
22	MD4400622	MD4400622	PAN HEAD SCREW+SW+WL		1	Fig01
23	P34086000	P34086000	COVER OPEN WASHER		1	Fig01
24	P35332000	P35332000	WIND BUSH		1	Fig01
25	MD4301522	MD4301522	PAN HEAD SCREW+SW+WL		1	Fig01
26	P35297002	P35297002	SPRING		1	Fig01
27	P35284000	P35284000	POLY SLIDER WASHER		1	Fig01
28	MD4300622	MD4300622	PAN HEAD SCREW+SW+WL		1	Fig01
29	ND0050030	ND0050030	E SNAP RING		1	Fig01
30	P34087010	P34087010	COVER LOCK HOOK		1	Fig01
31	P35215000	P35215000	LOCK HOOK SHAFT		1	Fig01
32	MD4300622	MD4300622	PAN HEAD SCREW+SW+WL		1	Fig01
33	P34445000	P34445000	LOCK HOOK SPRING		1	Fig01
35	R15902000	R15902000	COVER OPEN GUIDE ASSY		1	Fig01
36	P34446000	P34446000	GUIDE LEVER SPRING		1	Fig01
38	P34089000	P34089000	HINGE BR		1	Fig02
39	P35298000	P35298000	FREE STOP HINGE		1	Fig02
40	MD4300622	MD4300622	PAN HEAD SCREW+SW+WL		1	Fig02
41	MD4401022	MD4401022	PAN HEAD SCREW+SW+WL		1	Fig02
42	P35218000	P35218000	KB WINDOW		1	Fig02
43	P34090000	P34090000	KB PCB COVER		1	Fig02
44	MD4300622	MD4300622	PAN HEAD SCREW+SW+WL		1	Fig02
45	R15356000	R15356001	KB PCB SET-LF		1	Fig02/Recommended Spare parts
46	P33874000	P33874000	OPEN BUTTON		1	Fig02
47	P34091000	P34091000	OPEN BUTTON BR		1	Fig02
48	P35219000	P35219000	BUTTON ROD		1	Fig02
49	MD3300622	MD3300622	PAN HEAD SCREW+SW+WS		1	Fig02
50	P35296000	P35296000	SPACER		1	Fig01
51	R15900010	R15900010	PUSH PLATE ASSY		1	Fig02
52	MN1300622	MN1300622	HEX SOCKET CAP SCREW		1	Fig02

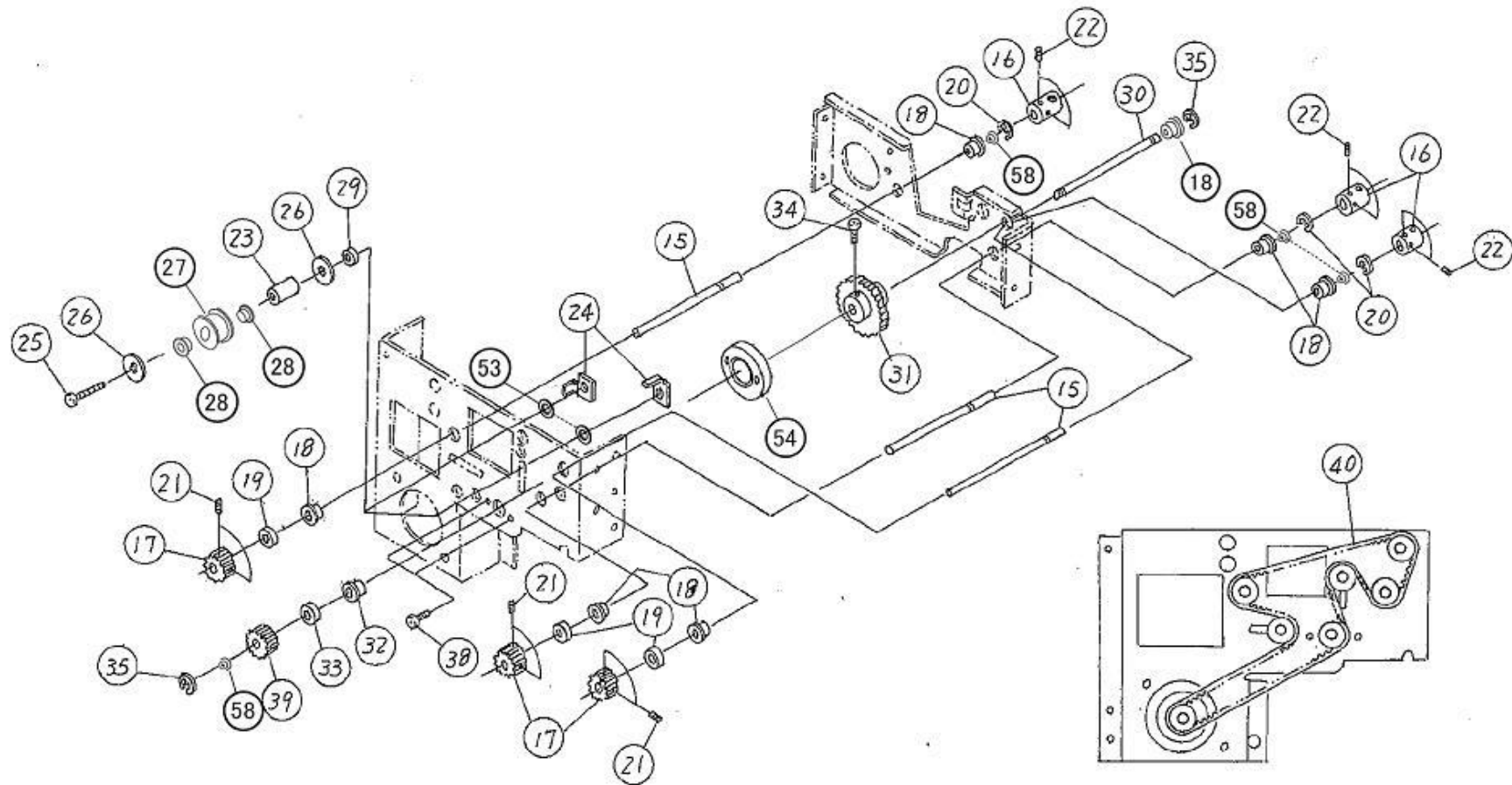
HR2XX SERVICE PARTS LIST

DATE: 10 Jun, 2013

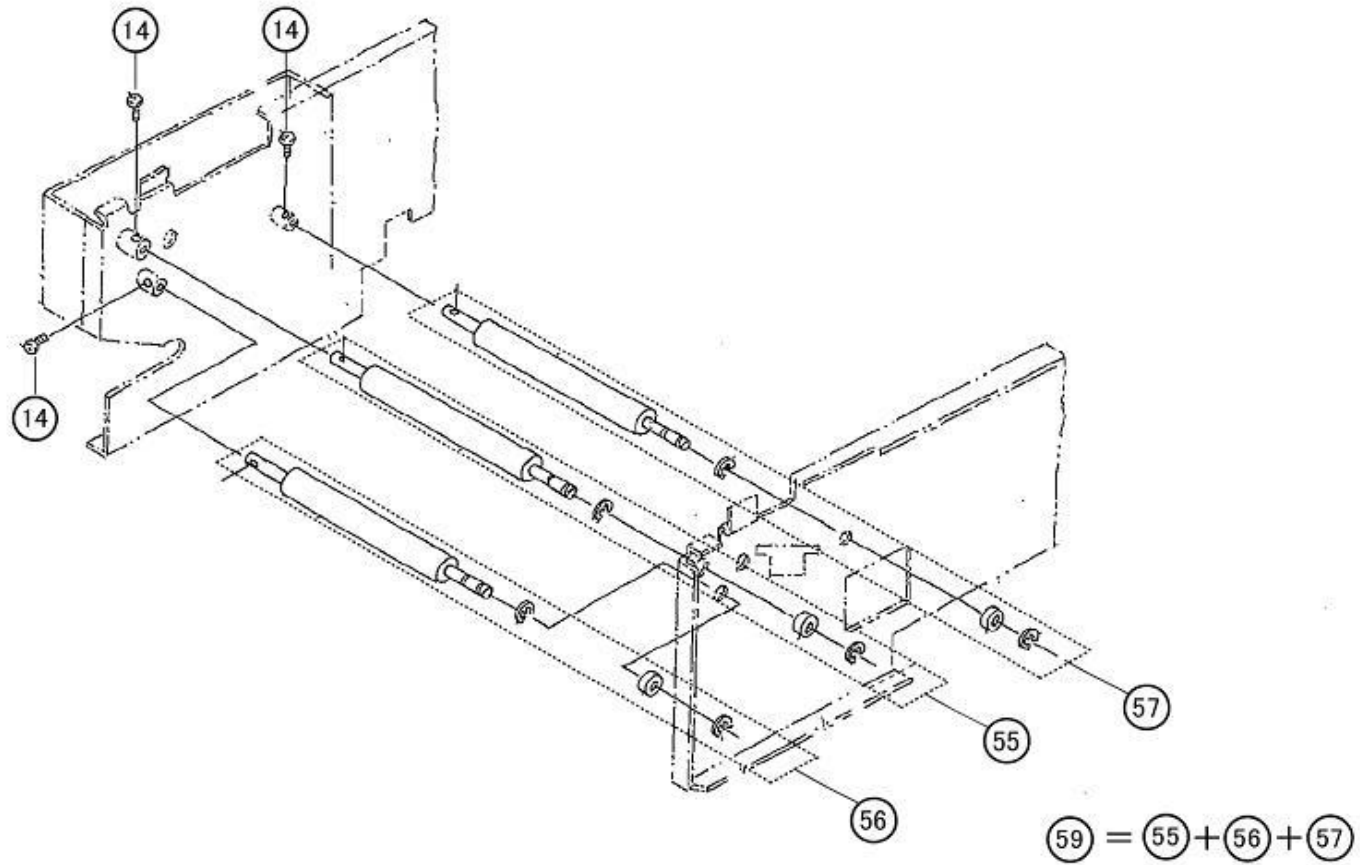
AssyName		COVER ASSY				
NO	First_Code	Parts_No (REV. NO)	Description	Standard	Min Order	NOTE
53	P35304000	P35304000	KNOCK PIN		1	Fig02
55	P32582000	P32582000	BUSH		1	Fig02
56	P35265001	P35265001	OPEN BUTTON SPRING		1	Fig02
58	Q03200000	Q03200000	STICKER (ROUTE)_EX1		1	Fig01
59	JG100551A	JG100441A	CKN CLAMP		1	Fig01
60	MD4300622	MD4300622	PAN HEAD SCREW+SW+WL		1	Fig01
61	MD4302022	MD4302022	PAN HEAD SCREW+SW+WL		1	Fig01
62	P35414000	P35414000	SPACER		1	Fig02
63	NB0030022	NB0030022	SPRING WASHER		1	Fig03
64	MA0300822	MA0300822	PAN HEAD SCREW		1	Fig03
65	R15399002	R15399002	RS232C CABLE SET-LF		1	Fig03
67	R15404001	R15404002	KB CABLE SET-LF		1	Fig02
68	P25339000	P25339000	LOGO STICKER		1	Fig01
70	Q02196000	Q02196000	STICKER (CABLE)		1	Fig03
71	Q03199000	Q03199000	STICKER (CABLE)_EX4		1	Fig03
72	Q03253000	Q03253000	STICKER (FUSE)_EX4		1	Fig03
73	Q03252000	Q03252000	STICKER (AC IN)_EX4		1	Fig03
74	R17739100	R17739100	TOP COVER (STICKER)		1	Fig01
75	R17739100	R17739100	TOP COVER (STICKER)		1	Fig01



DESCRIPTION
Fig01-ENGINE ASSY



DESCRIPTION
Fig02-ENGINE ASSY

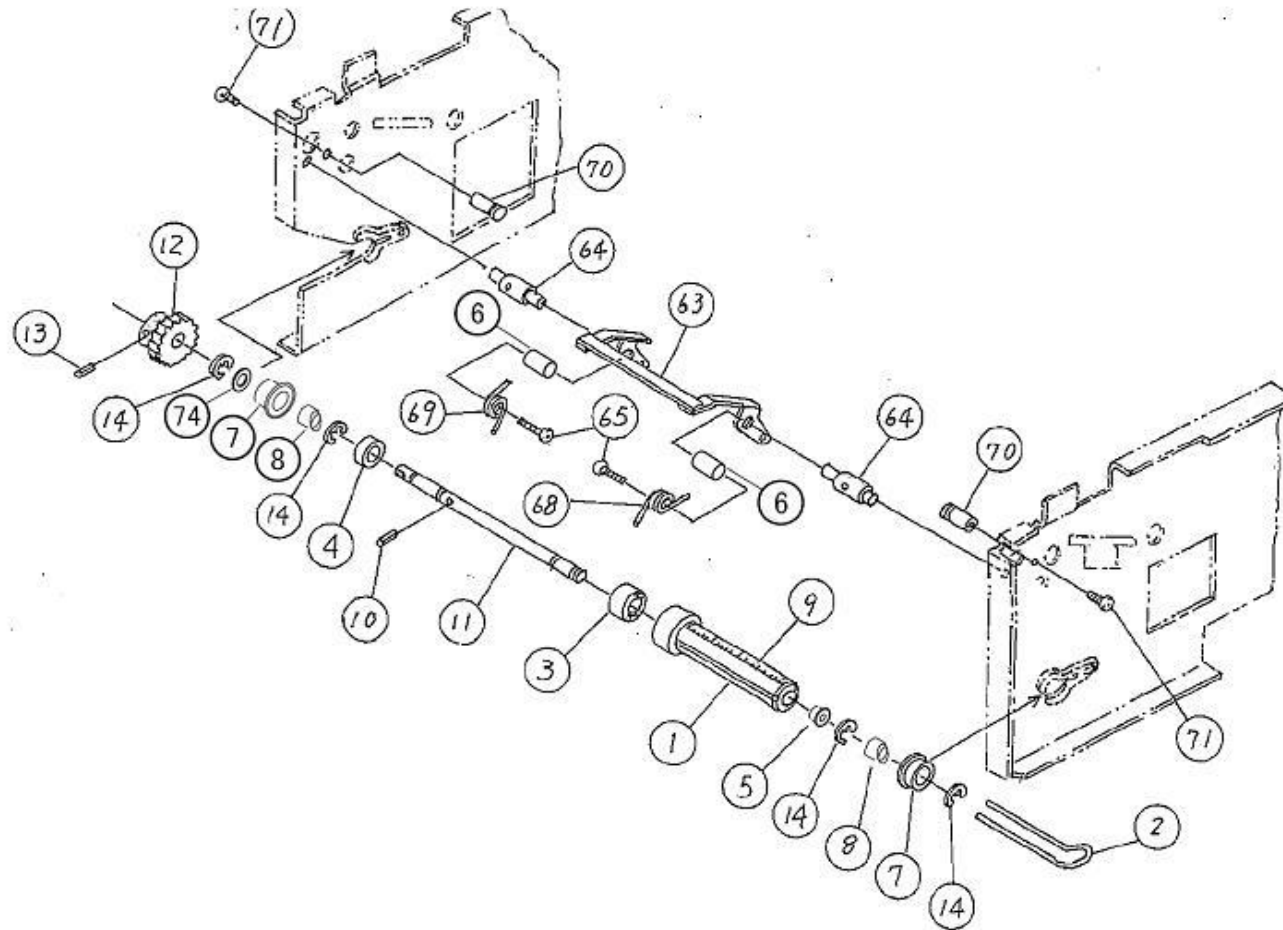


DESCRIPTION
Fig03-ENGINE ASSY

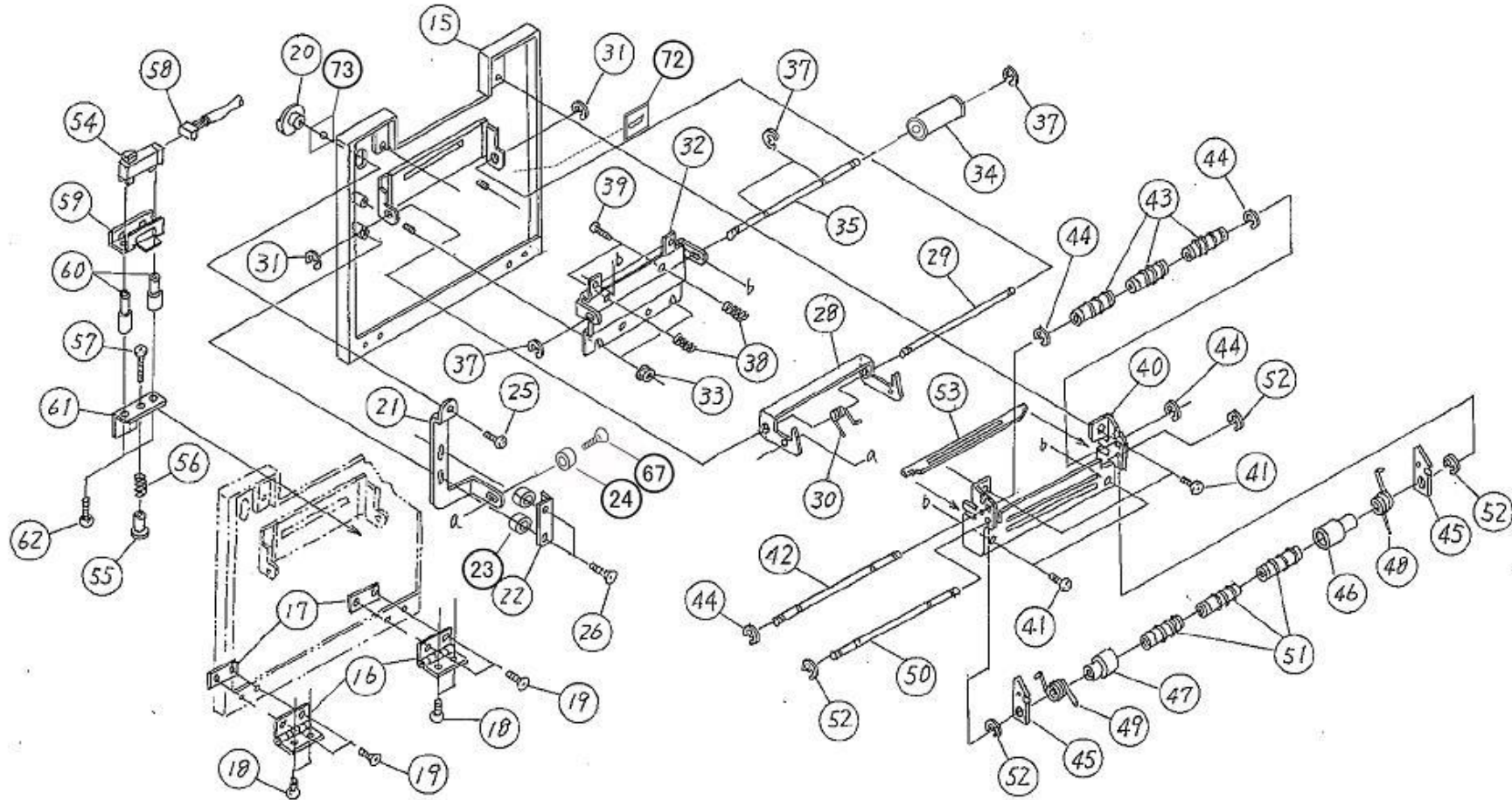
HR2XX SERVICE PARTS LIST

DATE: 10 Jun, 2013

AssyName		ENGINE ASSY				
NO	First_Code	Parts_No (REV. NO)	Description	Standard	Min Order	NOTE
1	P33909010	P33909010	DRIVE FRAME		1	Fig01
2	MD3300622	MD3300622	PAN HEAD SCREW+SW+WS		1	Fig01
3	R15943000	R15943000	DRIVE FRAME BEAM ASSY		1	Fig01
4	MA2300522	MA2300522	BIND HEAD SCREW		1	Fig01
5	R15373000	R15373000	COVER SENSOR PCB SET-LF		1	Fig01/Recommended Spare parts
6	MD3300622	MD3300622	PAN HEAD SCREW+SW+WS		1	Fig01
7	K00310000	K00310000	STEPPING MOTOR (FEED)		1	Fig01/Recommended Spare parts
8	P35331000	P35331000	ANTI-VIBRATION RUBBER		1	Fig01
9	MU5400522	MU5400522	NUT		1	Fig01
10	R15262000	R15262000	MOTOR PULLEY ASSY		1	Fig01
11	MD4401422	MD4401422	PAN HEAD SCREW+SW+WL		1	Fig01
12	MD4400622	MD4400622	PAN HEAD SCREW+SW+WL		1	Fig01
13	MJ1300424	MJ1300422	HEX SOCKET SET SCREW(W-POINT)		1	Fig01
14	MD3301022	MD3301022	PAN HEAD SCREW+SW+WS		1	Fig03
15	P34455010	P34455010	ROLLER SHAFT		1	Fig02
16	P34456000	P34456000	JOINT BOSS		1	Fig02
17	P35965000	P35965000	PULLEY (30)		1	Fig02
18	PT1112060	PT1112060	BALL SUPPORTER		1	Fig02
19	P35292000	P35292000	WASHER		1	Fig02
20	ND0050030	ND0050030	E SNAP RING		1	Fig02
21	P40227000	P40227000	HEX SOCKET SET SCREW		1	Fig02
22	MJ1300424	MJ1300422	HEX SOCKET SET SCREW(W-POINT)		1	Fig02
23	P34457000	P34457000	IDLER SHAFT		1	Fig02
24	P35210000	P35210000	IDLER NUT PLATE		1	Fig02
25	MD4303022	MD4303022	PAN HEAD SCREW+SW+WL		1	Fig02
26	P34086000	P34086000	COVER OPEN WASHER		1	Fig02
27	P34280000	P34280000	IDLER		1	Fig02
28	P35632000	P35632000	OILES BUSH		1	Fig02
29	P35301000	P35301000	WASHER		1	Fig02
30	P34458010	P34458010	DRIVE LINK SHAFT		1	Fig02
31	P35974000	P35974000	GEAR A		1	Fig02
32	PT1112060	PT1112060	BALL SUPPORTER		1	Fig02
33	P35292000	P35292000	WASHER		1	Fig02
34	MA0301022	MA0301022	PAN HEAD SCREW		1	Fig02
35	ND0050030	ND0050030	E SNAP RING		1	Fig02
38	MA2300822	MA2300822	BIND HEAD SCREW		1	Fig02
39	R16178000	R16178000	ONE WAY PULLEY ASSY		1	Fig02/Recommended Spare parts
40	P34392000	P34392000	TIMING BELT (474)		1	Fig02/Recommended Spare parts
53	NB2030022	NB2030022	TOOTHED LOCK WASHER		1	Fig02
54	R16396000	R16396000	ONE WAY HOLDER ASSY		1	Fig02/Recommended Spare parts (36+37)
55			PLATEN ROLLER SA		1	Fig03/Recommended Spare parts
56			DISP ROLLER SA	Order SET parts R18320000	1	Fig03/Recommended Spare parts
57			FEED ROLLER SA		1	Fig03/Recommended Spare parts
58	P35284000	P35284000	POLY SLIDER WASHER		1	Fig02
59	R18320000	R18320000	LABEL ROLLER SET		1	Fig03/Recommended Spare parts (55+56+57)



DESCRIPTION
Fig01-DISPENSER ASSY(



DESCRIPTION
Fig02-DISPENSER ASSY

HR2XX SERVICE PARTS LIST

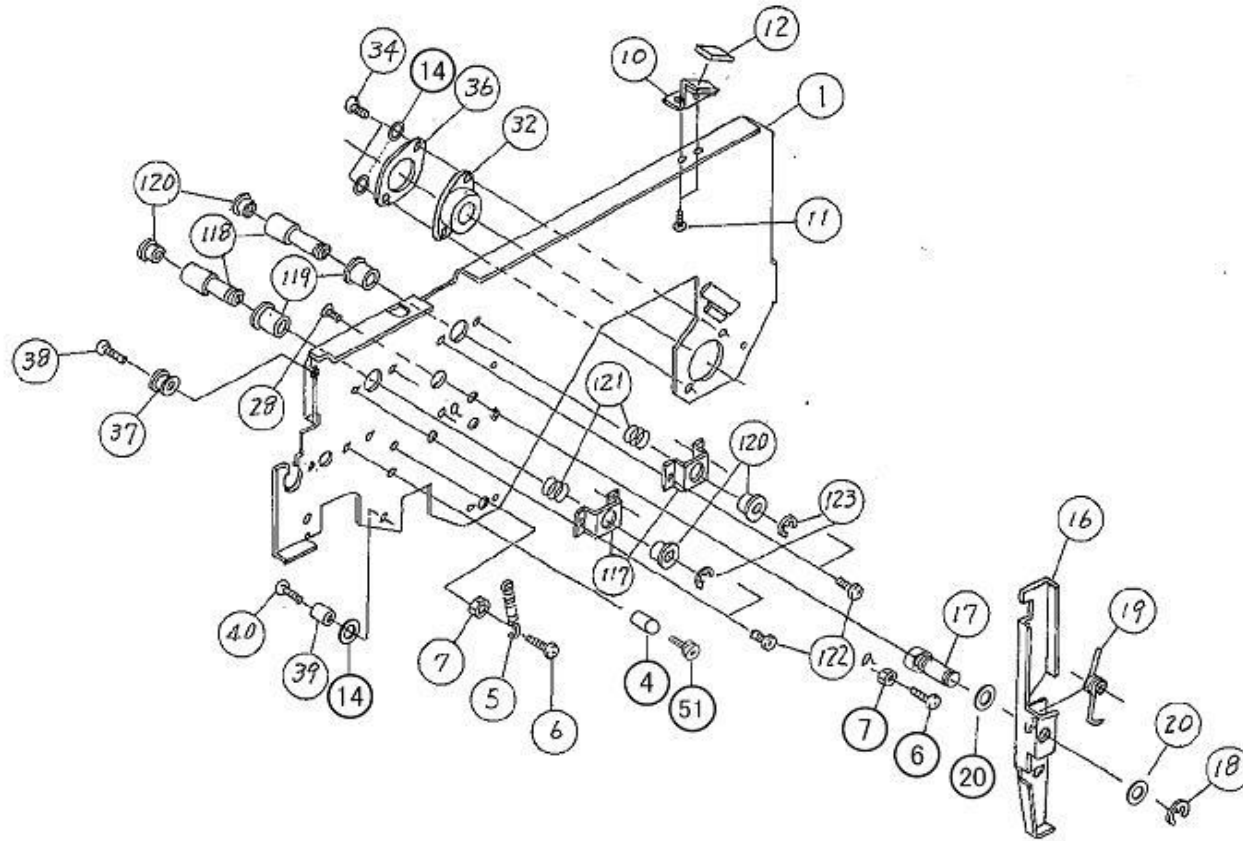
DATE: 10 Jun, 2013

AssyName		DISPENSER ASSY				
NO	First_Code	Parts_No (REV. NO)	Description	Standard	Min Order	NOTE
1	P33843001	P33843001	REWIND CORE		1	Fig01
2	P34472000	P34472000	LINER HOLD WIRE		1	Fig01
3	P36440000	P36440000	TORQUE LIMITER		1	Fig01/Recommended Spare parts
4	P35308000	P35308000	BEARING		1	Fig01
5	P17470000	P17470000	OILESS BEARING		1	Fig01
6	P35324000	P35324000	SPACER		1	Fig01
7	P34473000	P34473000	BOSS (REWIND)		1	Fig01
8	P35345000	P35345000	OILES BUSH		1	Fig01
9	Q02836000	Q02836000	SCALE STICKER		1	Fig01
10	P35287000	P35287000	SPRING PIN		1	Fig01
11	P34462010	P34462010	REWIND CORE SHAFT		1	Fig01
12	P35973000	P35973000	GEAR D		1	Fig01
13	P35307000	P35307000	SPRING PIN		1	Fig01
14	ND0050030	ND0050030	E SNAP RING		1	Fig01
15	R15816000	R15816000	REWIND COVER ASSY		1	Fig02
16	P35349000	P35349000	HINGE		1	Fig02
17	P34059000	P34059000	NUT PLATE		1	Fig02
18	MD4250622	MD4250622	PAN HEAD SCREW+SW+WL		1	Fig02
19	MA1250622	MA1250622	FLAT HEAD SCREW		1	Fig02
20	P33875000	P33875000	RW OPEN BUTTON		1	Fig02
21	P34060010	P34060010	LINK		1	Fig02
22	P34061000	P34061000	LINK COVER		1	Fig02
23	P35328000	P35328000	SPACER		1	Fig02
24	P35323000	P35323000	SPACER		1	Fig02
25	MH0300622	MH2300622	BIND P TIGHT SCREW		1	Fig02
26	MA1250422	MA1250422	FLAT HEAD SCREW		1	Fig02
27	MD3300422	MD3300422	PAN HEAD SCREW+SW+WS		1	Fig02
28	P34062010	P34062010	DISP LOCK LEVER		1	Fig02
29	P35220000	P35220000	DISP HINGE SHAFT		1	Fig02
30	P34442010	P34442010	FRONT COVER SPRING		1	Fig02
31	ND0030030	ND0030030	E SNAP RING		1	Fig02
32	P34063000	P34063000	DISP CABLE COVER		1	Fig02
33	MU5300522	MU5300522	NUT		1	Fig02
34	R16539000	R16539000	DISP PINCH ROLLER SA		1	Fig02/Recommended Spare parts
35	P35223000	P35223000	DISP PINCH ROL. SHAFT		1	Fig02
37	ND0030030	ND0030030	E SNAP RING		1	Fig02
38	P35314000	P35314000	SPRING		1	Fig02
39	MA2301222	MA2301222	BIND HEAD SCREW		1	Fig02
40	P34064010	P34064010	DISP SHAFT BR		1	Fig02
41	MA2250422	MA2250422	BIND HEAD SCREW		1	Fig02
42	P35226000	P35226000	DISP ROLLER SHAFT		1	Fig02
43	PE1A20000	PE1A20000	DEMAND ROLLER (B)		1	Fig02
44	ND0020030	ND0020030	E SNAP RING		1	Fig02
45	P34065010	P34065010	SHAFT HOOK		1	Fig02
46	P35225000	P35225000	DISP GUIDE COLLAR L		1	Fig02
47	P35224000	P35224000	DISP GUIDE COLLAR R		1	Fig02
48	P34444000	P34444000	PRESSURE SPRING L		1	Fig02
49	P34443000	P34443000	PRESSURE SPRING R		1	Fig02
50	P35226000	P35226000	DISP ROLLER SHAFT		1	Fig02

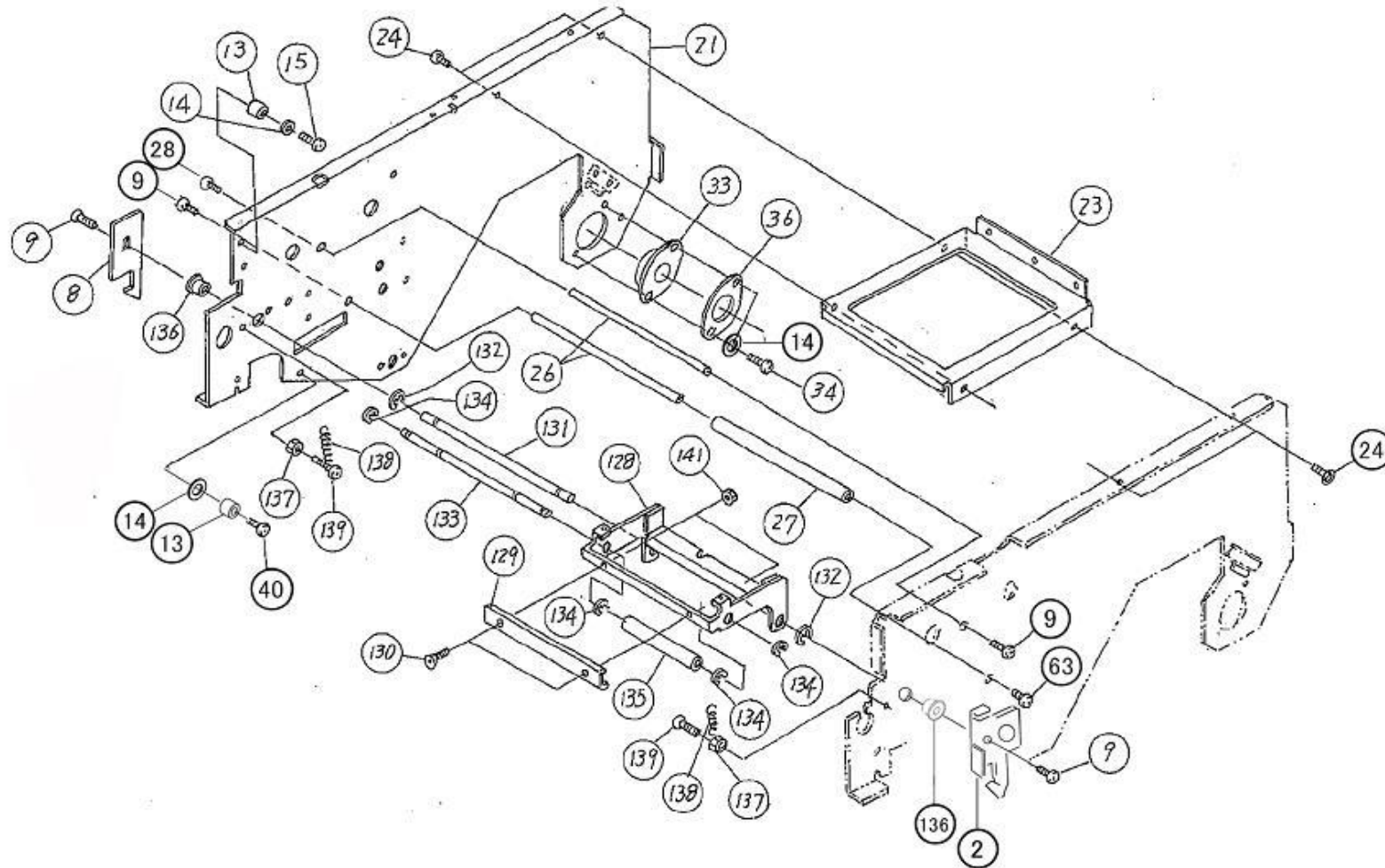
HR2XX SERVICE PARTS LIST

DATE: 10 Jun, 2013

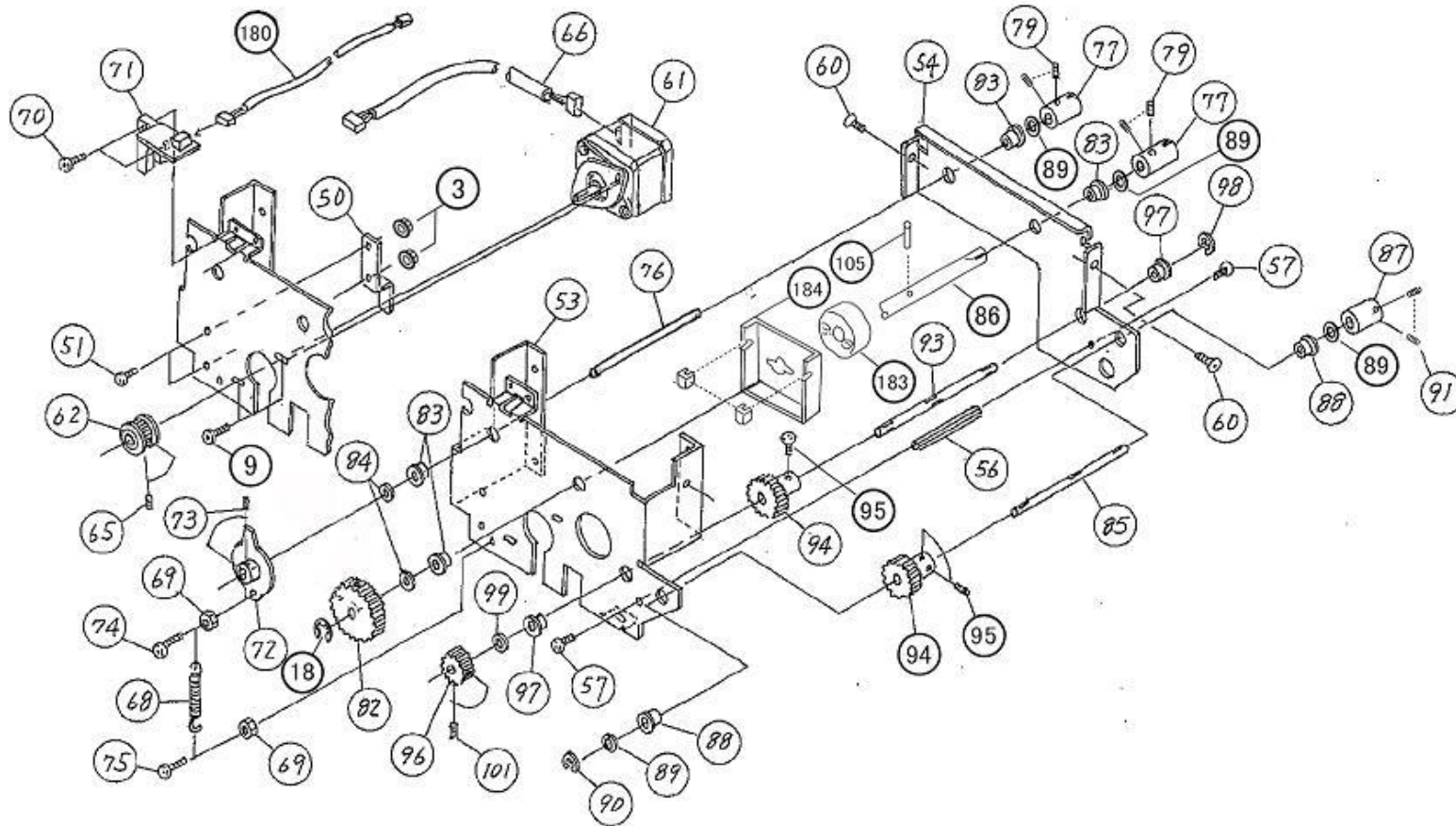
AssyName DISPENSER ASSY						
NO	First_Code	Parts_No (REV. NO)	Description	Standard	Min Order	NOTE
51	PE1A20000	PE1A20000	DEMAND ROLLER(B)		1	Fig02
52	ND0020030	ND0020030	E SNAP RING		1	Fig02
53	P35603000	P35603000	DISP SENSOR COVER		1	Fig02
54	R16421000	R16421000	DISP SENSOR SA		1	Fig02/Recommended Spare parts
55	P35346000	P35346000	OILES BUSH		1	Fig02
56	P35313001	P35313001	SPRING		1	Fig02
57	MA2200622	MA2200622	BIND HEAD SCREW		1	Fig02
58	R16273000	R16273000	DETACHING SENSOR RELAY CABLE SET-LF		1	Fig02
60	P35228000	P35228000	SENSOR SPACER		1	Fig02
61	P34067000	P34067000	DISP SENSOR KNOB		1	Fig02
62	MA2250422	MA2250422	BIND HEAD SCREW		1	Fig02
63	R15879000	R15879000	DISP PLT SUPPORT ASSY		1	Fig01
64	P35229000	P35229000	DISP GUIDE SHAFT		1	Fig01
65	MD4300822	MD4300822	PAN HEAD SCREW+SW+WL		1	Fig01
67	MD4300622	MD4300622	PAN HEAD SCREW+SW+WL		1	Fig02
68	P35230000	P35230000	DISP GUIDE SPRING R		1	Fig01
69	P35231000	P35231000	DISP GUIDE SPRING L		1	Fig01
70	P35232000	P35232000	DISP GUIDE STOPPER		1	Fig01
71	MD3300622	MD3300622	PAN HEAD SCREW+SW+WS		1	Fig01
72	P12122000	P12122000	CORD KEEP (K)		1	Fig02
73	P36690000	P36690000	BUTTON SHEET		1	Fig02
74	P35284000	P35284000	POLY SLIDER WASHER		1	Fig01



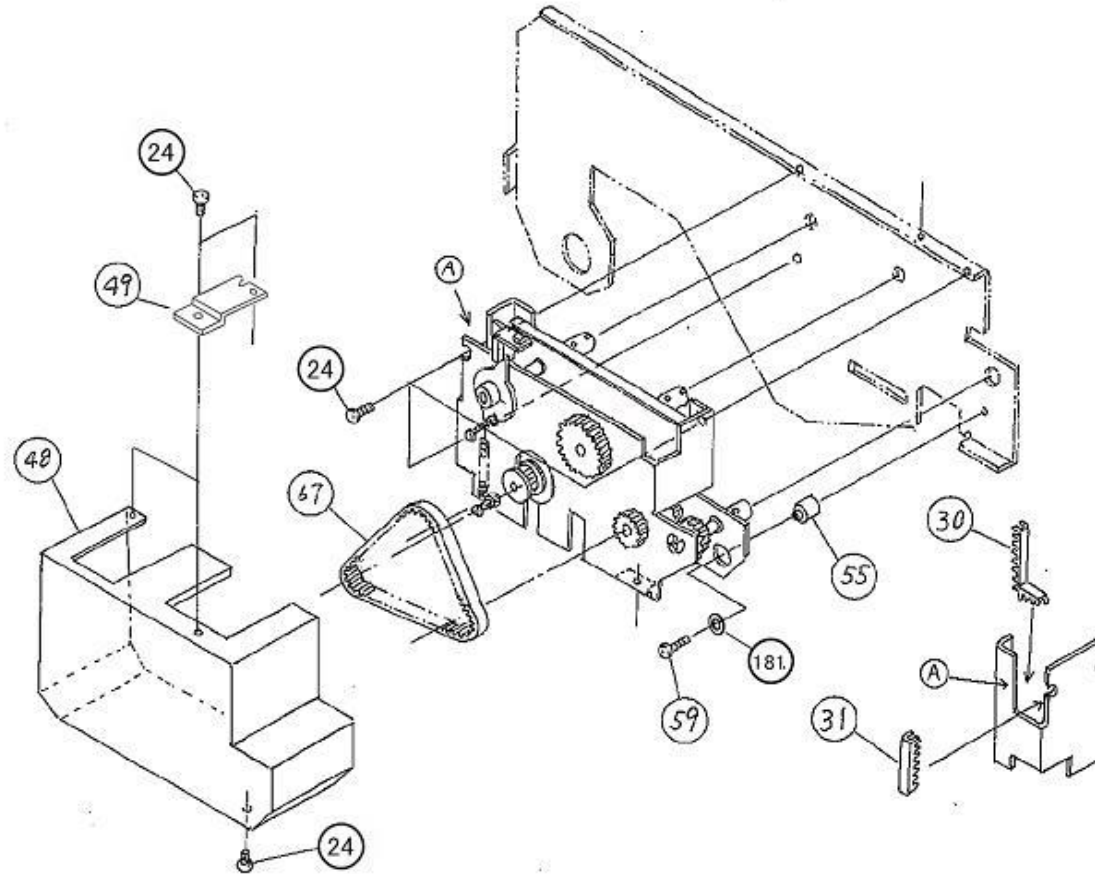
DESCRIPTION
Fig01-RIBBON ASSY



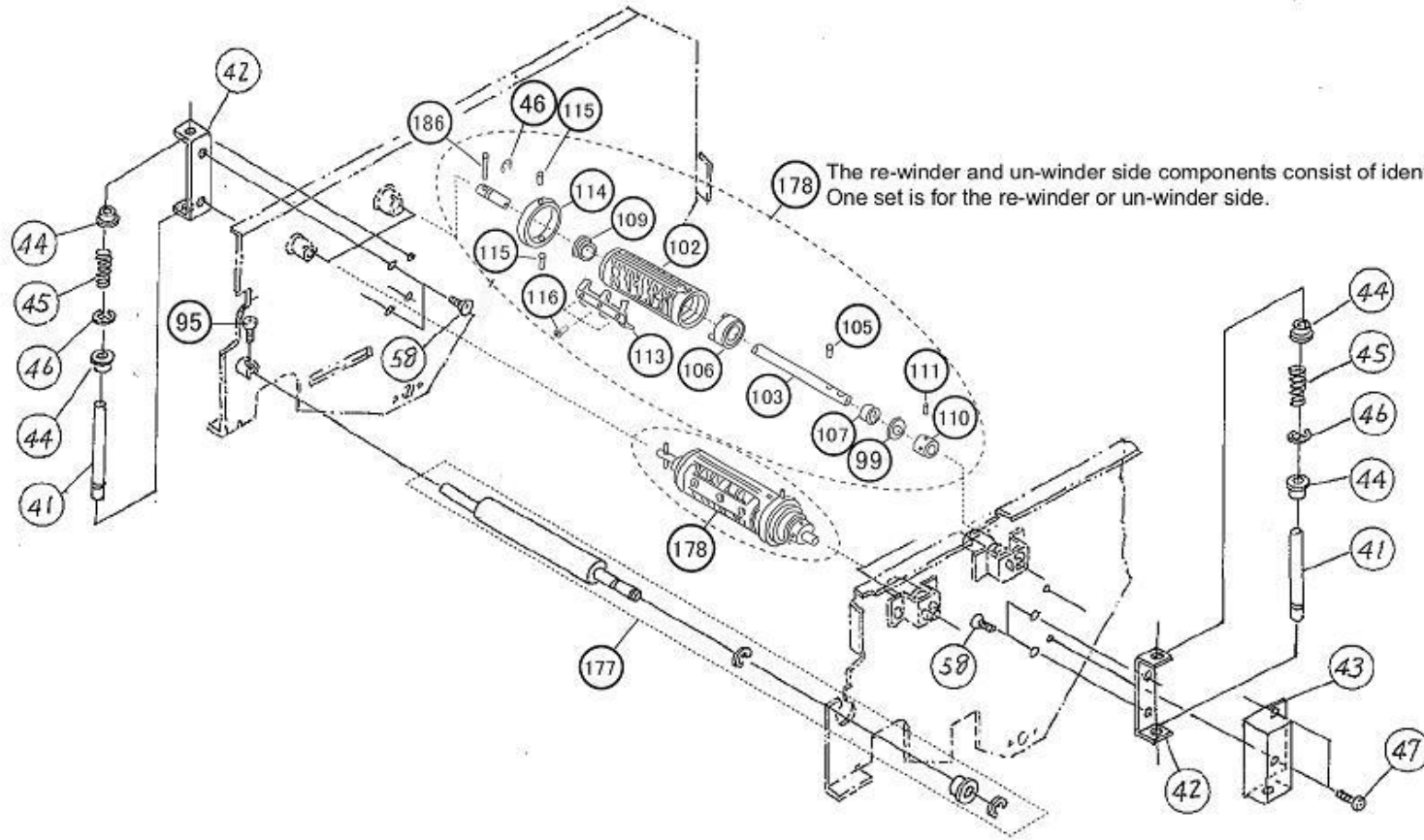
DESCRIPTION
Fig02-RIBBON ASSY



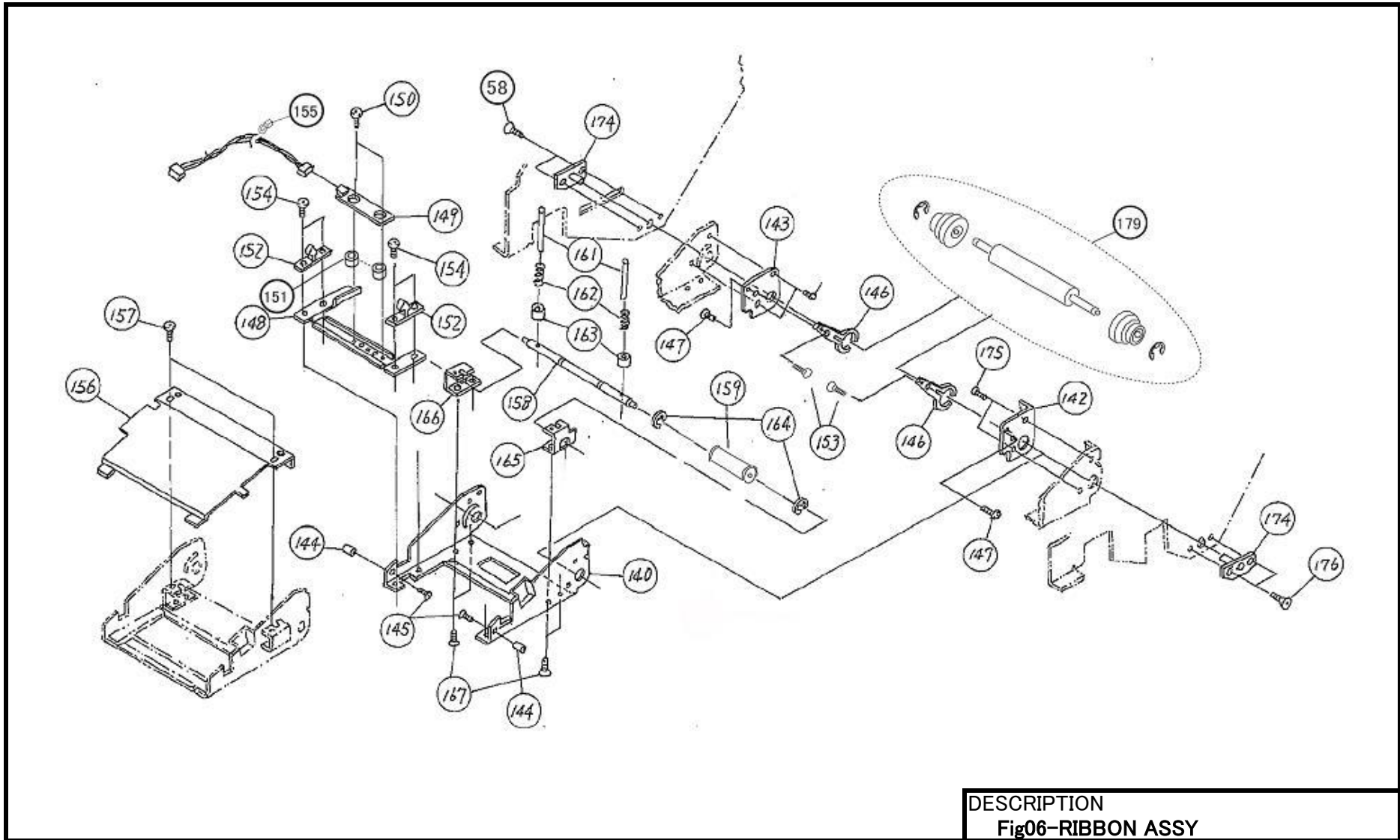
DESCRIPTION
Fig03-RIBBON ASSY



DESCRIPTION
Fig04-RIBBON ASSY



DESCRIPTION
Fig05-RIBBON ASSY



HR2XX SERVICE PARTS LIST

DATE: 10 Jun, 2013

AssyName RIBBON ASSY

NO	First_Code	Parts_No (REV. NO)	Description	Standard	Min Order	NOTE
1	R15880000	R15880000	RIBBON FRAME R ASSY		1	Fig01
2	P33985000	P33985000	RELEASE LEVER		1	Fig02
5	P35319000	P35319000	SPRING		1	Fig01
6	MA2301022	MA2301022	BIND HEAD SCREW		1	Fig01
7	MT1300522	MT1300522	HEXAGON NUT		1	Fig01
8	P33986000	P33986000	RELEASE PLATE		1	Fig02
9	MD4300622	MD4300622	PAN HEAD SCREW+SW+WL		1	Fig02, 03
10	P33988000	P33988000	COVER STOPPER		1	Fig01
11	MD4300622	MD4300622	PAN HEAD SCREW+SW+WL		1	Fig01
12	P35233000	P35233000	COVER STOPPER RUBBER		1	Fig01
13	P35327000	P35327000	SPACER		1	Fig02
14	P35350000	P35350000	FLAT WASHER		1	Fig01, 02
15	MD3301022	MD3301022	PAN HEAD SCREW+SW+WS		1	Fig02
16	P33989011	P33989011	RIBBON LEVER		1	Fig01
17	P34483021	P34483021	RIBBON LEVER PIN		1	Fig01
18	ND0050030	ND0050030	E SNAP RING		1	Fig01, 03
19	P34441000	P34441000	RIBBON OPEN SPRING		1	Fig01
20	P35284000	P35284000	POLY SLIDER WASHER		1	Fig01
21	R15881000	R15881000	RIBBON FRAME L ASSY		1	Fig02
22	P35657000	P35657000	FREE BUSH(102)		1	Fig02
23	P33984000	P33984000	RBN FRAME SUPPORT		1	Fig02
24	MA2300429	MA2300422	BIND HEAD SCREW		1	Fig02, 04
26	P34482010	P34482010	RIBBON BEAM		1	Fig02
27	P34281000	P34281000	RIBBON ROLLER		1	Fig02
28	MA1300622	MA1300622	FLAT HEAD SCREW		1	Fig01
30	P35658000	P35658000	FREE BUSH(48)		1	Fig04
31	P35659000	P35659000	FREE BUSH(34)		1	Fig04
32	PT9A60100	PT9A60100	ONEWAY HINGE		1	Fig01
33	P35351000	P35351000	ONEWAY HINGE		1	Fig02
34	MD4300822	MD4300822	PAN HEAD SCREW+SW+WL		1	Fig01, 02
36	P35234000	P35234000	HINGE REINFORCE PLATE		1	Fig01, 02
37	P34484000	P34484000	FRAME GUIDE ROLLER		1	Fig01
38	MD4301222	MD4301222	PAN HEAD SCREW+SW+WL		1	Fig01
39	P35326000	P35326000	SPACER		1	Fig01
40	MD3301022	MD3301022	PAN HEAD SCREW+SW+WS		1	Fig01, 02
41	P35254000	P35254000	PUSH ROD		1	Fig05
42	P35255000	P35255000	ROD BRACKET		1	Fig05
43	P35256000	P35256000	ROD COVER		1	Fig05
44	P31987000	P31987000	BEARING		1	Fig05
45	P35317000	P35317000	SPRING		1	Fig05
46	ND0050030	ND0050030	E SNAP RING		1	Fig05

HR2XX SERVICE PARTS LIST

DATE: 10 Jun, 2013

AssyName RIBBON ASSY

NO	First_Code	Parts_No (REV. NO)	Description	Standard	Min Order	NOTE
47	MD4300422	MD4300422	PAN HEAD SCREW+SW+WL		1	Fig04, 05
48	P33996001	P33996001	FRAME COVER A		1	Fig04, 05
49	P33999010	P33999010	FRAME COVER B		1	Fig04
50	P34000000	P34000000	OPEN FLAG		1	Fig03
51	MD4300822	MD4300822	PAN HEAD SCREW+SW+WL		1	Fig03, 04
53	P34001010	P34001010	RIBBON GEAR FRAME A		1	Fig03
54	P34003001	P34003001	RIBBON GEAR FRAME B		1	Fig03
55	P35239000	P35239000	RIBBON FRAME BOSS		1	Fig04
56	P35240000	P35240000	RIBBON FRAME SPACER		1	Fig03
57	MA2300429	MA2300422	BIND HEAD SCREW		1	Fig03
58	MA1300522	MA1300522	FLAT HEAD SCREW		1	Fig05
59	MD4301522	MD4301522	PAN HEAD SCREW+SW+WL		1	Fig04
60	MA1300622	MA1300622	FLAT HEAD SCREW		1	Fig03
61	K00311000	K00311001	STEPPING MOTOR (RIBBON)		1	Fig03/Recommended Spare parts
62	R15268000	R15268000	LIFT MOTOR PLY ASSY		1	Fig03
63	MD3300622	MD3300622	PAN HEAD SCREW+SW+WS		1	Fig02
65	MJ1300324	MJ1300330	W-POINT SCREW		1	Fig03
66	R15407001	R15407001	RIBBON WINDING MOTOR CABLE SET2-LF		1	Fig03
67	P34394000	P34394000	TIMING BELT (240)		1	Fig04/Recommended Spare parts
68	P36356000	P36356000	BF SPRING		1	Fig03
69	MT1300522	MT1300522	HEXAGON NUT		1	Fig03
70	MD3300622	MD3300622	PAN HEAD SCREW+SW+WS		1	Fig03
71	R15373000	R15373001	COVER SENSOR PCB SET-LF		1	Fig03/Recommended Spare parts
72	R15884000	R15884000	RIBBON FLAG ASSY		1	Fig03
73	MJ1300424	MJ1300422	HEX SOCKET SET SCREW (W-POINT)		1	Fig03
74	MA2300822	MA2300822	BIND HEAD SCREW		1	Fig03
75	MA2301222	MA2301222	BIND HEAD SCREW		1	Fig03
76	P34486010	P34486010	RIBBON SHAFT		1	Fig03
77	P34487000	P34487000	RIBBON JOINT BOSS		1	Fig03
79	P40227000	P40227000	HEX SOCKET SET SCREW		1	Fig03
80	MJ1300630	MJ1300630	HEXAGON SOCKET HEAD CAP SCREW (W POINT)		1	Fig03
82	R16435000	R16435000	RIBBON PULLEY A ASSY		1	Fig03/Recommended Spare parts
83	PT1112060	PT1112060	BALL SUPPORTER		1	Fig03
84	P35284000	P35284000	POLY SLIDER WASHER		1	Fig03
85	P34490010	P34490010	SYNCH SHAFT		1	Fig03
86	P36376010	P36376010	RIBBON SHAFT (RW)		1	Fig03
87	P34456000	P34456000	JOINT BOSS		1	Fig03
88	PT1112060	PT1112060	BALL SUPPORTER		1	Fig03
89	P35284000	P35284000	POLY SLIDER WASHER		1	Fig03
90	ND0050030	ND0050030	E SNAP RING		1	Fig03
91	P40227000	P40227000	HEX SOCKET SET SCREW		1	Fig03

HR2XX SERVICE PARTS LIST

DATE: 10 Jun, 2013

AssyName RIBBON ASSY

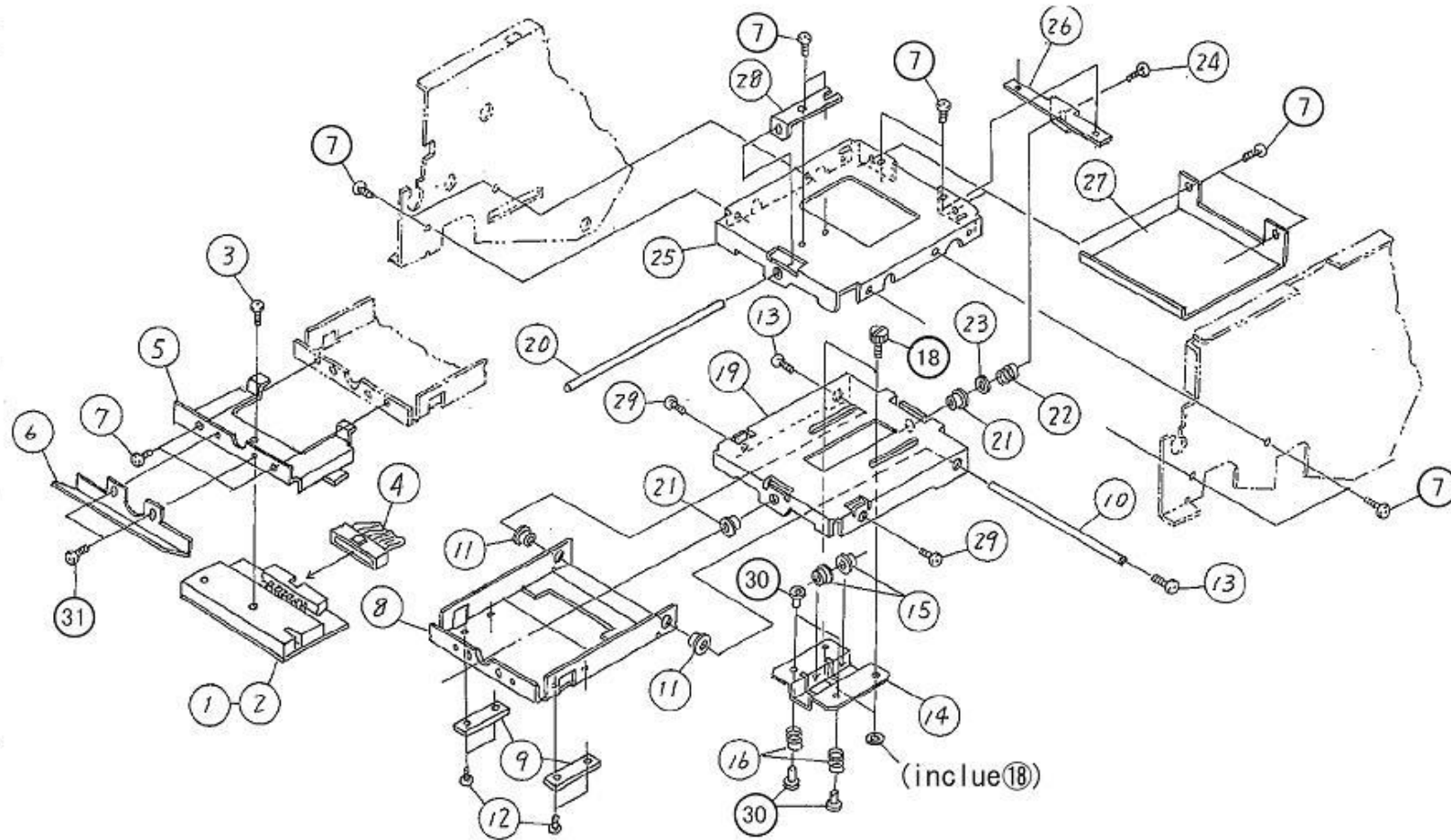
NO	First_Code	Parts_No (REV. NO)	Description	Standard	Min Order	NOTE
93	P34491010	P34491010	REVERSING SHAFT		1	Fig03
94	P35968000	P35968000	GEAR C		1	Fig03
95	MA0301022	MA0301022	PAN HEAD SCREW		1	Fig03
96	P35969000	P35969000	RIBBON PULLEY B		1	Fig03
97	PT1112060	PT1112060	BALL SUPPORTER		1	Fig03
98	ND0050030	ND0050030	E SNAP RING		1	Fig03
99	P35284000	P35284000	POLY SLIDER WASHER		1	Fig05
101	P40227000	P40227000	HEX SOCKET SET SCREW		1	Fig03, 05
102	P33853000	P33853000	RIBBON ADAPTOR		1	Fig05
103	P34492010	P34492010	RIBBON ADAPTOR SHAFT		1	Fig05
105	P35287000	P35287000	SPRING PIN		1	Fig05
106	P35343000	P35343000	TORQUE LIMITER		1	Fig05/Recommended Spare parts
107	P35308000	P35308000	BEARING		1	Fig05
109	P17470000	P17470000	OILESS BEARING		1	Fig05
110	P34493000	P34493000	ADAPTOR STOPPER		1	Fig05
111	MJ1300324	MJ1300330	W-POINT SCREW		1	Fig05
113	P34032000	P34032000	BOSS SPRING		1	Fig05
114	P33854000	P33854000	RIBBON STOPPER		1	Fig05
115	P35310000	P35310000	SPRING PIN		1	Fig05
116	MH0300422	MH0300422	PAN HEAD P TIGHT SCREW		1	Fig05
117	P34022001	P34022001	RIBBON BOSS BR		1	Fig01
118	P34494000	P34494000	ADAPTOR FIX R		1	Fig01
119	PT2112100	PT2112100	OILESS BEARING		1	Fig01
120	P17470000	P17470000	OILESS BEARING		1	Fig01
121	P35318001	P35318001	SPRING		1	Fig01
122	MD4300522	MD4300522	PAN HEAD SCREW+SW+WL		1	Fig01
123	ND0050030	ND0050030	E SNAP RING		1	Fig01
128	R15888010	R15888010	TENSION BR ASSY		1	Fig02
129	P33852000	P33852000	BRACKET COVER		1	Fig02
130	MA1200822	MA1200822	FLAT HEAD SCREW		1	Fig02
131	P34496000	P34496000	LOCK HINGE SHAFT		1	Fig02
132	ND0050030	ND0050030	E SNAP RING		1	Fig02
133	P34497000	P34497000	RIBBON PINCH SHAFT		1	Fig02
134	ND0040030	ND0040030	E SNAP RING		1	Fig02
135	P35355000	P35355000	RESIN COLLARS		1	Fig02
136	P31987000	P31987000	BEARING		1	Fig02
137	MT1300522	MT1300522	HEXAGON NUT		1	Fig02
138	P35321000	P35321000	SPRING		1	Fig02
139	MA2301222	MA2301222	BIND HEAD SCREW		1	Fig02
140	R15889000	R15889000	TOP GUIDE A ASSY		1	Fig06
141	MT1200422	MT1200422	HEX NUT		1	Fig02

HR2XX SERVICE PARTS LIST

DATE: 10 Jun, 2013

AssyName RIBBON ASSY

NO	First_Code	Parts_No (REV. NO)	Description	Standard	Min Order	NOTE
142	P35555000	P35555000	PINCH ADJUSTER		1	Fig06
143	P35556000	P35556000	PINCH FIXER		1	Fig06
144	P35559010	P35559010	PINCH SPACER		1	Fig06
145	MA1250522	MA1250522	FLAT HEAD SCREW		1	Fig06
146	P33842000	P33842000	SHAFT CLIP		1	Fig06
147	MA1300822	MA1300822	FLAT HEAD SCREW		1	Fig06
148	P34047010	P34047010	TOP GUIDE B		1	Fig06
149	R15408001	R15408002	GAP SENSOR1 CABLE SET-LF		1	Fig06/Recommended Spare parts
150	MA2200422	MA2200422	BIND HEAD SCREW		1	Fig06
151	P35329000	P35329000	SPACER		1	Fig06
152	P35359000	P35359000	ROLLER CATCH		1	Fig06
153	MA0300622	MA0300622	PAN HEAD SCREW		1	Fig06
154	MD4250622	MD4250622	PAN HEAD SCREW+SW+WL		1	Fig06
155	JG100011A	JG100011A	TIE WRAP		1	Fig06
156	R15890010	R15890010	GAP PROTECT ASSY		1	Fig06
157	MA2250422	MA2250422	BIND HEAD SCREW		1	Fig06
158	P35242000	P35242000	TENSION ROLLER SHAFT		1	Fig06
159	R16543000	R16543000	TENSION ROLLER SA		1	Fig06/Recommended Spare parts
161	P35305000	P35305000	KNOCK PIN		1	Fig06
162	P35315000	P35315000	SPRING		1	Fig06
163	P35330000	P35330000	SPACER		1	Fig06
164	ND0050030	ND0050030	E SNAP RING		1	Fig06
165	P34052010	P34052010	BRACKET R		1	Fig06
166	P34053010	P34053010	BRACKET L		1	Fig06
167	MA1250422	MA1250422	FLAT HEAD SCREW		1	Fig06
168	P17470000	P17470000	OILESS BEARING		1	Fig06
174	R15891010	R15891010	PLATE ASSY		1	Fig06
175	MD3300422	MD3300422	PAN HEAD SCREW+SW+WS		1	Fig06
176	MA1300422	MA1300422	FLAT HEAD SCREW		1	Fig06
177	R16377000	R16377000	RIBBON ROLLER SA		1	Fig06/Recommended Spare parts
178	R16376000	R16376000	RIBBON ADAPTOR SA		1	Fig05
179	R16378000	R16378000	GUIDE ROLLER SA		1	Fig06/Recommended Spare parts
180	R15410002	R15410002	SENSOR CABLE SET-LF		1	Fig03
181	NA1003022	NA1003022	PLAIN WASHER		1	Fig04
183	P36440000	P36440000	TORQUE LIMITER		1	Fig03
184	P36568000	P36568000	TL STOPPER BR		1	Fig03
186	P35312000	P35312000	SPRING PIN		1	Fig05



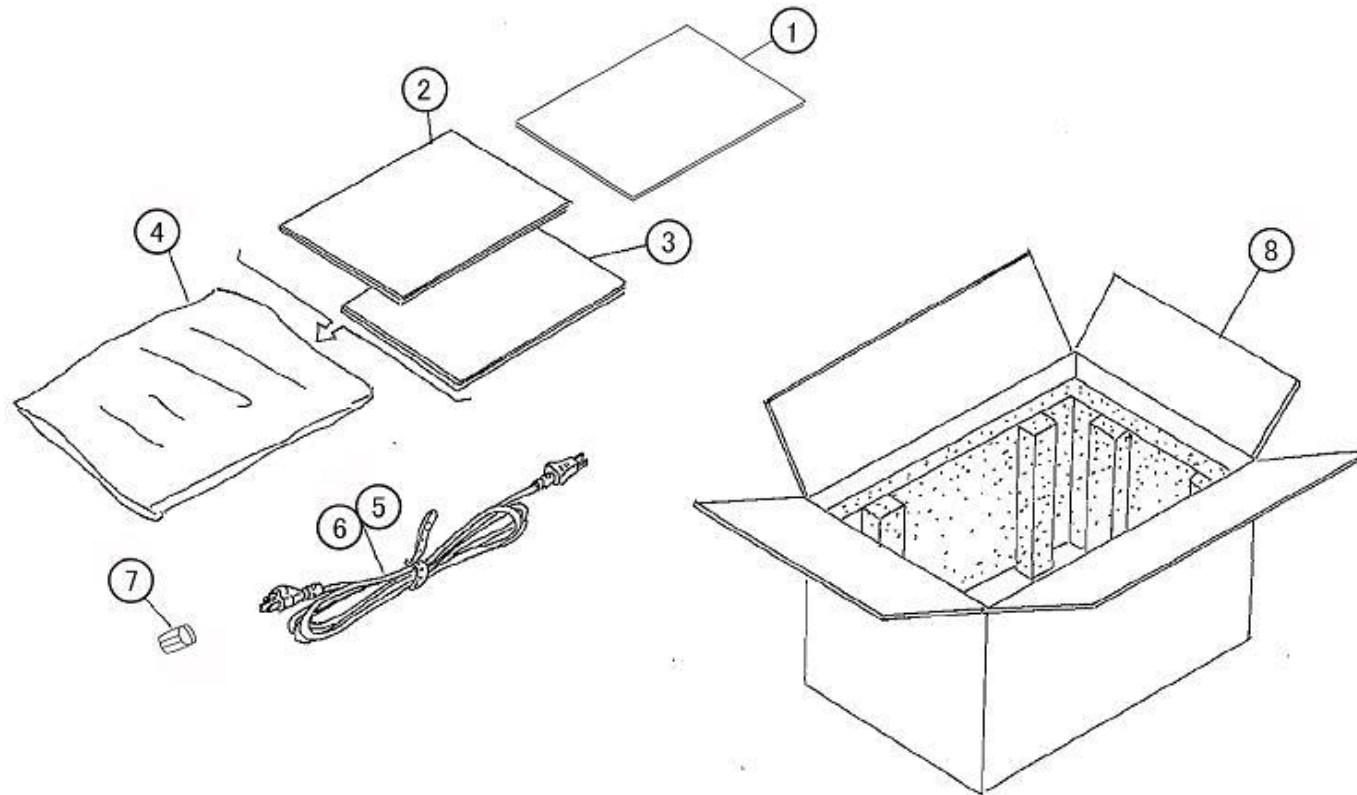
DESCRIPTION
HEAD ASSY

HR2XX SERVICE PARTS LIST

DATE: 10 Jun, 2013

AssyName HEAD ASSY

NO	First_Code	Parts_No (REV. NO)	Description	Standard	Min Order	NOTE
1	G00341001	G00341001	THERMAL HEAD(305dpi)		1	Fig/Recommended Spare parts
2	G00342001	G00342001	THERMAL HEAD(609dpi)		1	Fig/Recommended Spare parts
3	MA2300522	MA2300522	BIND HEAD SCREW		1	Fig
4	R15405001	R15405001	HD CABLE SET-LF		1	Fig
5	R15892001	R15892001	HEAD BR ASSY		1	Fig
6	P34035001	P34035001	RIBBON ADJUST PLT		1	Fig
7	MD4300622	MD4300622	PAN HEAD SCREW+SW+WL		1	Fig
8	P34037000	P34037000	HEAD PRESSUR BR		1	Fig
9	P34282000	P34282000	HEAD SPACER		1	Fig
10	P35248000	P35248000	HEAD HINGE SHAFT		1	Fig
11	P35302000	P35302000	OILES BUSH		1	Fig
12	MA1300422	MA1300422	FLAT HEAD SCREW		1	Fig
13	MD4300822	MD4300822	PAN HEAD SCREW+SW+WL		1	Fig
14	P34039000	P34039000	ADJUST PLATE		1	Fig
15	P17470000	P17470000	OILESS BEARING		1	Fig
16	P35316001	P35316001	SPRING		1	Fig
18	P35365000	P35365000	GRIP SCREWS		1	Fig
19	P34040001	P34040001	FLOATING PLATE		1	Fig
20	P35249000	P35249000	HEAD FLOATING SHAFT		1	Fig
21	P35302000	P35302000	OILES BUSH		1	Fig
22	P35322001	P35322001	SPRING		1	Fig
23	P35374000	P35374000	NYLON WASHER		1	Fig
24	MD4300822	MD4300822	PAN HEAD SCREW+SW+WL		1	Fig
25	P34041010	P34041010	HEAD FRAME		1	Fig
26	P34042001	P34042001	HEAD ADJUST PLT		1	Fig
27	P34043000	P34043000	HEAD CABLE COVER		1	Fig
28	P34045010	P34045010	FRONT-BACK STOPPER		1	Fig
29	MA2300522	MA2300522	BIND HEAD SCREW		1	Fig
30	P40355000	P40355000	OILES BEARING		1	Fig
31	MD4300422	MD4300422	PAN HEAD SCREW+SW+WL		1	Fig



DESCRIPTION ATTACHMENT ASSY

HR2XX SERVICE PARTS LIST

DATE: 10 Jun, 2013

AssyName

NO	First_Code	Parts_No (REV. NO)	Description	Standard	Min Order	NOTE
1			QUICK GUIDE		1	Fig
2	Q01013002	Q01013005	GWP-LEAFLET		1	Fig
3	Q01646000	Q01646001	MANUAL (WEEE)		1	Fig
4	QB2042336	QB2042336	POLYBAG		1	Fig
5	H00879000	H00879000	POWER CORD (EX2) -LF		1	Fig
6	H00880000	H00880000	POWER CORD (EX4) -LF		1	Fig
7	K00041000	K00041000	Ferrite core(black)		1	Fig
8	R15949000	R15949010	PACKING SET J		1	Fig

Ver	Date	Note	RVNO.
01			
02	2016/9/16	Chage F/C G00341000 -> G00341001	RV20126
		Chage F/C G00342000 -> G00342001	RV20126
03	2018/1/16	Change F/C R15543000 -> R15814021	