



# WT4-AXB TT203 / 300 Printer Quick Start Guide

快速安裝指南

快速安装指南

Guía Rápida

Rapide guide

Bedienerhandbuch

Guia de Ajuda Rápida

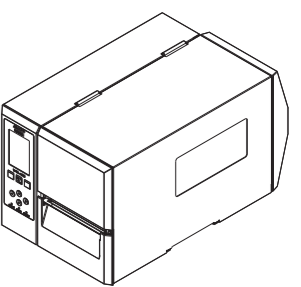
Guida Rapida

Mini Kılavuzu

Руководство по быстрой установке

Pedoman Penginstalan Cara Cepat

Hızlı Kurulum Kılavuzu



Safety Precautions



Part No.: 49-WT401-001

Revision Date: November 2024

The user is cautioned that any changes or modifications not recommended by SATO could result in losing the user's authority to operate the equipment. To ensure compliance, the users must use accessories and peripherals approved by SATO.



**Supplemental Information:** This device complies with the requirements of FCC Part 15 Rules. Operation is subject to the following two Conditions:  
(1) This device may not cause harmful interference, and (2) this device must accept any interference received, including interference that may cause undesired operation.

### INDUSTRY CANADA NOTICE:

This device complies with Industry Canada ICES-003 class A requirements. Cet équipement est conforme à ICES-003 classe A de la norme industrielle canadienne.



The manufacturer declares under sole responsibility that this product conforms to the following standards or other normative documents:  
EMC: EN 55022:2010 class A  
EN 55024:2010



SATO certifies that the following products and/or components are compliant with the current requirements of the European Union Restriction on the use of Hazardous Substances (RoHS) Directive, 2011/65/EC.

### 警告使用者:

這是甲類的資訊產品，在居住的環境中使用時，可能會造成頻干擾，在這種情況下，使用者會被要求採取某些適當的對策。

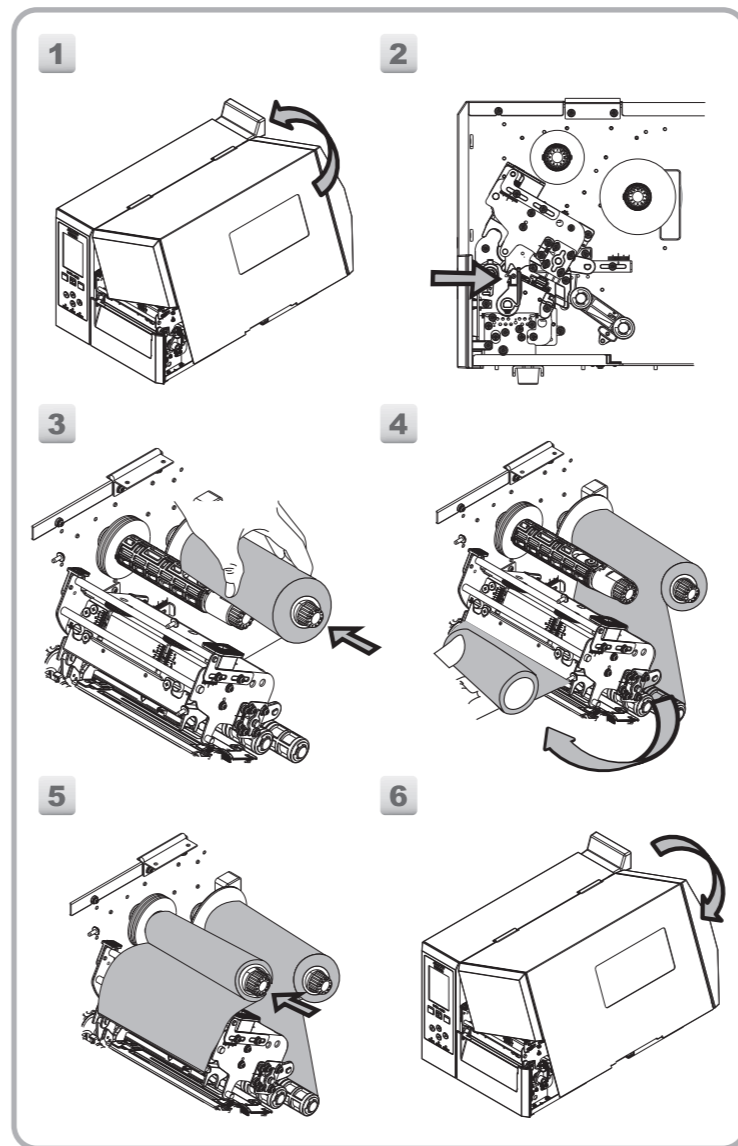
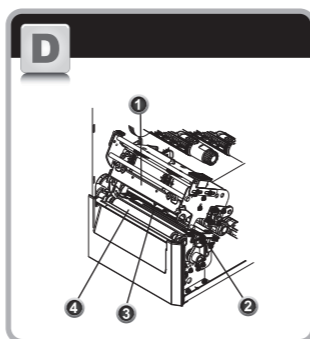
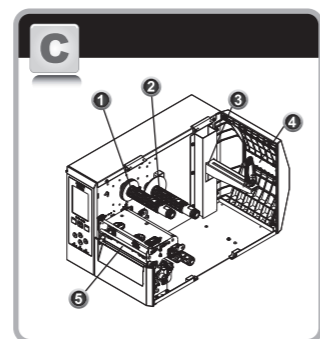
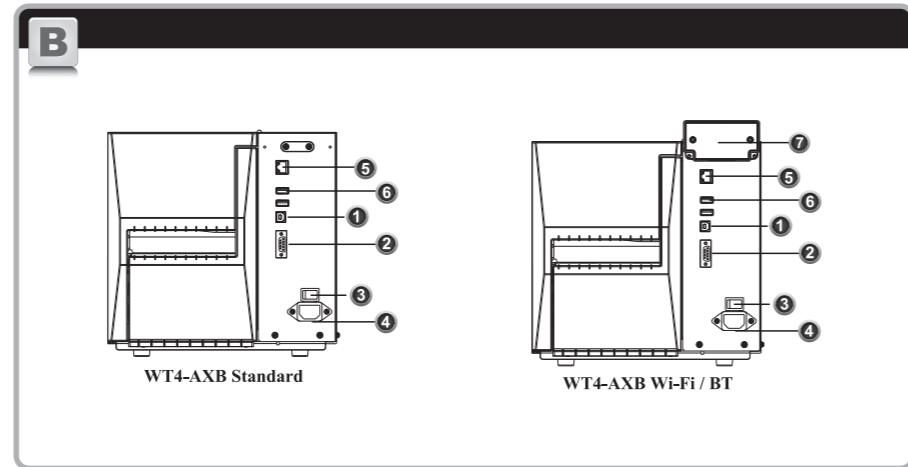
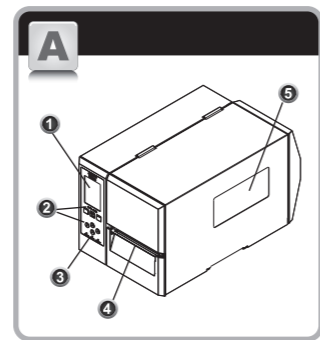
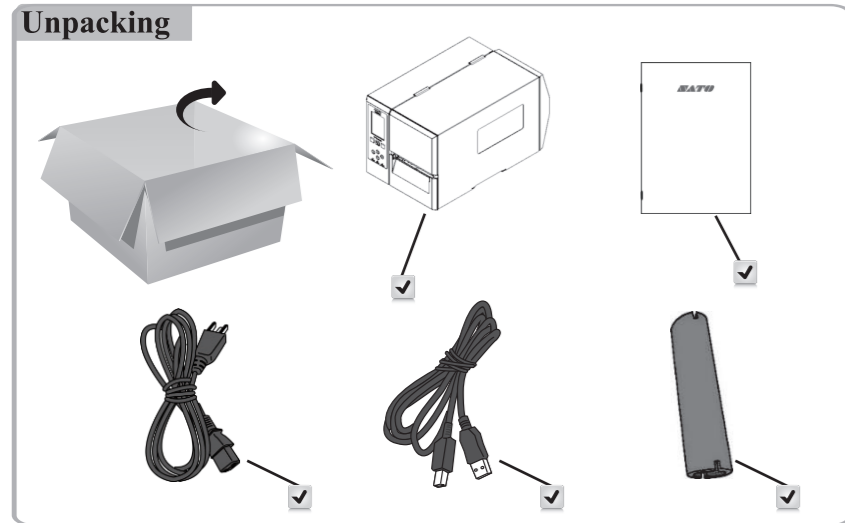
CAUTION: There is a risk of Explosion if an Incorrect Type of Battery is replaced. Dispose of Used Batteries According to the Instructions.

ATTENTION: Risque d'explosion si la batterie est remplacée par un type incorrect. Mettre au rebut les batteries usagées selon les instructions.

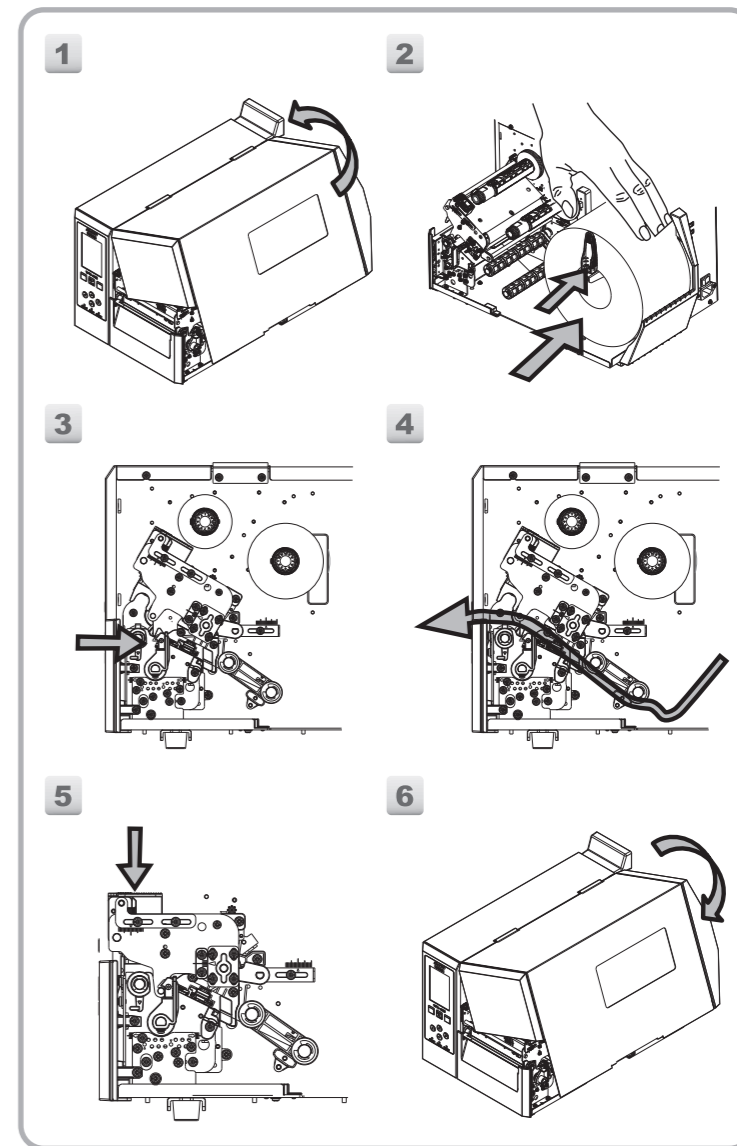
設備名稱： Equipment name	型號 (型式)：WT4-AXB Type designation (Type)					
	限用物質及其化學符號 Restricted substances and its chemical symbols					
單元 Unit	鉛Lead (Pb)	汞Mercury (Hg)	鎘Cadmium (Cd)	六價鉻 Hexavalent chromium (Cr <sup>6+</sup> )	多溴聯苯 Polybrominat ed biphenyls (PBB)	多溴二苯醚 Polybrominated diphenyl ethers (PBDE)
印刷電路 板組件	—	○	○	○	○	○
機殼	—	○	○	○	○	○
線材	○	○	○	○	○	○
變壓器	—	○	○	○	○	○
印字頭模組	—	○	○	○	○	○

WT4-AXB TT203, WT4-AXB TT300

English	繁體中文	简体中文	Español	Français	Deutsch
<b>-A-</b> 1 LCD Display Panel 2 Panel Control Buttons 3 LED Indicators 4 Front Access Door 5 Top Access Door	<b>-A-</b> 1 LCD 顯示面板 2 面板控制按鈕 3 LED 指示燈 4 前側擋板 5 上側擋板	<b>-A-</b> 1 液晶显示器 2 面板控制按钮 3 LED 指示灯 4 前侧挡板 5 上侧挡板	<b>-A-</b> 1 Pantalla LCD 2 Botones de Control del Panel 3 Indicadores LED 4 Acceso de la puerta delantera 5 Acceso de la puerta superior	<b>-A-</b> 1 Affichage LCD 2 Boutons de contrôle du panneau 3 Indicateurs LED 4 Panneau de devant 5 Panneau principal	<b>-A-</b> 1 LCD-Display 2 Bedienfeldtasten 3 LED-Anzeigen 4 Vordere Zugangsklappe 5 Obere Zugangsklappe
<b>-B-</b> 1 USB Type B 2 RS232 Serial 3 Power Switch (O=Off, I=On) 4 AC power connector 5 Ethernet 6 USB Type A 7 Wi-Fi/BT Module	<b>-B-</b> 1 USB 埠 Type B 2 RS232 串列埠 3 電源開關 (O=Off, I=On) 4 AC 電源連接器 5 乙太網路埠 6 USB 埠 Type A 7 Wi-Fi/BT模組	<b>-B-</b> 1 USB 端口 Type B 2 RS232 端口 3 电源开关 (O=Off, I=On) 4 AC 电源连接口 5 以太网端口 6 USB 端口 Type A 7 Wi-Fi/BT 模块	<b>-B-</b> 1 USB Type B 2 Serial RS232 3 Interruptor de encendido (O = Off, I = A) 4 Conector de alimentación AC 5 Ethernet 6 USB Type A 7 Módulo Wi-Fi/BT	<b>-B-</b> 1 USB Type B 2 Serial RS232 3 Power switch (O = Off, I = On) 4 Connecteur de pouvoir (AC) 5 Ethernet 6 USB Type A 7 Module Wi-Fi/BT	<b>-B-</b> 1 USB Type B 2 RS232 seriell 3 Netzschalter (O = AUS, I = An) 4 Netzteil-Anschluss 5 Ethernet 6 USB Type A 7 Wi-Fi/BT Modul
<b>-C-</b> 1 Ribbon Pick-up Spindle 2 Ribbon Supply Spindle 3 Media Supply Spindle 4 Feed Slot 5 Thermal Print Head	<b>-C-</b> 1 碳帶回收輪 2 碳帶供應輪 3 紙供應軸 4 送紙槽 5 印字頭	<b>-C-</b> 1 碳带回收轴 2 碳带供应轴 3 纸供应轴 4 进纸槽 5 打印头	<b>-C-</b> 1 Eje adopcion ribbon 2 Suministro de Ribbon 3 Soporte para suministro de papel 4 Ranura de Alimentacion 5 Cabezal Termica	<b>-C-</b> 1 Fuseau de Ruban reprise 2 Fuseau de Provision de Ruban 3 Papier de rouleau de support 4 Support pour provision de papier 5 Tête d'Empreinte Thermique	<b>-C-</b> 1 Karbonbanda ufnahmespindel 2 Mediaspindel 3 Karbonbandabrollspindel 4 Etikettenrollenhalter 5 Vorschub Slot 5 Thermo Druckkopf
<b>-D-</b> 1 Thermal Print Head 2 Head Latch 3 Media Sensor 4 Platen Roller	<b>-D-</b> 1 印字頭 2 卡箍扣 3 紙張感測器 4 滾輪	<b>-D-</b> 1 打印头 2 卡扣 3 纸张传感器 4 滚轮	<b>-D-</b> 1 Cabezal Termica 2 Cierre 3 Guía de Papel 4 Rodillo arrastre	<b>-D-</b> 1 Tête d'Empreinte Thermique 2 Verrou de tête 3 Guide de Capteur de Papier 4 Rouleau	<b>-D-</b> 1 Thermal Druckkopf 2 Sperrengig 3 Etikettenführung 4 Andruckrolle
Português	Italia	Türkçe	Русский	Bahasa Indonesia	
<b>-A-</b> 1 Display LCD 2 Botões de Controle do Painel 3 Indicadores de LED 4 Porta de acesso fronteiro 5 Porta de acesso acima	<b>-A-</b> 1 Display LCD 2 Pulsanti di Controllo del Pannello 3 Indicatori di LED 4 Pannello accesso frontale 5 Pannello accesso principale	<b>-A-</b> 1 LCD ekran 2 Panel Kontrol Düğmeleri 3 Светодиодные индикаторы (LED) 4 Ön giriş kapağı 5 Üst giriş kapağı	<b>-A-</b> 1 LCD дисплей 2 Кнопки управления панелью 3 Светодиодные индикаторы (LED) 4 Передняя крышка 5 Верхняя крышка	<b>-A-</b> 1 Layer LCD 2 Tombol Kontrol Panel 3 Indikator LED 4 Depan Pintu Akses 5 Atas Pintu Akses	
<b>-B-</b> 1 USB Type B 2 Sérial RS232 3 Interruptor (O= Desligar, I = Ligar) 4 Corrente de Adaptador. 5 Ethernet 6 USB Type A 7 Módulo Wi-Fi/BT	<b>-B-</b> 1 USB Type B 2 Seriale RS232 3 Interruttore accensione (O = Off, I = On) 4 Connettore di alimentazione AC 5 Ethernet 6 USB Type A 7 Modulo Wi-Fi/BT	<b>-B-</b> 1 USB girişi B tipi 2 Seri Port Girişi 3 Açma/Kapatma Düğmesi 4 Adaptör Girişi 5 Ethernet Girişi 6 USB girişi A tipi 7 Modulo Wi-Fi/BT	<b>-B-</b> 1 Порт USB типа B 2 Порт RS-232 3 Кнопка включения (O=выключено, I=включено) 4 Разъем подключения электропитания (сетевого кабеля) 5 Порт Ethernet 6 Порт USB типа A 7 Модуль Wi-Fi/BT	<b>-B-</b> 1 USB Type B 2 Serial 3 Saklar Power (O=Mati, I=Hidup) 4 Konektor Power AC 5 Ethernet 6 USB Type A 7 Modul Wi-Fi/BT	
<b>-C-</b> 1 Enrolador de Filme 2 Suporte do rolo de filme 3 Suporte do rolo de papel 4 Abertura de entrada de papel 5 Cabeça de impressão	<b>-C-</b> 1 Supporto avvolgimento nastro carbografico 2 Supporto svolgimento nastro carbografico 3 Supporto rotolo carta 4 Sportello posteriore 5 Testina Termica	<b>-C-</b> 1 Ribon toplama tutamacı 2 Ribon kaynağı tutamacı 3 Etiket kaynağı çubuğu 4 Harici Etiket Besleme Yuvası 5 Termal Kafa	<b>-C-</b> 1 Ось приемной катушки ленты 2 Ось катушки подачи ленты 3 Ось катушки подачи этикеток 4 Лоток подачи ленты 5 Печатающая головка	<b>-C-</b> 1 Kumparan Pengangkat Pita/Ribon 2 Kumparan Pemasuk Pita/Ribon 3 Kumparan Pemasuk Media/Bahan 4 Slot Maju 5 Print Head Thermal	
<b>-D-</b> 1 Cabeça de impressão 2 Trinco 3 Guia do papel 4 Rolo de tração	<b>-D-</b> 1 Testina Termica 2 Chiusura Testina 3 Sensore Guida Carta 4 Rullo stampa	<b>-D-</b> 1 Termal Kafa 2 Kafa mandalı 3 Etiket sensör tutamacı 4 Kauçuk silindir	<b>-D-</b> 1 Печатающая головка 2 Защелка печатающего механизма 3 Направляющая датчика этикетки 4 Прижимной вал	<b>-D-</b> 1 Print Head Thermal 2 Kepala Kait 3 Panduan Sensor Kertas 4 Penggulung Kertas	



Loading Ribbon  
 碳帶安裝  
 碳帶安裝  
 Instalación de cinta  
 Chargement de ruban  
 Laden des druckbandes  
 Instalação de ribbon  
 Caricamento nastro  
 Ribon takma  
 Установка риббона  
 Pasang Pita/Ribbon  
 Ribon Takma



Loading Media  
 紙捲安裝  
 紙卷安裝  
 Instalación de papel  
 Chargement de papier  
 Laden des labelmaterials  
 Instalação de etiquetas  
 Caricamento carta  
 Baskı malzemesini takma  
 Установка этикет-ленты  
 Pasang Bahan/Media  
 Etiket Takma

### Product Information Download

Drivers, manuals, tools, label software etc

#### North America

[www.satoamerica.com](http://www.satoamerica.com)



[www.satoamerica.com/products/printers](http://www.satoamerica.com/products/printers)

#### South America

Argentina  
[www.satosudamerica.com](http://www.satosudamerica.com)



[www.satosudamerica.com/productos](http://www.satosudamerica.com/productos)

Brazil  
[www.satobrasil.com.br](http://www.satobrasil.com.br)



[www.satobrasil.com.br/download-e-softwares](http://www.satobrasil.com.br/download-e-softwares)

#### Europe

[www.satoeurope.com](http://www.satoeurope.com)



[www.satoeurope.com/resources](http://www.satoeurope.com/resources)

#### Asia Pacific

China  
[www.satochina.com](http://www.satochina.com)



[www.satochina.com/resources](http://www.satochina.com/resources)

Other Countries  
[www.satoasiapacific.com](http://www.satoasiapacific.com)



[satoasiapacific.com/resource-library/?cat=products-solutions#operator-manual](http://satoasiapacific.com/resource-library/?cat=products-solutions#operator-manual)