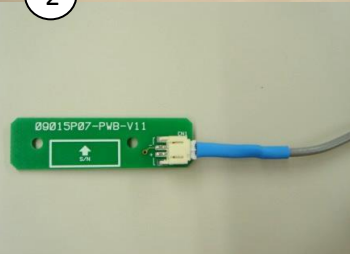
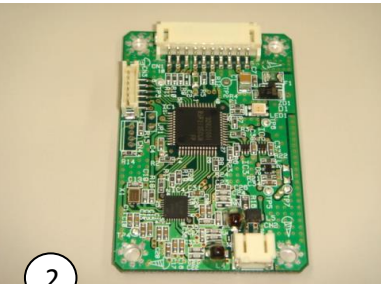
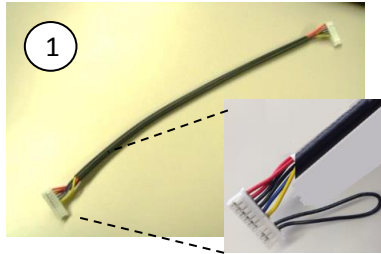


CL4NX HF RFID KIT SERVICE PARTS LIST

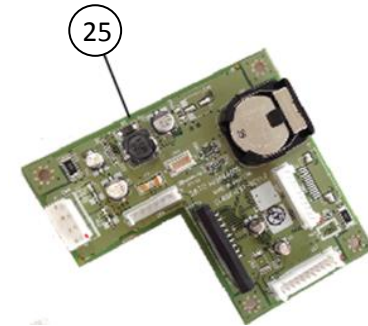
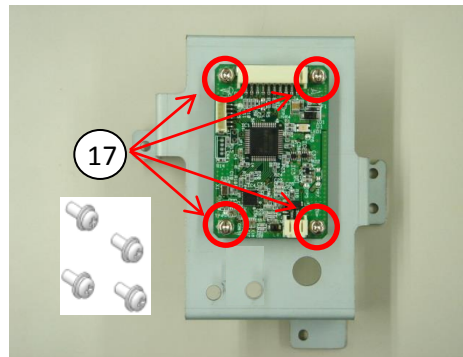
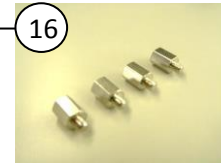
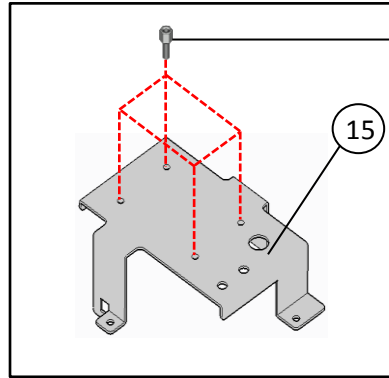


Create Date:

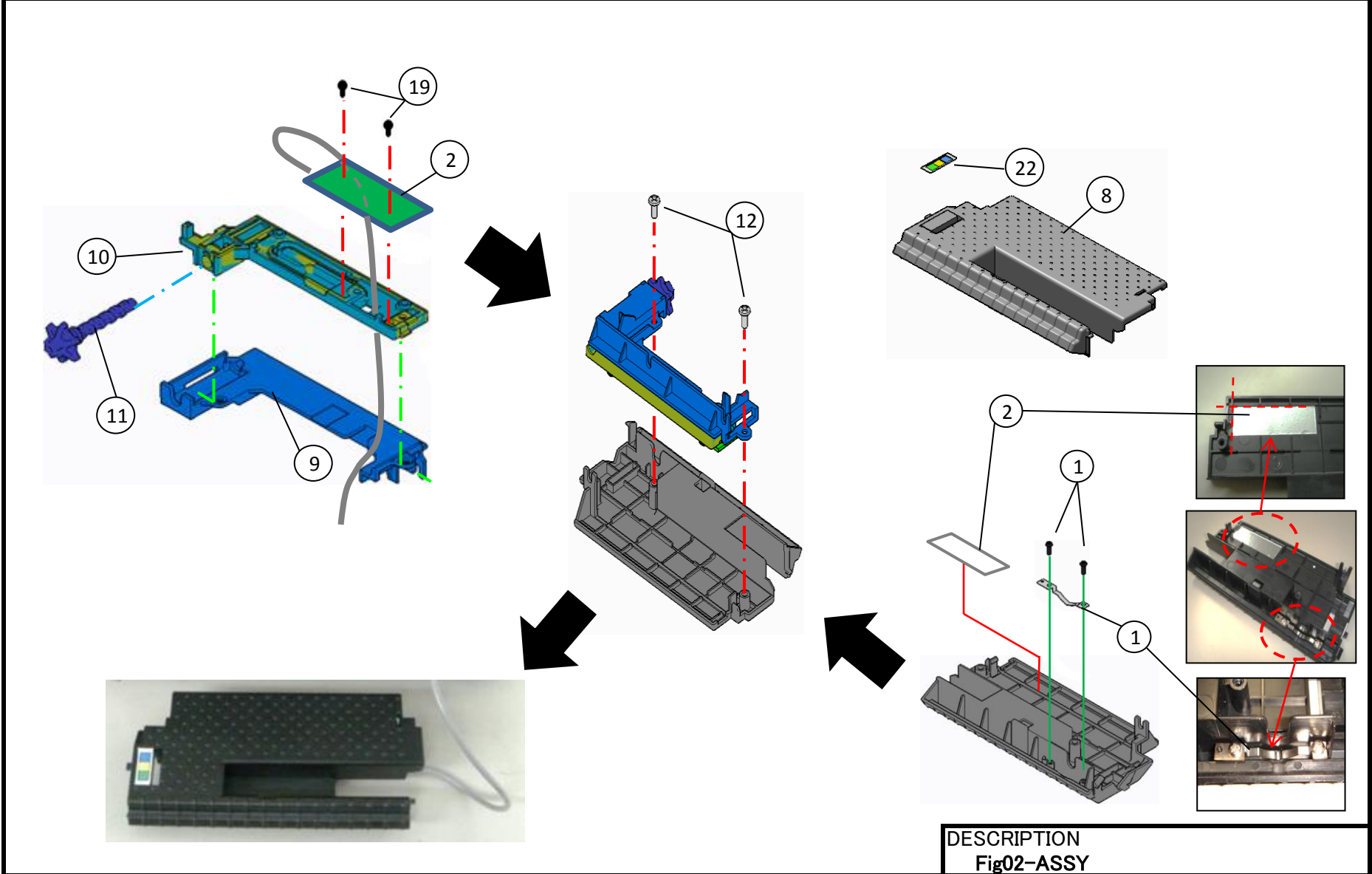
WWCL05T00



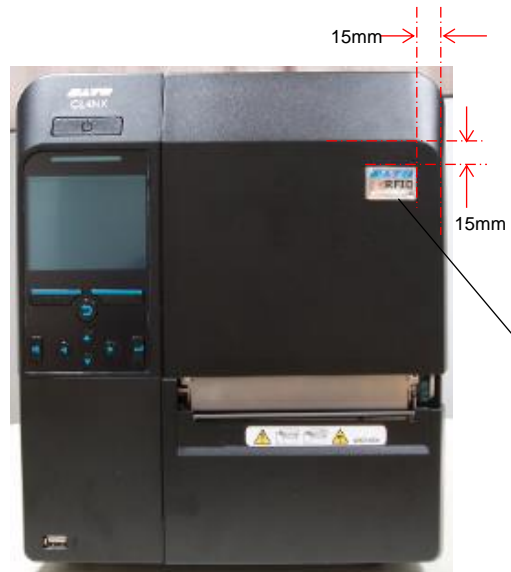
HF RFID-MODULE (TR3-C302)
&
ANTENNA (TR3-A302)



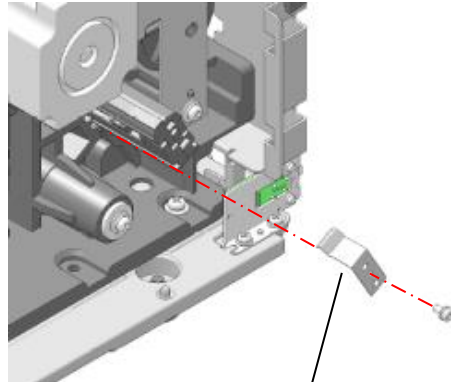
DESCRIPTION
Fig01-ASSY



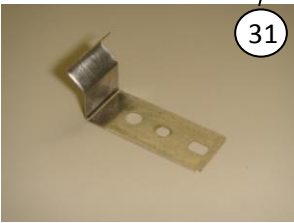
DESCRIPTION
Fig02-ASSY



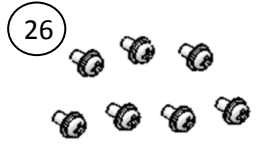
30



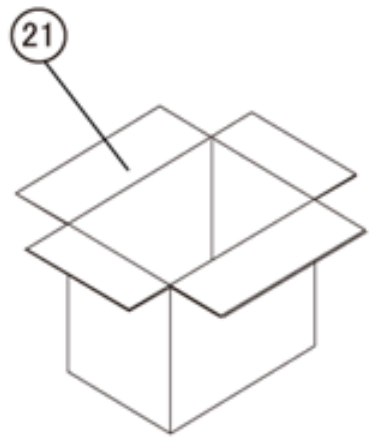
31



29



26



21

DESCRIPTION
Fig03-ASSY

CL4NX HF RFID KIT SERVICE PARTS LIST

DATE: 1 Apr,2016

NO	First_Code	Parts_No (REV.NO)	Description	NOTE
1	R29836000	R29836001	RFID SIGNAL CABLE SET(CL4NX)-LF	Fig1
2	F05033900	F05033900	HF RFID-MODULE (PCB & ANTENNA)	Fig1,Fig2
8	P55621000	P55621001	RFID MEDIA GUARD	Fig2
9	P55620000	P55620001	RFID ANT BR GUIDE	Fig2
10	P55623000	P55623000	RFID ANT BR TAKAYA	Fig2
11	P55624000	P55624000	RFID ANT AJ	Fig2
12	M16208000	MH2300822	BIND HEAD P TIGHT SCREW	Fig2
13	P55619000	P55619000	RFID ANT AJ SP	Fig2
14	MH2200622	MH2200622	BIND P TIGHT	Fig2
15	P55186000	P55186000	RFID MODULE BR	Fig1
16	P24161000	P24161000	SPACER(M3*L5)	Fig1
17	MD3300621	MD3300622	PAN HEAD SCREW+SW+WS	Fig1
19	PT9500200	PT9500200	NYLON RIVET	Fig2
21	Q00782000	Q00782000	CARTON CASE	Fig3
22	Q04293000	Q04293000	STICKER(COLOR)	Fig2
23	P56336000	P56336000	ALUMINUM FOIL TAPE	Fig2
25	R28518001	R28518004	CL4NX EXT PCB SET -LF	Fig1
26	MD4300621	MD4300622	PAN HEAD SCREW+SW+WL	Fig3
27	R28824000	R28824000	EXT SIGNAL CABLE SET-LF	Fig1
28	R28431000	R28431000	EXT POWER CABLE SET-LF	Fig1

CL4NX HF RFID KIT SERVICE PARTS LIST

DATE: 1 Apr,2016

NO	First_Code	Parts_No (REV.NO)	Description	NOTE
29	Q01832000	Q01832000	JAISA RFID STICKER	Fig3
30	Q01644000	Q01644000	SATO RFID SOLUTIONS STICKER	Fig3
31	P55627001	P55627002	SENSOR TENSION(RFID)	Fig3

Date	Ver	Note
2016/2/10	1.0	1st version