

## DR308e SERVICE PARTS LIST

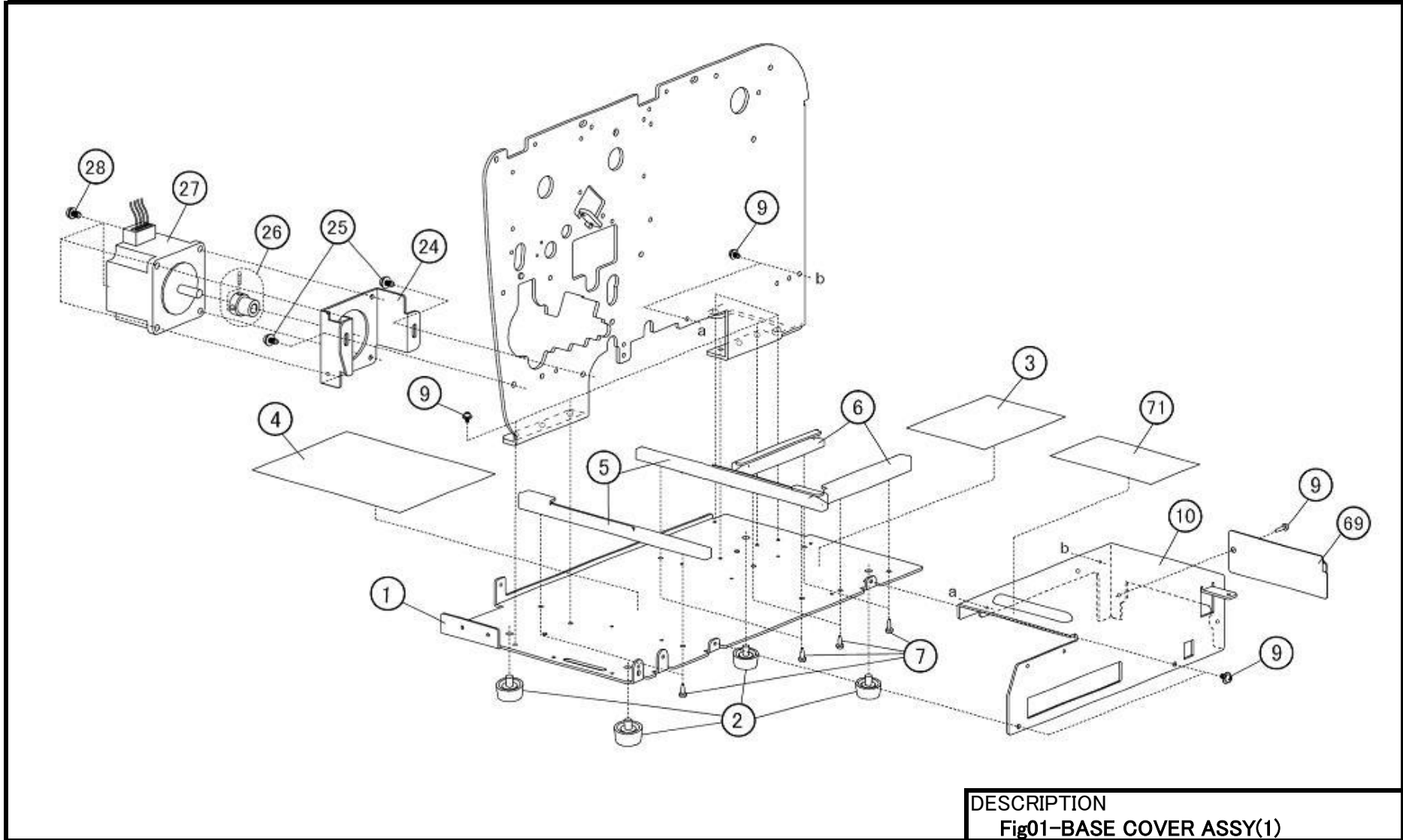


Create Date:

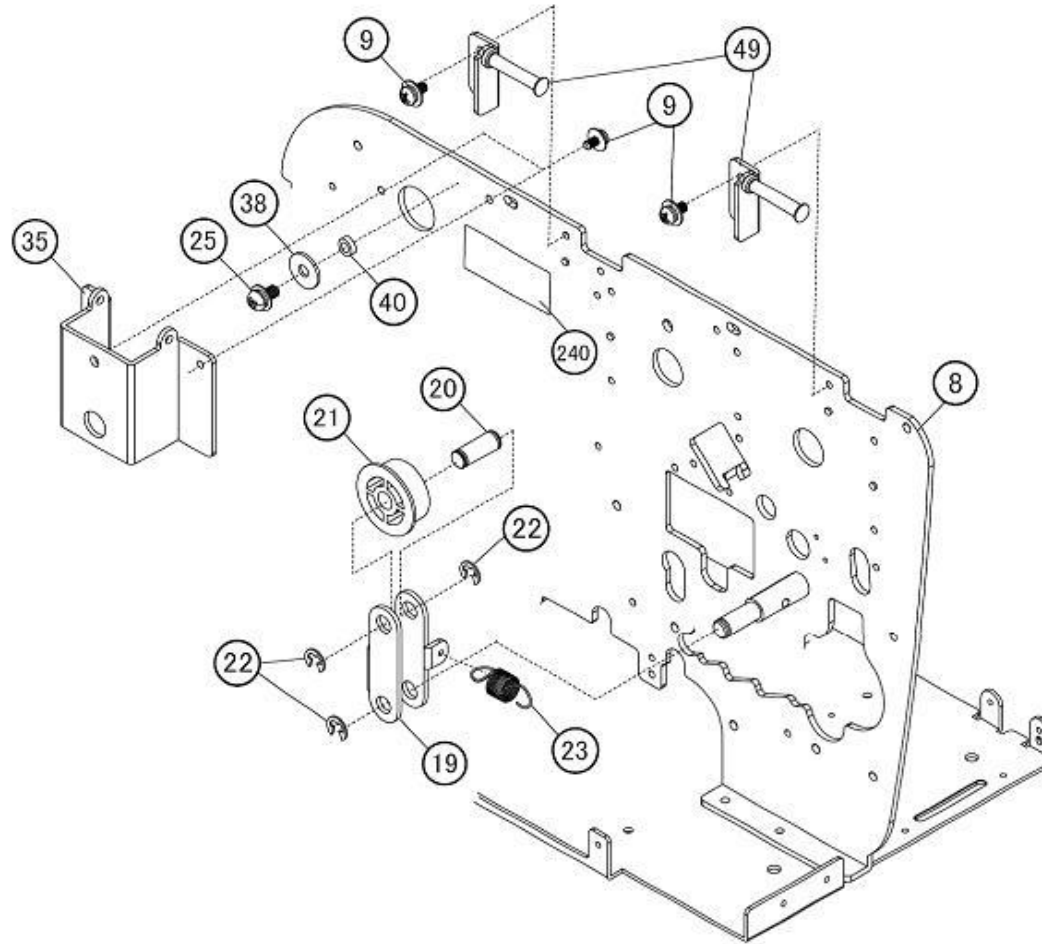
WWDR3000X

RV07-598

SATO CORPORATION . TOKYO. JAPAN

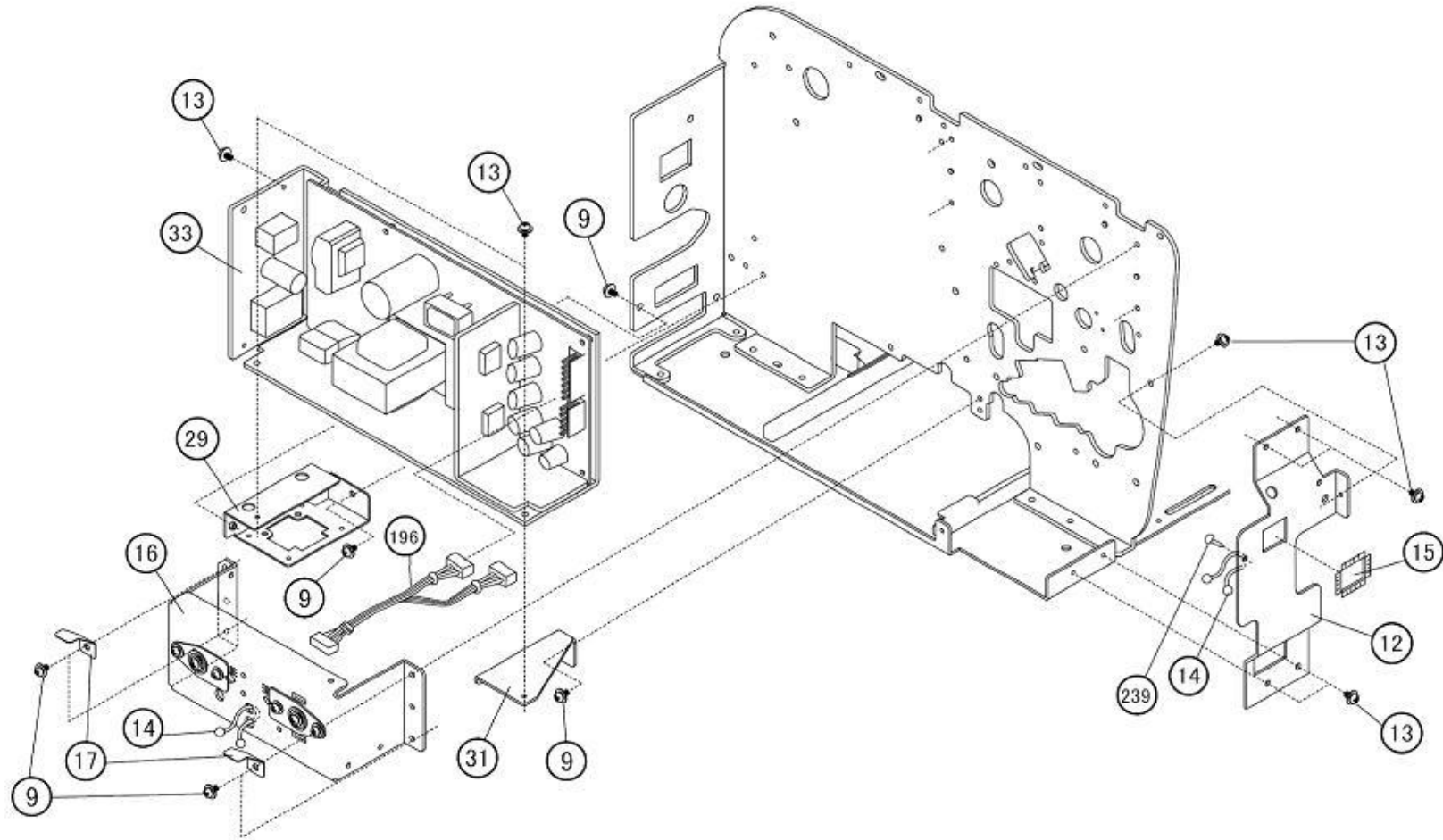


	First_Code	Description	Standard	Std_List Price	NOTE
1	P24259000	BASE FRAME			Fig01
2	PT6750100	RUBBER FOOT			Fig01
3	P29254000	SHEET(I/F)			Fig01
4	P29255000	SHEET(MAIN PCB)			Fig01
5	P25918001	GUIDE RAIL(MAIN PCB)			Fig01
6	P25917001	GUIDE RAIL(IF PCB)			Fig01
7	MH0300822	PAN HEAD P TIGHT SCREW			Fig01,04,06
9	MD4300622	PAN HEAD SCREW			Fig01,02,03,04,05,06,07,08,09
10	P24853000	SIDE FRAME R			Fig01
24	PA1753210	MOTOR BRACKET			Fig01
25	MD4401022	PAN HEAD SCREW			Fig01,02,08
26	PR7750100	MOTOR PULLEY			Fig01
27	K00244000	STEPPING MOTOR DR308e			Fig01/Recommended Spare parts
28	MD3401022	PAN HEAD SCREW+SW+WS			Fig01,08
69	P11136100	COVER(OP.I/F)			Fig01
71	PA0750301	COVER (FRAME)			Fig01



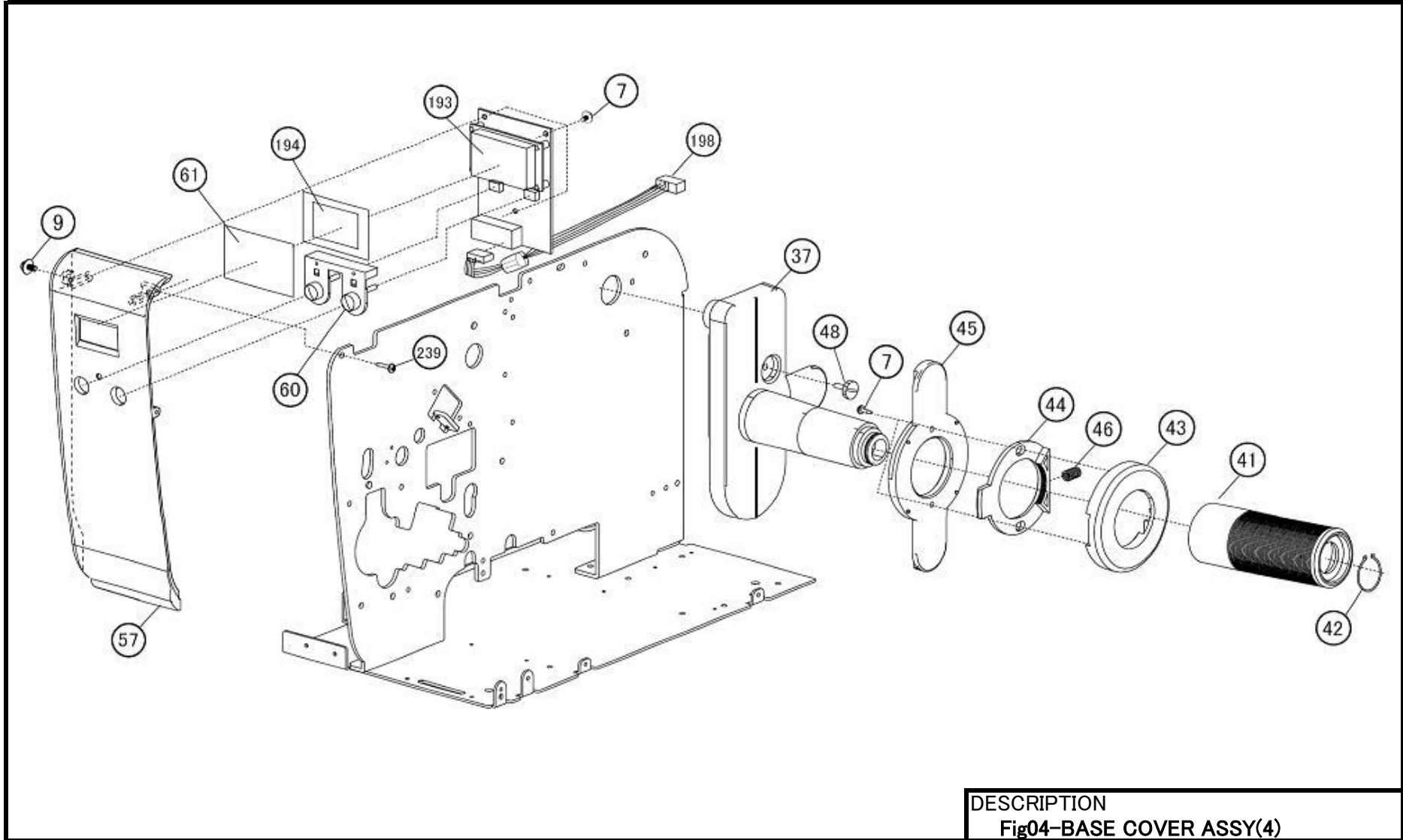
DESCRIPTION  
Fig02-BASE COVER ASSY(2)

	<b>First_Code</b>	<b>Description</b>	<b>Standard</b>	<b>Std_List Price</b>	<b>NOTE</b>
8	R10995010	CENTER FRAME SET			Fig02
9	MD4300622	PAN HEAD SCREW			Fig01,02,03,04,05,06,07,08,09
19	PA3741800	TENSION BRACKET			Fig02
20	PB0740900	TENSION ROLLER SHAFT			Fig02
21	PE3720100	TENSION ROLLER			Fig02
22	ND0040030	E SNAP RING			Fig02,06
23	PC0740100	TENSION SPRING			Fig02
25	MD4401022	PAN HEAD SCREW			Fig01,02,08
35	PA1751000	UNWIND BRACKET			Fig02
38	PA0750100	PLATE (UNWIND)			Fig02
40	NB0040022	SPRING WASHER			Fig02
49	R12047000	HINGE BR			Fig02
240	Q00982000	STICKER (REVISION)			Fig02



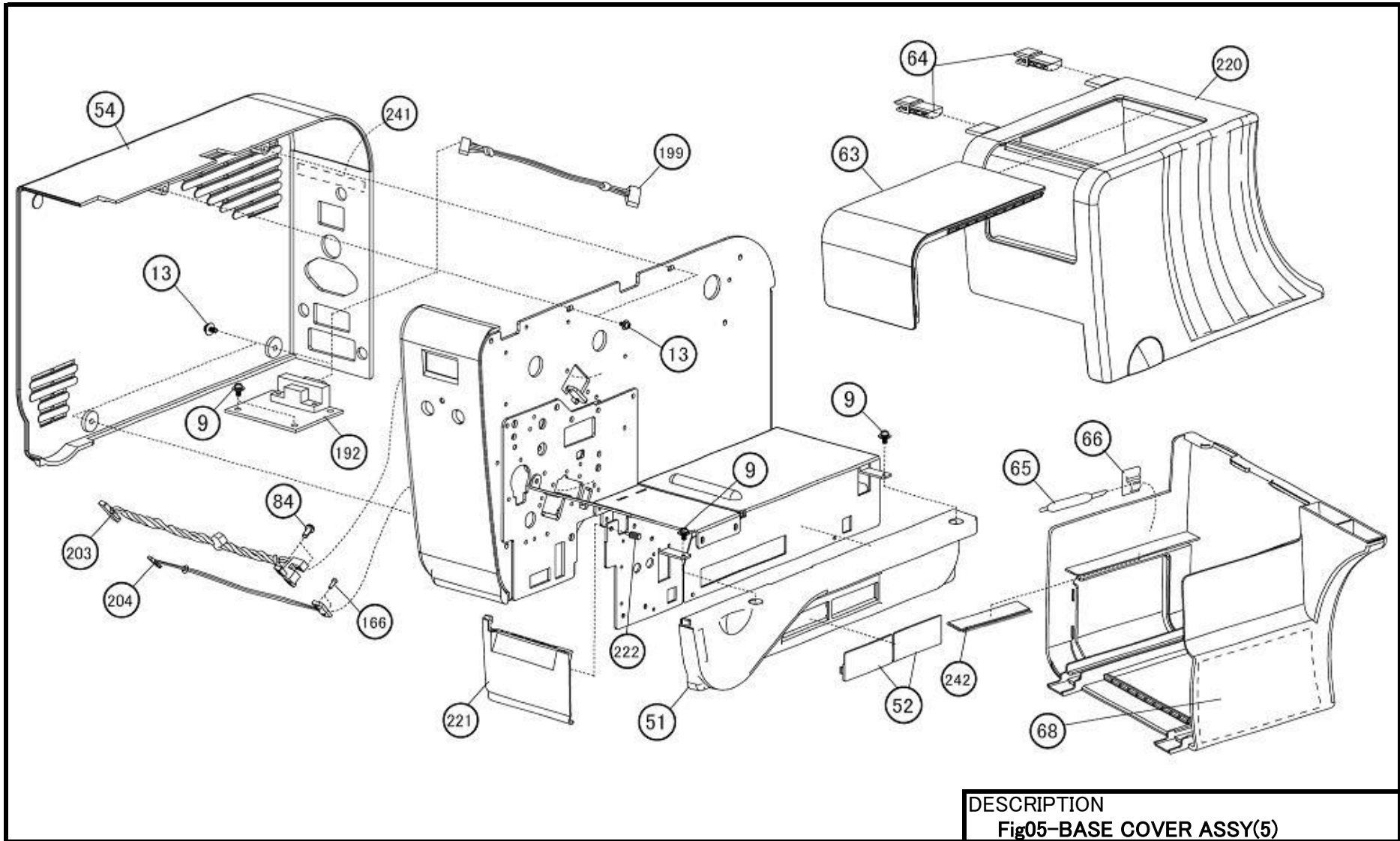
DESCRIPTION  
Fig03-BASE COVER ASSY(3)

	<b>First_Code</b>	<b>Description</b>	<b>Standard</b>	<b>Std_List Price</b>	<b>NOTE</b>
9	MD4300622	PAN HEAD SCREW			Fig01,02,03,04,05,06,07,08,09
12	PA1750902	SUPPORT PLATE			Fig03
13	MD4300825	PAN HEAD SCREW			Fig03,05,06
14	PT9750500	TWIST LOCK			Fig03,07
15	P29547000	BUSH(60)			Fig03
16	R10997000	RIBBON FRAME SET			Fig03
17	PA4750301	SPRING (COVER)			Fig03
29	P25325010	D-SUB PCB BR			Fig03
31	PA1753300	POWER SUPPLY BR(B)			Fig03
33	K00251000	POWER SUPPLY (Universal) DR308e			Fig03/Recommended Spare parts
196	R12387000	POWER & HEAD POWER CABLE SET			Fig03
239	MH0301222	P-TIGHT SCREW			Fig03,04,06

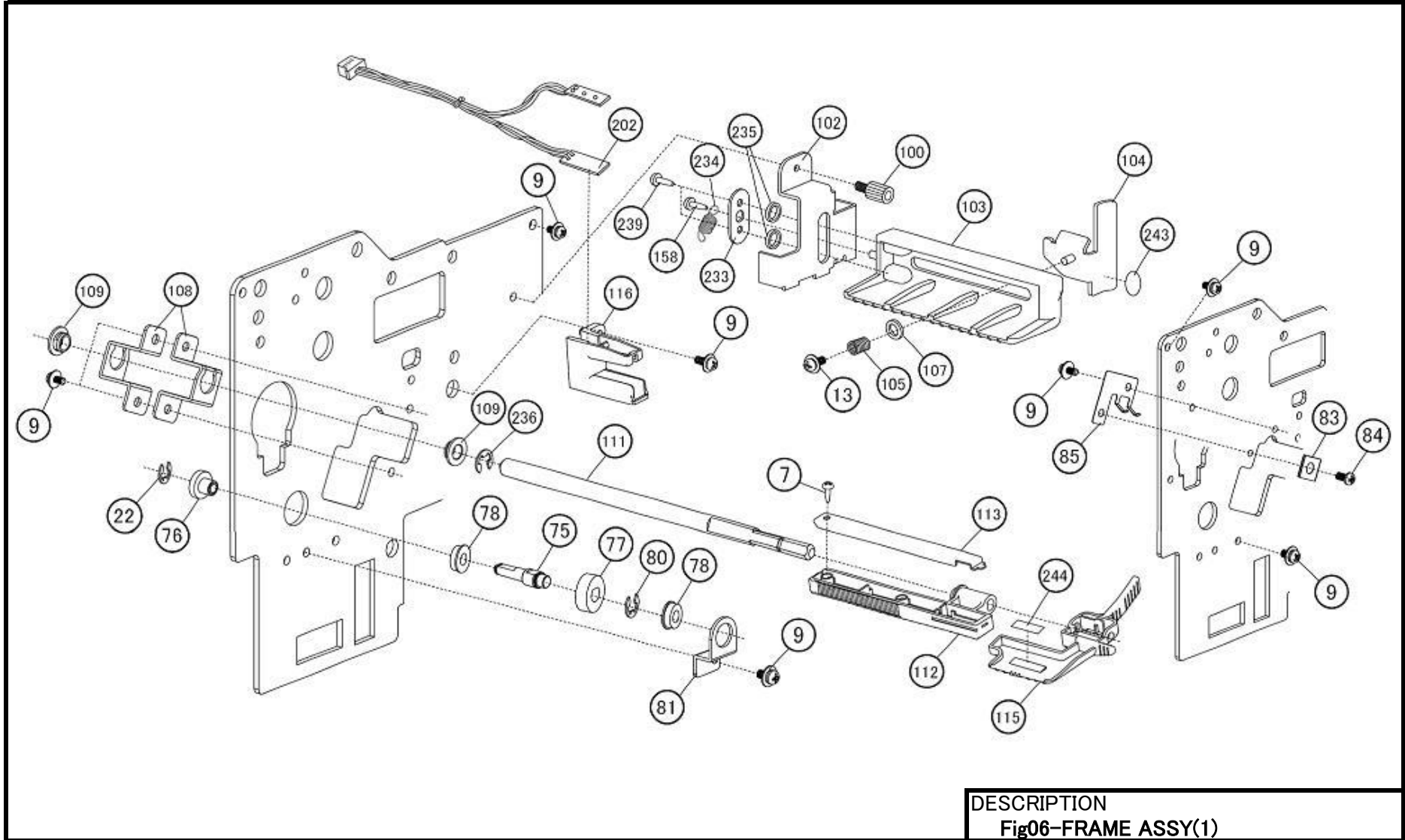




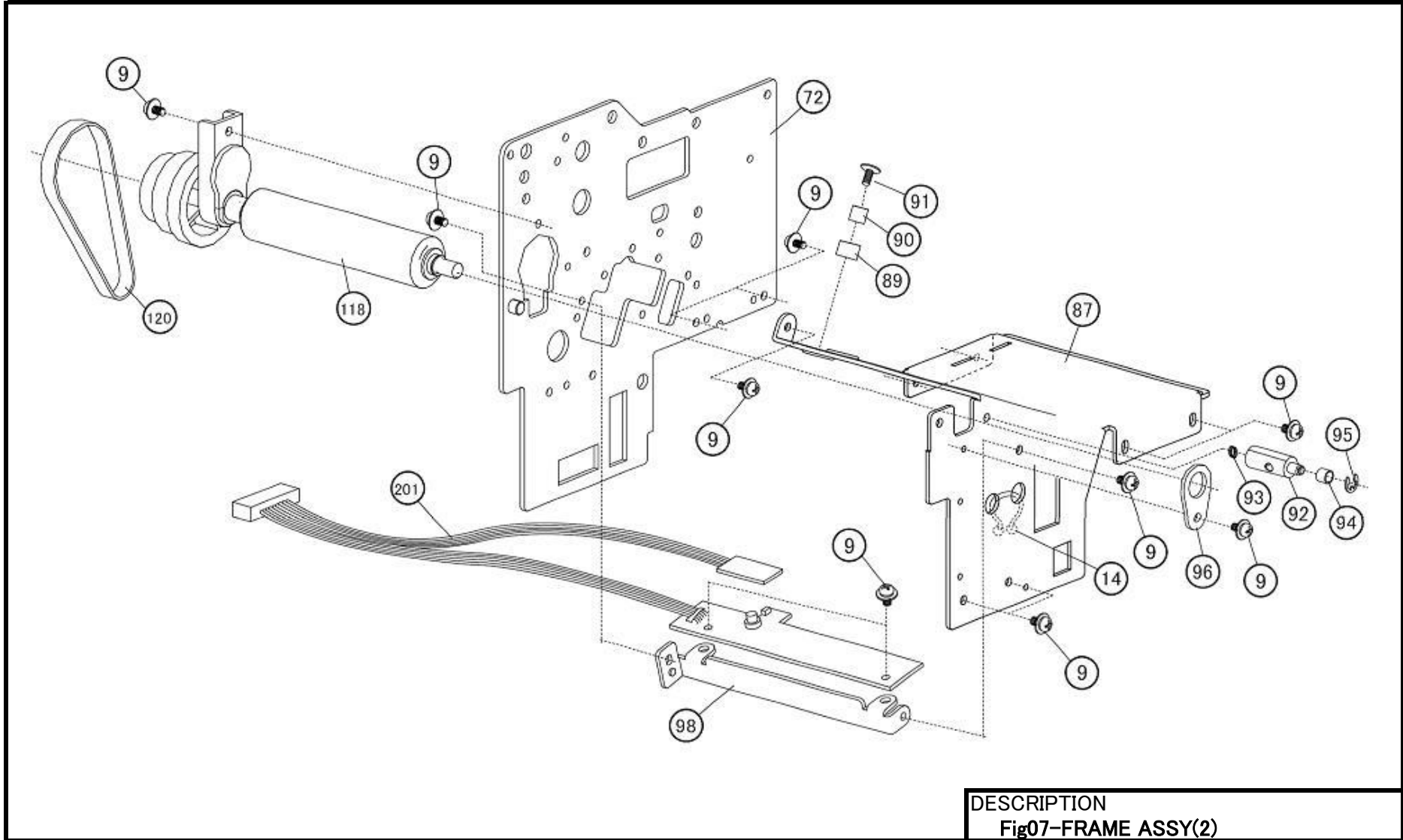
	First_Code	Description	Standard	Std_List Price	NOTE
7	MH0300822	PAN HEAD P TIGHT SCREW			Fig01,04,06
9	MD4300622	PAN HEAD SCREW			Fig01,02,03,04,05,06,07,08,09
37	PR2750201	GUIDE ARM			Fig04
41	PE6750300	BOSS			Fig04
42	ND3200024	C-SNAP RING			Fig04
43	PE6750400	GUIDE BOSS (A)			Fig04
44	PE6750500	GUIDE BOSS (B)			Fig04
45	PE6750600	GUIDE BOSS (C)			Fig04
46	PC1750100	SPRING (UNWIND)			Fig04
48	PV0600100	SCREW			Fig04
57	Q02125000	COVER FRONT(A)			Fig04
60	PE6750100	SWITCH BUTTON			Fig04
61	PE6750200	LCD PROTECTOR			Fig04
193	R12400010	KB PCB SUB ASSY-LF			Fig04/Recommended Spare parts
194	P30032000	SHEET(LCD)			Fig04
198	R12389000	KB CABLE SET-LF			Fig04
239	MH0301222	P-TIGHT SCREW			Fig03,04,06



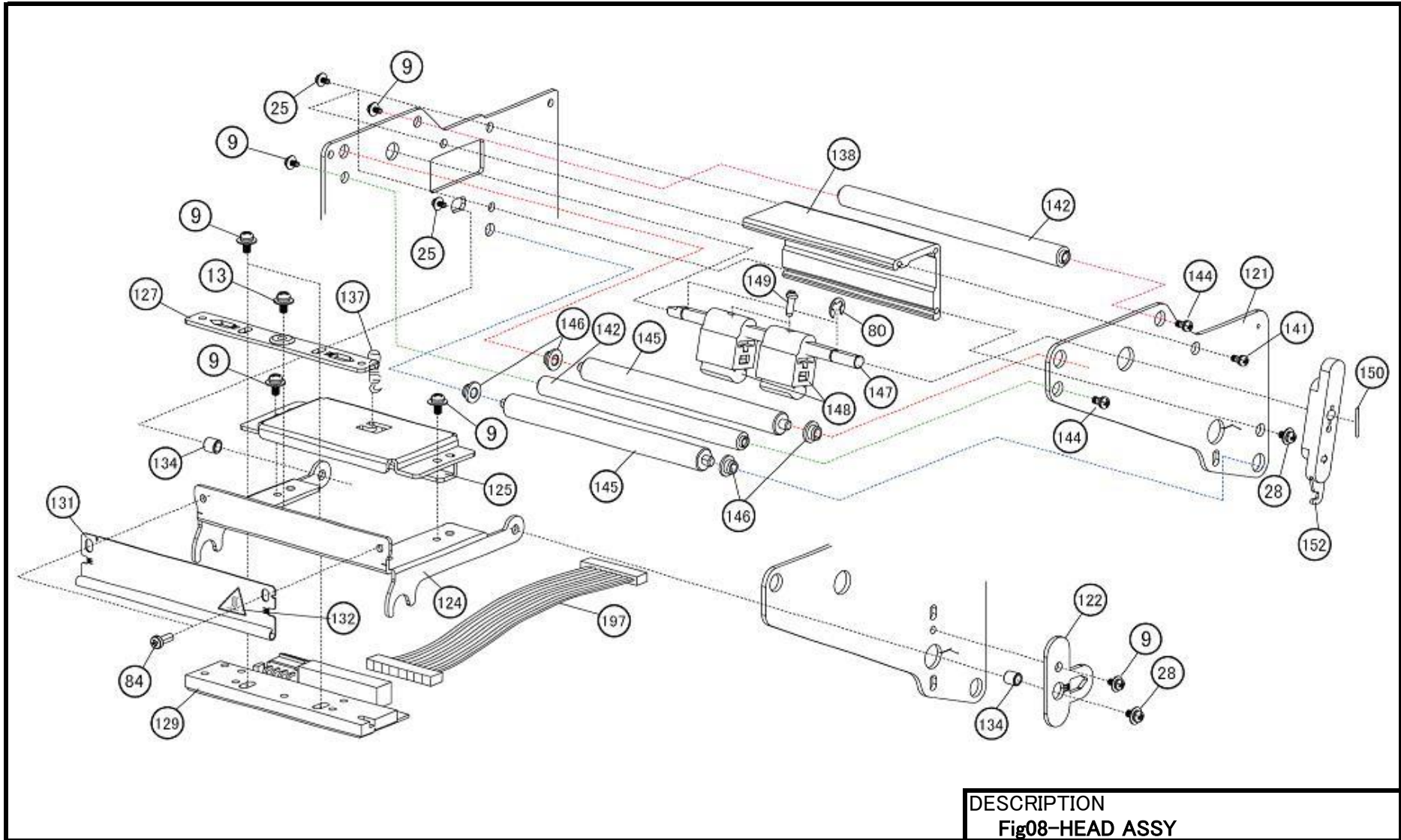
	First_Code	Description	Standard	Std_List Price	NOTE
9	MD4300622	PAN HEAD SCREW			Fig01,02,03,04,05,06,07,08,09
13	MD4300825	PAN HEAD SCREW			Fig03,05,06
51	P25916000	COVER RH(C)			Fig05
52	PE6751151	MAINTENANCE COVER			Fig05
54	R11625000	COVER LH SUB			Fig05
63	P26204001	WINDOW			Fig05
64	P26920010	HINGE(COVER)			Fig05
65	PE6A21900	MICRO DRIVER			Fig05
66	JG100441A	CKN CLAMP			Fig05
68	Q02149001	STICKER (ROUTE) DR308e			Fig05
84	MA0300622	SCREW(01.M3X6)			Fig05,06,08
166	MD3201222	PAN HEAD SCREW+SW+WS			Fig05,09
192	R12579000	SID-CON PCB SET-LF			Fig05/Recommended Spare parts
199	R12390000	SID CABLE SET-LF			Fig05
203	R12397000	RIBBON SENSOR CABLE SET-LF			Fig05/Recommended Spare parts
204	R12398000	HEAD OPEN SENSOR CABLE SET-LF			Fig05/Recommended Spare parts
220	P25915000	COVER RH(A)			Fig05
221	PR2750350	COVER FRONT (B)			Fig05
222	PB5691601	THERMOMETAL SCREW			Fig05
241	Q02196000	STICKER(CABLE)			Fig05
242	PR8850300	S.E.BRUSH SET			Fig05



	First_Code	Description	Standard	Std_List Price	NOTE
7	MH0300822	PAN HEAD P TIGHT SCREW			Fig01,04,06
9	MD4300622	PAN HEAD SCREW			Fig01,02,03,04,05,06,07,08,09
13	MD4300825	PAN HEAD SCREW			Fig03,05,06
22	ND0040030	E SNAP RING			Fig02,06
75	PB0751000	SHAFT (IDLE)			Fig06
76	PE8750200	GEAR (1*16)			Fig06
77	PE8750300	GEAR (1*16)			Fig06
78	PT1112060	BALL BEARING			Fig06,09
80	ND0060030	E RING			Fig06,08
81	PA1750850	DISPENSE BRACKET			Fig06
83	PA4750401	PLATE SPRING (A)			Fig06
84	MA0300622	SCREW(01.M3X6)			Fig05,06,08
85	PA4750800	PLATE SPRING (C)			Fig06
100	PR7751000	KNOB			Fig06
102	PA1752501	PAPER GUIDE (SIDE)			Fig06
103	PE1750751	PAPER GUIDE SHAFT			Fig06
104	R11994000	SLIDE GUIDE SET			Fig06
105	PC1010200	SPRING			Fig06
107	NA0050022	PLAIN WASHER			Fig06
108	PA1752950	PLATE (SLIDE SHAFT)			Fig06
109	PE2750200	COLLAR			Fig06
111	P25981000	SHAFT(SLIDE)			Fig06
112	PE1750900	SENSOR BRACKET (TOP)			Fig06
113	PA1753050	COVER PLATE			Fig06
115	PE1751050	PAPER GUIDE			Fig06
116	PR4750800	SENSOR BRACKET(JUMP)			Fig06
158	MH0300522	PAN HEAD P TIGHT SCREW			Fig06,09
202	R12395001	JUMP HOLE SENSOR CABLE SET-LF			Fig06/Recommended Spare parts
233	P29010020	PLATE(DAMPER)			Fig06
234	P29316000	SPRING(DAMPER)			Fig06
235	P00906000	POLY SLIDER			Fig06
236	ND0030030	E SNAP RING			Fig06
239	MH0301222	P-TIGHT SCREW			Fig03,04,06
243	Q02127010	STICKER (PURPLE)			Fig06
244	Q02128000	STICKER (GUIDE)			Fig06

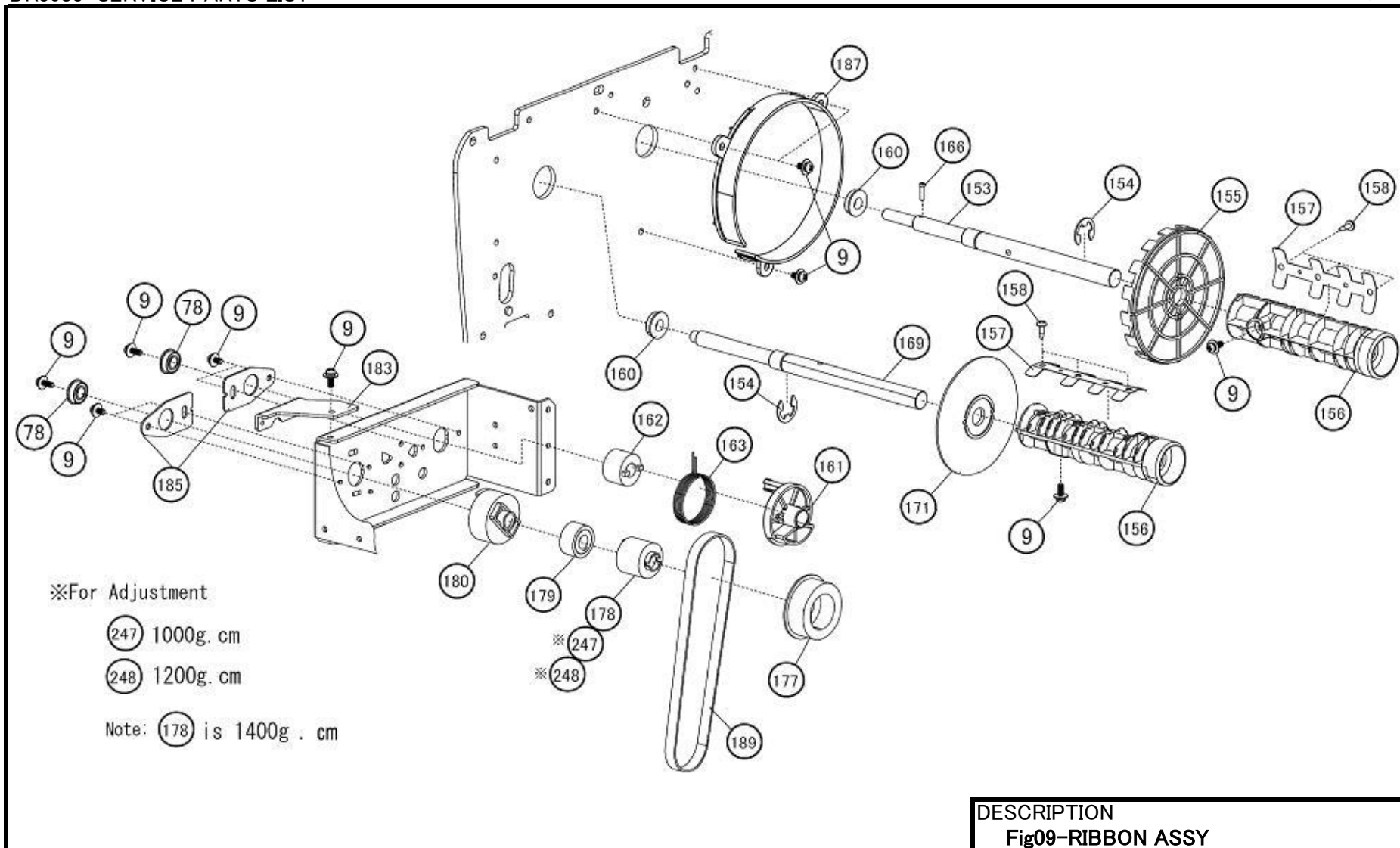


	First_Code	Description	Standard	Std_List Price	NOTE
9	MD4300622	PAN HEAD SCREW			Fig01,02,03,04,05,06,07,08,09
14	PT9750500	TWIST LOCK			Fig03,07
72	R11652010	ENGINE FRAME SET			Fig07
87	R11628011	SIDE FRAME (F)			Fig07
89	PE3720300	ROLLER			Fig07
90	PB2740100	COLLAR			Fig07
91	MJ9300822	THIN HEAD SCREW			Fig07
92	P25903001	POST(LATCH)			Fig07
93	MJ1401228	SCREW(11.M4X12)			Fig07
94	P25943000	COLLAR(LOCK)			Fig07
95	ND0020030	E SNAP RING			Fig07
96	PA1770850	SUPPORTER CLAMP(B)			Fig07
98	PA1750550	PCB BRACKET			Fig07
118	R11771000	PLATEN ROLLER SUB DR308e			Fig07/Recommended Spare parts
120	PT8090064	TIMING BELT			Fig07/Recommended Spare parts
201	R12393000	IM/GAP SENSOR CABLE SET-LF			Fig07/Recommended Spare parts

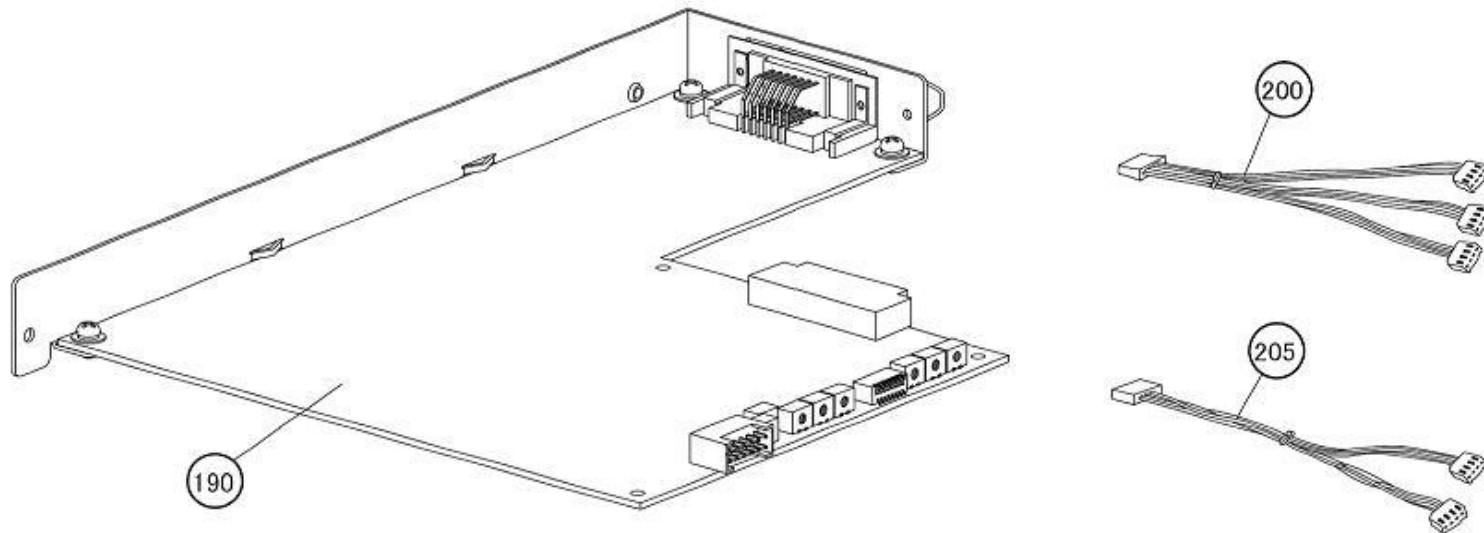




	First_Code	Description	Standard	Std_List Price	NOTE
9	MD4300622	PAN HEAD SCREW			Fig01,02,03,04,05,06,07,08,09
25	MD4401022	PAN HEAD SCREW			Fig01,02,08
28	MD3401022	PAN HEAD SCREW+SW+WS			Fig01,08
80	ND0060030	E RING			Fig06,08
84	MA0300622	SCREW(01.M3X6)			Fig05,06,08
121	P24261010	HEAD FRAME			Fig08
122	P25983000	HEAD BALANCE PLATE			Fig08
124	P24260020	HEAD BR			Fig08
125	P24848000	HEAD SUB BR			Fig08
127	R11239000	ADJUST PLATE SET			Fig08
129	G00263000	PRINT HEAD (8 DPMM) DR308e			Fig08/Recommended Spare parts
131	PA1751410	PLATE(RIBBON ADJUST)			Fig08
132	QC6524200	STICKER(CAUTION HOT)			Fig08
134	P24263000	COLLAR (4*6*6)			Fig08
137	P28077000	SPRING(OPEN)			Fig08
138	PD1750101	STAY			Fig08
141	MA7401022	SCREW(03.M4X10)			Fig08
142	PB0750700	SHAFT(SUPPORT)			Fig08
144	MA2300622	SCREW(99.M3X6)			Fig08
145	PB0750800	ROLLER			Fig08
146	PE2750100	COLLAR			Fig08
147	P27246000	SHAFT(HEAD PRESSURE)			Fig08
148	PR7750302	HEAD PRESSURE SET			Fig08
149	MD4401021	PAN HEAD SCREW			Fig08
150	NG2201230	PIN			Fig08
152	PR2770151	LATCH HANDLE			Fig08
197	R12388001	HDS CABLE SET-LF			Fig08

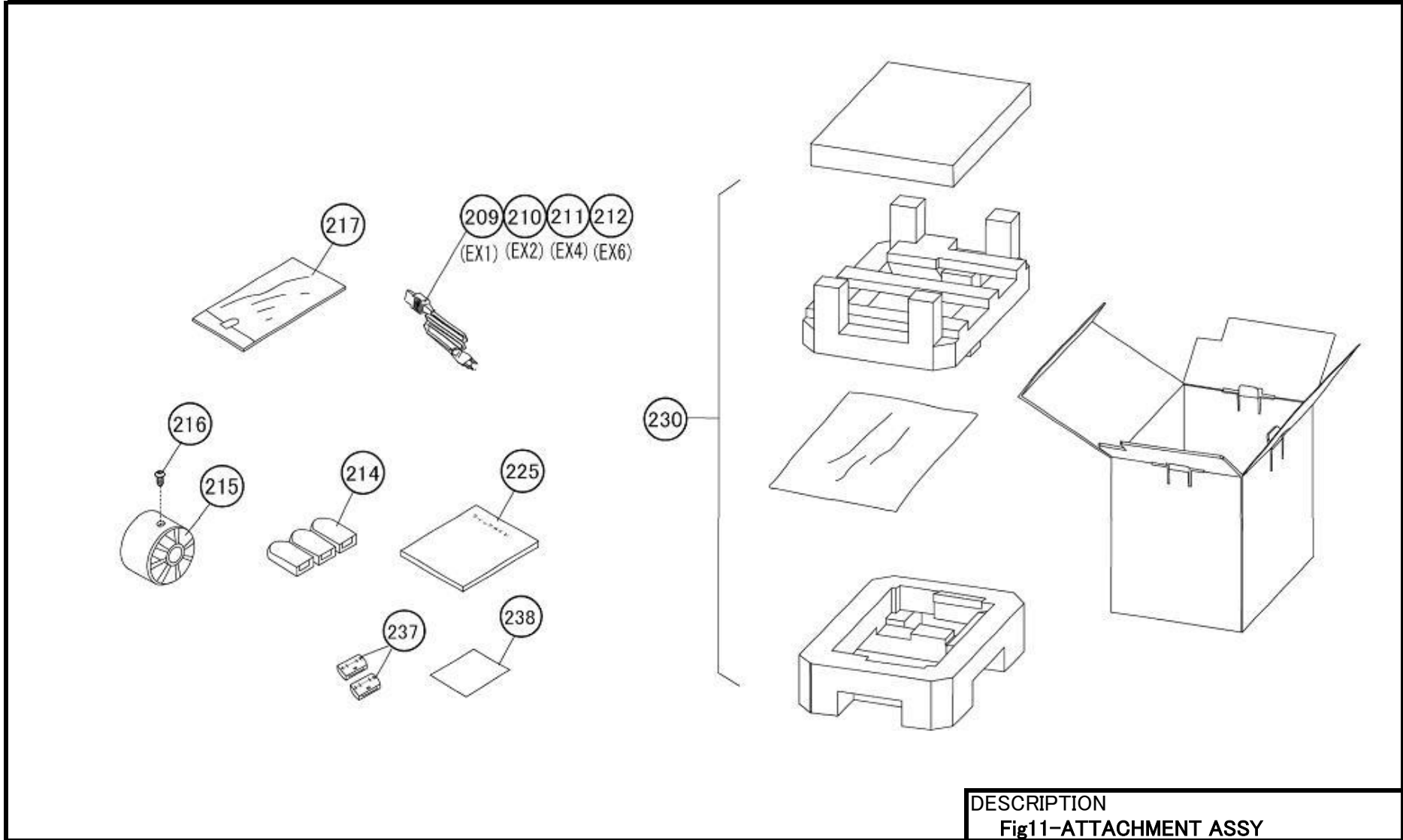


	First_Code	Description	Standard	Std_List Price	NOTE
9	MD4300622	PAN HEAD SCREW			Fig01,02,03,04,05,06,07,08,09
78	PT1112060	BALL BEARING			Fig06,09
153	P24270000	RIBBON SHAFT(B)			Fig09
154	ND0080022	E-SNAP RING			Fig09
155	PE7720150	DISK PLATE(A)			Fig09
156	P26515030	RIBBON BOSS			Fig09
157	P26423010	SPRING(RIBBON BOSS)			Fig09
158	MH0300522	PAN HEAD P TIGHT SCREW			Fig06,09
160	P15601000	BEARING			Fig09
161	P11280010	BF STOPPER			Fig09
162	P00180000	TORQUE LIMITER			Fig09/Recommended Spare parts
163	P27567000	BF SPRING(500)			Fig09
166	MD3201222	PAN HEAD SCREW+SW+WS			Fig05,09
169	P24271000	RIBBON SHAFT(A)			Fig09
171	PE1751250	GUIDE PLATE			Fig09
177	P24266010	PULLEY(50)			Fig09
178	P10897000	TORQUE LIMITER			Fig09/Recommended Spare parts
179	P11461000	ONEWAY CLUTCH			Fig09/Recommended Spare parts
180	P00170000	ONE-WAY LIMITTER			Fig09/Recommended Spare parts
183	PA1750100	COVER BRACKET (A)			Fig09
185	PA1771700	ADJUST PLATE			Fig09
187	PE6751550	DISK PLATE COVER			Fig09
189	PT8150064	TIMING BELT			Fig09/Recommended Spare parts
247	PT9A60400	TORQUE LIMITTER			Fig09/For Adjustment
248	P30322000	TORQUE LIMITTER			Fig09/For Adjustment



DESCRIPTION
Fig10-CONT PCB ASSY

	<b>First_Code</b>	<b>Description</b>	<b>Standard</b>	<b>Std_List Price</b>	<b>NOTE</b>
190	R12898000	Main PCB DR308e			Fig10/Recommended Spare parts
200	R12392000	SENSOR CABLE SET-LF			Fig10
205	R12399000	OPTION CABLE SET-LF			Fig10

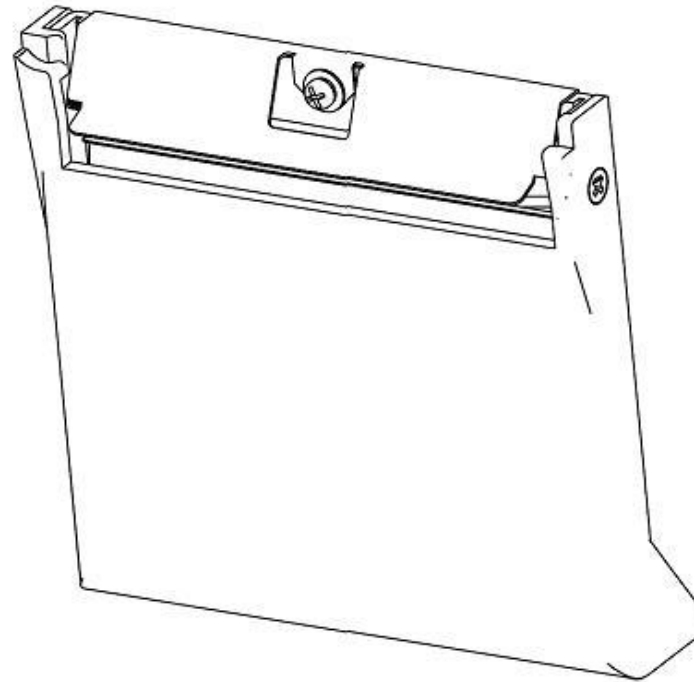


	First_Code	Description	Standard	Std_List Price	NOTE
209	H00878000	POWER CORD (EX1)			Fig11
210	H00879000	POWER CORD (EX2)			Fig11
211	H00880000	POWER CORD (EX 4)			Fig11
212	H01564000	AC CORD-LF			Fig11
214	PE6750700	GUIDE PLATE			Fig11
215	PE1751100	BOSS (B)			Fig11
216	MH0300622	P-TIGHT SCREW			Fig11
217	Q00823000	LAPPING SHEET SET(3W)			Fig11
225	Q02147000	QUICK GUIDE DR308e			Fig11
230	R12502000	PACKING SUB ASSY DR308e			Fig11
237	KA200511A	FERRITE CORE			Fig11
238	Q02230000	Instruction to attach the ferrite cores			Fig11

DATE: 28 Mar, 2016



## CT-DR3e CUTTER UNIT SERVICE PARTS LIST



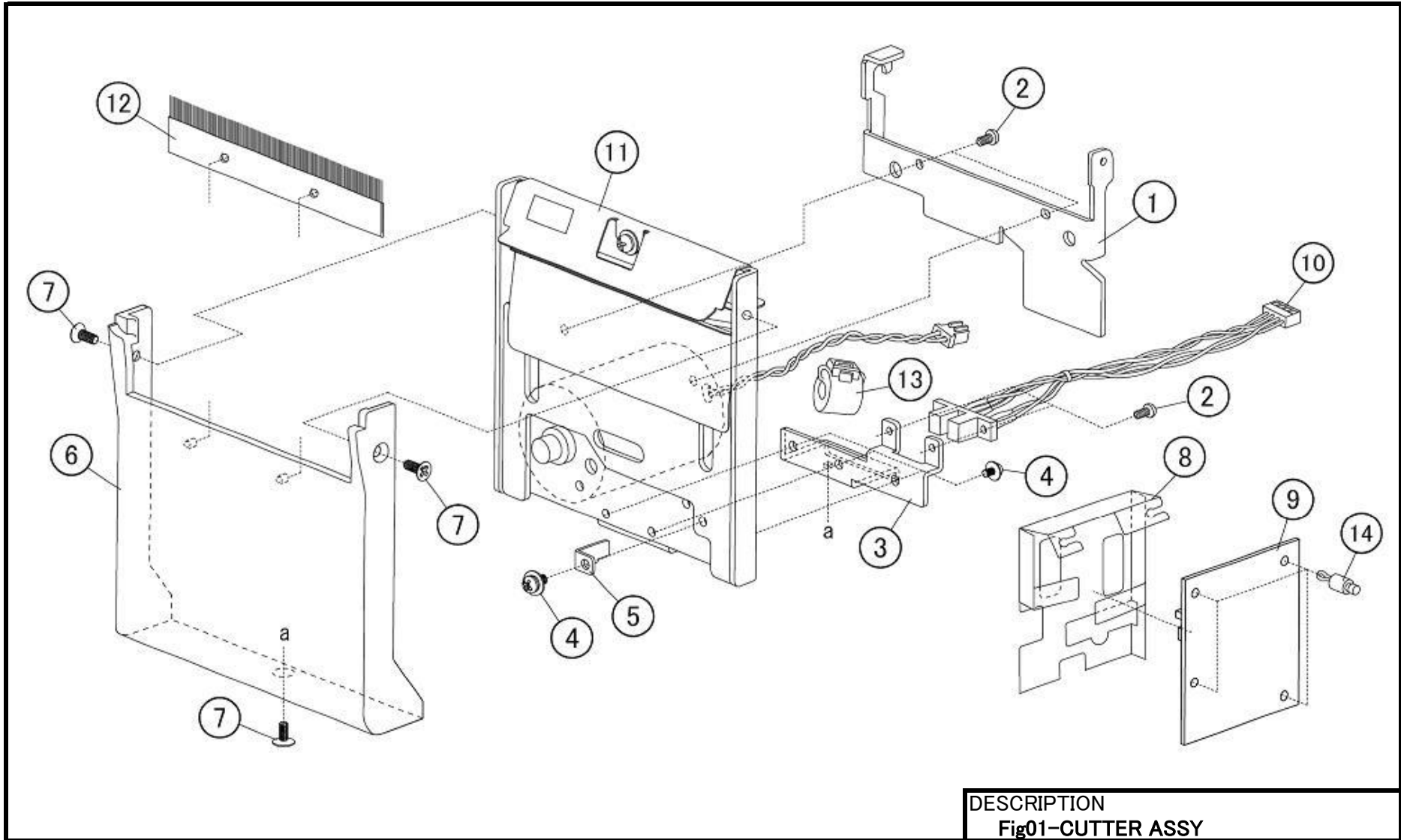
Create Date:

WWDR35100

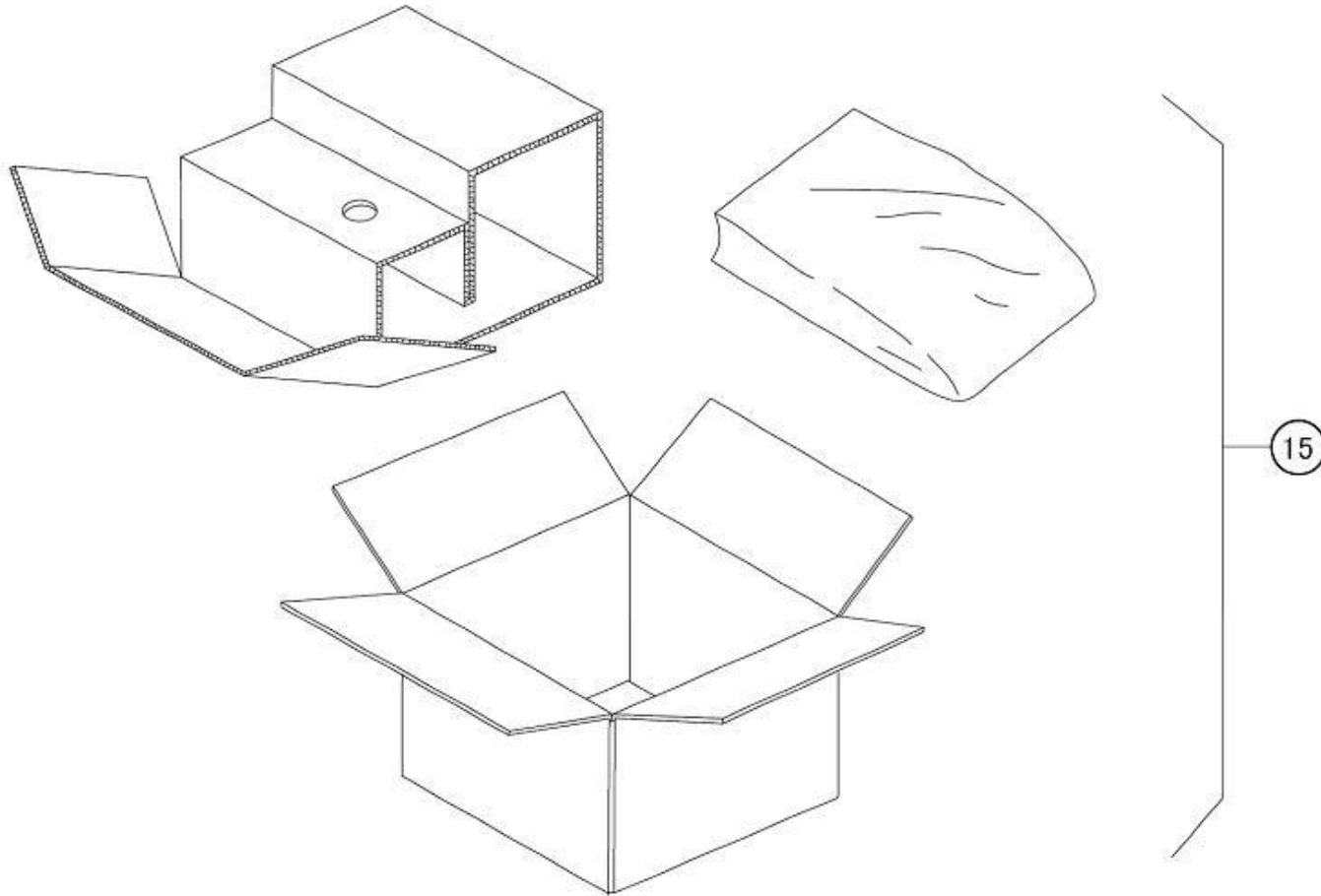
RV07-598

SATO CORPORATION . TOKYO. JAPAN





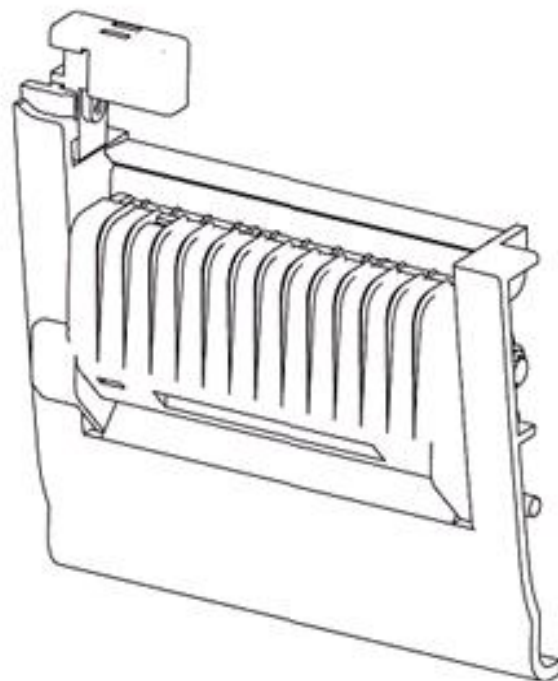
	<b>First_Code</b>	<b>Description</b>	<b>Standard</b>	<b>Std_List Price</b>	<b>NOTE</b>
1	PA1752601	SET BRACKET			Fig01
2	MA0300622	SCREW(10.M3X6)			Fig01
3	PA1752750	SET BRACKET (C)			Fig01
4	MD4300622	PAN HEAD SCREW			Fig01
5	PA1752801	SENSOR SLIT			Fig01
6	PH0750750	CUTTER COVER			Fig01
7	MA1300622	SCREW(02.M3X6)			Fig01
8	P29825000	CUTTER PCB COVER			Fig01
9	R12401000	CUTTER PCB SET-LF			Fig01/Recommended Spare parts
10	R12403000	CUTSEN CABLE SET-LF			Fig01/Recommended Spare parts
11	R12582000	CUTTER SET			Fig01/Recommended Spare parts
12	PR8850300	S.E.BRUSH SET			Fig01
13	KA200501A	FERRITE CORE-LF			Fig01
14	P28247000	POST			Fig01



DESCRIPTION  
Fig02-CT ATTACHMENT ASSY

	<b>First Code</b>	<b>Description</b>	<b>Standard</b>	<b>Std_List Price</b>	<b>NOTE</b>
15	QA0751100	PACKING SUB ASSY			Fig02

## DS-DR3e DISPENSER UNIT SERVICE PARTS LIST

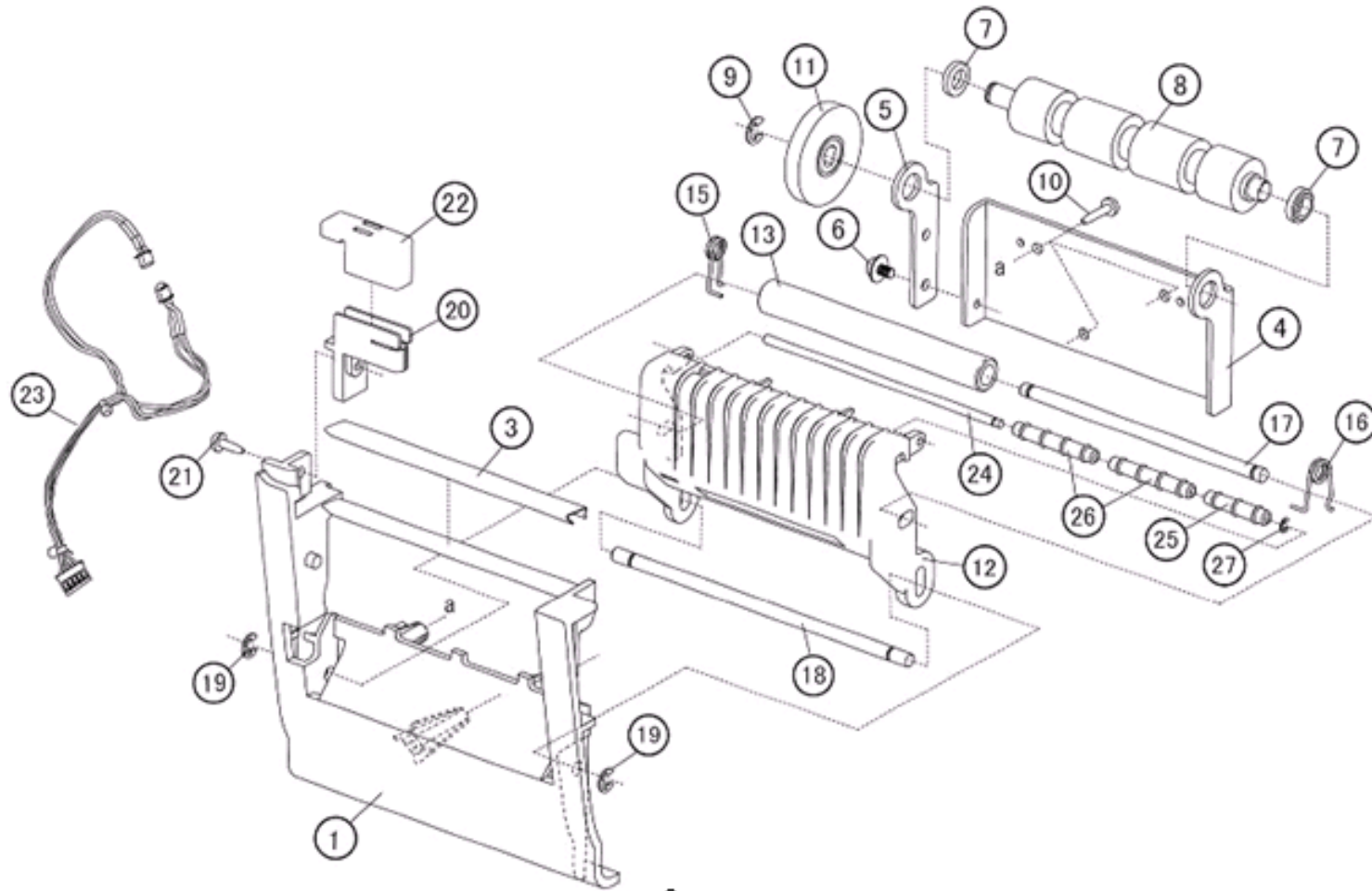


Create Date:

WWDR35200

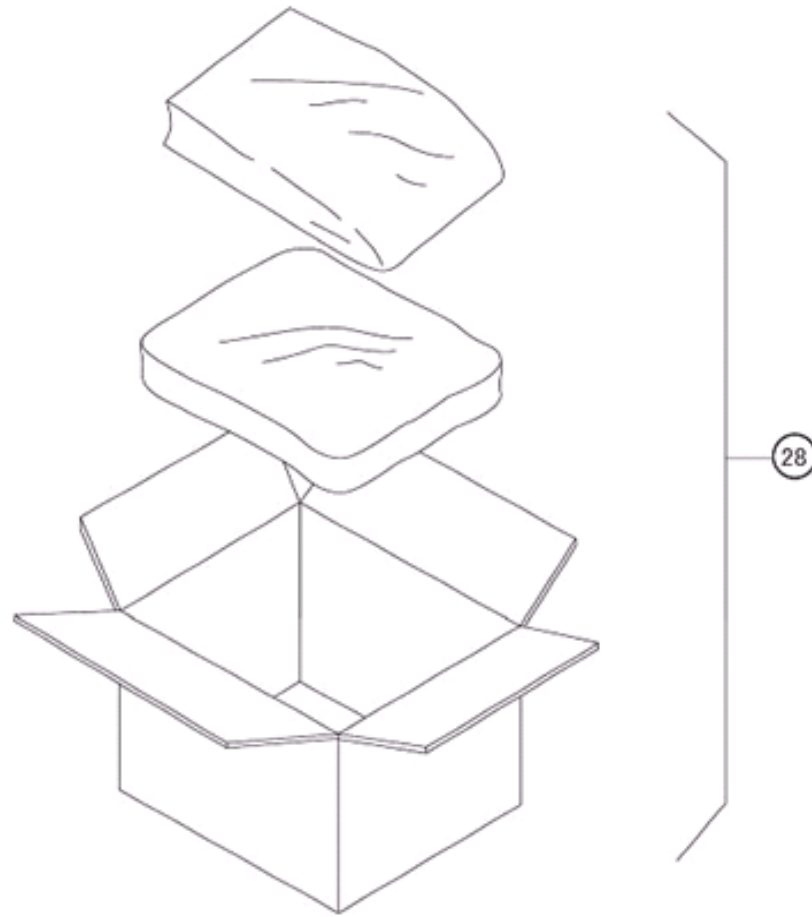
RV07-598

SATO CORPORATION . TOKYO. JAPAN



DESCRIPTION  
Fig01-DISPENSE ASSY

	First_Code	Description	Standard	Std_List Price	NOTE
1	PR2750460	DISPENSE COVER			Fig01
3	PA4750200	DISPENSE BAR			Fig01
4	PA1751950	DISPENSE FRAME (A)			Fig01
5	PA1752050	DISPENSE FRAME (B)			Fig01
6	MD4300622	PAN HEAD SCREW+SW+WL			Fig01
7	PE2680400	BUSH			Fig01
8	PR0750200	DISPENSE ROLLER			Fig01/Recommended Spare parts
9	ND0040030	E SNAP RING			Fig01
10	MH0301222	PAN HEAD P TITE SCREW			Fig01
11	PE8750600	GEAR(1*26)			Fig01
12	PR4751750	PRESSURE BRACKET			Fig01
13	PR1750300	PRESSURE ROLLER			Fig01
15	PC2750100	SPRING (L)			Fig01
16	PC2750200	SPRING (R)			Fig01
17	PB0751200	ROLLER SHAFT			Fig01
18	PB0751301	SHAFT (DISPENSER)			Fig01
19	ND0030030	E SNAP RING			Fig01
20	PE1751350	SENSOR BR B(DISPENSE)			Fig01
21	MH0300822	PAN HEAD P TIGHT SCREW			Fig01
22	PE1751550	SENSOR COVER(DISPENSE)			Fig01
23	R12900000	DEM CABLE SET-LF			Fig01/Recommended Spare parts
24	PB0752200	ROLLER SHAFT			Fig01
25	PV1750200	DISPENSE ROLLER			Fig01
26	PE3520600	DISPENSE ROLLER			Fig01
27	ND0020030	E SNAP RING			Fig01

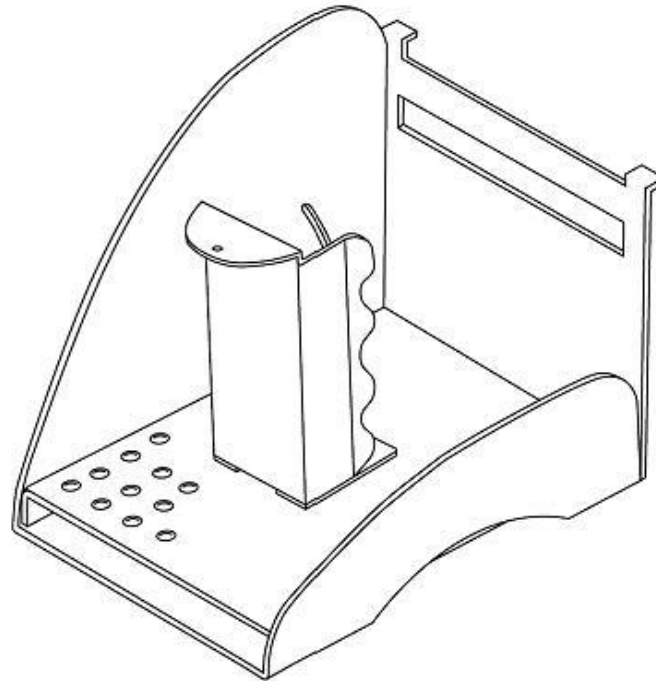


DESCRIPTION  
Fig02-DS ATTACHMENT ASSY



	<b>First Code</b>	<b>Description</b>	<b>Standard</b>	<b>Std List Price</b>	<b>NOTE</b>
28	QA0752100	PACKING SUB ASSY(DISPENSE)			Fig02

## ST-DR3e STACKER UNIT SERVICE PARTS LIST

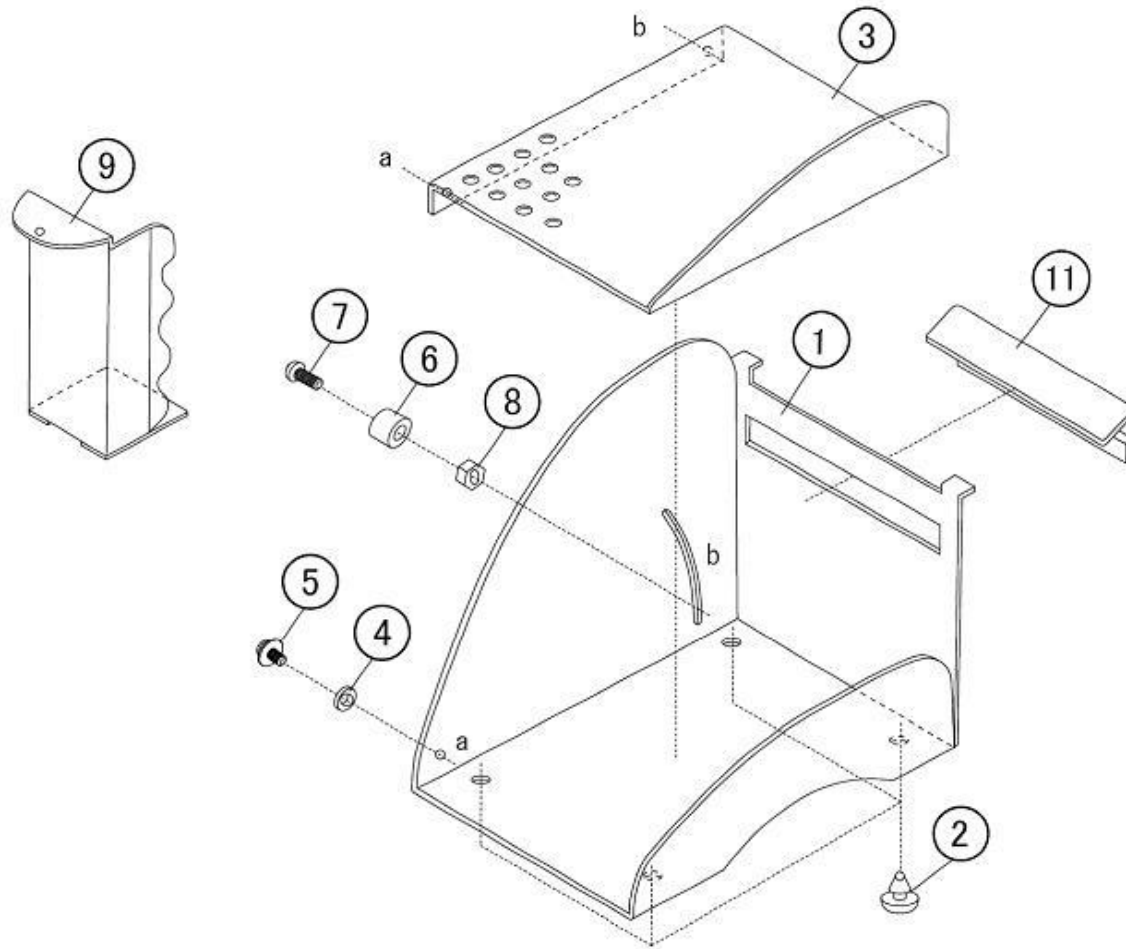


Create Date:

WWDR35600

RV07-598

SATO CORPORATION . TOKYO. JAPAN

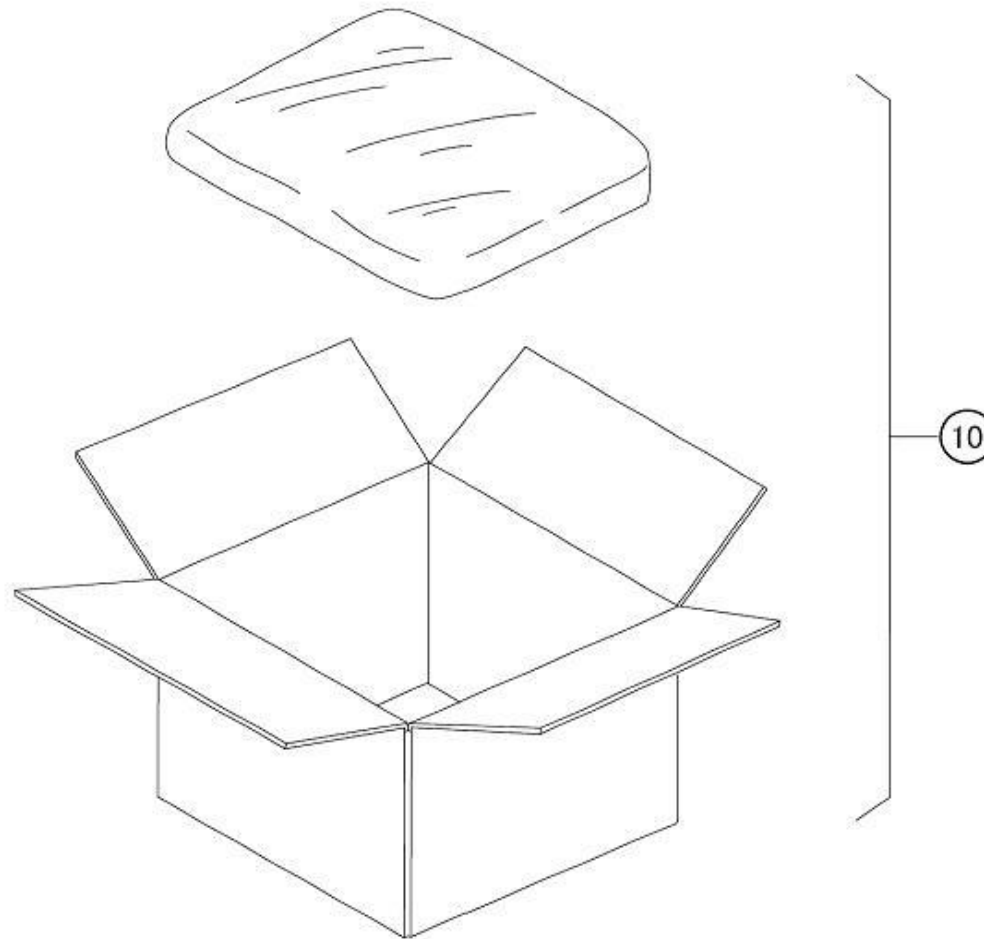


DESCRIPTION  
Fig01-STD STACKER ASSY

## ST-DR3e STACKER UNIT SERVICE PARTS LIST

AssyName

	<b>First_Code</b>	<b>Description</b>	<b>Standard</b>	<b>Std_List Price</b>	<b>NOTE</b>
1	R12890000	BASE(STACKER)			Fig01
2	PT6750200	CASE LEG			Fig01
3	PA1754650	PLATE(STACKER)			Fig01
4	PT9520400	SPACER			Fig01
5	MD4300622	PAN HEAD SCREW			Fig01
6	PE2750401	GUIDE COLLAR(STACKER)			Fig01
7	MA0301022	SCREW(01.M3X10)			Fig01
8	MT1300522	HEXAGON NUT(2N3X0.5)			Fig01
9	PR4751351	TAG GUIDE(STACKER)			Fig01
11	PR4751450	GUIDE PLATE(STACKER)			Fig01



DESCRIPTION  
Fig02-ST ATTACHMENT ASSY

ST-DR3e STACKER UNIT SERVICE PARTS LIST

AssyName

	<b>First Code</b>	<b>Description</b>	<b>Standard</b>	<b>Std List Price</b>	<b>NOTE</b>
10	QA0756100	PACKING SUB ASSY			Fig02