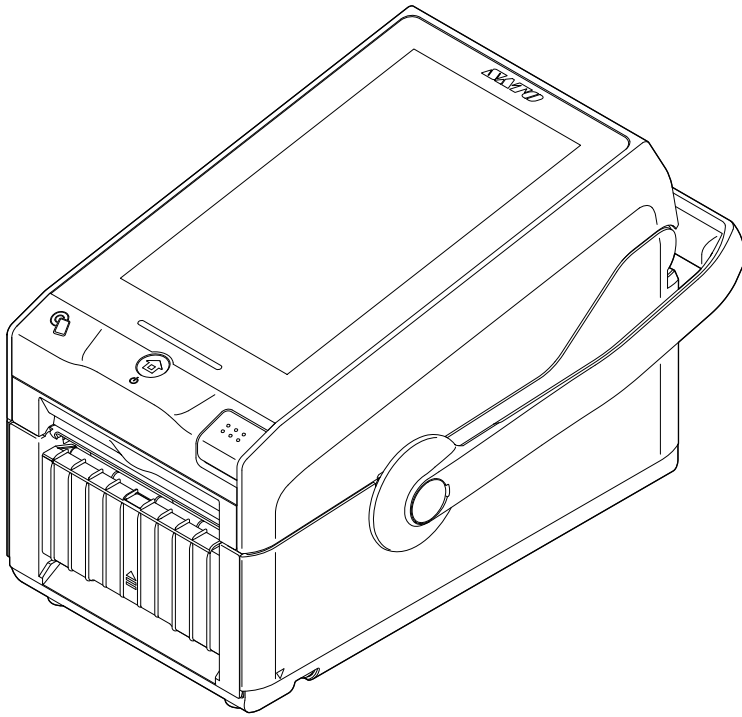


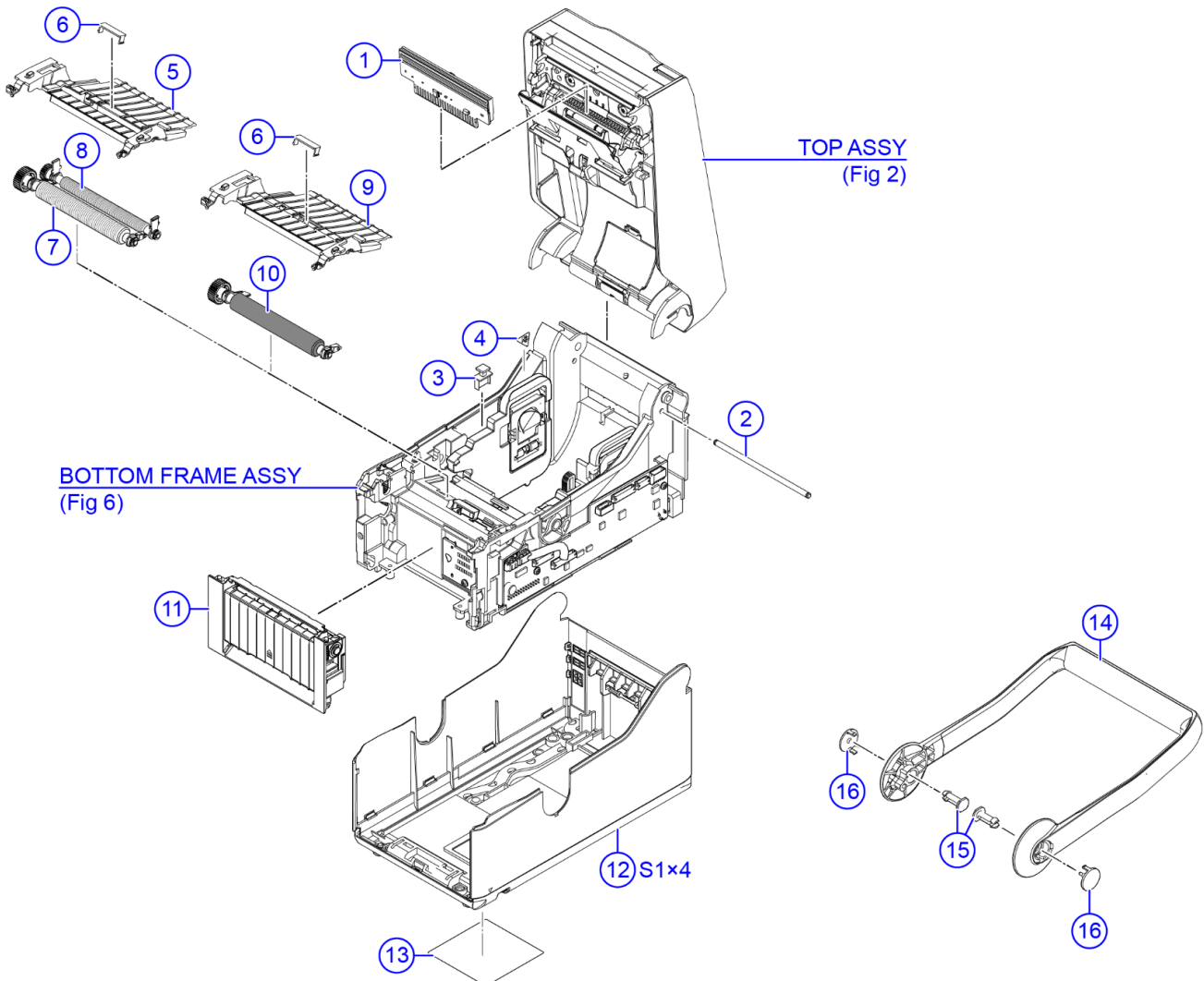
サービスパーツ

FX3-LX



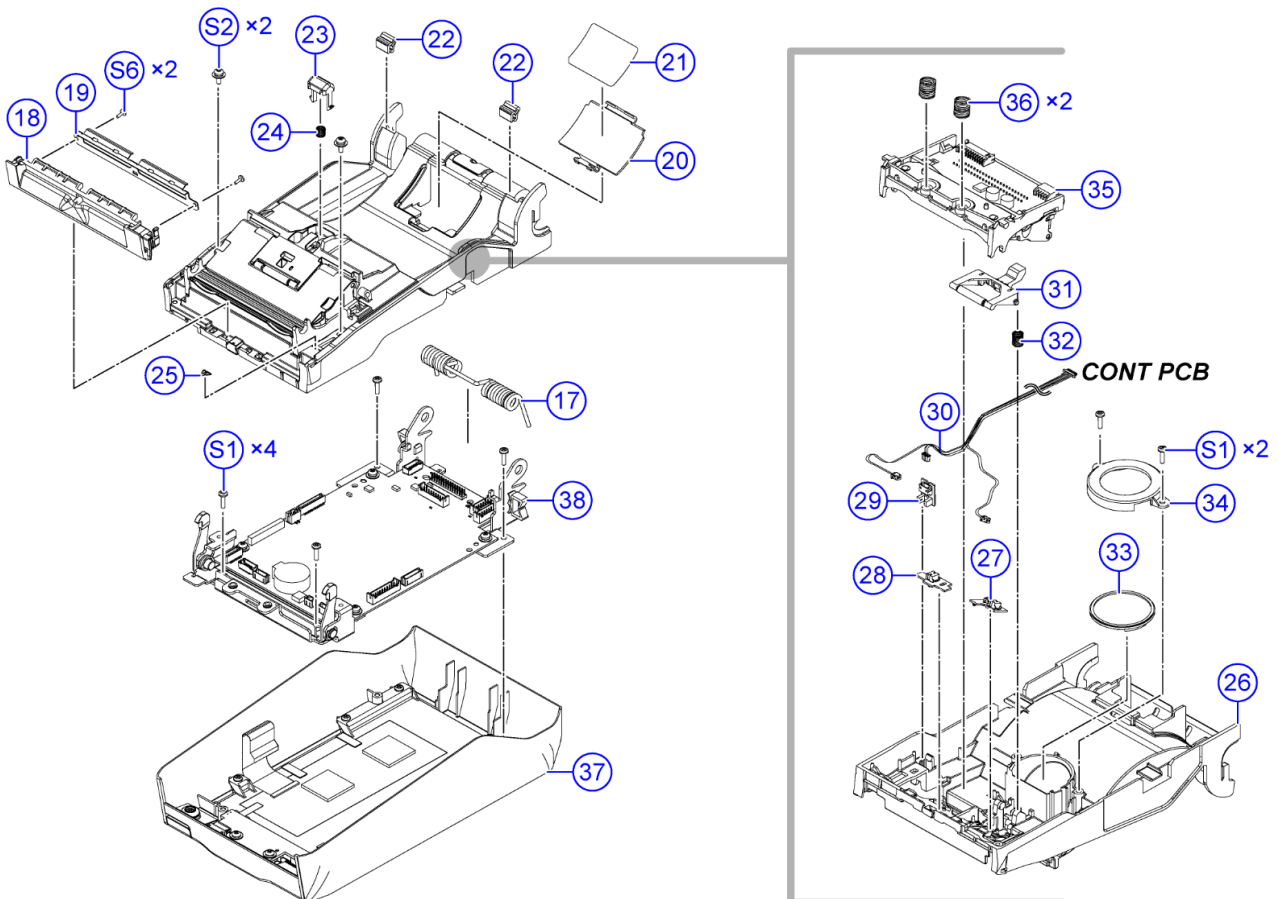
No.	FIRST CODE	DESCRIPTION	NOTE
MAIN ASSY			
1	G00641900	THERMAL HEAD(305dpi-3inch)-LF	Recommended Spare parts
2	P57077900	HINGE SHAFT	
3	P57749900	USB A TYPE COVER	
4	Q04790600	CAUTION (COVER CLOSE)	
5	P57294603	INNER COVER	LINERLESS MODEL
6	P57191901	SENSOR COVER	
7	R34075500	PLATEN ROLLER S/A	Recommended Spare parts
8	R34075600	FEED ROLLER S/A	Recommended Spare parts
9	P57773900	INNER COVER(B)	NON LINERLESS MODEL
10	R34075400	PLATEN ROLLER(B) S/A	Recommended Spare parts
11	R34076100	<u>DISPENSER ASSY</u>	
12	R34075300	<u>BOTTOM COVER(U)ASSY</u>	USB MODEL
12	R34075200	<u>BOTTOM COVER(UL)ASSY</u>	USB+LAN MODEL
13	P57761900	CONNECTOR SEAL (P)	
S1	MH0301021	PAN HEAD P TIGHT SCREW	
14	R33845200	HANDLE	
15	P57142800	HANDLE PIN	
16	P57260100	HANDLE COVER DE	
		<u>TOP ASSY</u>	
		<u>BOTTOM FRAME ASSY</u>	
		<u>Accessories and Option</u>	

Fig 1



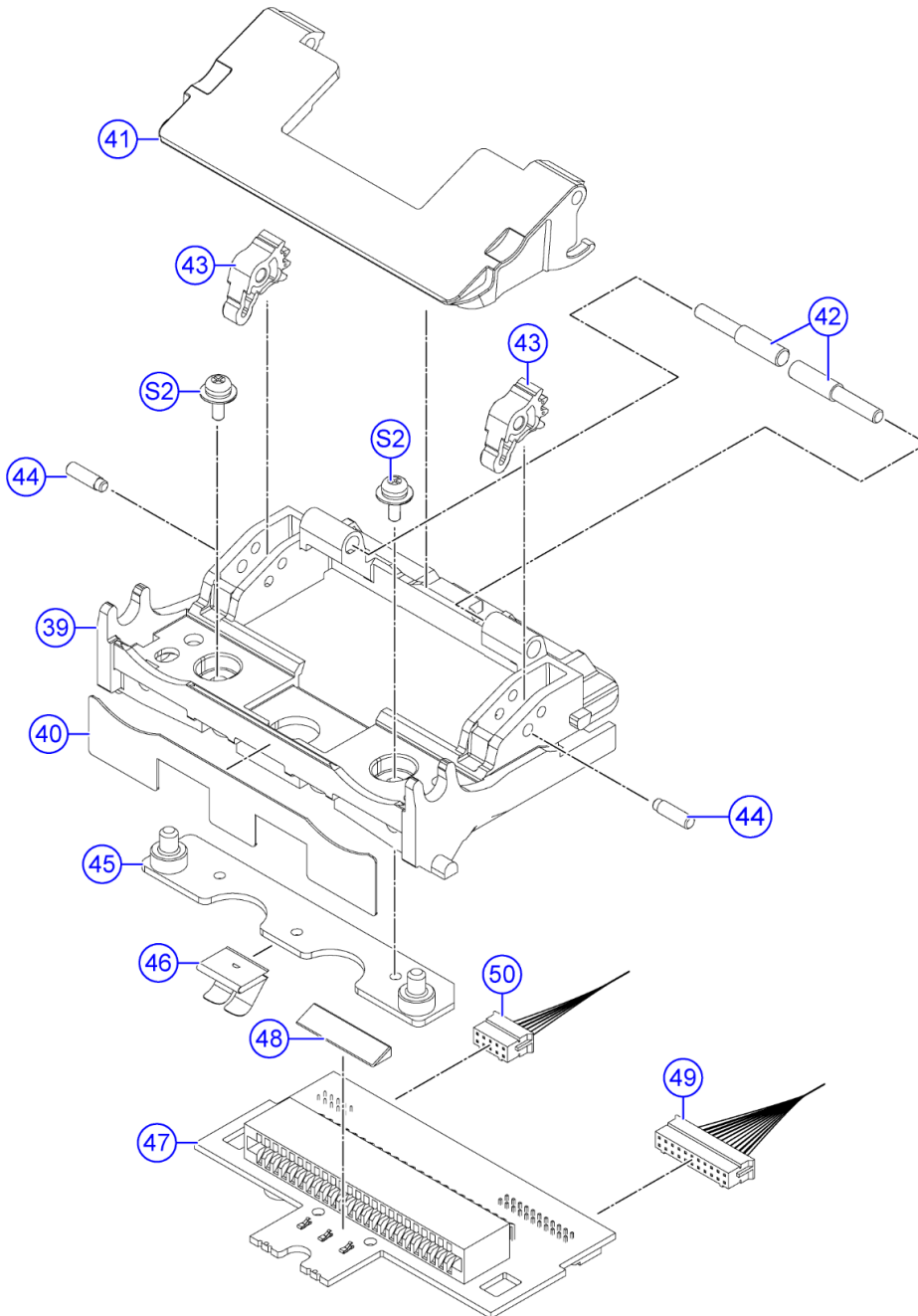
No.	FIRST CODE	DESCRIPTION	NOTE
TOP ASSY			
17	P57078000	COVER OPEN SPRING	
18	P57132500	FRONT COVER	
19	P58447900	FRONT COVER PLATE	
S6	M16249000	BIND HEAD P TIGHT SCREW	
20	P57296600	MAINTENANCE LID	
21	Q05034500	STICKER(LABEL SET)	
22	P59162101	LOCK_CLIP	
23	P57638200	LABEL DAMPER	
24	P57642100	LABEL DAMPER SPRING	
25	Q02348000	STICKER(HEAT CAUTION)	
26	P57076100	TOP FRAME	
S2	MD4300621	PAN HEAD SCREW+SW+WL	
27	R34044301	FX3-GAP PCB ASSY-LF	Recommended Spare parts
28	R34044501	FX3-DISP-TR PCB ASSY-LF	Recommended Spare parts
29	R34044201	FX3-CO PCB ASSY-LF	Recommended Spare parts
30	R33282301	TOP SENSOR CABLE SET-LF	
31	R33747100	NIP ROLLER SET FEED	
32	P57743900	NIP SPRING(FEED)	
33	K00585900	SPEAKER -LF	
34	P57201900	SPEAKER HOLDER	
S1	MH0301021	PAN HEAD P TIGHT SCREW	
35	R34076602	<u>HEAD ASSY</u>	
36	P57295800	HEAD SPRING	
37	R34076700	<u>TOP COVER ASSY</u>	
38	R34076400	<u>SHIELD PLATE ASSY</u>	
S1	MH0301021	PAN HEAD P TIGHT SCREW	

Fig 2



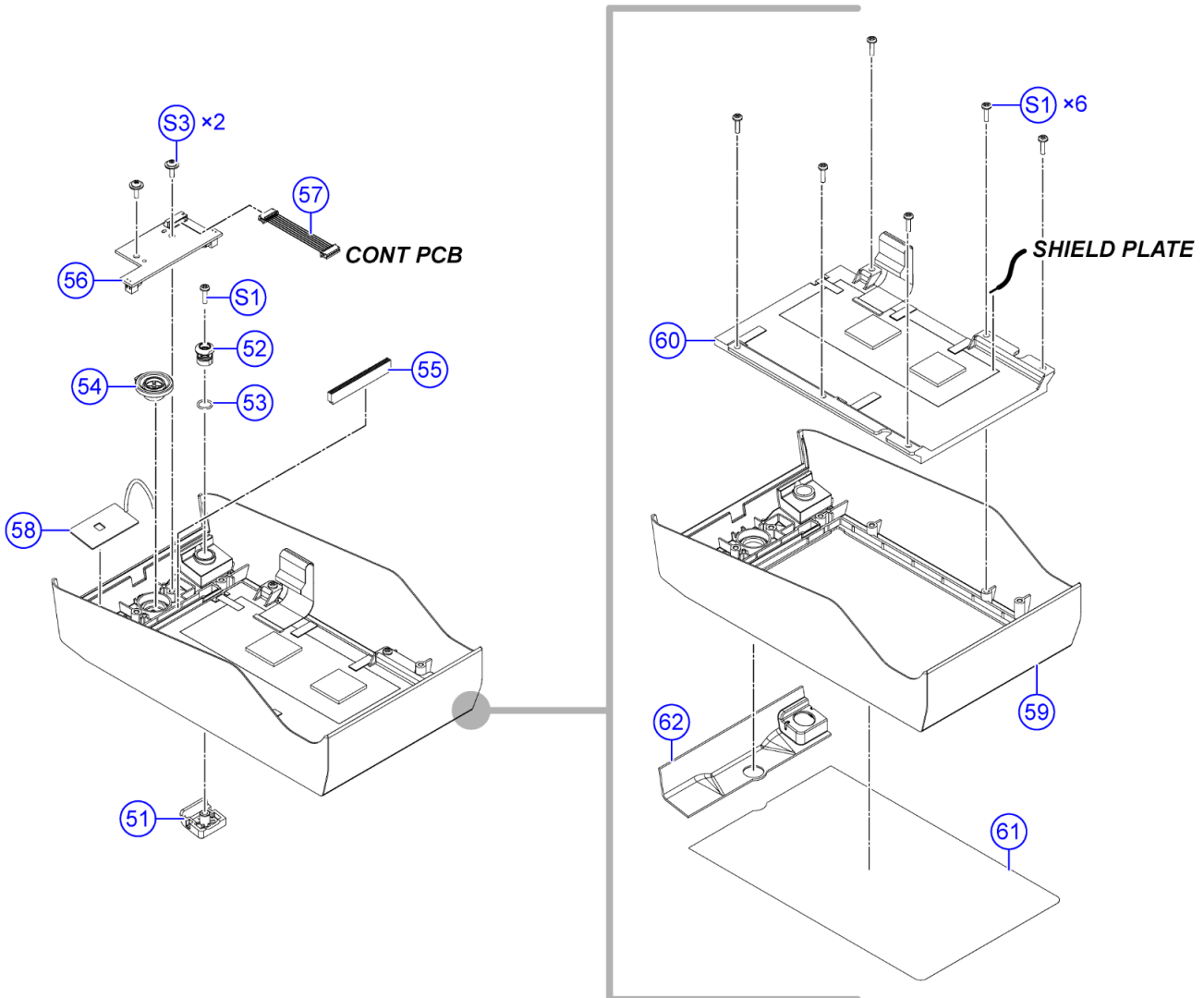
No.	FIRST CODE	DESCRIPTION	NOTE
HEAD ASSY			
39	P57296700	HEAD BRACKET	
40	P57763900	ANTI-STATIC SHEET	
41	P57296800	HEAD COVER	
42	P57296900	HEAD COVER SHAFT	
43	P57297000	SLIDE LEVER	
44	P57297100	SLIDE LEVER SHAFT	
45	R33764500	HEAD ADJ PLATE SET	
S2	MD4300621	PAN HEAD SCREW+SW+WL	
46	K00593900	FINGER	
47	R34044102	FX3-HEAD PCB ASSY-LF	Recommended Spare parts
48	P57619900	HEAD INSERT GUIDE	
49	R33281702	HEAD SIGNAL CABLE SET-LF	
50	R33281605	HEAD PWR CABLE SET-LF	

Fig 3



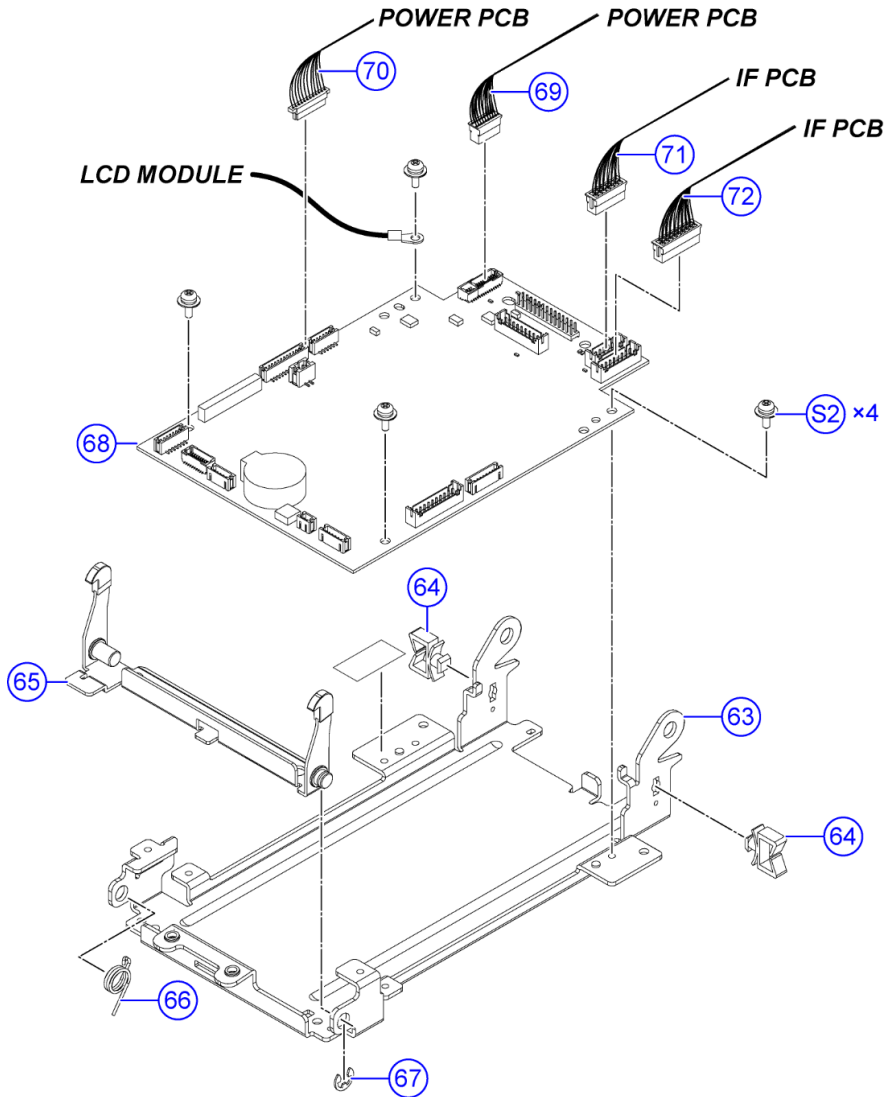
No.	FIRST CODE	DESCRIPTION	NOTE
TOP COVER ASSY			
51	P57297400	COVER OPEN BUTTON	
52	P57297500	OPEN BUTTON STOPPER	
S1	MH0301021	PAN HEAD P TIGHT SCREW	
53	P57398500	O-RING	
54	P57655900	HOME BUTTON(SILK)	
55	P56983100	LIGHT GUIDE	
56	R34044001	FX3-KB PCB ASSY-LF	Recommended Spare parts
S3	MH9300822	PAN HEAD P TIGHT SCREW	
57	R33281800	KB PCB CABLE SET-LF	
58	R34049100	FX3-NFC ANT ASSY-LF	
59	P57518200	TOP COVER	
60	F05113900	LCD MODULE(7inch-Touch) -LF	Recommended Spare parts
S1	MH0301021	PAN HEAD P TIGHT SCREW	
61	P57261903	TOP SHEET	
62	P57518200	TOP COVER	

Fig 4



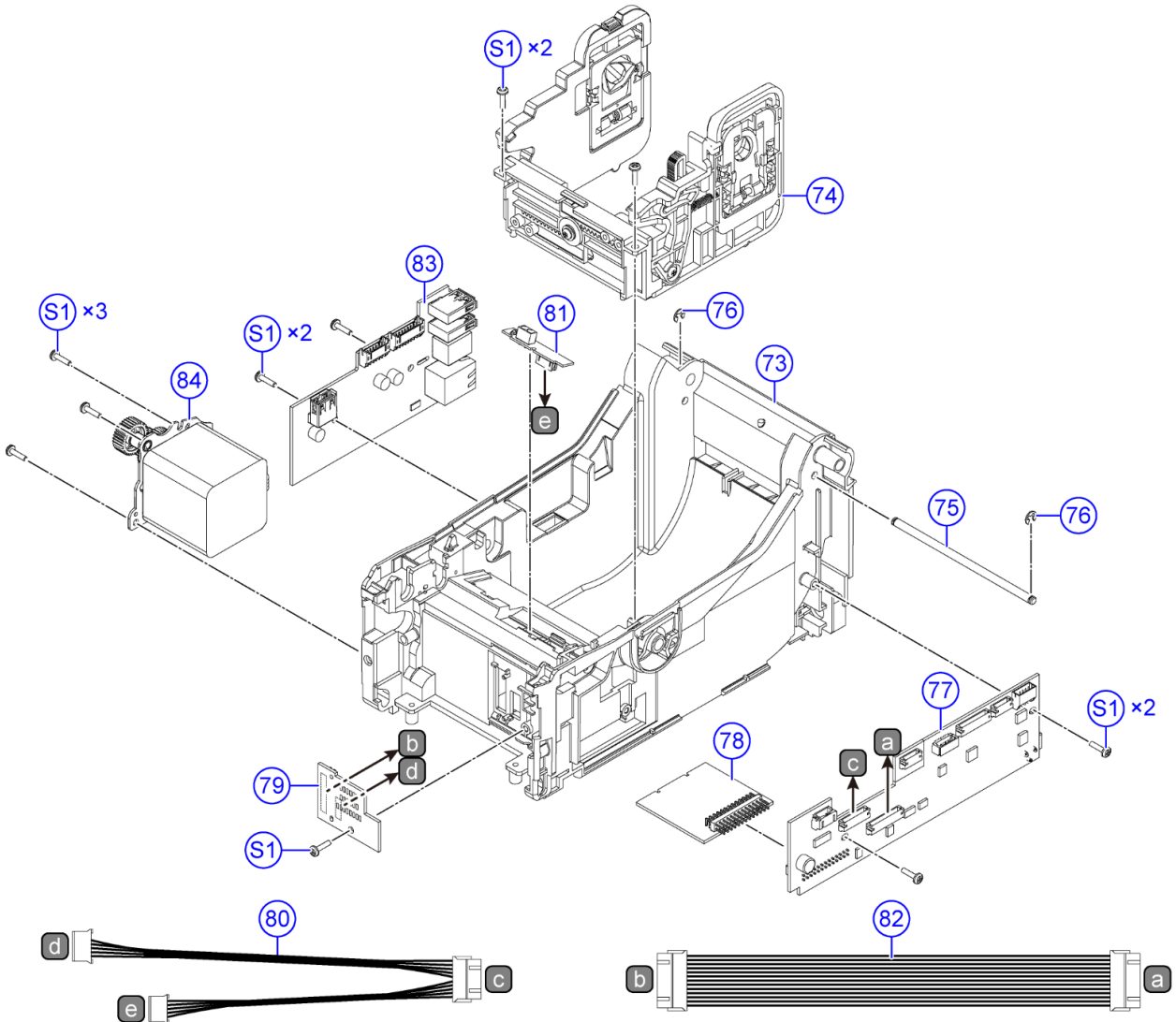
No.	FIRST CODE	DESCRIPTION	NOTE
SHIELD PLATE ASSY			
63	P57076200	SHIELD_PLATE	
64	P58232000	RE-USE CLAMP	
65	R33402500	OPEN LEVER SET	
66	P57257900	OPEN LEVER SPRING	
67	ND0040022	E SNAP RING	
68	R35780100	FX3-CONT PCB(USB) AD ASSY-LF	JAPAN(AD) USB MODEL Recommended Spare parts
68	R35780000	FX3-CONT PCB(LAN,USB) AD ASSY-LF	JAPAN(AD) USB+LAN MODEL Recommended Spare parts
68	R34051306	FX3-CONT PCB(USB) ASSY-LF	GLOBAL(LX) USB MODEL Recommended Spare parts
68	R34043107	FX3-CONT PCB(LAN,USB) ASSY-LF	GLOBAL(LX) USB+LAN MODEL Recommended Spare parts
S2	MD4300621	PAN HEAD SCREW+SW+WL	
69	R33947305	PWR SIGNAL CABLE SET -LF	
70	R33947403	PWR SUPPLY CABLE SET -LF	
71	R33969102	LAN INTERFACE CABLE SET -LF	
72	R33969202	USB INTERFACE CABLE SET-LF	

Fig 5



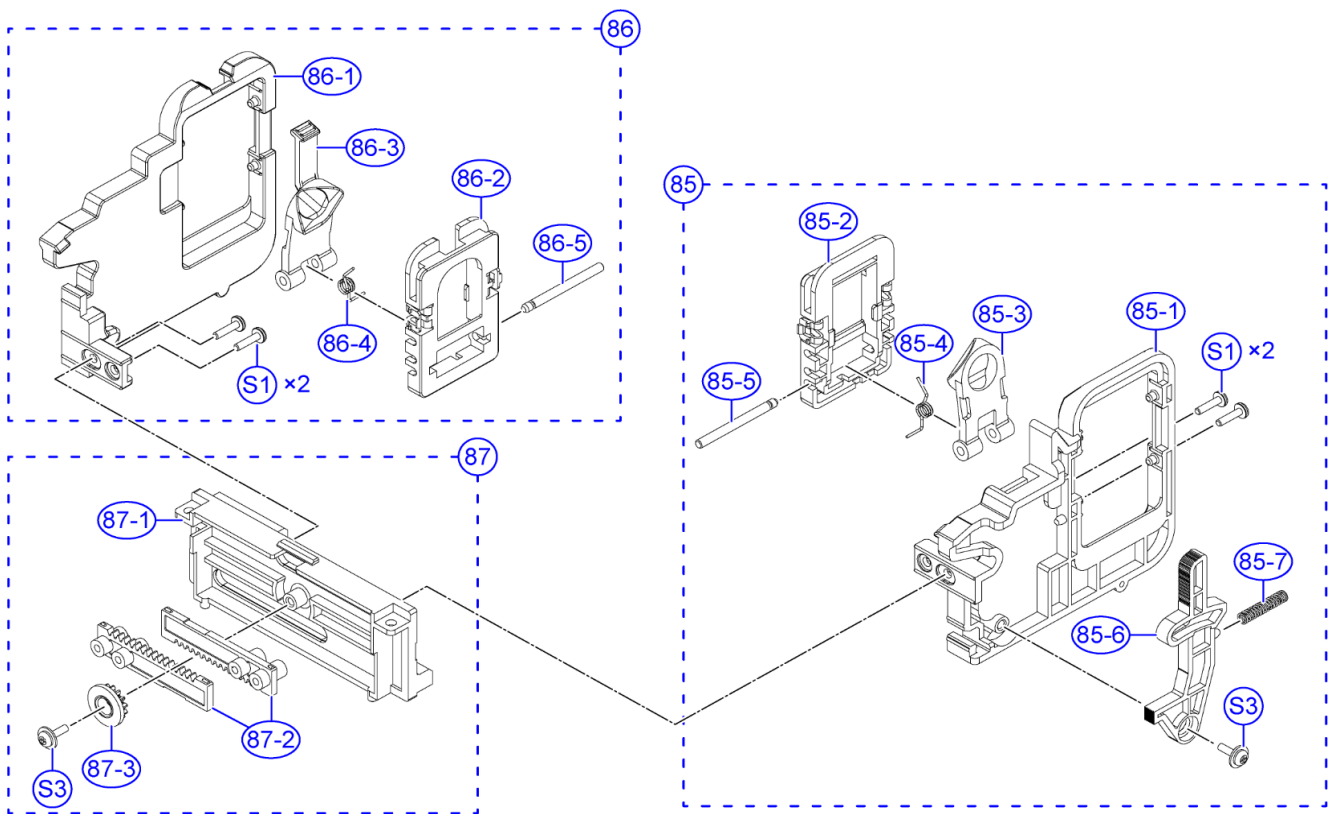
No.	FIRST CODE	DESCRIPTION	NOTE
BOTTOM FRAME ASSY			
73	P57076000	BOTTOM_FRAME	
74	R34075800	<u>LABEL GUIDE ASSY</u>	
S1	MH0301021	PAN HEAD P TIGHT SCREW	
75	P57294800	SPRING HOLD SHAFT	
76	ND0030022	E SNAP RING	
77	R34043405	FX3-POWER PCB ASSY-LF	
S1	MH0301021	PAN HEAD P TIGHT SCREW	
78	R34043701	FX3-PWR-CON PCB ASSY-LF	Recommended Spare parts
79	R34043901	FX3-CUT-CON PCB ASSY-LF	Recommended Spare parts
S1	MH0301021	PAN HEAD P TIGHT SCREW	
80	R33281501	BOTTOM SENSOR CABLE SET-LF	
81	R34044801	FX3-IMGAP PCB ASSY-LF	Recommended Spare parts
82	R33327101	CUT-CON CABLE SET-LF	
83	R34051403	FX3-IF PCB(USB) ASSY-LF	USB MODEL Recommended Spare parts
83	R34043303	FX3-IF PCB(LAN,USB) ASSY-LF	USB+LAN MODEL Recommended Spare parts
S1	MH0301021	PAN HEAD P TIGHT SCREW	
84	R34075700	<u>ENGINE ASSY</u>	
S1	MH0301021	PAN HEAD P TIGHT SCREW	

Fig 6



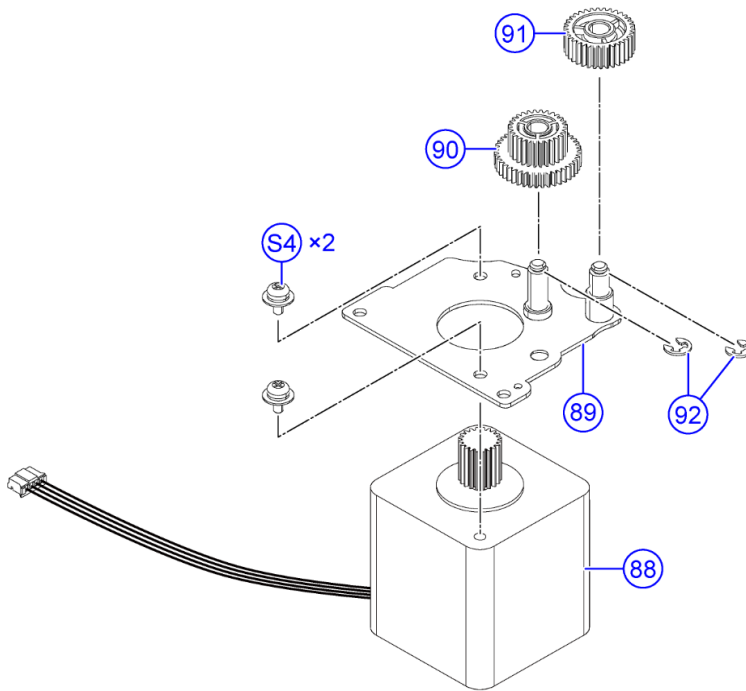
No.	FIRST CODE	DESCRIPTION	NOTE
LABEL GUIDE ASSY			
85	R34076000	LABEL GUIDE R S/A	
85-1	P56836700	LABEL GUIDE R	
S1	MH0301021	PAN HEAD P TIGHT SCREW	
85-2	P57218000	FLAP FRAME	
85-3	P57064900	FLAP PIN R	
85-4	P57216400	FLAP PIN SP	
85-5	P57218100	FLAP SHAFT	
85-6	P57064700	LOCK LEVER	
S3	MH9300822	PAN HEAD P TIGHT SCREW	
85-7	P57256600	LOCK LEVER SPRING	
86	R34075900	LABEL GUIDE L S/A	
86-1	P56836600	LABEL GUIDE L	
S1	MH0301021	PAN HEAD P TIGHT SCREW	
86-2	P57218000	FLAP FRAME	
86-3	P57303000	FLAP PIN L	
86-4	P57216400	FLAP PIN SP	
86-5	P57218100	FLAP SHAFT	
87	R34075800	LABEL GUIDE ASSY	
87-1	P57178200	RACK CASE	
87-2	P57178400	LABEL GUIDE RACK	
87-3	PJ0A20500	GEAR(L.GUIDE)	
S3	MH9300822	PAN HEAD P TIGHT SCREW	

Fig 7



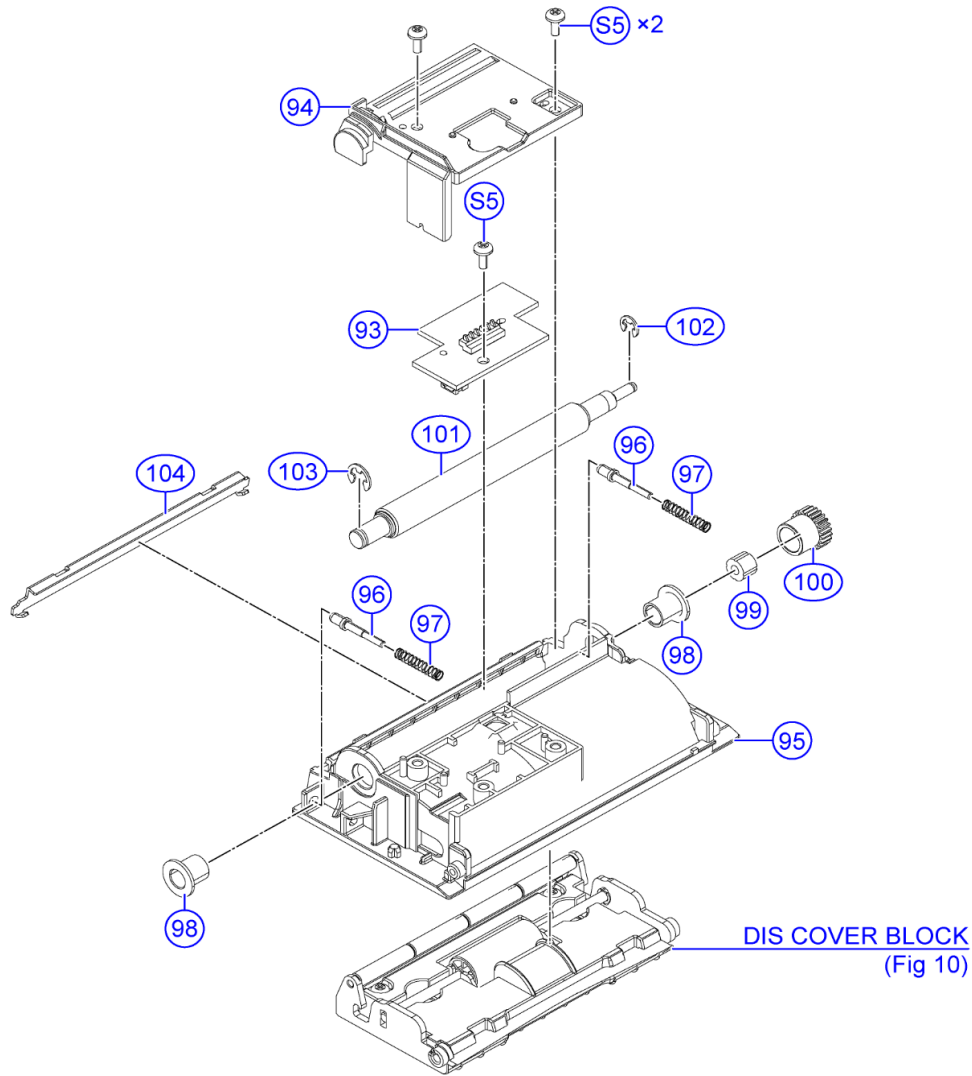
No.	FIRST CODE	DESCRIPTION	NOTE
ENGINE ASSY			
88	K00573900	STEPPING MOTOR-LF	Recommended Spare parts
89	R33275500	ENGINE PLATE SET	
S4	MD4300621	PAN HEAD SCREW+SW+WL	
90	P57050200	GEAR(0.5*28/0.5*42)	
91	P57050100	GEAR(0.5*34)	
92	ND0030022	E SNAP RING	

Fig 8



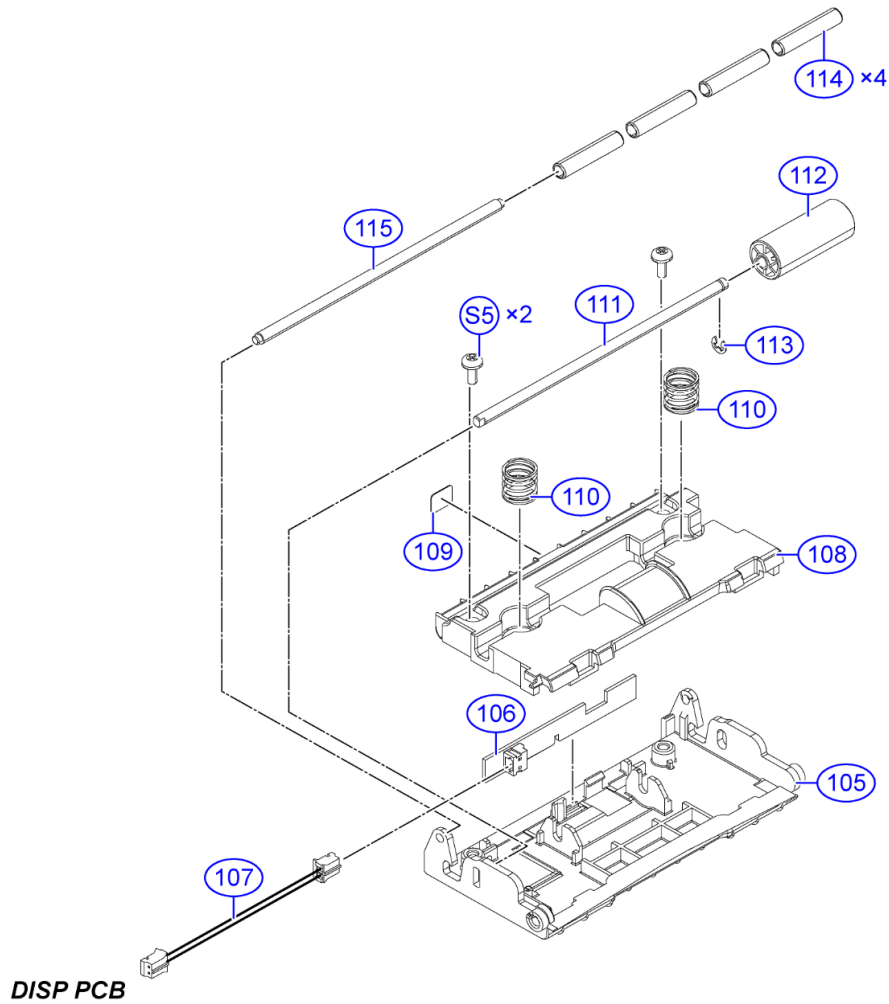
No.	FIRST CODE	DESCRIPTION	NOTE
DISPENSER ASSY			
93	R34044601	FX3-DISP PCB ASSY-LF	Recommended Spare parts
S5	MH0300621	PAN HEAD P TIGHT SCREW	
94	P57656000	DIS FRAME COVER	
S5	MH0300621	PAN HEAD P TIGHT SCREW	
95	P57295300	DIS FRAME	
96	P57139900	LOCK PIN	
97	P57227000	LOCK PIN SPRING	
98	P57127900	OILES BEARING	
99	P58522100	ONE WAY CLUTCH	
100	P57049800	DIS GEAR(0.5*24)	
101	P57049900	DIS ROLLER	
102	ND0020030	E SNAP RING	
103	ND0040022	E SNAP RING	
104	R34167100	DIS PLATE(COAT)	
		DIS COVER BLOCK	

Fig 9



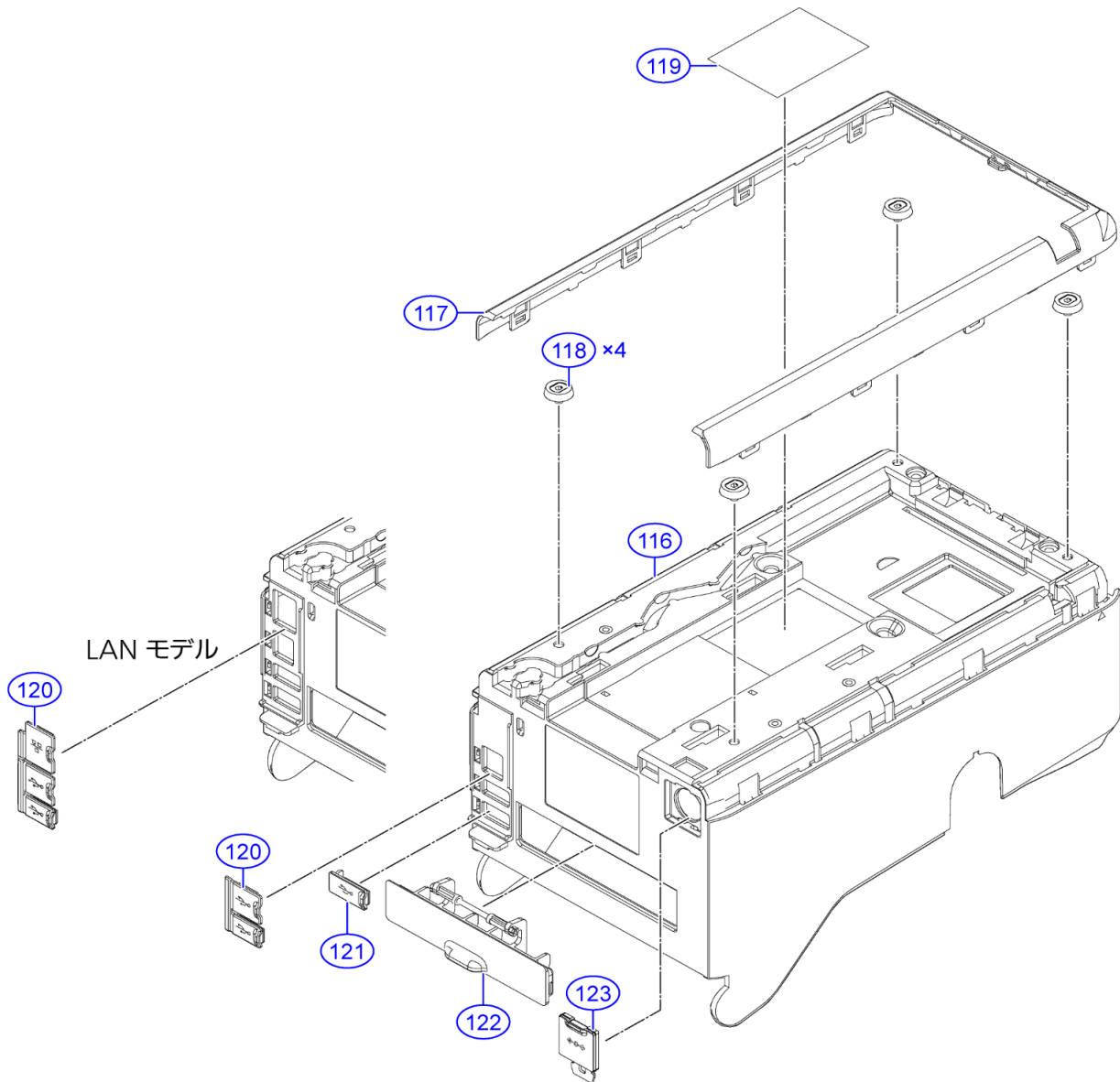
No.	FIRST CODE	DESCRIPTION	NOTE
DIS COVER BLOCK			
105	P57295100	DIS COVER	
106	R34044401	FX3-DISP-D PCB ASSY-LF	Recommended Spare parts
107	R33947201	DISP SENSOR CABLE-LF	
108	P57656100	DIS INNER COVER	
S5	MH0300621	PAN HEAD P TIGHT SCREW	
109	P57634200	DIS SENSOR SHEET	
110	P57276700	DIS NIP SPRING	
111	P57295600	DIS NIP SHAFT	
112	P57135300	DIS NIP ROLLER	
113	ND0020030	E SNAP RING	
114	P57295900	NIP ROLLER COLLAR	
115	P57295500	LINER TURNING SHAFT	

Fig 10



No.	FIRST CODE	DESCRIPTION	NOTE
BOTTOM COVER ASSY			
116	P57728100	BOTTOM COVER(USB)	USB MODEL
116	P57076300	BOTTOM COVER (USB+LAN)	USB+LAN MODEL
117	P57638100	DECO UNDER COVER	
118	P57185900	RUBBER FOOT	
119	Q04105000	STICKER(P38*50)	
120	R33933400	IF COVER(MISC)(USB)	USB MODEL
120	P57081900	IF COVER(MISC) (USB+LAN)	USB+LAN MODEL
121	P57298300	IF_COVER(USB A)	
122	P57064200	FANFOLD COVER	
123	P57166300	DC JACK COVER	

Fig 11



No.	FIRST CODE	DESCRIPTION	NOTE
Accessories and Option			
124	WWFX35100	CUTTER KIT	
125	WWFX35200	PARTIAL CUTTER KIT	
126	K00571902	AC ADAPTOR-LF	
127	H03101900	AC CABLE-LF	JAPAN
127	H03192600	AC CABLE-LF	CHINA
127	H03192400	AC CABLE-LF	USA
127	H03192500	AC CABLE-LF	EU
127	H03274000	AC CABLE-LF	UK/MY/SIN
127	H03273900	AC CABLE-LF	AU/NZ
128	WWFX35800	WLAN/Bluetooth kit	
129	WWFX35000	BATTERY	

Fig 12

