

MB4XXi SERVICE PARTS LIST

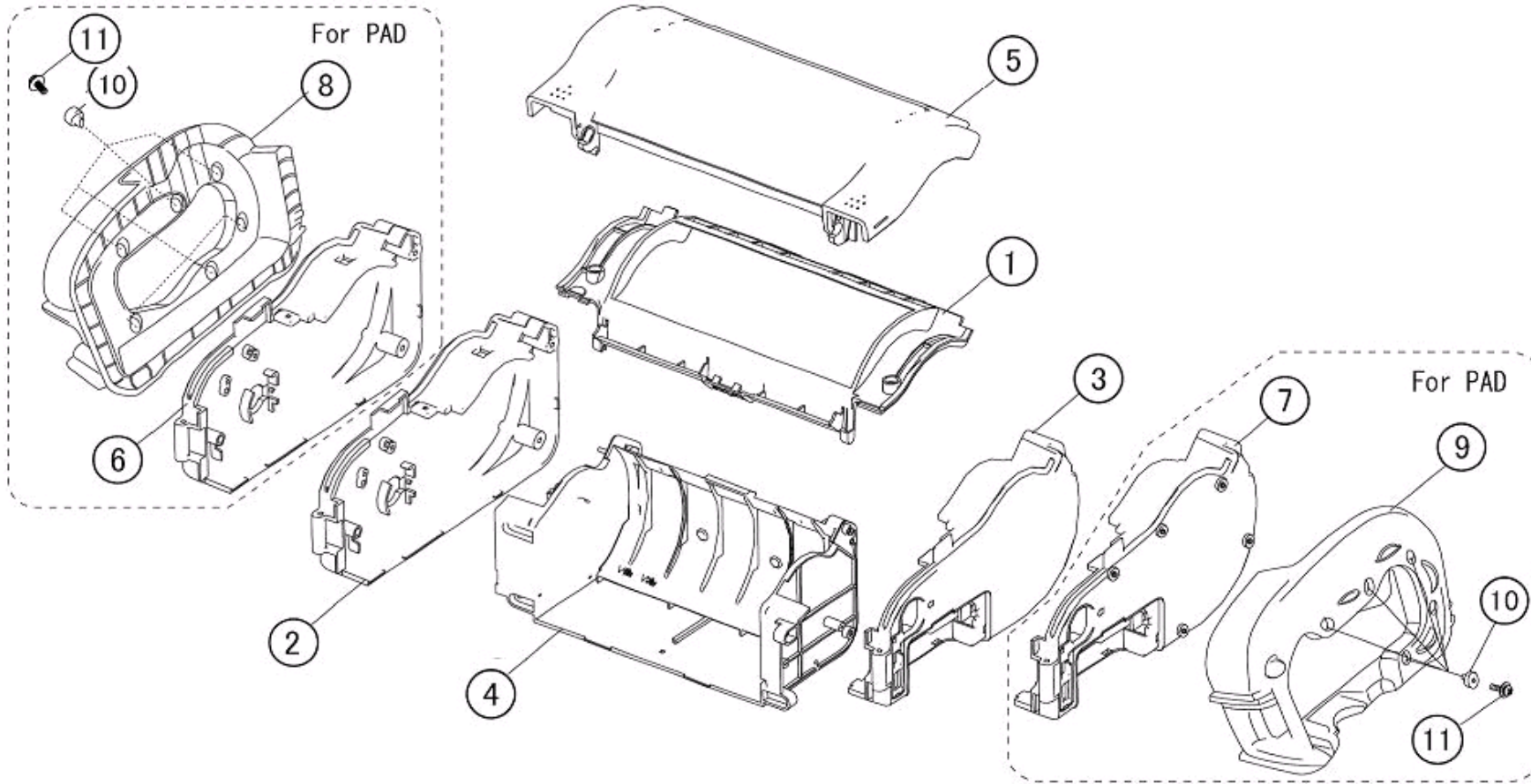


Create Date:

WMB410000

RV08-547

SATO CORPORATION . TOKYO. JAPAN

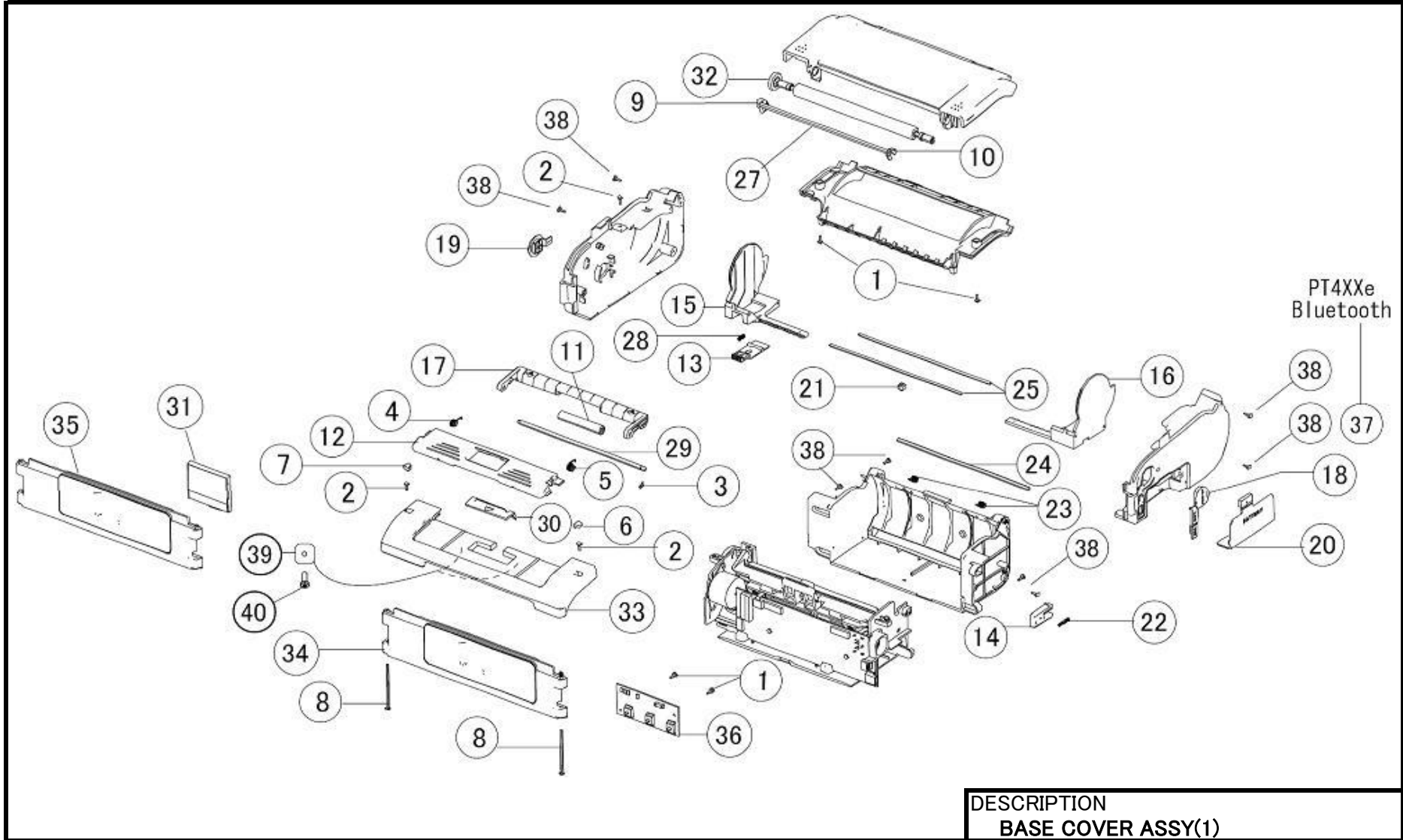


DESCRIPTION
COVER(67) ASSY

MB4XXi SERVICE PARTS LIST

AssyName COVER(67) ASSY

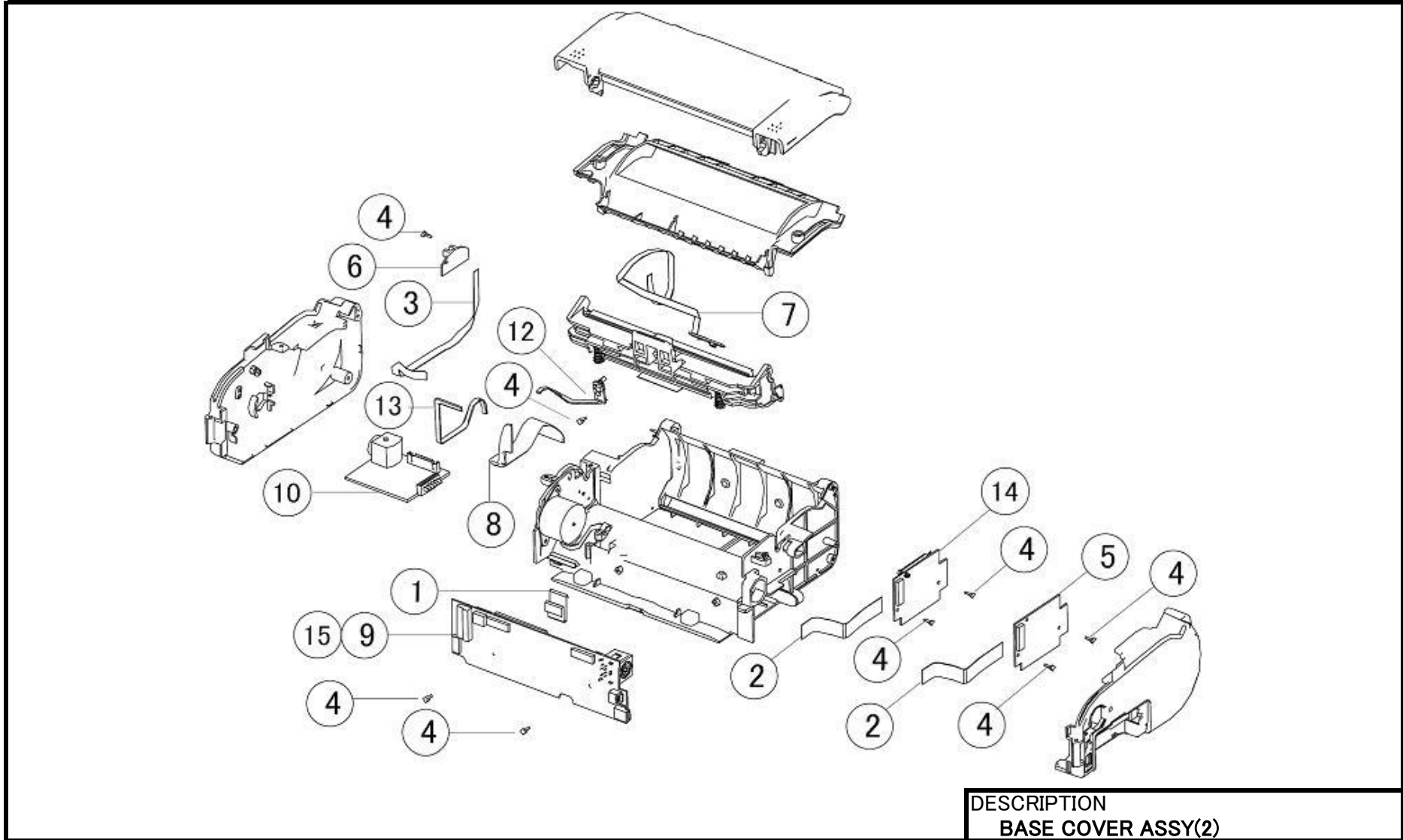
| | First_Code | Description | Standard | Std_List Price |
|----|------------|---------------------|----------|----------------|
| 1 | P19439000 | INNER COVER(67) | | |
| 2 | P19441000 | COVER LH(67) | | |
| 3 | P19442000 | COVER RH(67) | | |
| 4 | R09312000 | BOTTOM CASE SET(67) | | |
| 5 | R09921000 | OPEN COVER(67)SET | | |
| 6 | P32173000 | COVER LH(PAD) | | |
| 7 | P32174002 | COVER RH(PAD) | | |
| 8 | P30899000 | PAD LH | | |
| 9 | P30900001 | PAD RH | | |
| 10 | P30901000 | BUSH(PAD) | | |
| 11 | MD4200822 | PAN HEAD SCREW | | |



MB4XXi SERVICE PARTS LIST

AssyName BASE COVER ASSY(1)

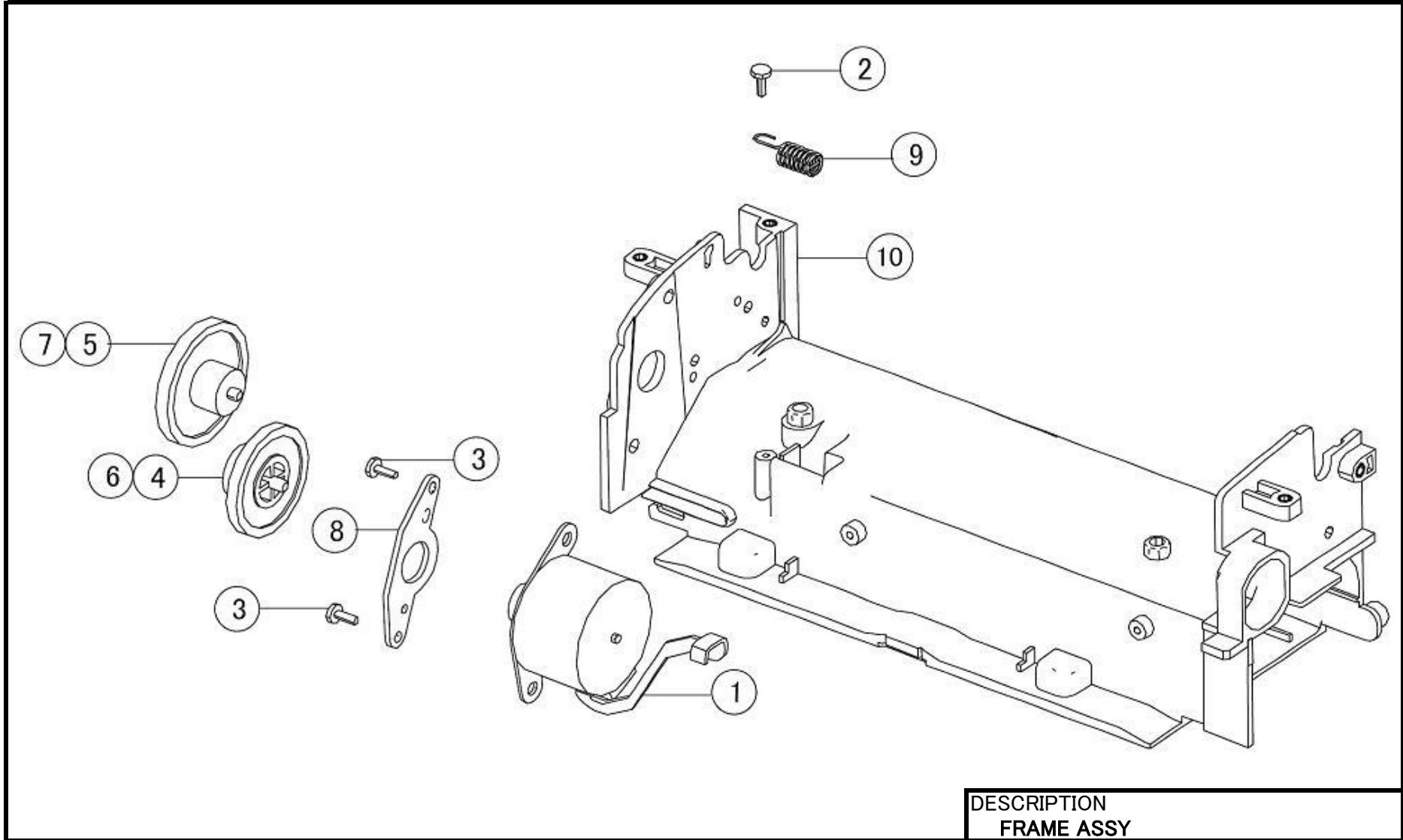
| | First_Code | Description | Standard | Std_List Price |
|----|------------|------------------------|----------|----------------|
| 1 | M16249000 | BIND P TIGHT | | |
| 2 | M16251000 | BIND SCREW | | |
| 3 | ND0020030 | E SNAP RING | | |
| 4 | P19484000 | SPRING(DISPENSE)LH | | |
| 5 | P19485000 | SPRING(DISPENSE)RH | | |
| 6 | P12362001 | CAP(TOP COVER R) | | |
| 7 | P12363001 | CAP(TOP COVER L) | | |
| 8 | P12369001 | SCREW(L40) | | |
| 9 | P14294000 | SUPPORTER(LH) | | |
| 10 | P14295000 | SUPPORTER(RH) | | |
| 11 | P14353000 | P ROLLER(D) | | |
| 12 | P19424000 | DISPENSE FRAME | | |
| 13 | P19426000 | LOCK LEVER | | |
| 14 | P19428000 | BATTERY LEVER | | |
| 15 | P19430000 | LABEL GUIDE (LH) | | |
| 16 | P19431000 | LABEL GUIDE(RH) | | |
| 17 | R10134000 | DISPENSE ARM SET | | |
| 18 | P19436000 | I/F COVER | | |
| 19 | P19437000 | DC COVER | | |
| 20 | P19438000 | BATTERY COVER | | |
| 21 | P19448000 | GEAR(LABEL GUIDE) | | |
| 22 | P19481000 | SPRING(BATTERY) | | |
| 23 | P19483000 | SPRING(HINGE) | | |
| 24 | P19486000 | SHAFT(OPEN COVER) | | |
| 25 | P19487000 | SHAFT(LABEL GUIDE) | | |
| 26 | P19488000 | SHAFT(GUIDE ROLLER) | | |
| 27 | P19492000 | DISPENSE BAR | | |
| 28 | P19504000 | SPRING(LOCK LEVER) | | |
| 29 | P19665000 | SHAFT(DISPENSE) | | |
| 30 | P20058000 | SLIDE COVER | | |
| 31 | R05678000 | LCD SET | | |
| 32 | R09313000 | PLATEN ROLLER SUB ASSY | | |
| 33 | R09315000 | TOP COVER SET | | |
| 34 | R09316000 | FRONT PANEL SET(STD) | | |
| 35 | R09317000 | FRONT PANEL SET(LCD) | | |
| 36 | R09147000 | KB PCB SET-LF | | |
| 37 | M16255000 | PAN HEAD SCREW | | |
| 38 | M16250000 | PAN HEAD SCREW+SW+WS | | |



MB4XXi SERVICE PARTS LIST

AssyName BASE COVER ASSY(2)

| | First_Code | Description | Standard | Std_List Price |
|----|------------|---|----------|----------------|
| 1 | H00961000 | FFC(CONT-A TO KB) | | |
| 2 | H01433000 | FFC-LF | | |
| 3 | H01435000 | FFC-LF | | |
| 4 | M16249000 | BIND P TIGHT | | |
| 5 | R05432000 | Bluetooth Radio Board | | |
| 6 | R08799000 | COVEROPEN SENSOR PWB ASSY | | |
| 7 | R08801000 | IM SENSOR ASSY | | |
| 8 | R08802000 | POWER CABLE ASSY-LF | | |
| 10 | R09146000 | CONT-B PCB SET-LF | | |
| 12 | R09151000 | DIS SENSOR ASSY-LF | | |
| 13 | R09152000 | SIGNAL CABLE ASSY-LF | | |
| 14 | R10481000 | WIRELESS LAN PCB SET (T110/g) MB4XXi | | |
| 15 | R09145000 | CONT-A PCB SET(MB4)-LF | | |

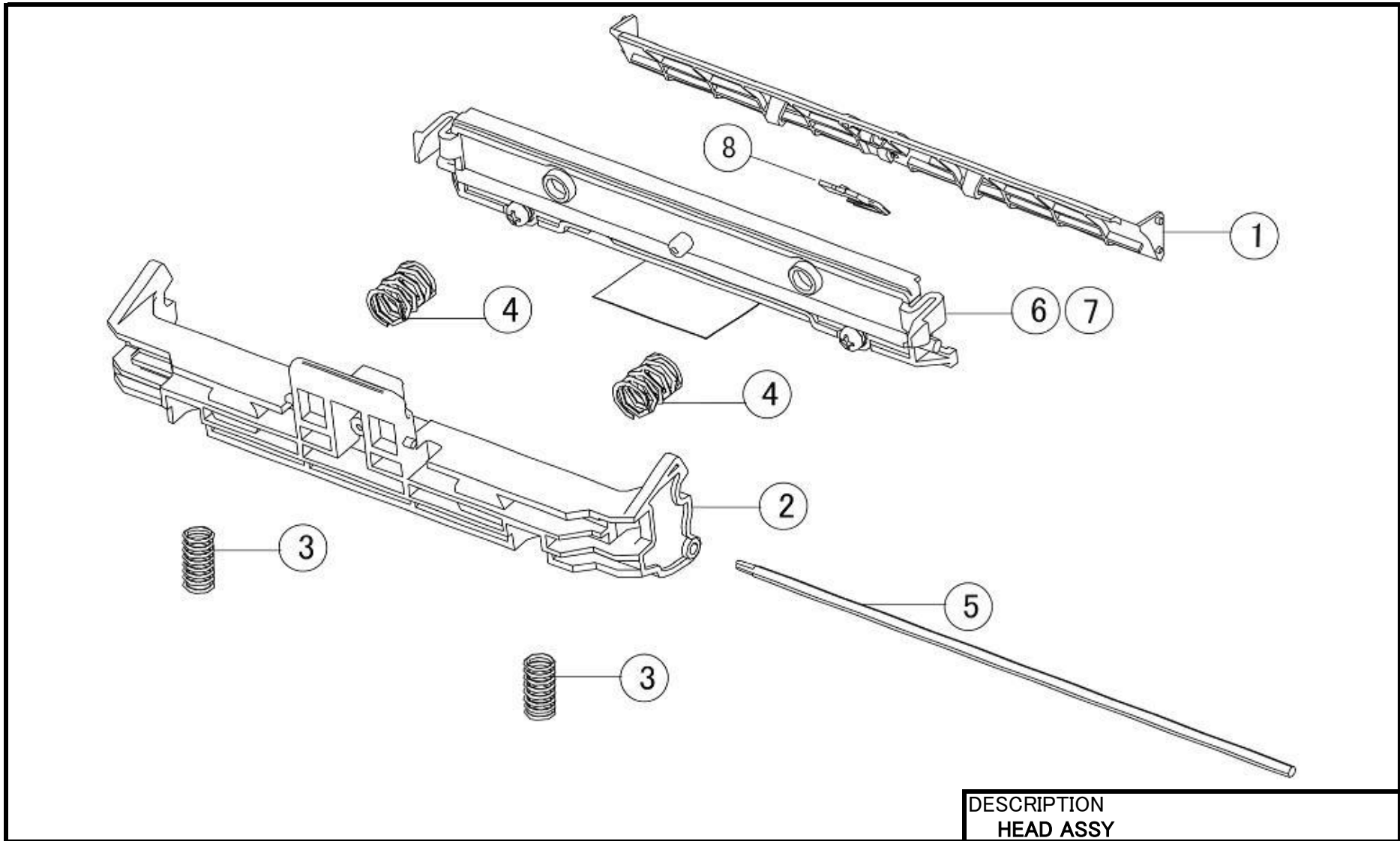


DESCRIPTION
FRAME ASSY

MB4XXi SERVICE PARTS LIST

AssyName FRAME ASSY

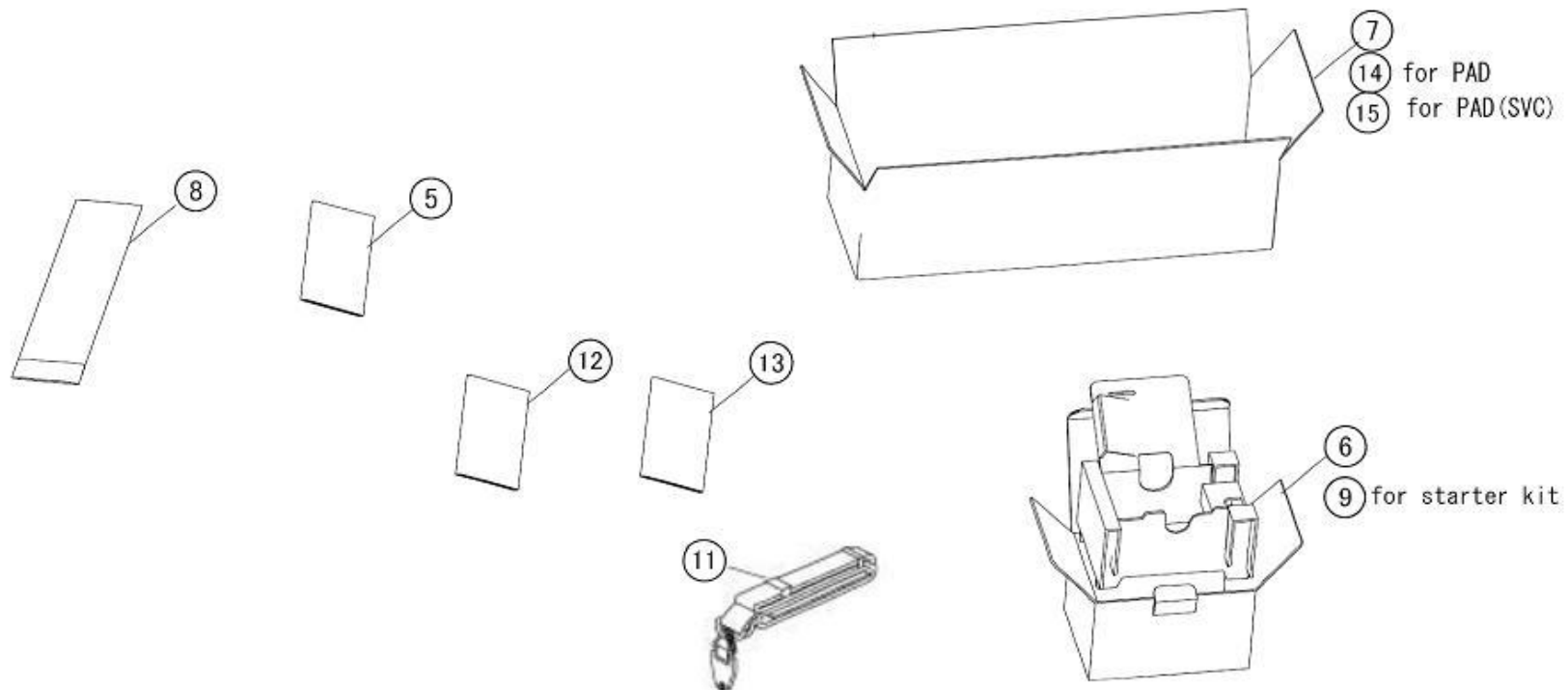
| | First_Code | Description | Standard | Std_List Price |
|----|-------------------|-----------------------|-----------------|-----------------------|
| 1 | K00198000 | STEPPING MOTOR | | |
| 2 | M16249000 | BIND P TIGHT | | |
| 3 | MD3260622 | PAN HEAD SCREW | | |
| 4 | P19451000 | GEAR(IDLE A 203DPI) | | |
| 5 | P19452000 | GEAR(IDLE B 203DPI) | | |
| 6 | P19453000 | GEAR(IDLE A 305DPI) | | |
| 7 | P19454000 | GEAR(IDLE B 305DPI) | | |
| 8 | P19491000 | MOTOR BR | | |
| 9 | P22029000 | SPRING(BATTERY EJECT) | | |
| 10 | R09318000 | FRAME SET | | |



MB4XXi SERVICE PARTS LIST

AssyName HEAD ASSY

| | First_Code | Description | Standard | Std_List Price |
|---|-------------------|-----------------------|-----------------|-----------------------|
| 1 | P19425000 | GAP SENSOR GUIDE | | |
| 2 | P19433000 | COVER LOCK ARM | | |
| 3 | P19474000 | SPRING(LOCK ARM) | | |
| 4 | P19482000 | SPRING(HEAD) | | |
| 5 | P19489000 | SHAFT(LOCK ARM) | | |
| 6 | R09304000 | HEAD SUB ASSY(203DPI) | | |
| 7 | R09305000 | HEAD SUB ASSY(305DPI) | | |
| 8 | R09149000 | GAP SENSOR ASSY-LF | | |



DESCRIPTION
ATTACHMENT ASSY

MB4XXi SERVICE PARTS LIST

AssyName ATACHMENT ASSY

| | First_Code | Description | Standard | Std_List Price |
|----|------------|-------------------|----------|----------------|
| 1 | PR7694900 | MAINTENANCE GUIDE | | |
| 4 | Q01753000 | OPERATION MANUAL | | |
| 5 | Q01662000 | QUICK GUIDE | | |
| 6 | R09324000 | PACKING SET | | |
| 7 | Q01665000 | CARTON CASE(10) | | |
| 8 | QB2042336 | CUSHION | | |
| 9 | | PACKING SET | | |
| 11 | | SHOULDER BELT | | |
| 12 | Q01013002 | GWP-LEAFLET | | |
| 13 | | Leaflet | | |
| 14 | | 2008FOOMA JAPAN | | |
| 15 | R14557000 | PACKING SET | | |