

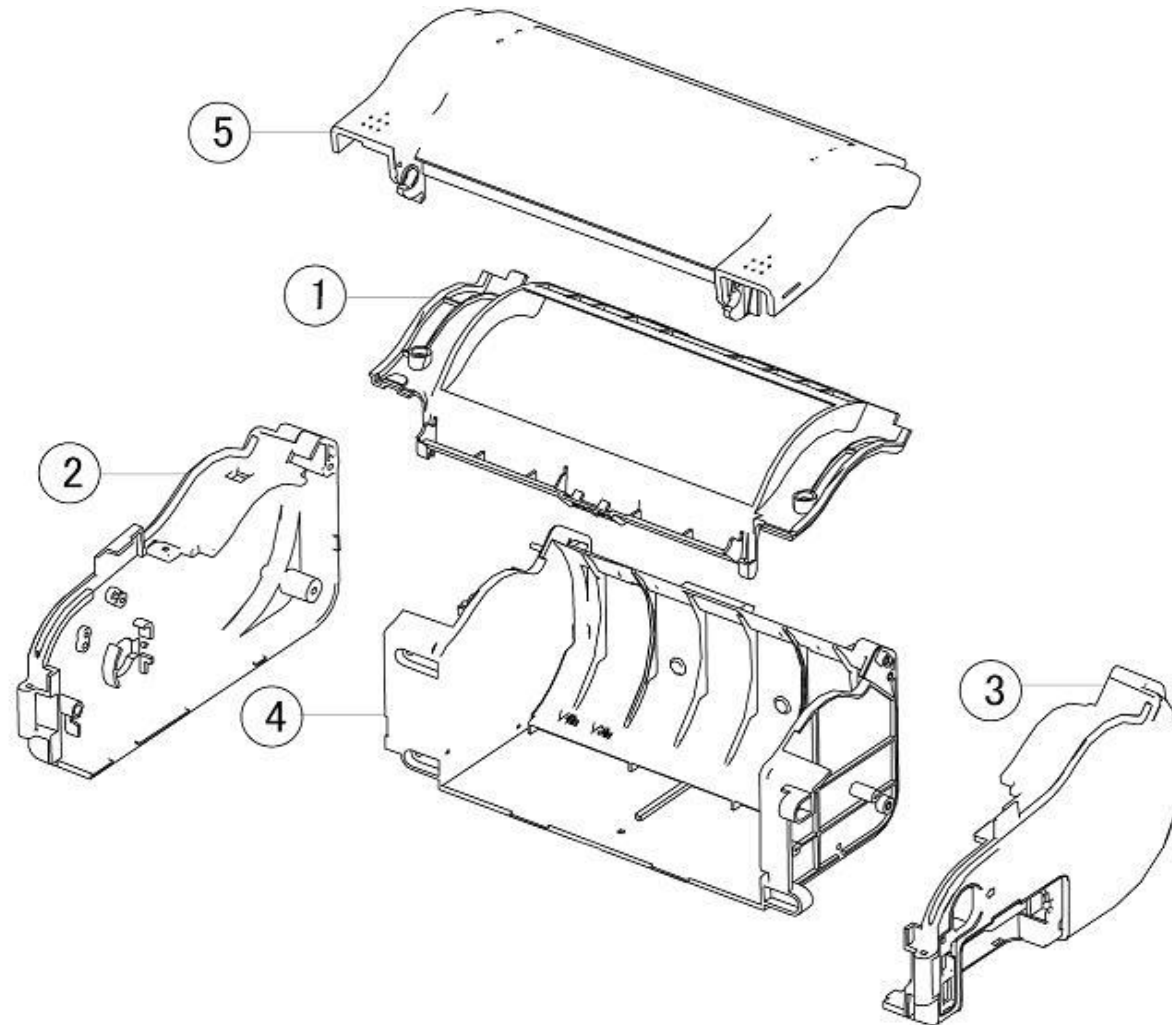


MB4XXi SERVICE PARTS LIST



Valid as of
Feb 1st, 2010

SATO CORPORATION . TOKYO. JAPAN

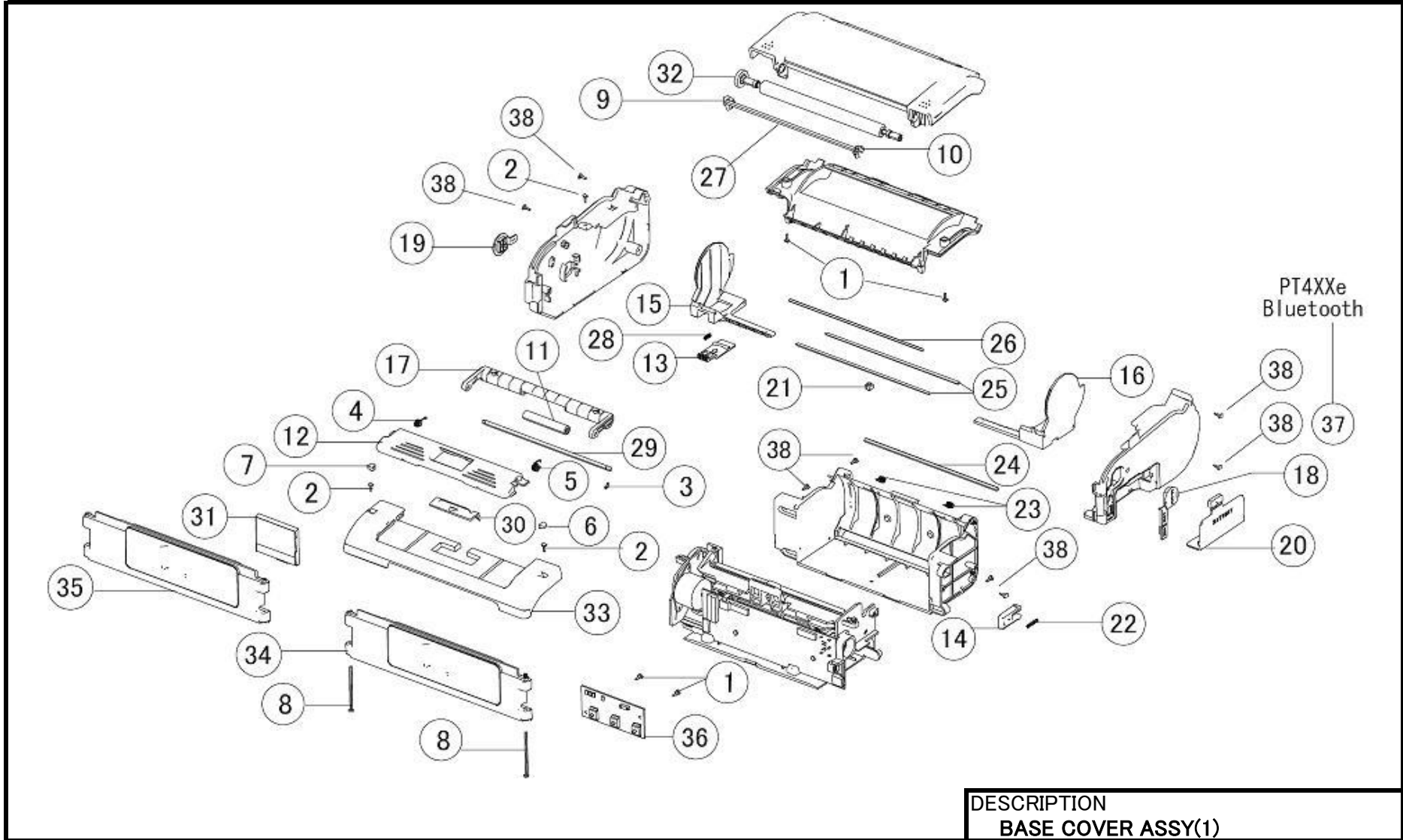


DESCRIPTION
COVER(67) ASSY

MB4XXi SERVICE PARTS LIST

AssyName COVER(67) ASSY

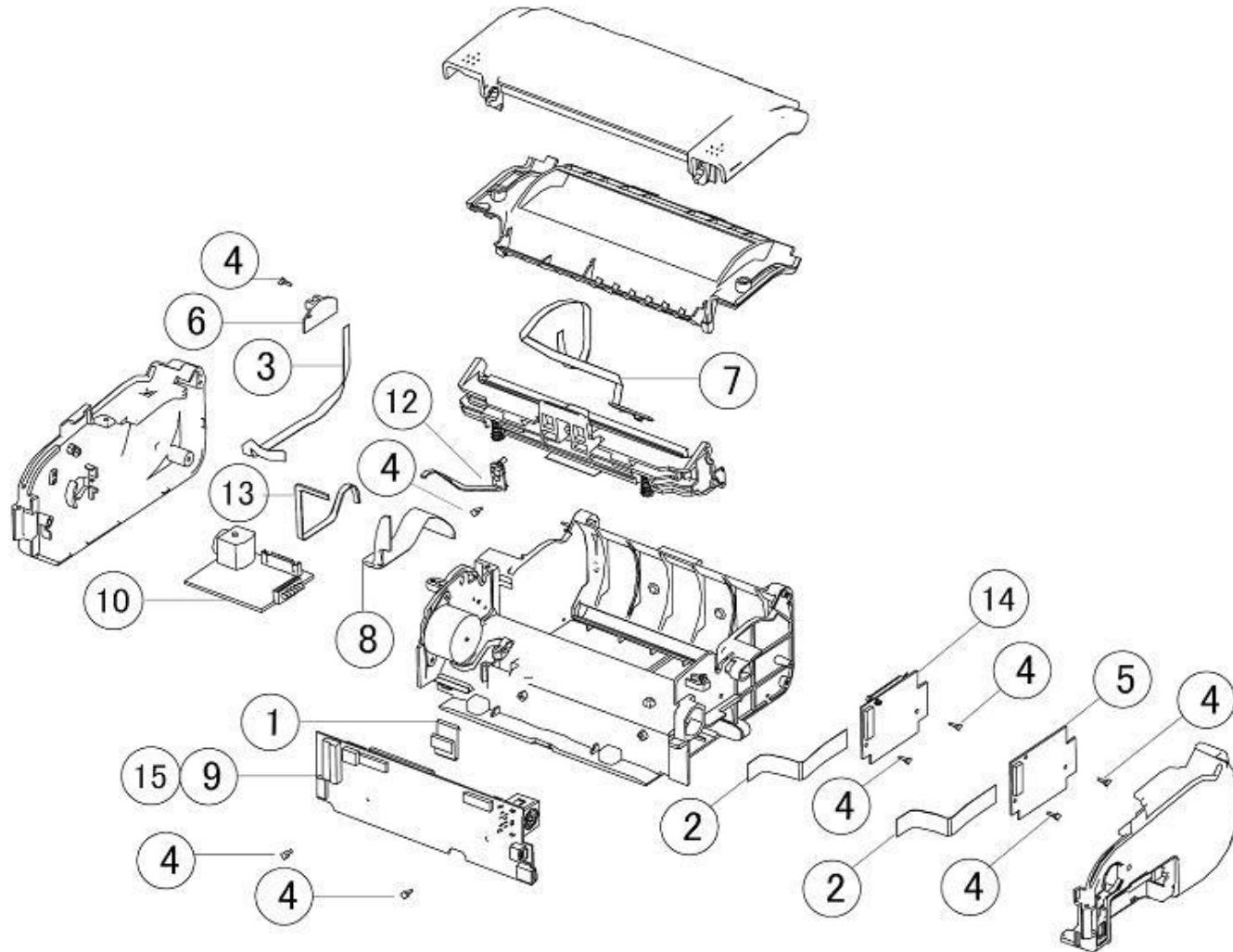
No	First_Code	Description	Standard	Std_List Price
1	P19439000	INNER COVER(67)		
2	P19441000	COVER LH(67)		
3	P19442000	COVER RH(67)		
4	R09312000	BOTTOM CASE SET(67)		
5	R09921000	OPEN COVER(67)SET		



MB4XXi SERVICE PARTS LIST

AssyName BASE COVER ASSY(1)

No	First_Code	Description	Standard	Std_List Price
1	M16249000	BIND P TIGHT		
2	M16251000	BIND SCREW		
3	ND0020030	E SNAP RING		
4	P19484000	SPRING(DISPENSE)LH		
5	P19485000	SPRING(DISPENSE)RH		
6	P12362001	CAP(TOP COVER R)		
7	P12363001	CAP(TOP COVER L)		
8	P12369001	SCREW(L40)		
9	P14294000	SUPPORTER(LH)		
10	P14295000	SUPPORTER(RH)		
11	P14353000	P ROLLER(D)		
12	P19424000	DISPENSE FRAME		
13	P19426000	LOCK LEVER		
14	P19428000	BATTERY LEVER		
15	P19430000	LABEL GUIDE (LH)		
16	P19431000	LABEL GUIDE(RH)		
17	R10134000	DISPENSE ARM SET		
18	P19436000	I/F COVER		
19	P19437000	DC COVER		
20	P19438000	BATTERY COVER		
21	P19448000	GEAR(LABEL GUIDE)		
22	P19481000	SPRING(BATTERY)		
23	P19483000	SPRING(HINGE)		
24	P19486000	SHAFT(OPEN COVER)		
25	P19487000	SHAFT(LABEL GUIDE)		
26	P19488000	SHAFT(GUIDE ROLLER)		
27	P19492000	DISPENSE BAR		
28	P19504000	SPRING(LOCK LEVER)		
29	P19665000	SHAFT(DISPENSE)		
30	P20058000	SLIDE COVER		
31	R05678000	LCD SET		
32	R09313000	PLATEN ROLLER SUB ASSY		
33	R09315000	TOP COVER SET		
34	R09316000	FRONT PANEL SET(STD)		
35	R09317000	FRONT PANEL SET(LCD)		
36	R09147000	KB PCB SET-LF		
37	M16255000	PAN HEAD SCREW		
38	M16250000	PAN HEAD SCREW+SW+WS		

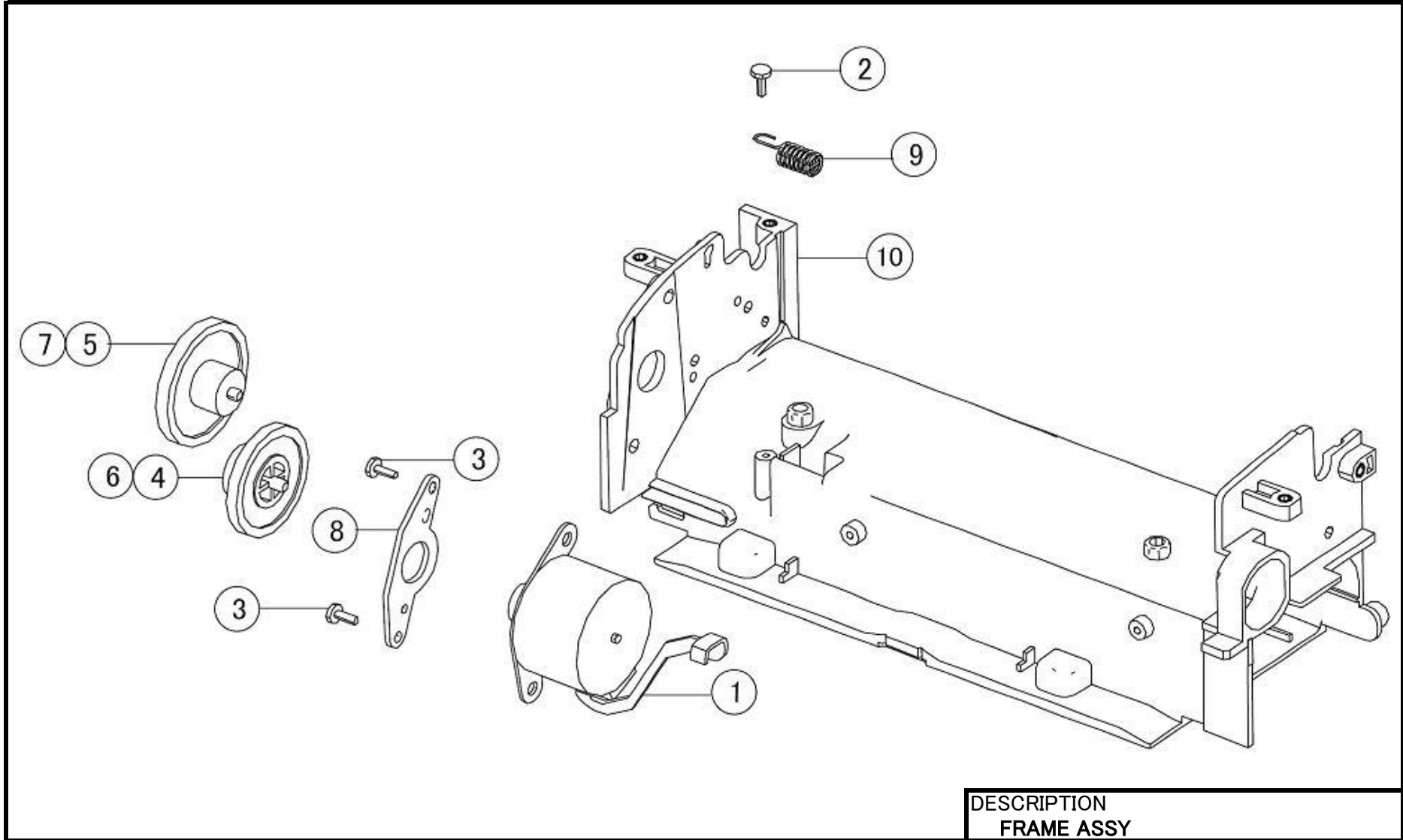


DESCRIPTION
BASE COVER ASSY(2)

MB4XXi SERVICE PARTS LIST

AssyName BASE COVER ASSY(2)

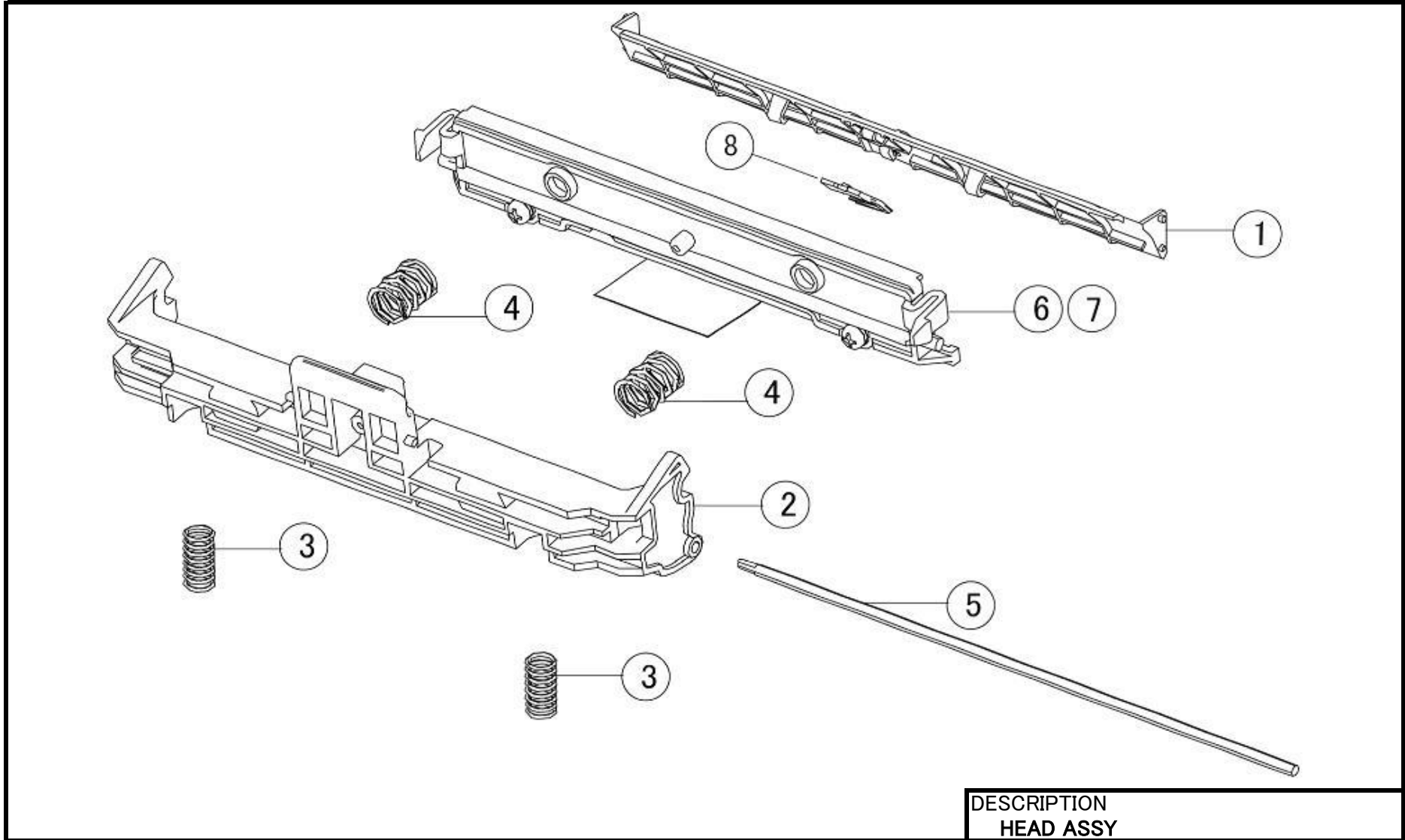
No	First_Code	Description	Standard	Std_List Price
1	H00961000	FFC(CONT-A TO KB)		
2	H01433000	FFC-LF		
3	H01435000	FFC-LF		
4	M16249000	BIND P TIGHT		
5	R05432000	Bluetooth Radio Board		
6	R08799000	COVEROPEN SENSOR PWB ASSY		
7	R08801000	IM SENSOR ASSY		
8	R08802000	POWER CABLE ASSY-LF		
10	R09146000	CONT-B PCB SET-LF		
12	R09151000	DIS SENSOR ASSY-LF		
13	R09152000	SIGNAL CABLE ASSY-LF		
14	R09300000	WIRELESS LAN PCB SET(11b/g)		
15	R09145000	CONT-A PCB SET(MB4)-LF		



MB4XXi SERVICE PARTS LIST

AssyName FRAME ASSY

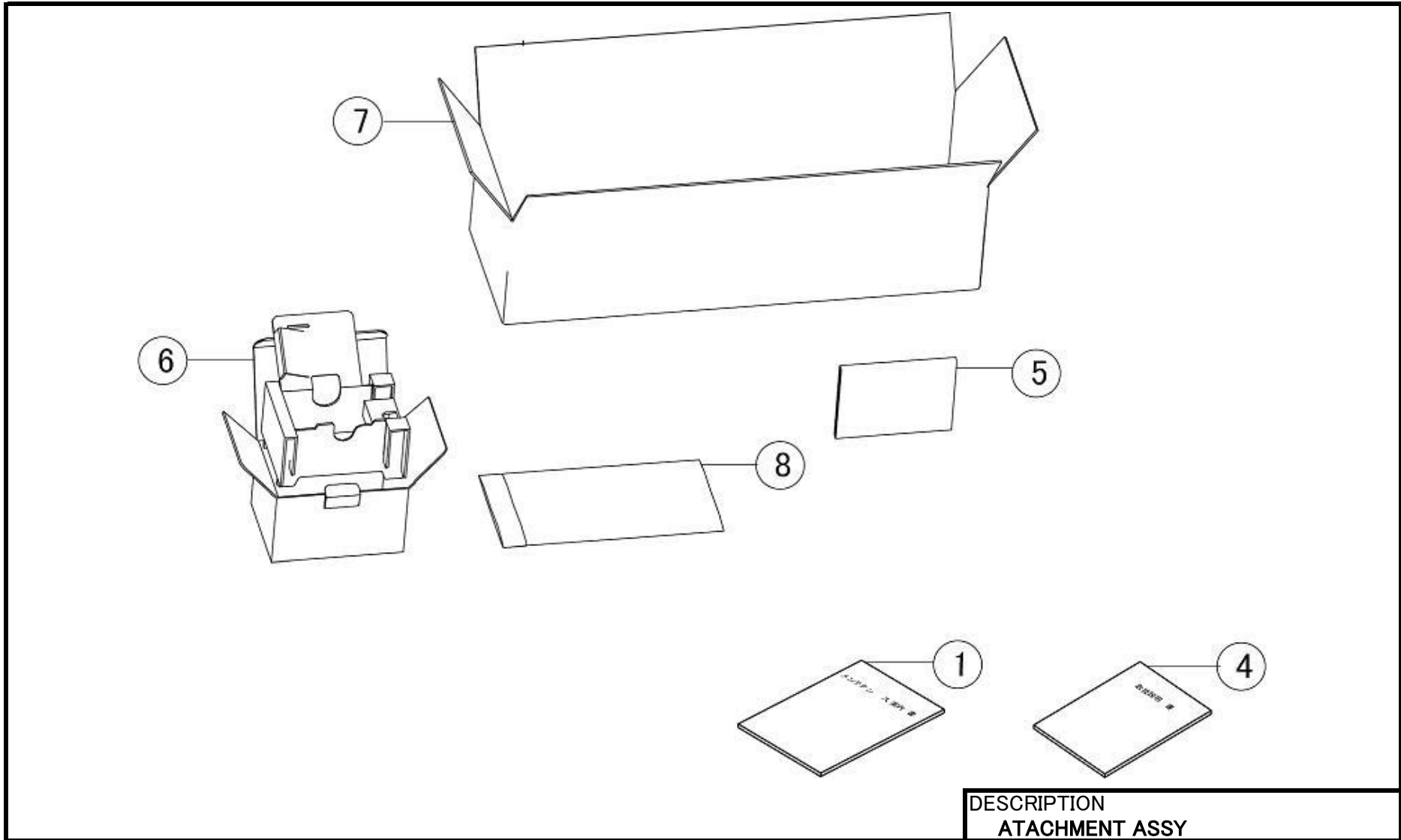
No	First_Code	Description	Standard	Std_List Price
1	K00198000	STEPPING MOTOR		
2	M16249000	BIND P TIGHT		
3	MD3260622	PAN HEAD SCREW		
4	P19451000	GEAR(IDLE A 203DPI)		
5	P19452000	GEAR(IDLE B 203DPI)		
6	P19453000	GEAR(IDLE A 305DPI)		
7	P19454000	GEAR(IDLE B 305DPI)		
8	P19491000	MOTOR BR		
9	P22029000	SPRING(BATTERY EJECT)		
10	R09318000	FRAME SET		



MB4XXi SERVICE PARTS LIST

AssyName HEAD ASSY

No	First_Code	Description	Standard	Std_List Price
1	P19425000	GAP SENSOR GUIDE		
2	P19433000	COVER LOCK ARM		
3	P19474000	SPRING(LOCK ARM)		
4	P19482000	SPRING(HEAD)		
5	P19489000	SHAFT(LOCK ARM)		
6	R09304000	HEAD SUB ASSY(203DPI)		
7	R09305000	HEAD SUB ASSY(305DPI)		
8	R09149000	GAP SENSOR ASSY-LF		



MB4XXi SERVICE PARTS LIST

AssyName ATACHMENT ASSY

No	First_Code	Description	Standard	Std_List Price
1	PR7694900	MAINTENANCE GUIDE		
4	Q01753000	OPERATION MANUAL		
5	Q01662000	QUICK GUIDE		
6	R09324000	PACKING SET		
7	Q01665000	CARTON CASE(10)		
8	QB2042336	CUSHION		