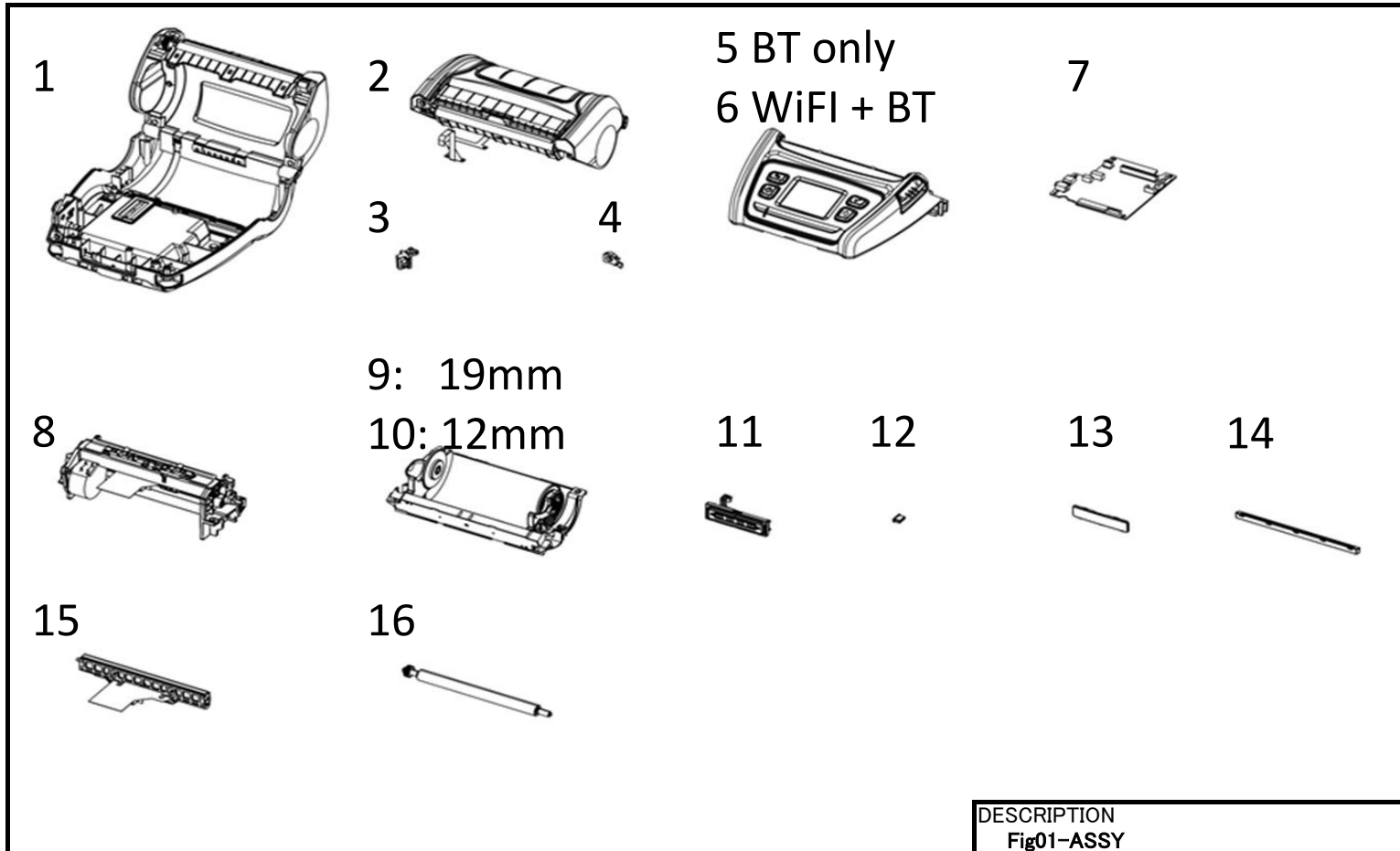


## PV4 SERVICE PARTS LIST



SATO Europe GmbH



NO.	First_Code	Description	QTY	NOTE
1	AZ09-00085I-AS	ASSY-COVER-LOWER-I; standard PLATEN-ROLLER Notice) NFC silk printing is on its left side.	1	
2	AZ09-00086I-AS	ASSY-COVER-PAPER-I; standard PLATEN-ROLLER Notice) NFC silk printing is on its left side.	1	
3	AZ09-00089A-AS	ASSY-HOUSING-HOLDER-STRAP (10pcs)	1	
4	AZ09-00088A-AS	ASSY-HOLDER-PLATEN-CAP (10pcs)	1	
5	AZ09-00093I-AS	ASSY-COVER-UPPER-I; Notice) Include ASSY-PCB-LCD-CONTROL-FFC & Bluetooth module. (Exclude Wifi module)	1	
6	AZ09-00094H-AS	ASSY-COVER-UPPER-IW; Notice) Include ASSY-PCB-LCD-CONTROL-W-FFC & Bluetooth module & Wifi module.	1	
7	AZ09-00095A-AS	ASSY-PCB-MAIN	1	
8	AZ09-00096A-AS	ASSY-FRAME-MAIN-NR	1	
9	AZ09-00098A-AS	ASSY-FRAME-PAPER; Paper disks for 19mm inner core	1	
10	AZ09-00099A-AS	ASSY-FRAME-PAPER; Paper disks for 12mm inner core	1	
11	AZ09-00100A-AS	ASSY-TERMINAL (10pcs)	1	
12	AZ09-00101A-AS	ASSY-COVER-CAP-USB (10pcs)	1	
13	AZ09-00102A-AS	ASSY-COVER-CAP-TERMINAL (10pcs)	1	
14	AZ09-00103A-AS	ASSY-COVER-CAP-FANFOLD (10pcs)	1	
15	AZ09-00097A-AS	ASSY-TPH	1	
16	AZ09-00087A-AS1	ASSY-PLATEN-ROLLER; standard PLATEN-ROLLER	1	