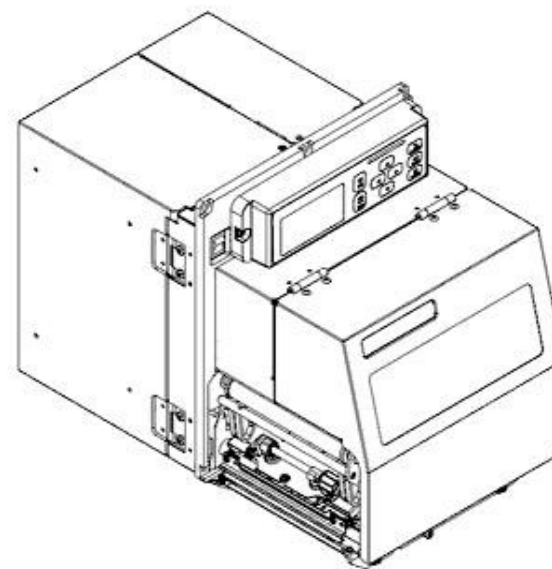
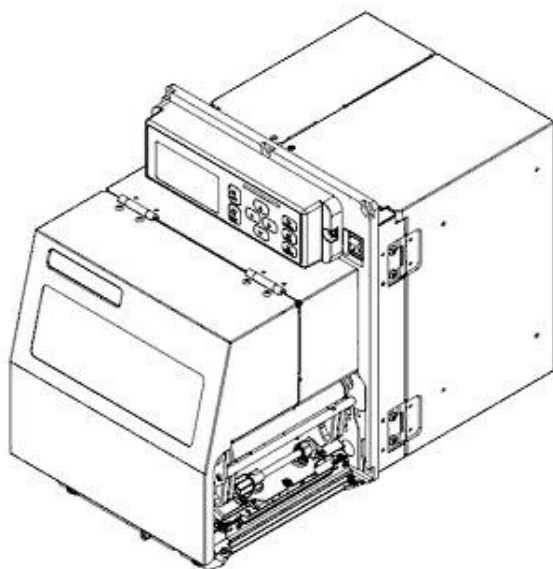




S84XX-ex S86XX-ex SERVICE PARTS LIST

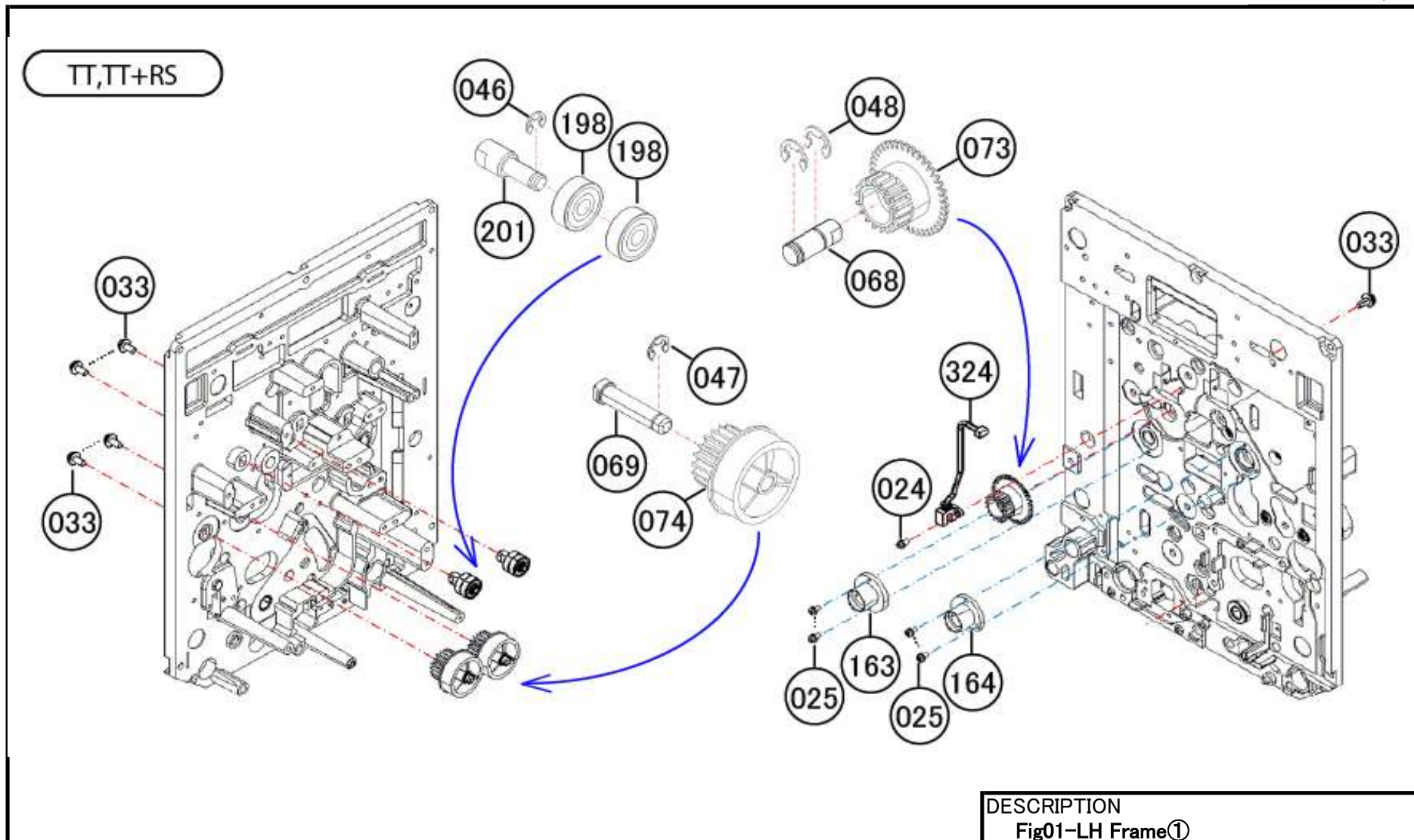


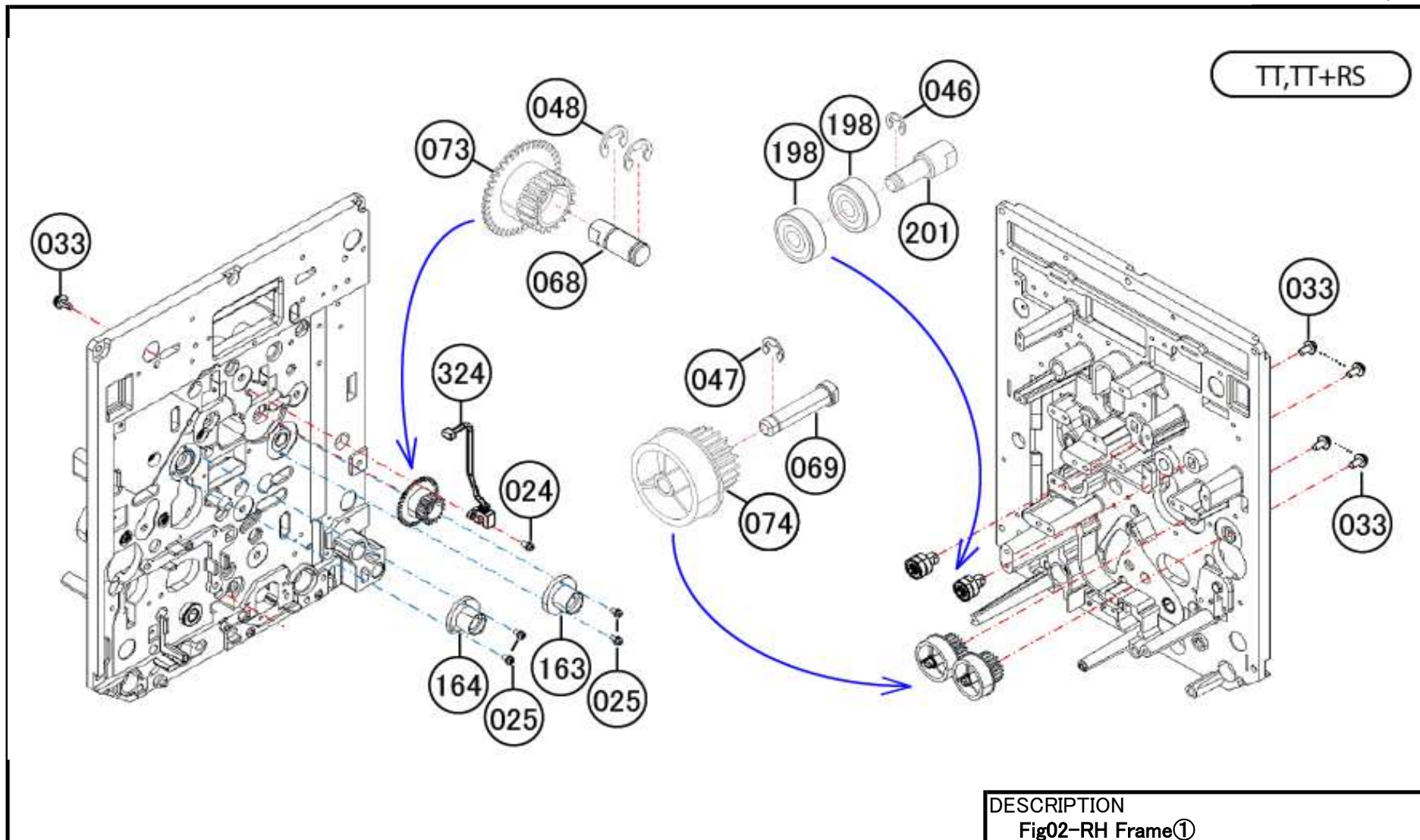
15 Dec,2014

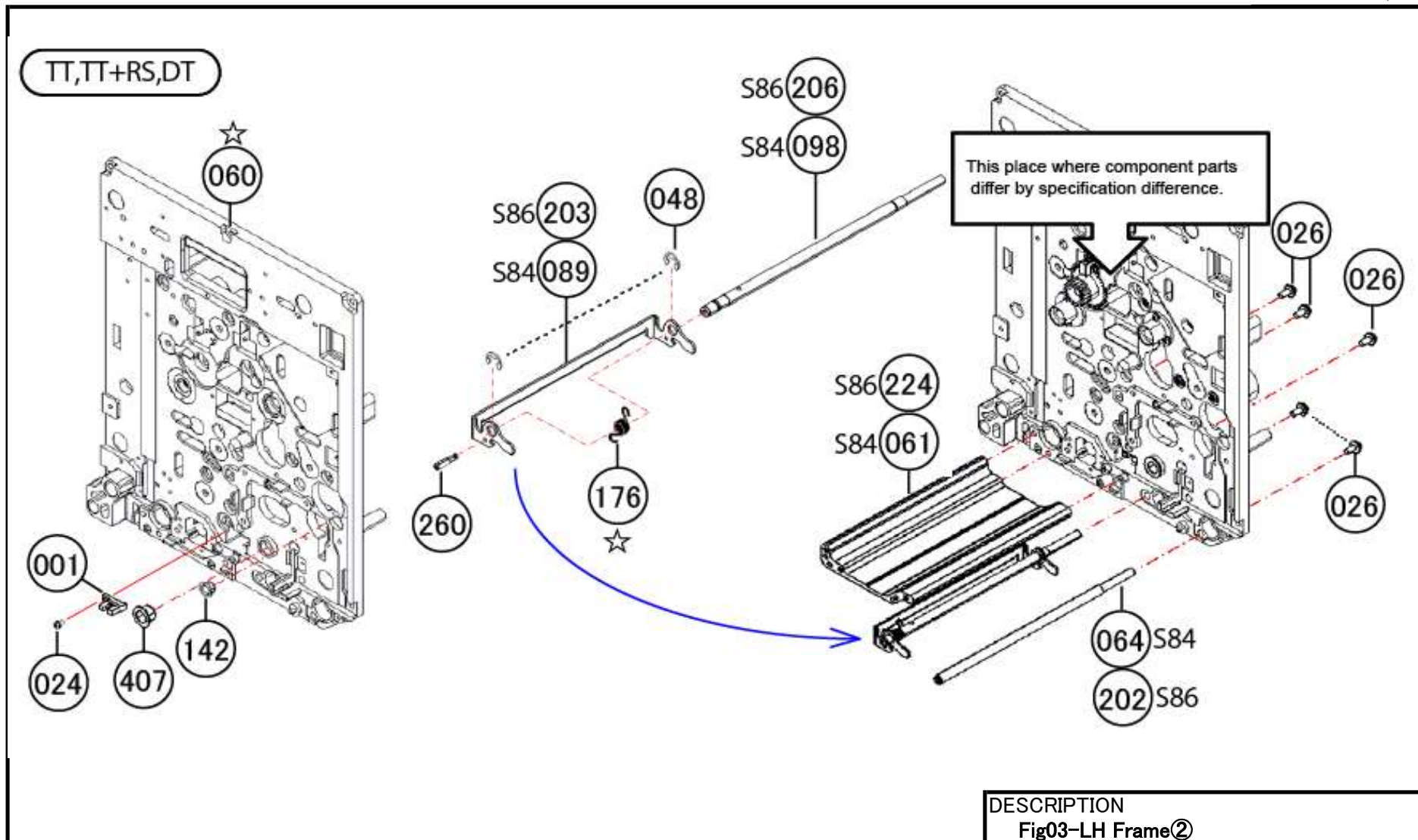
WWS830800

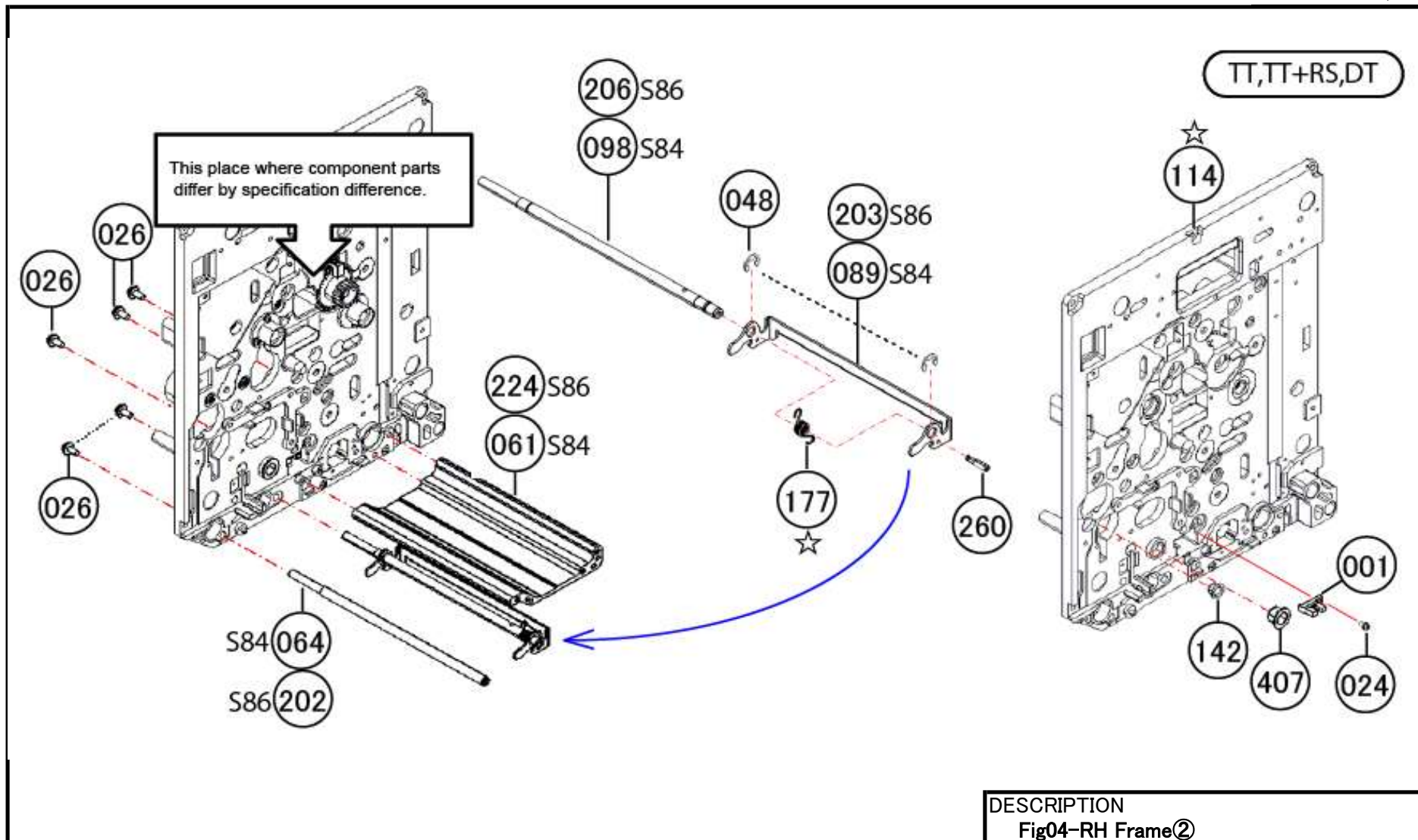
RV00862

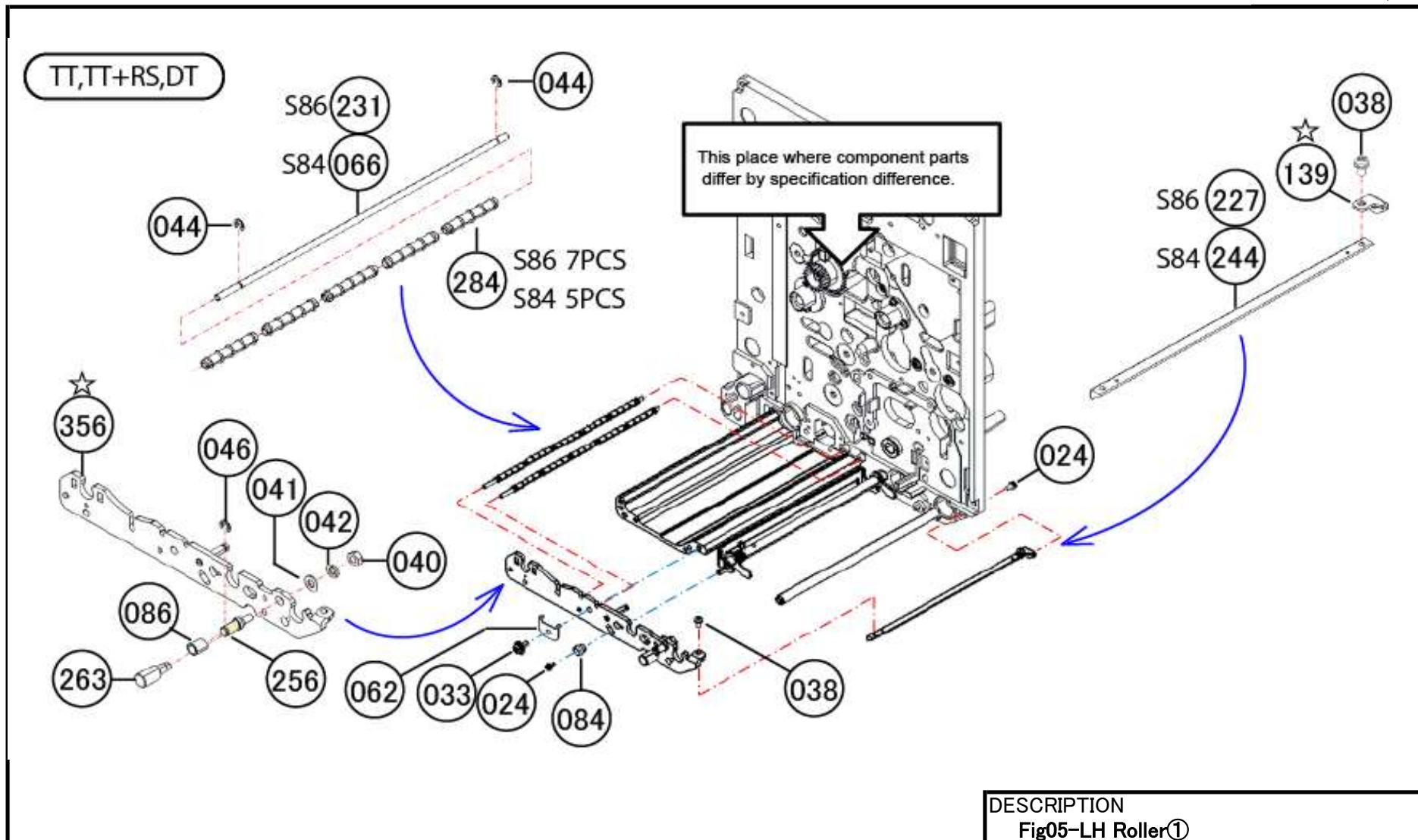
SATO CORPORATION . TOKYO. JAPAN

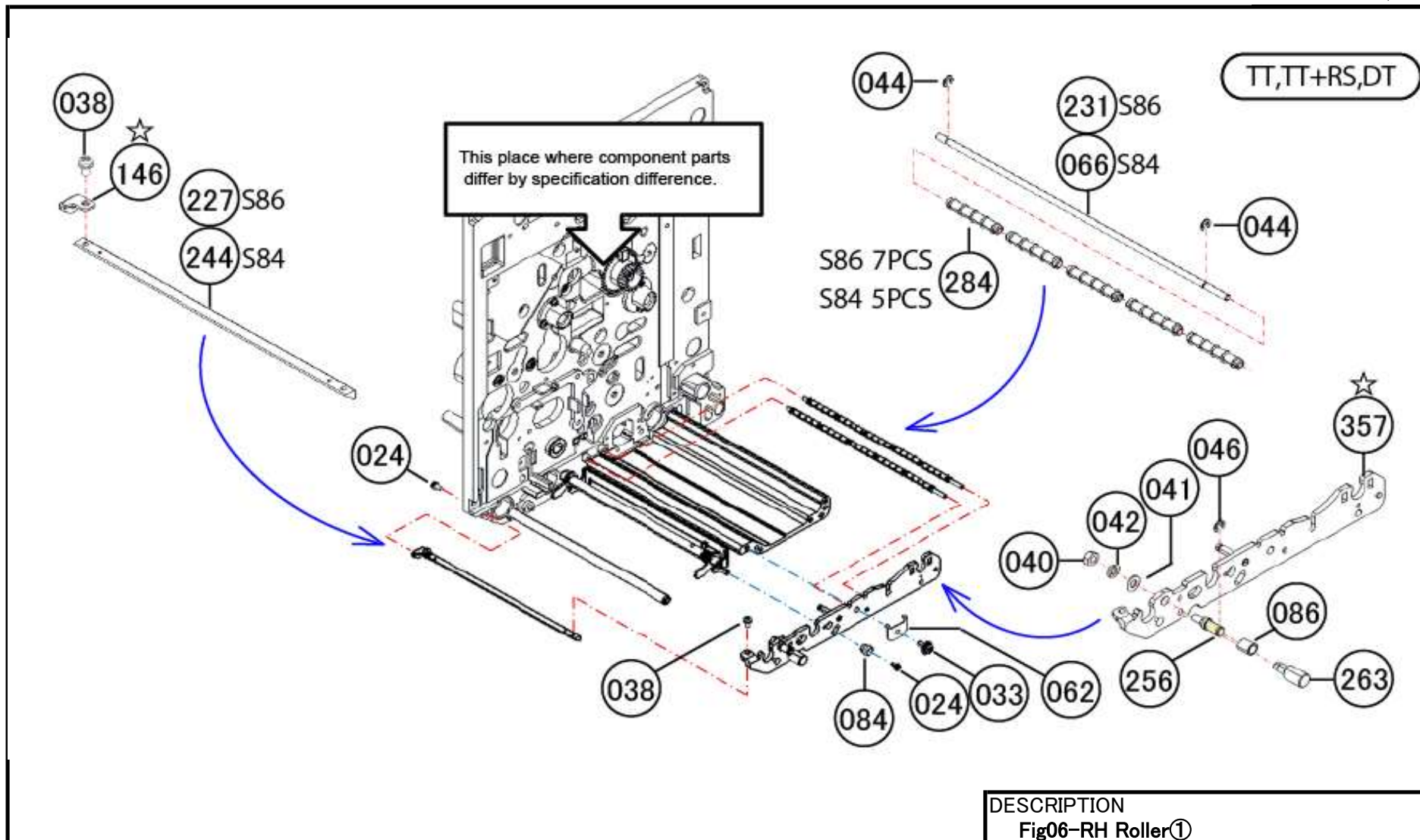




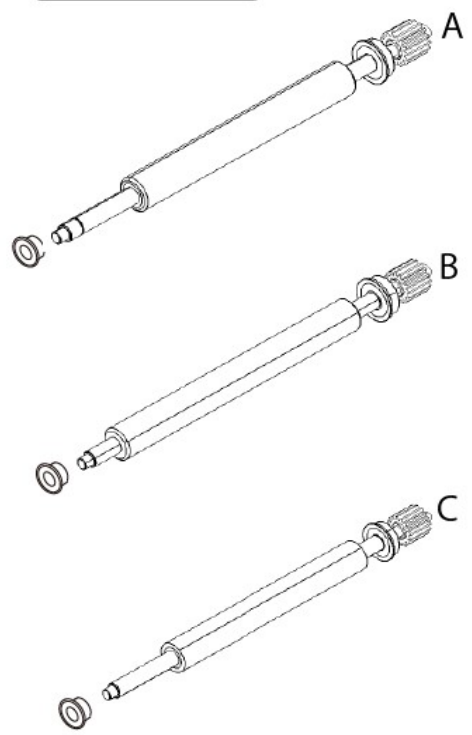






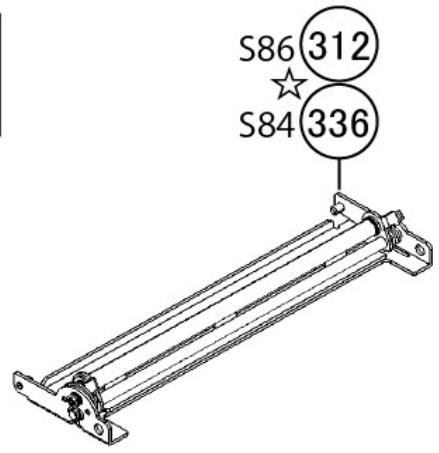
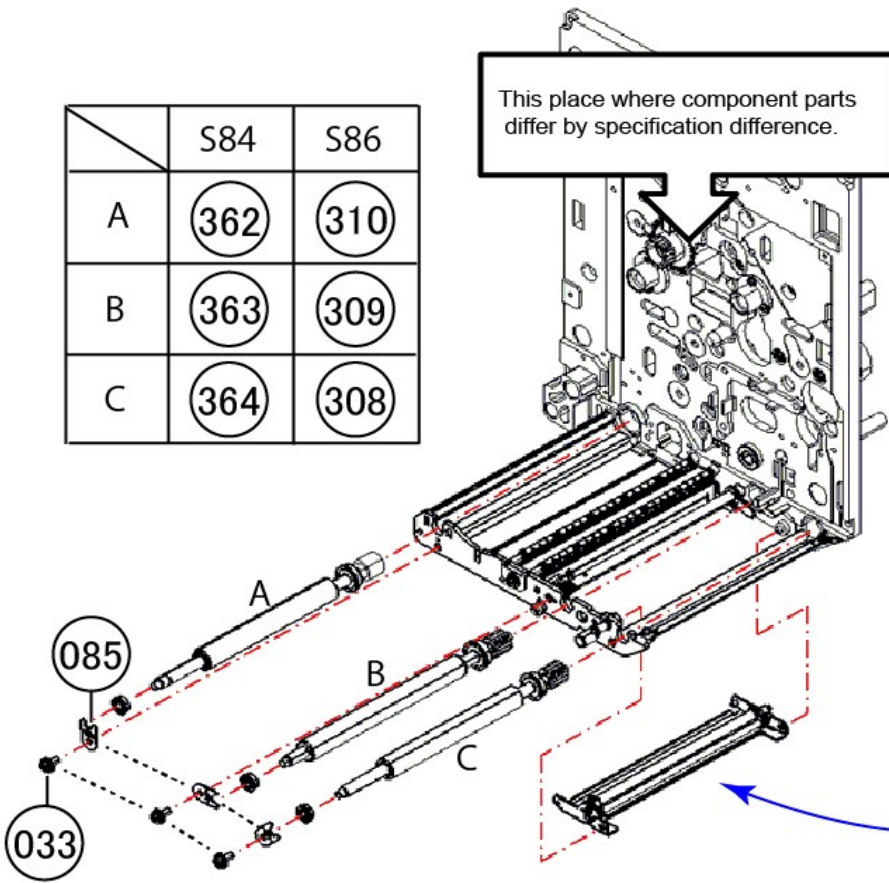


TT,TT+RS,DT



	S84	S86
A	362	310
B	363	309
C	364	308

This place where component parts differ by specification difference.



Refer to Fig73 for the composition of this assembly parts.

DESCRIPTION
Fig07-LH Roller②

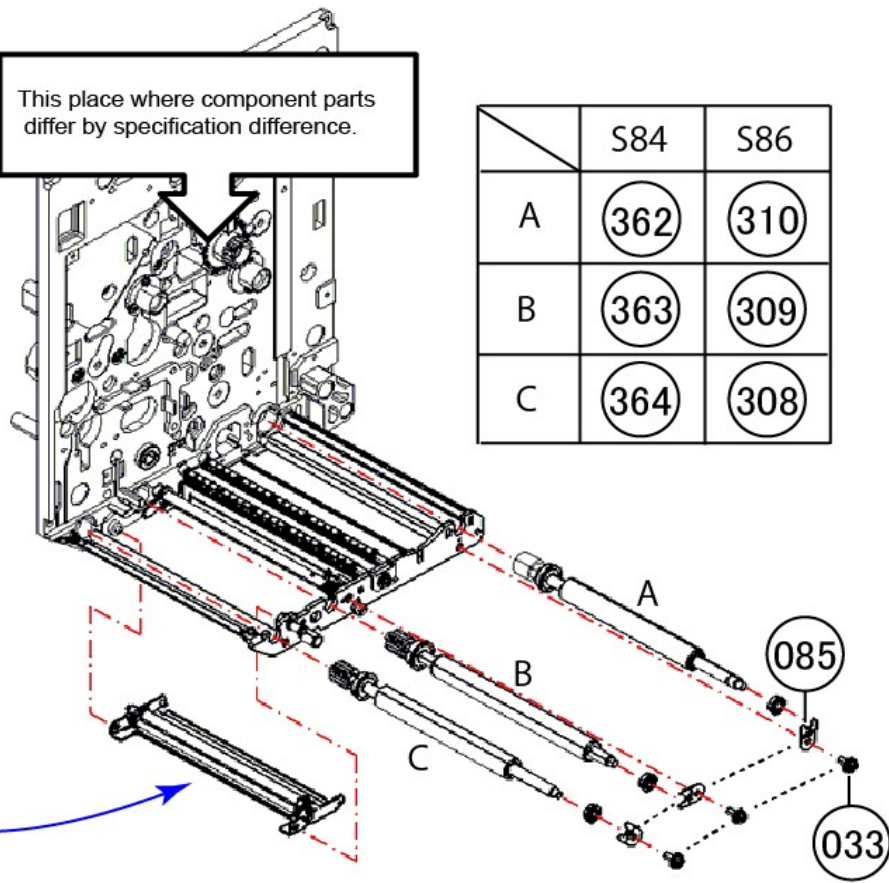
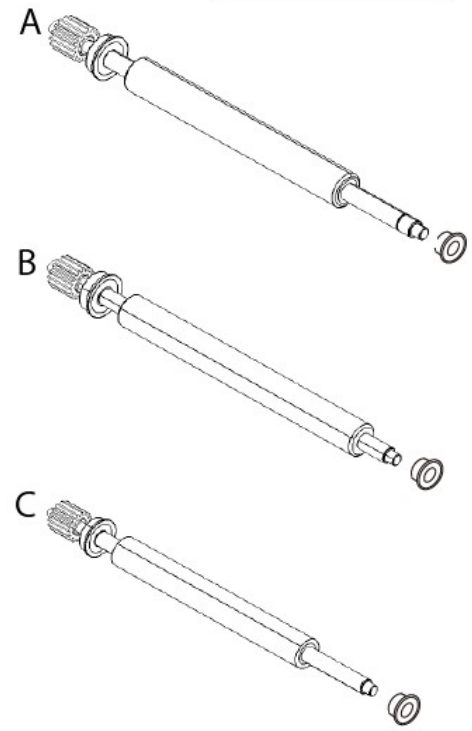
TT,TT+RS,DT

331 S86
 ☆
 337 S84

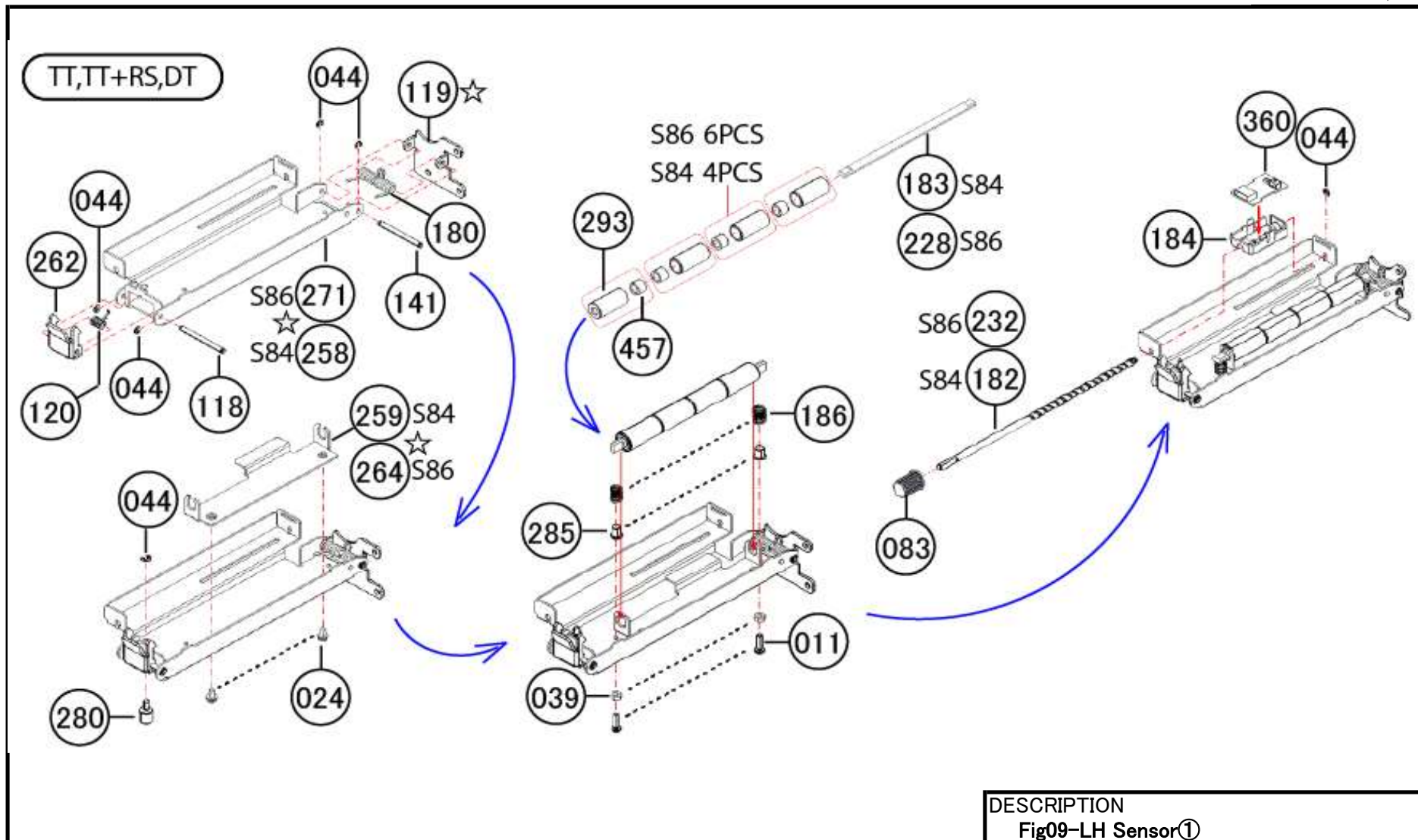
This place where component parts differ by specification difference.

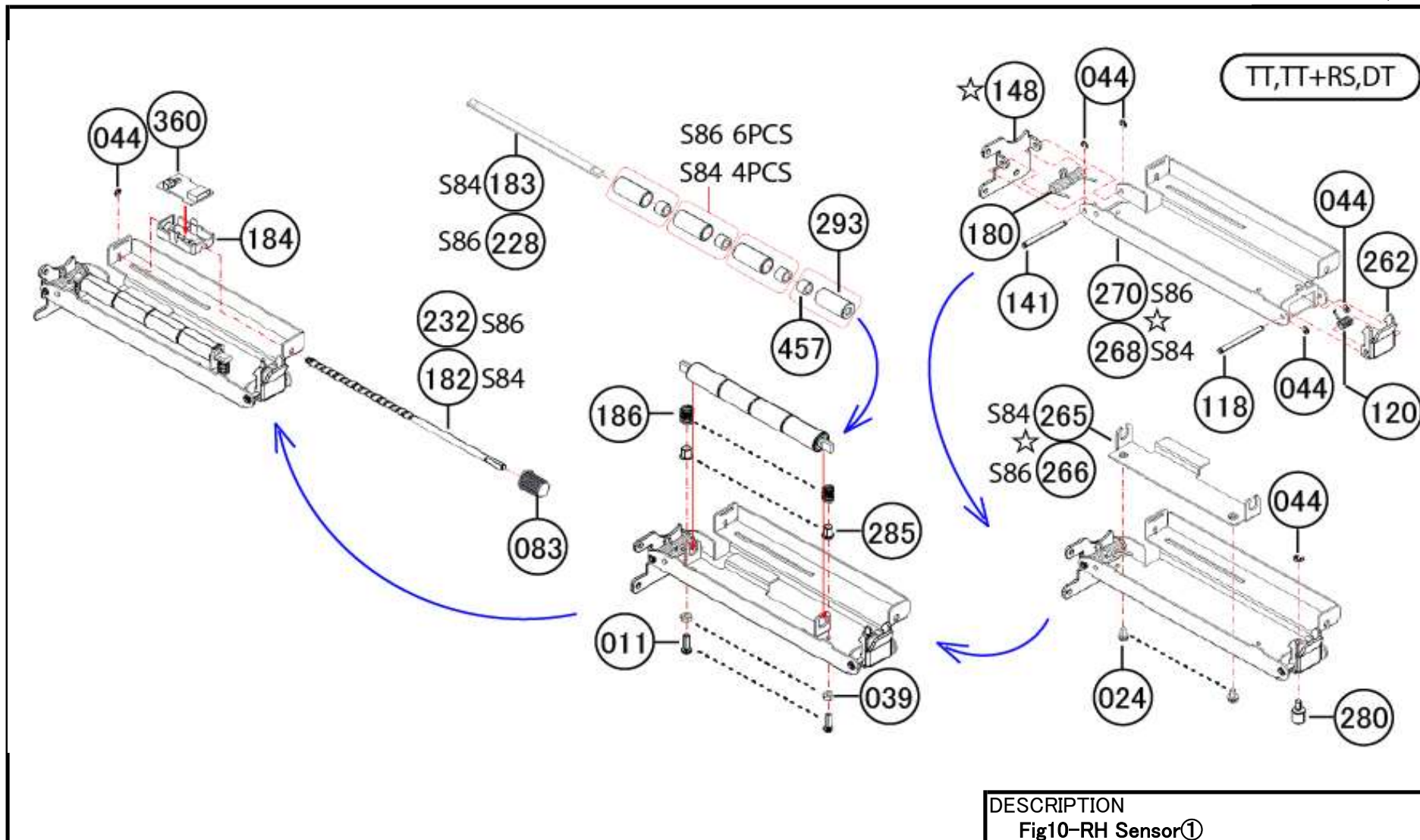
	S84	S86
A	362	310
B	363	309
C	364	308

Refer to Fig73 for the composition of this assembly parts.

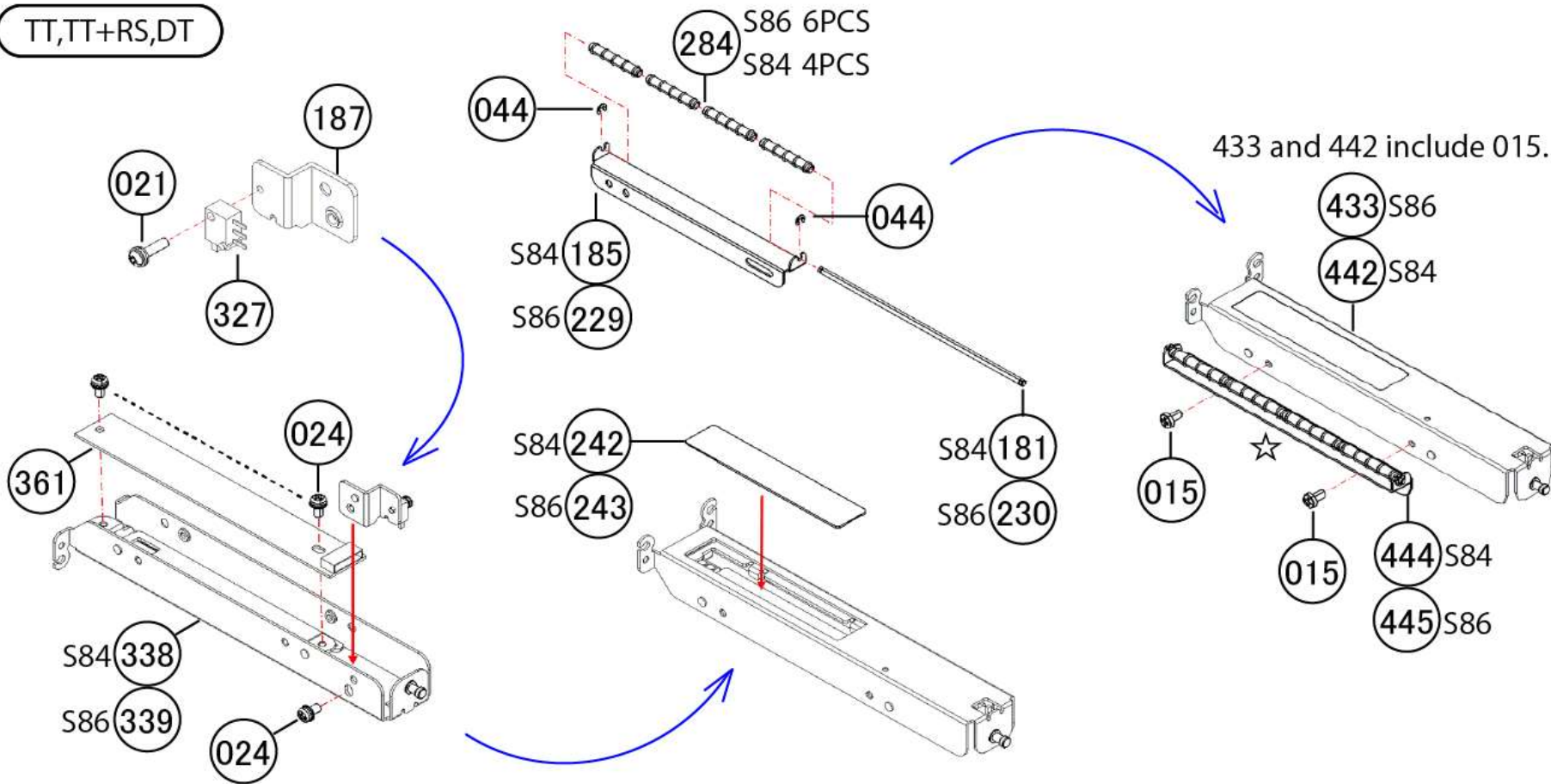


DESCRIPTION
 Fig08-RH Roller②

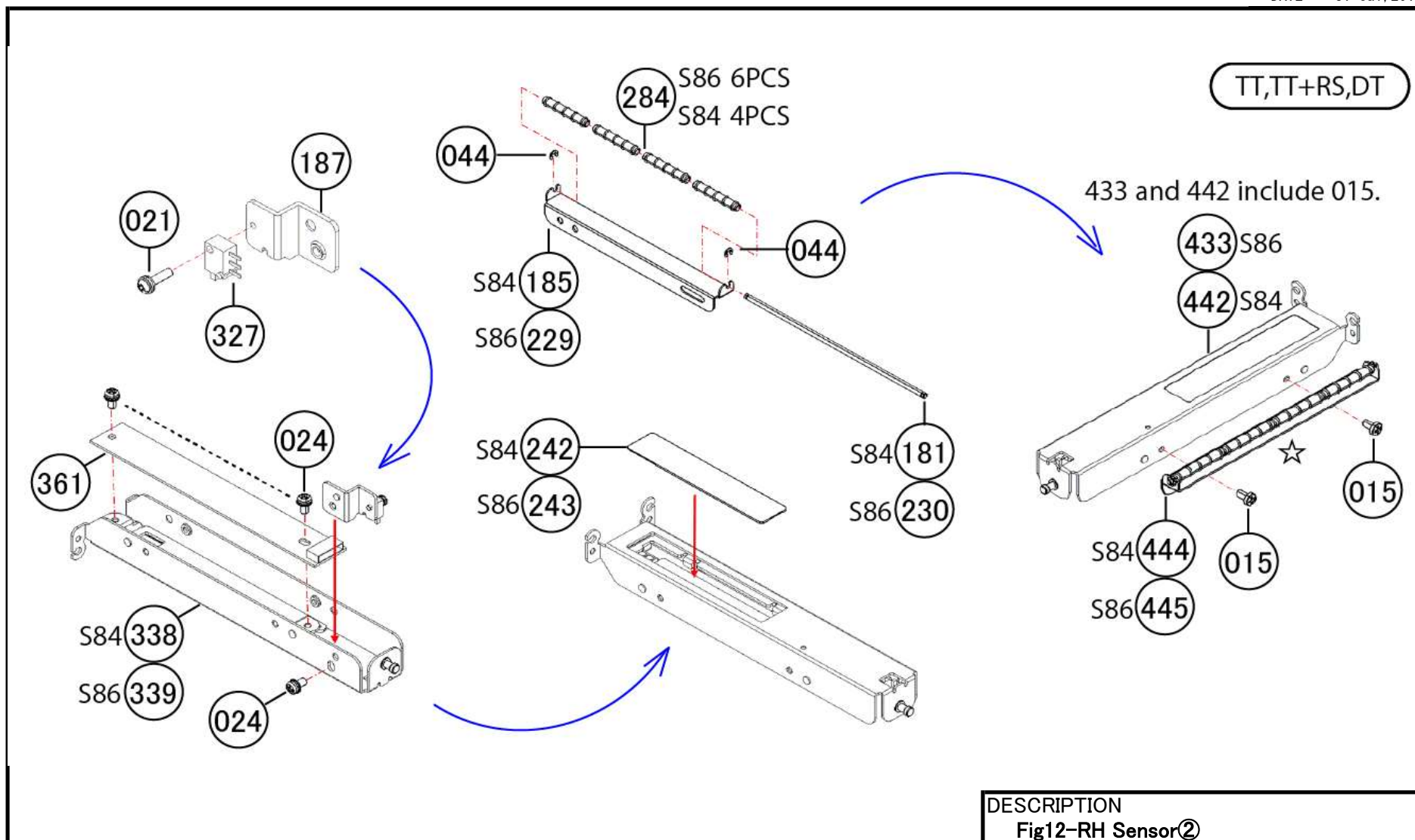


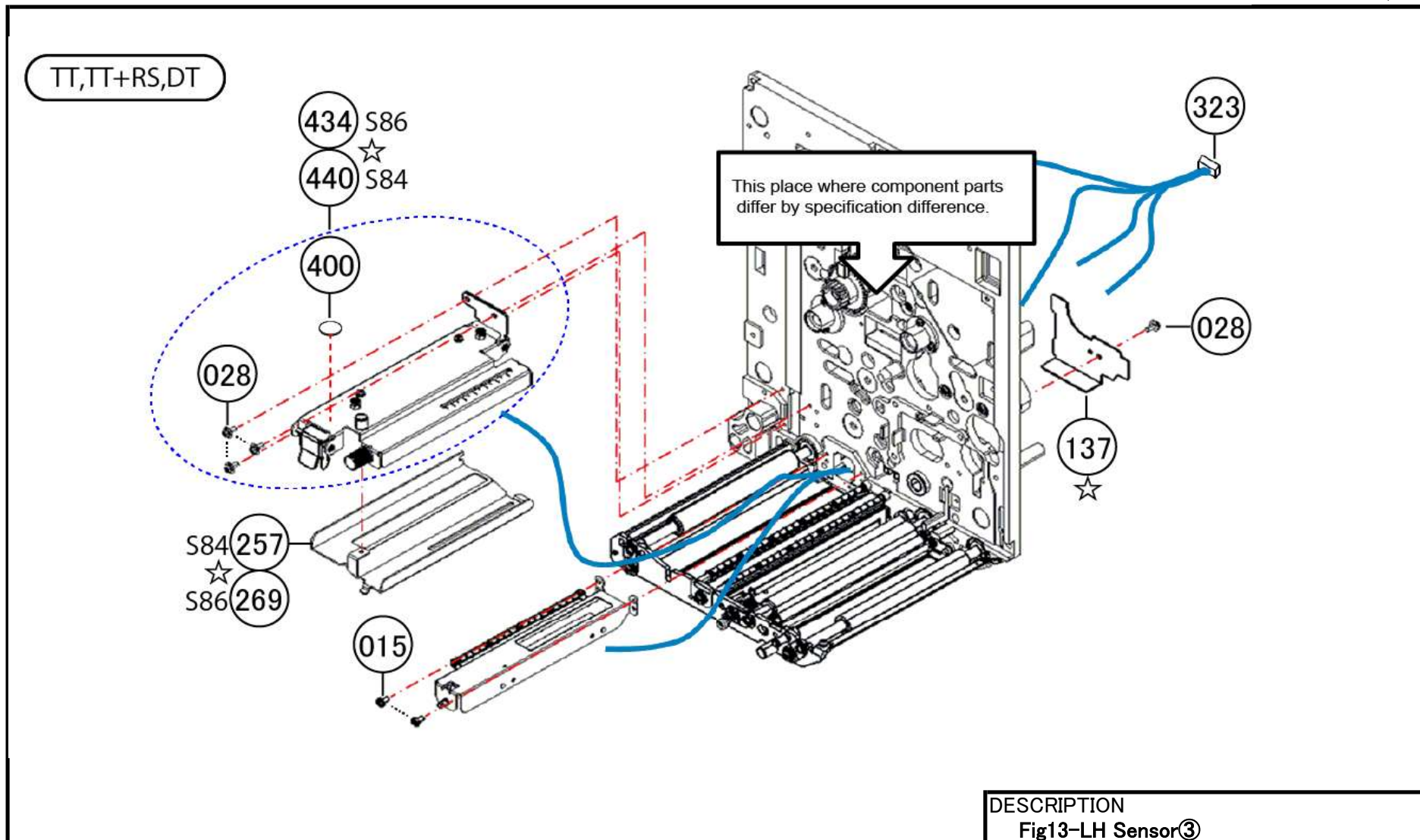


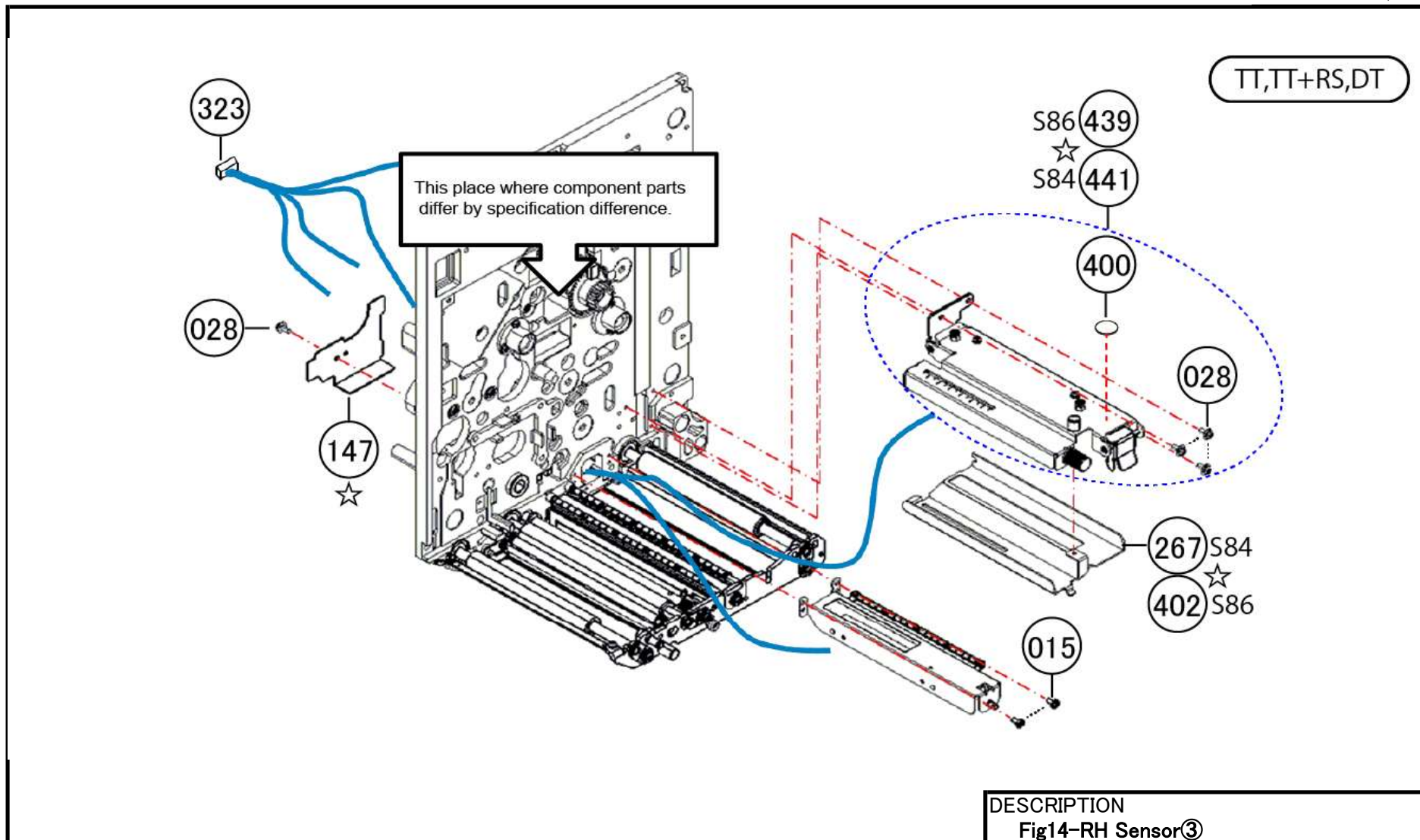
TT,TT+RS,DT



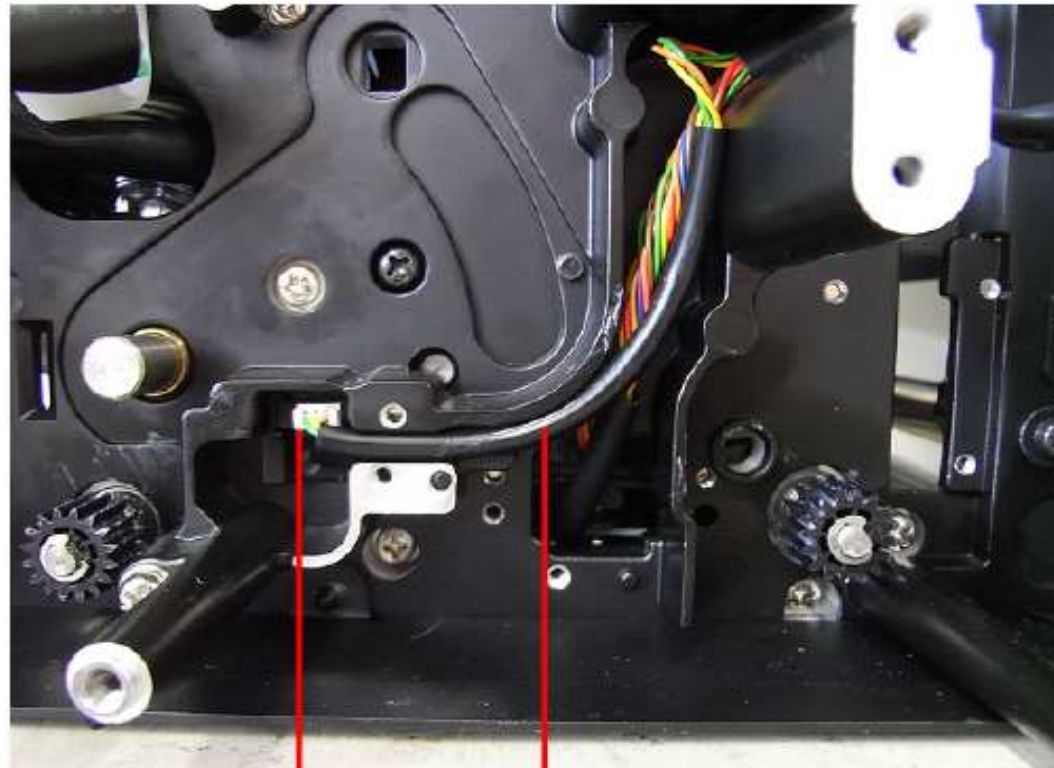
DESCRIPTION
Fig11-LH Sensor②







TT,TT+RS,DT

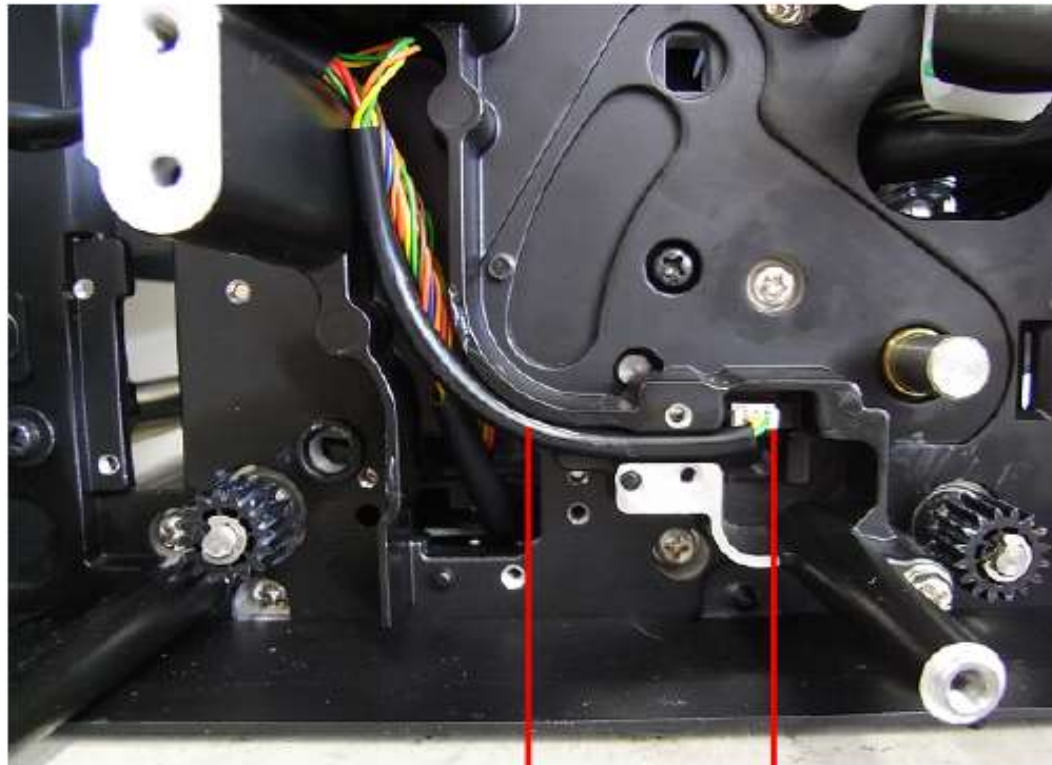


001

322

DESCRIPTION
Fig15-LH Sensor④

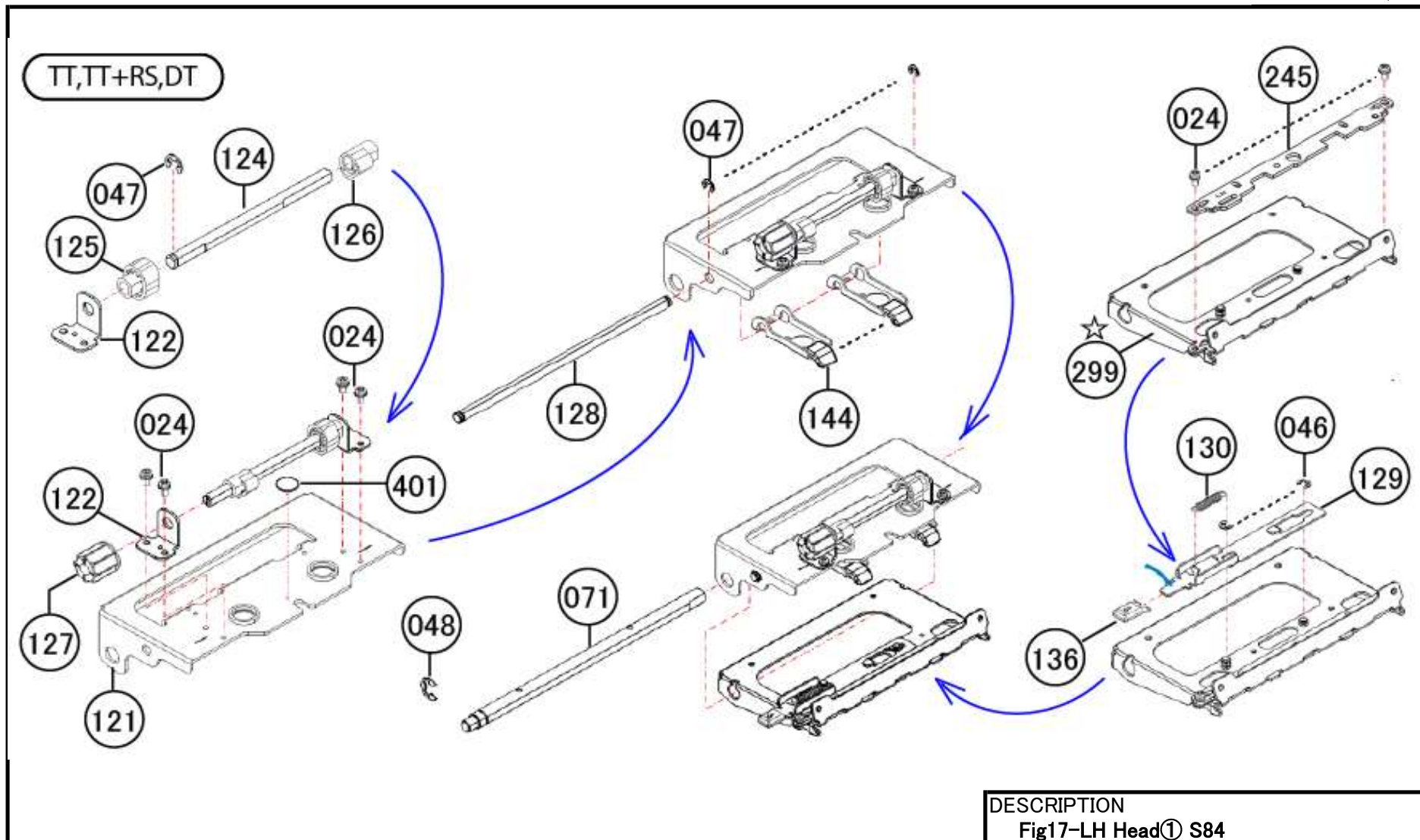
TT,TT+RS,DT

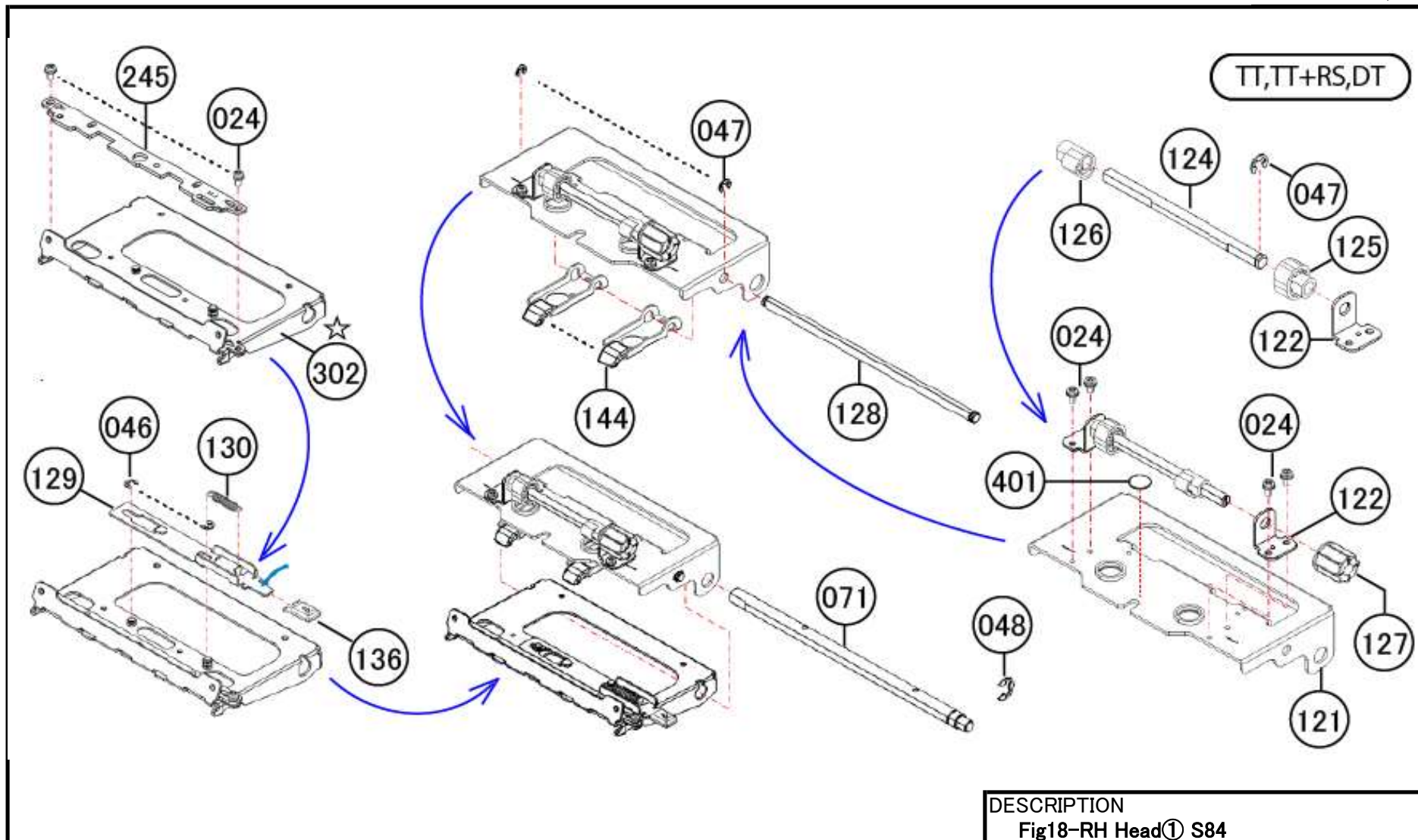


322

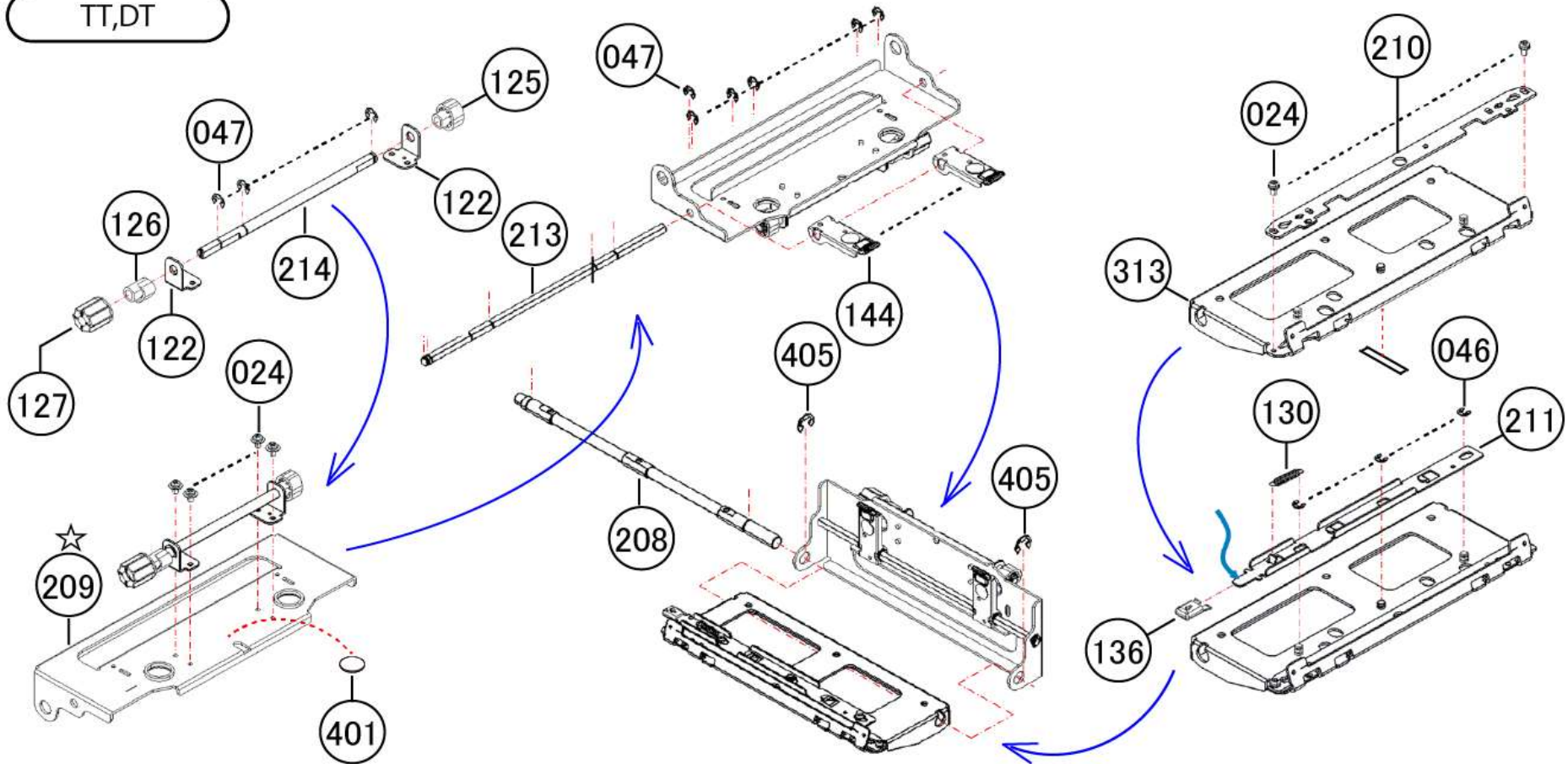
001

DESCRIPTION
Fig16-RH Sensor④

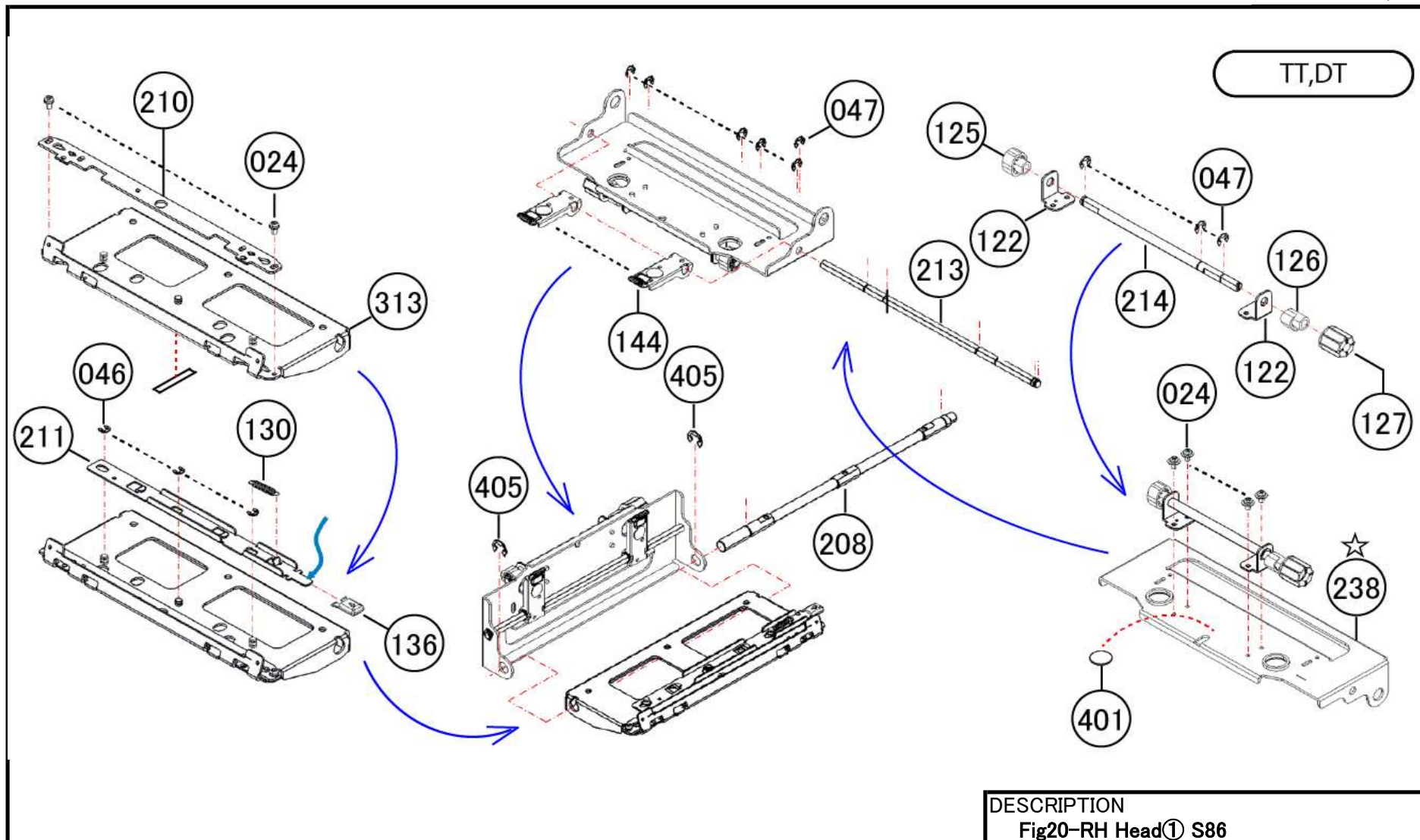




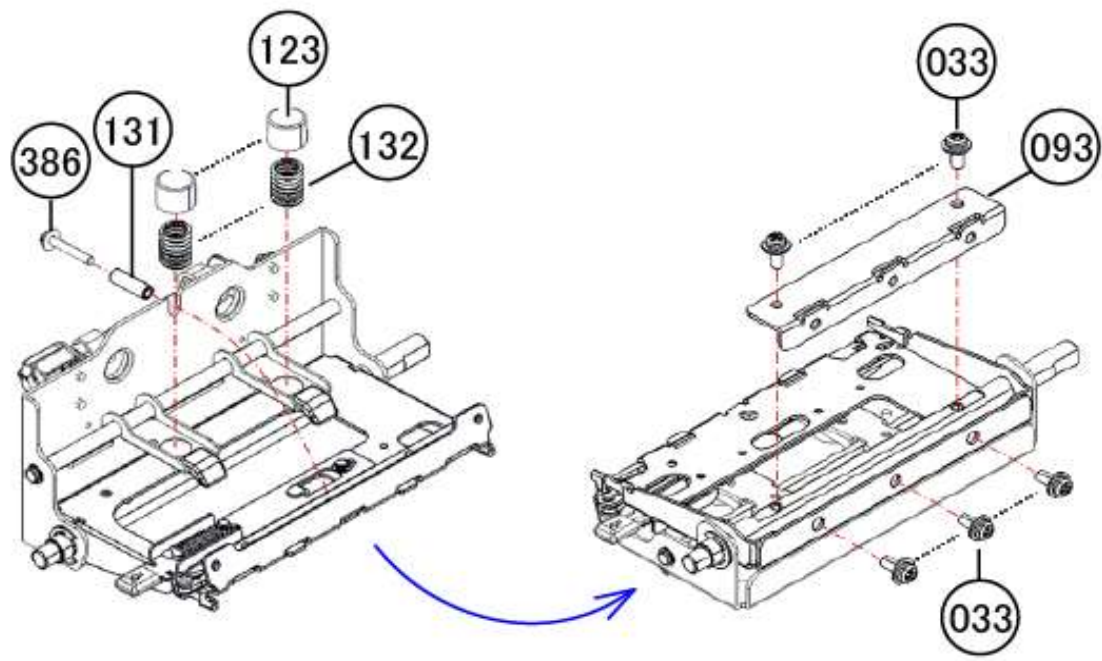
TT,DT



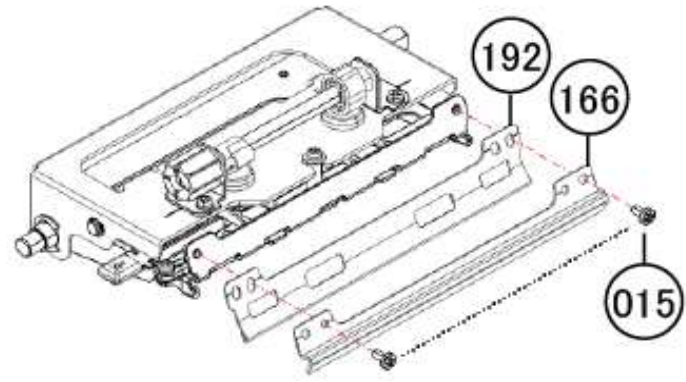
DESCRIPTION
Fig19-LH Head① S86



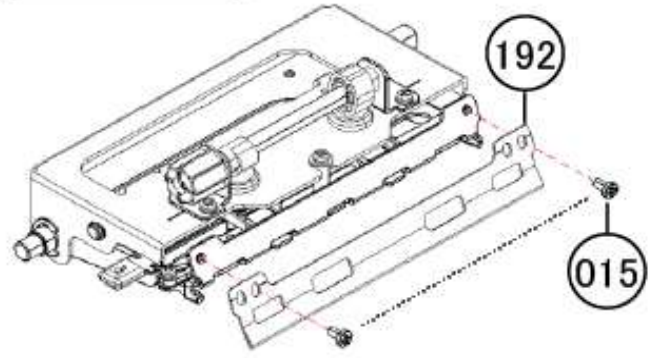
TT,TT+RS,DT



TT,TT+RS

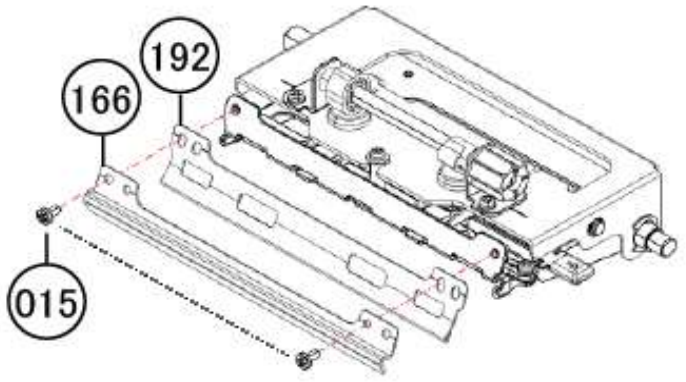


DT

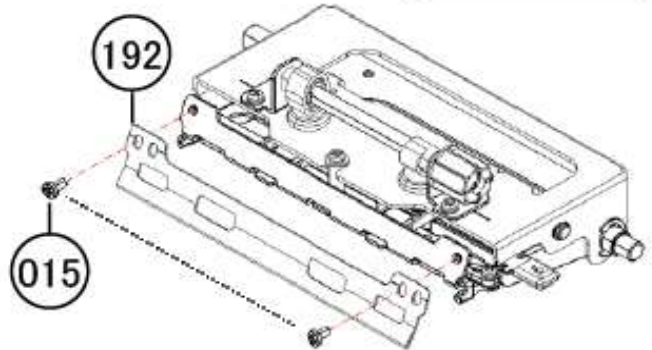


DESCRIPTION
Fig21-LH Head② S84

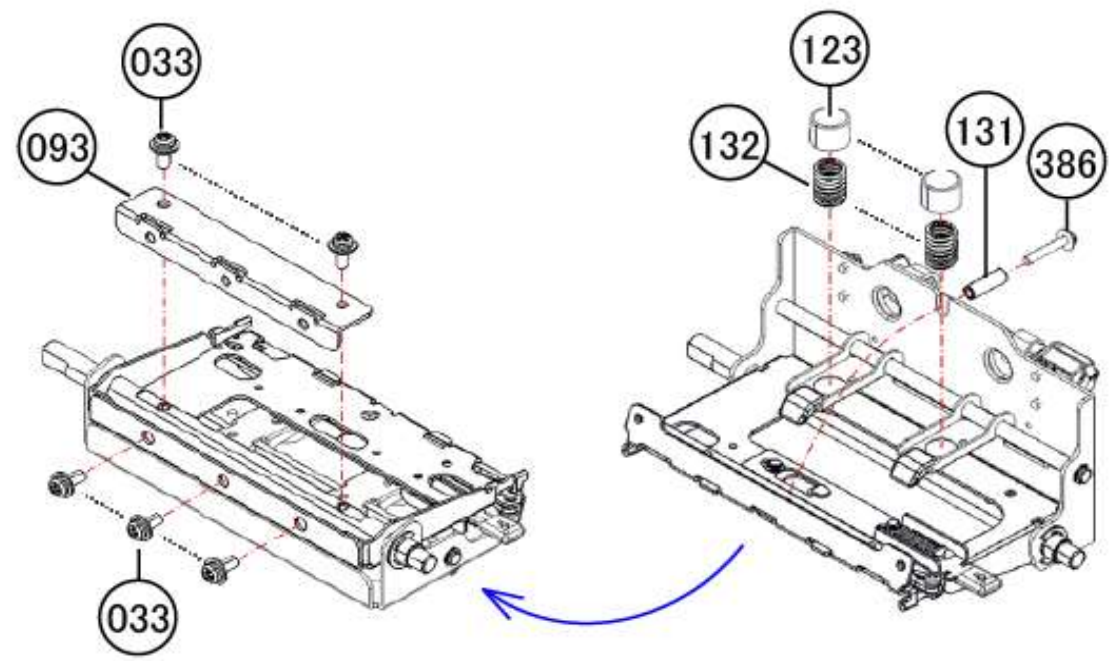
TT,TT+RS



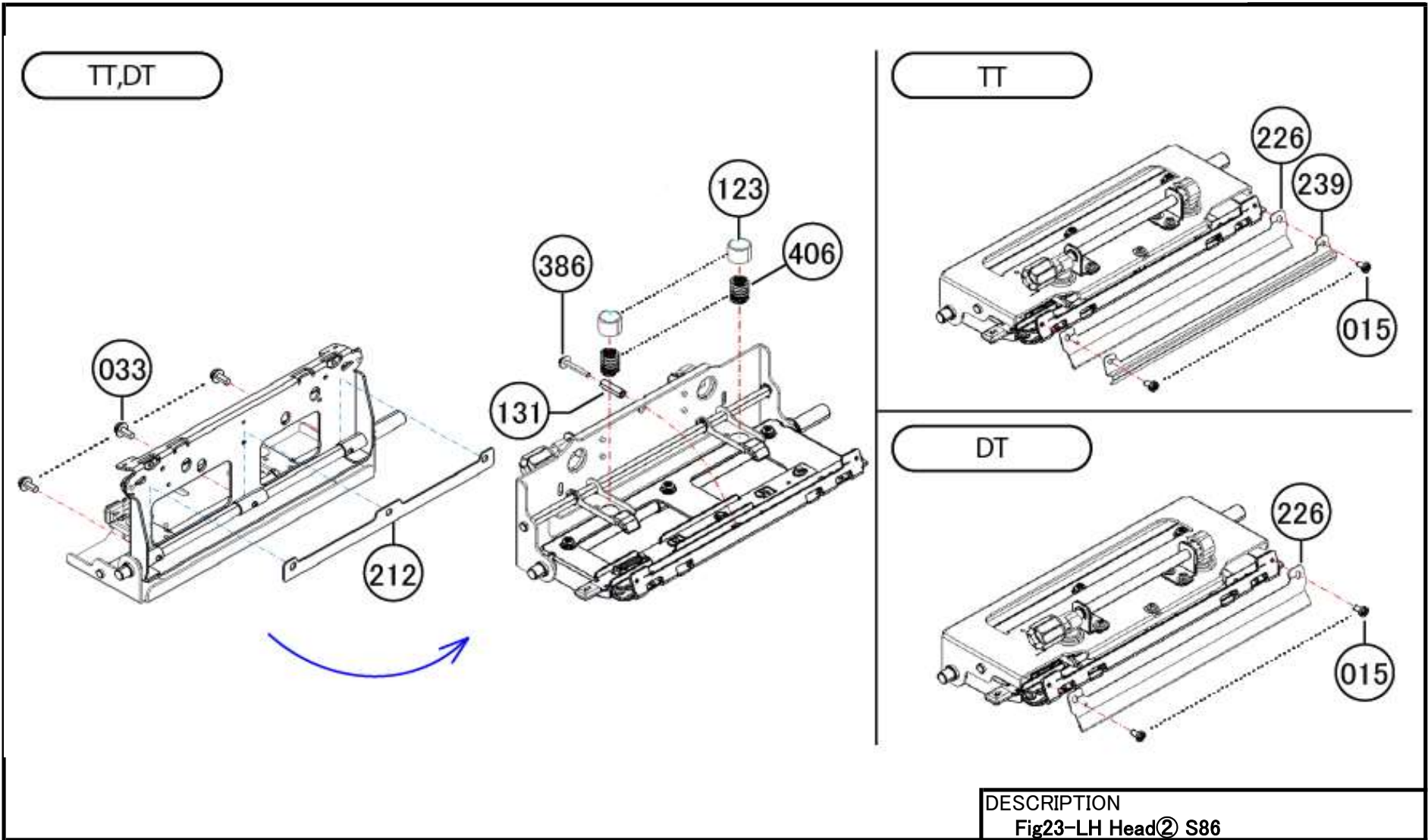
DT

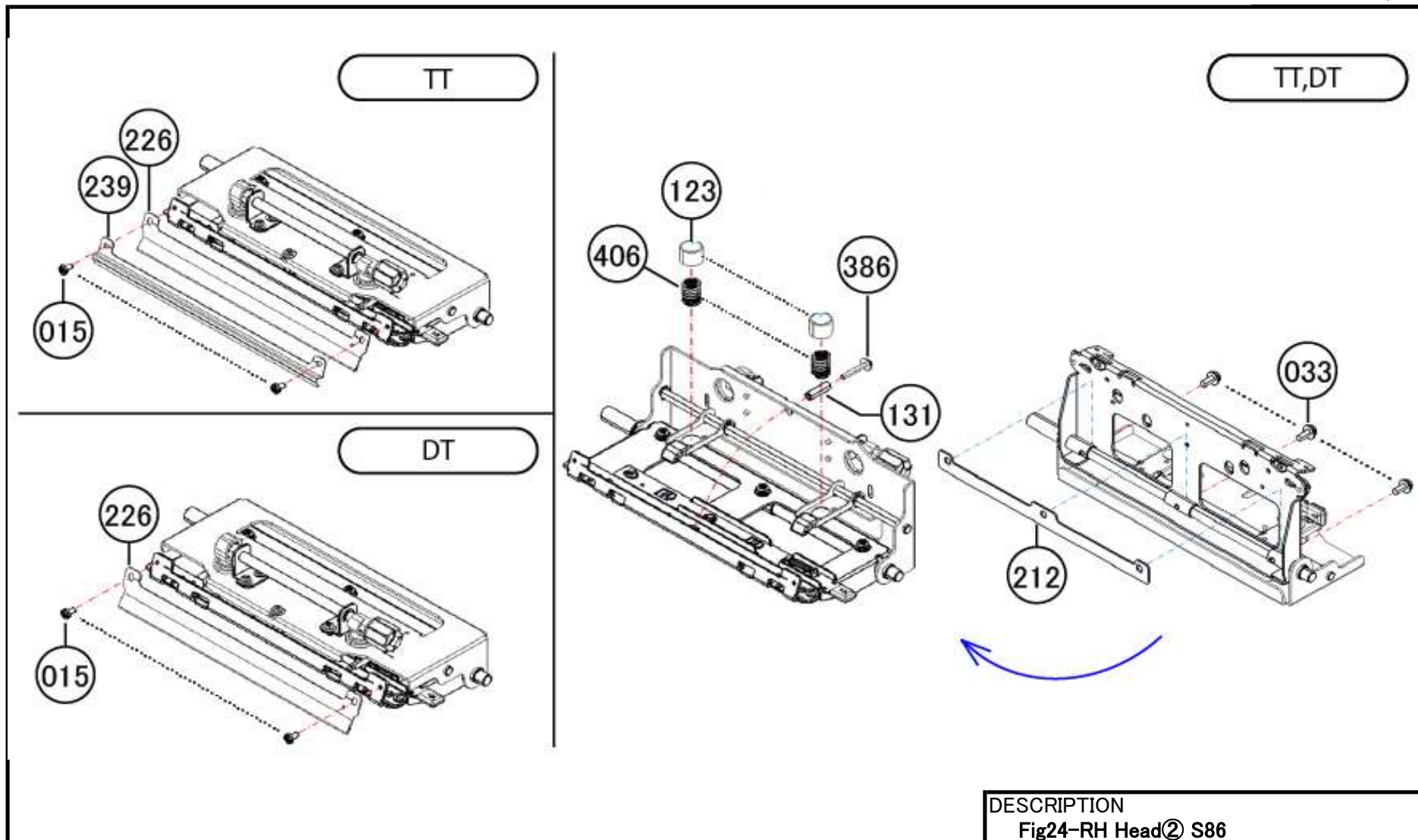


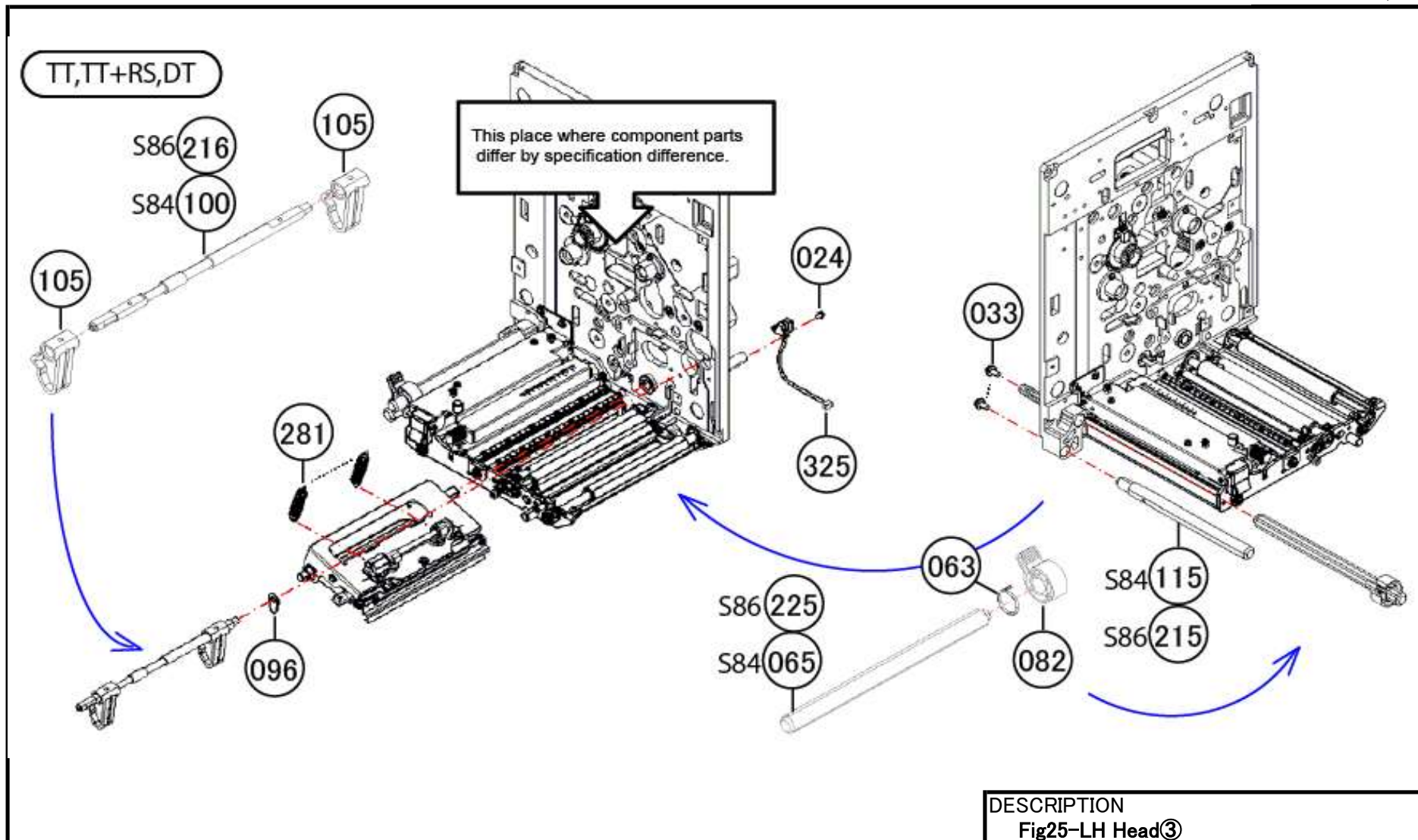
TT,TT+RS,DT

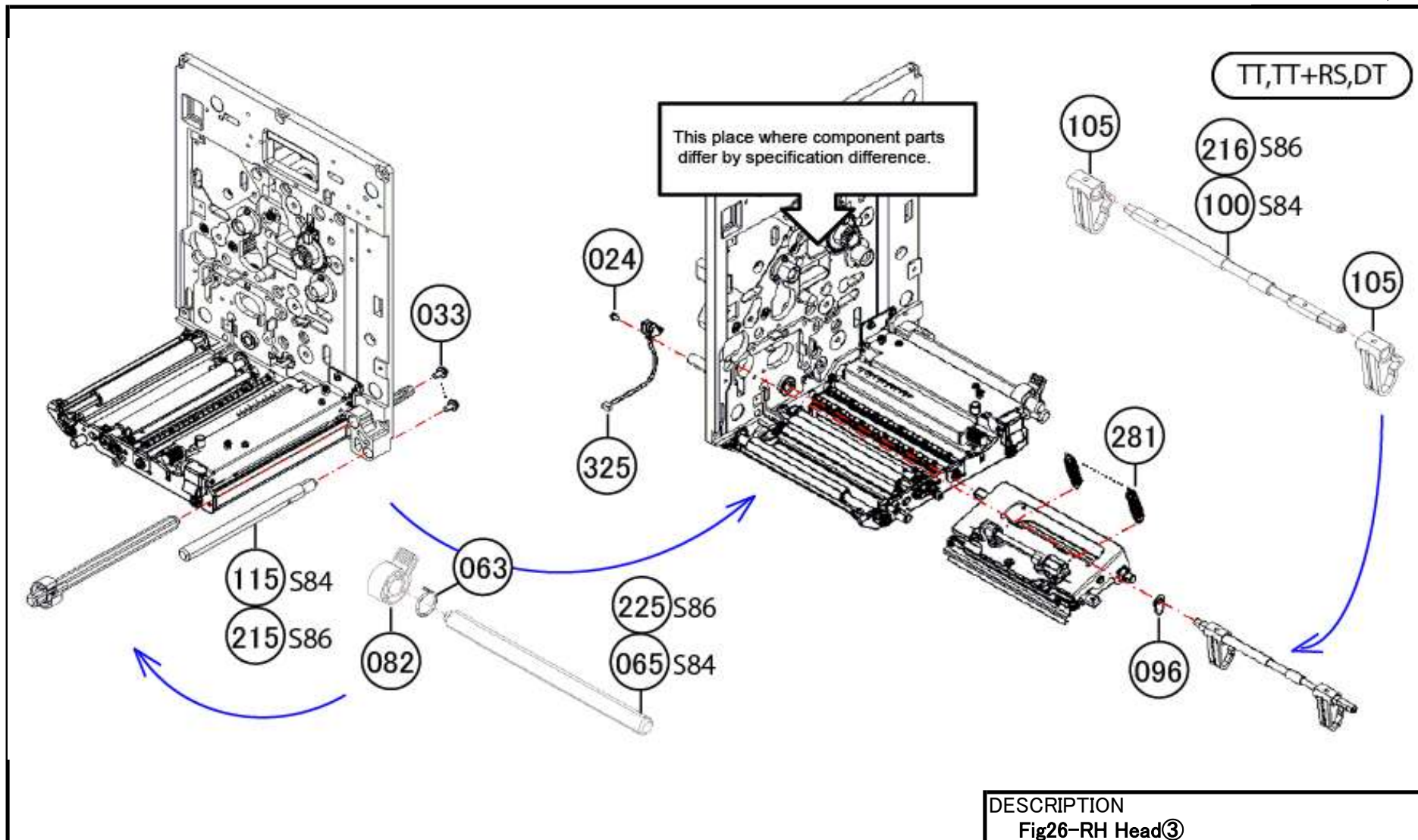


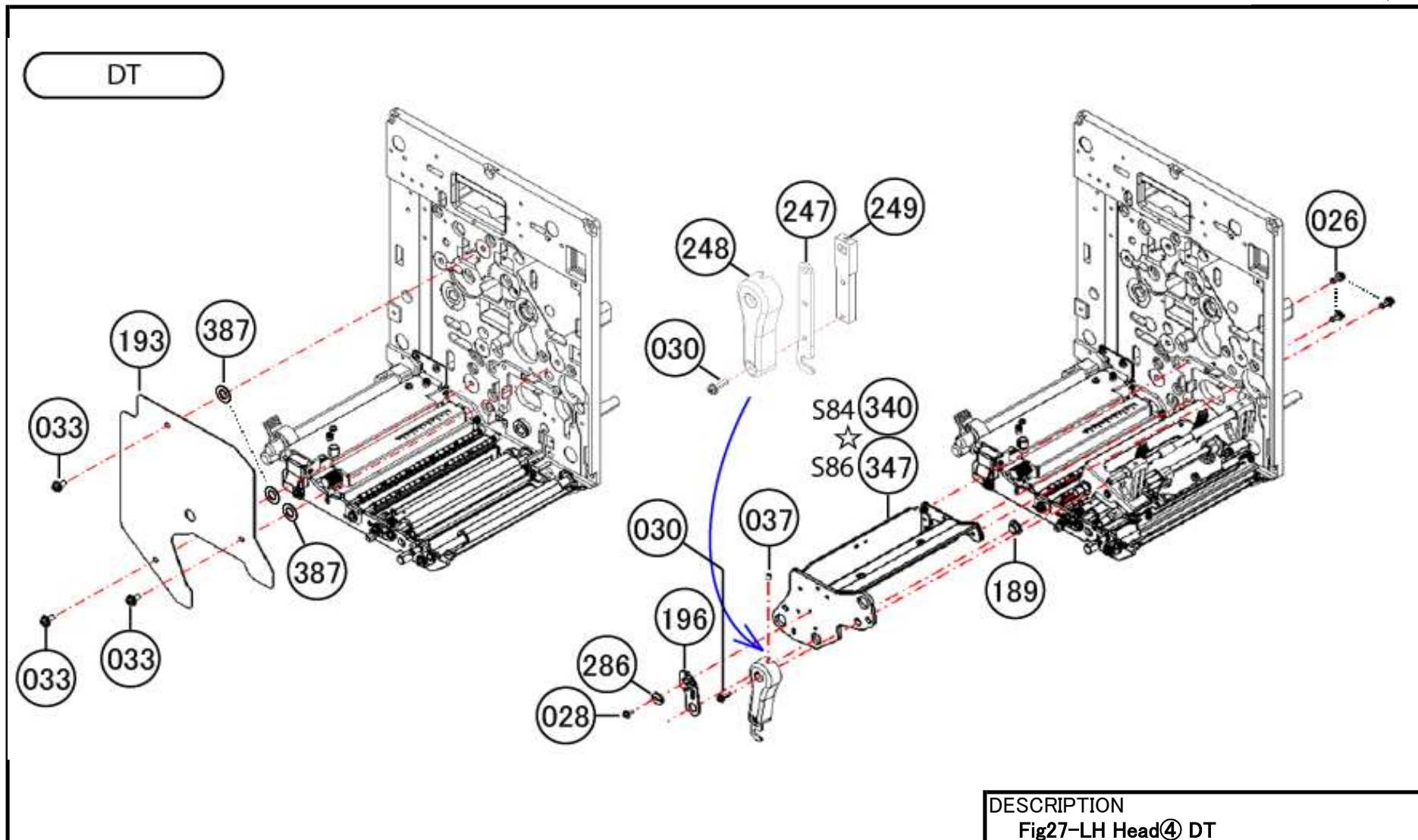
DESCRIPTION
Fig22-RH Head② S84

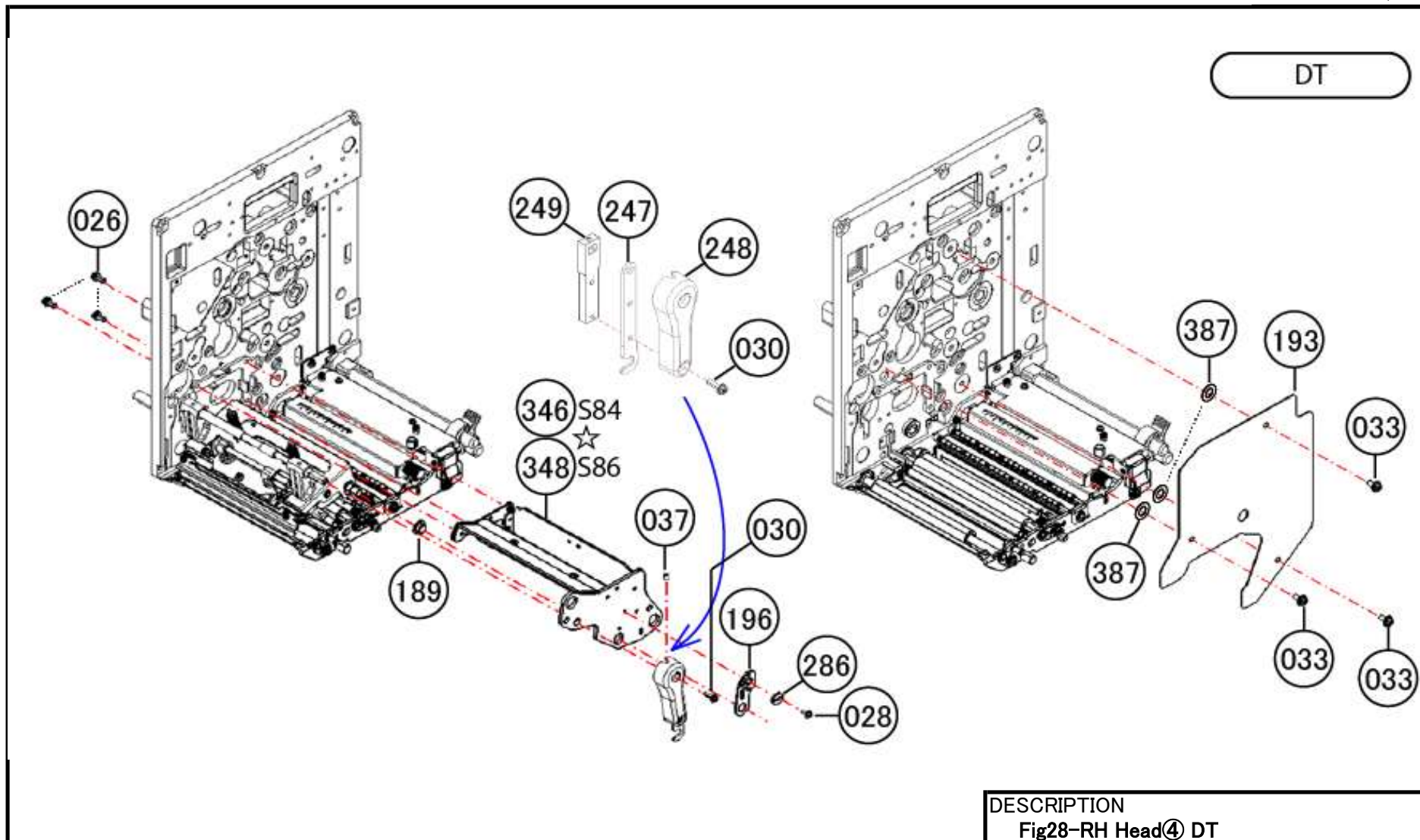


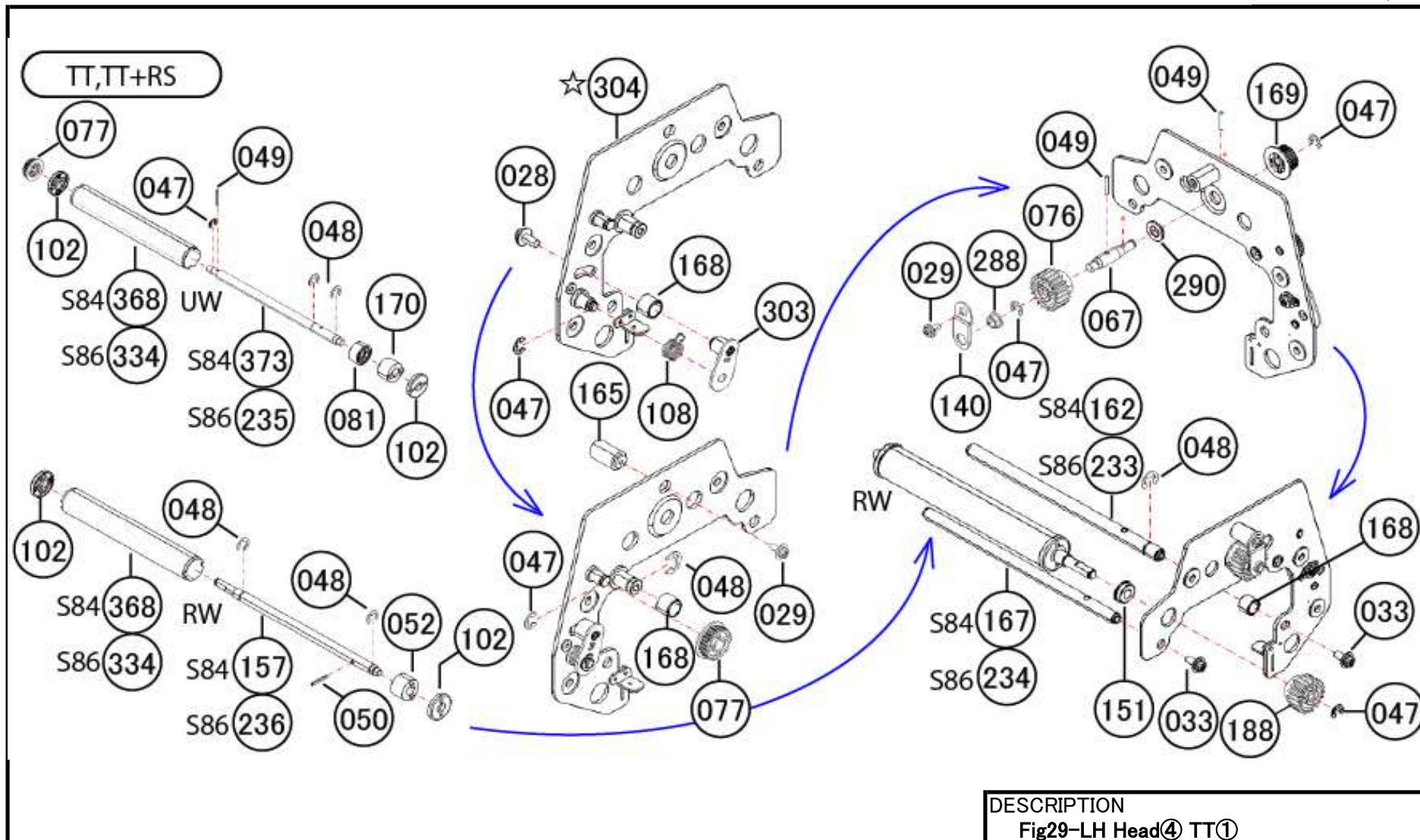


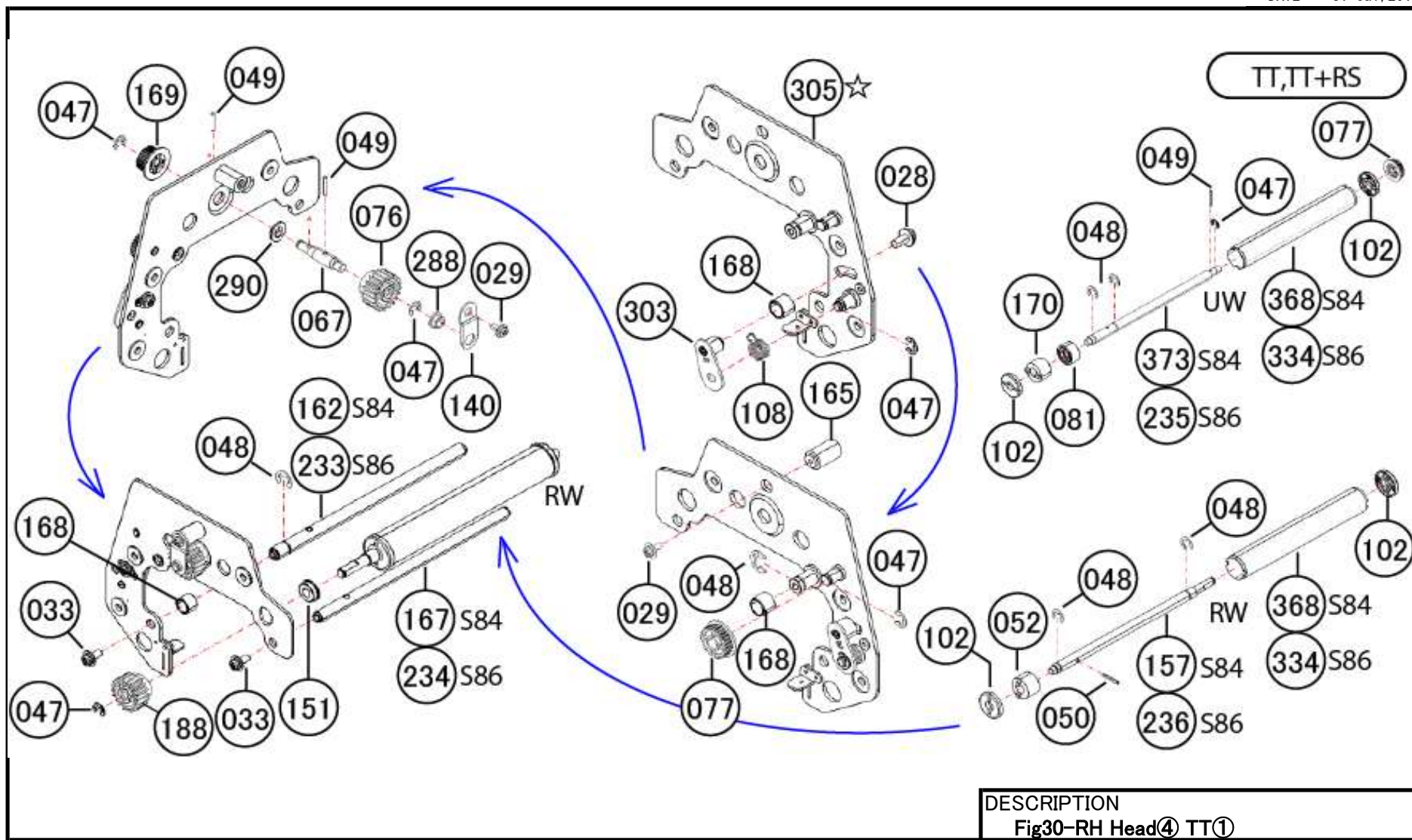


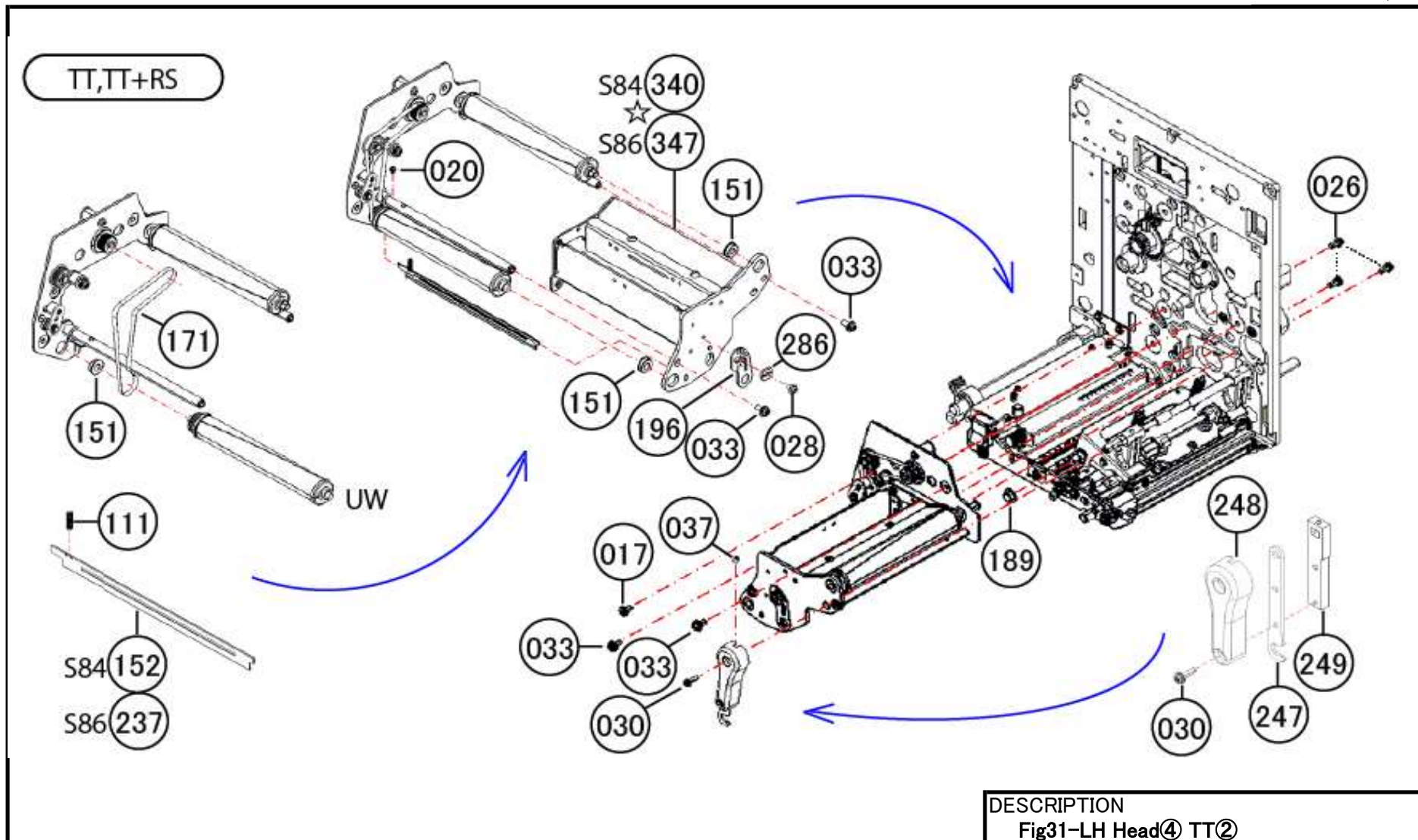




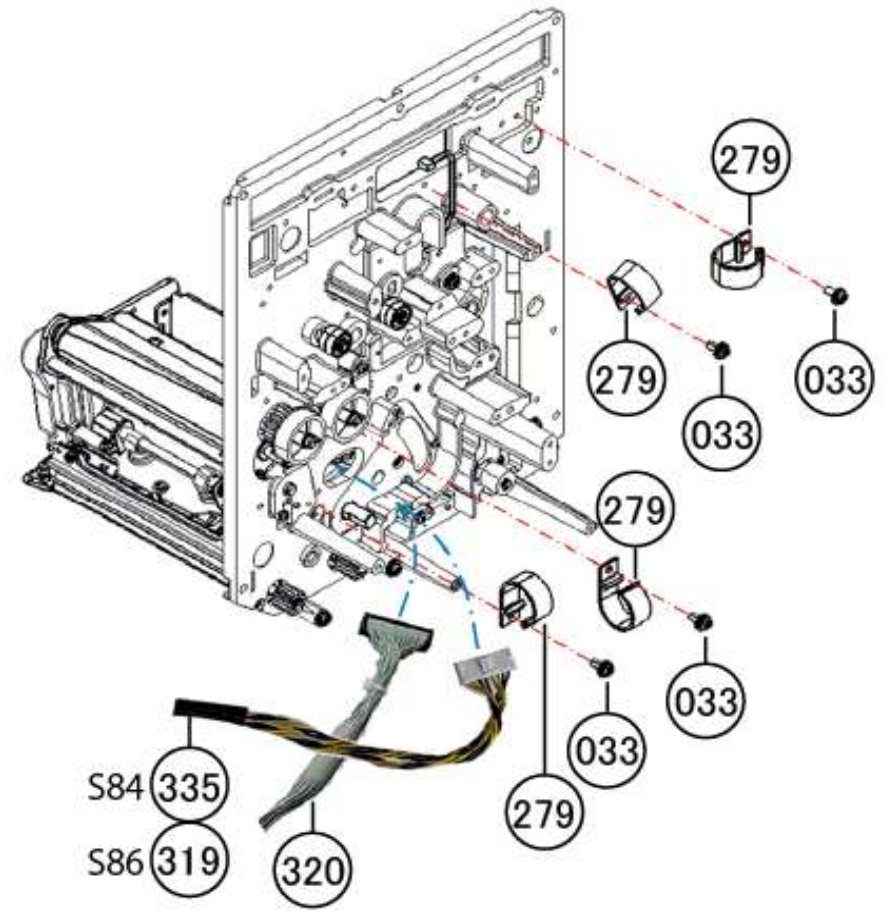
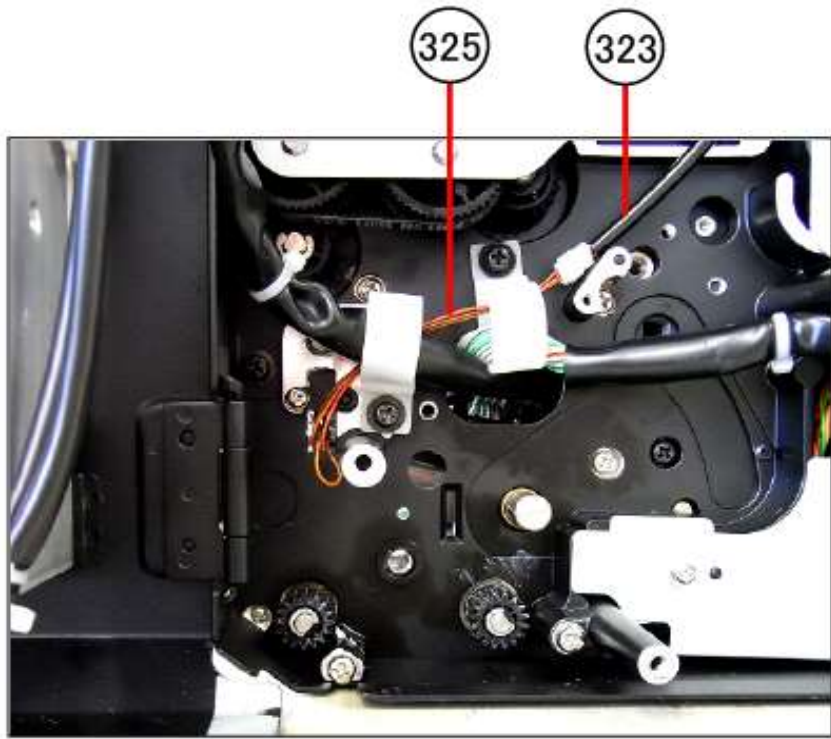






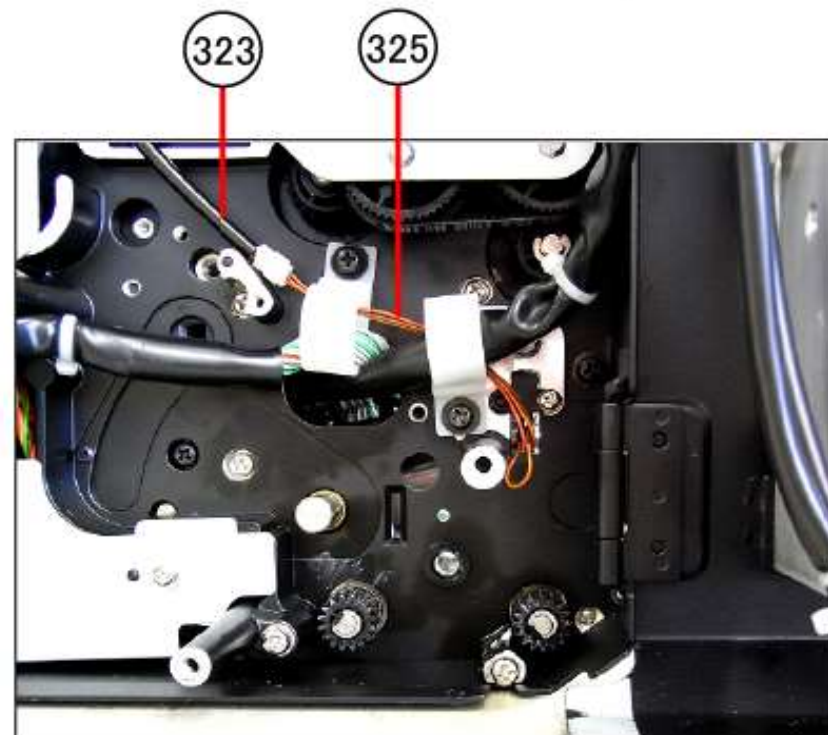
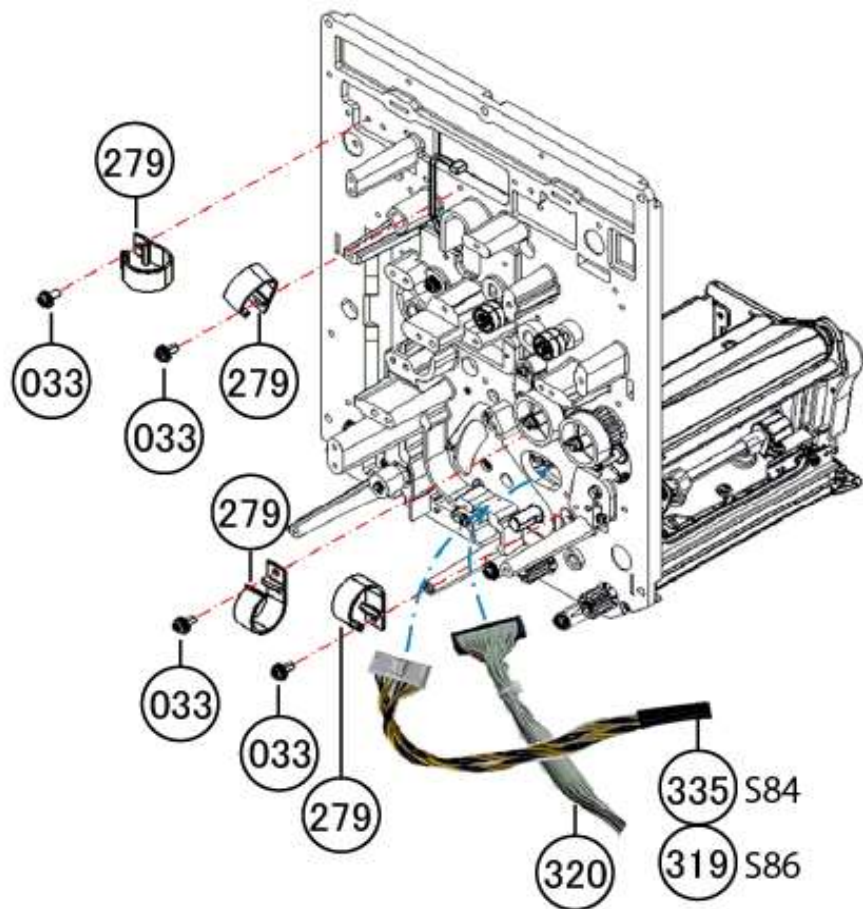


TT,TT+RS,DT

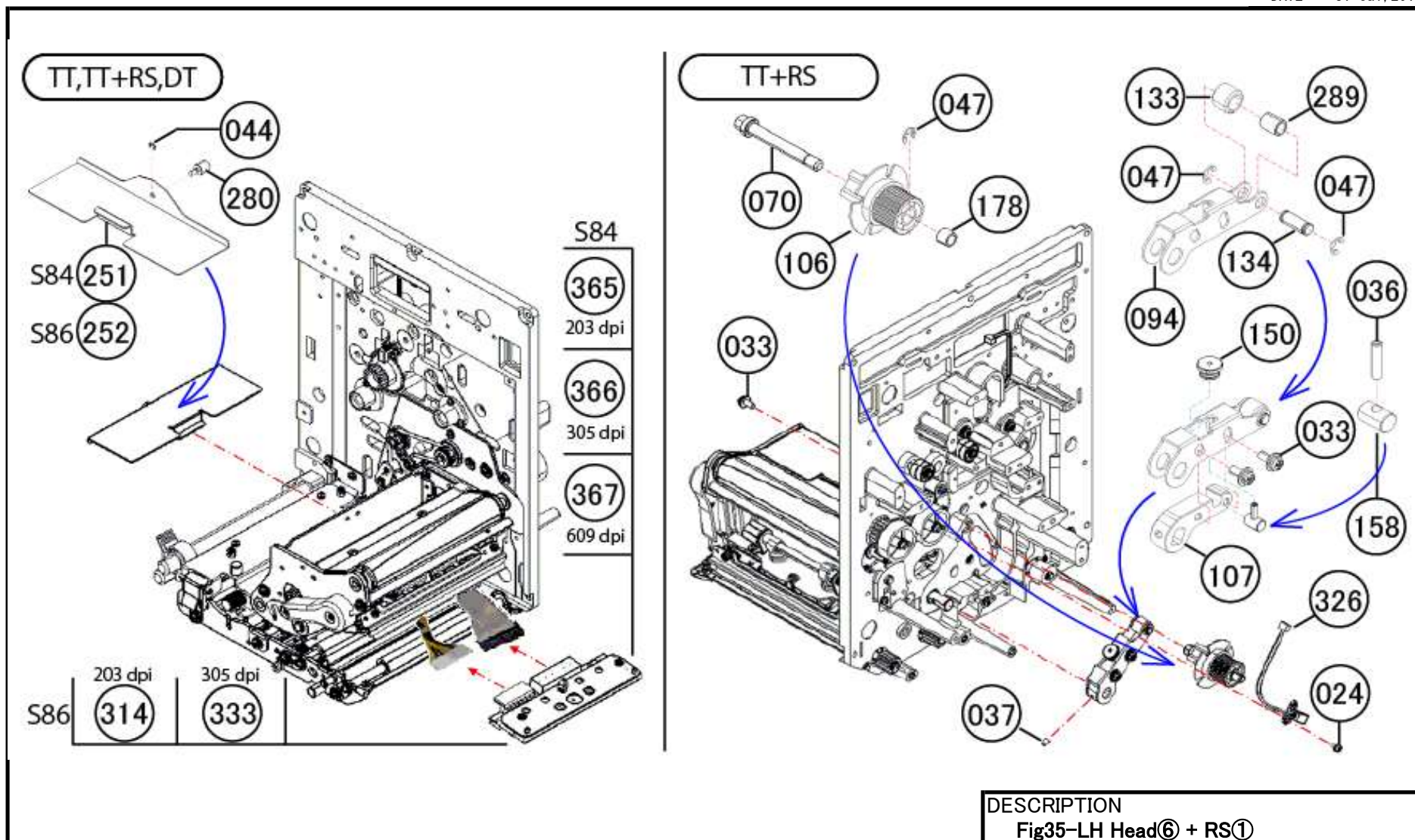


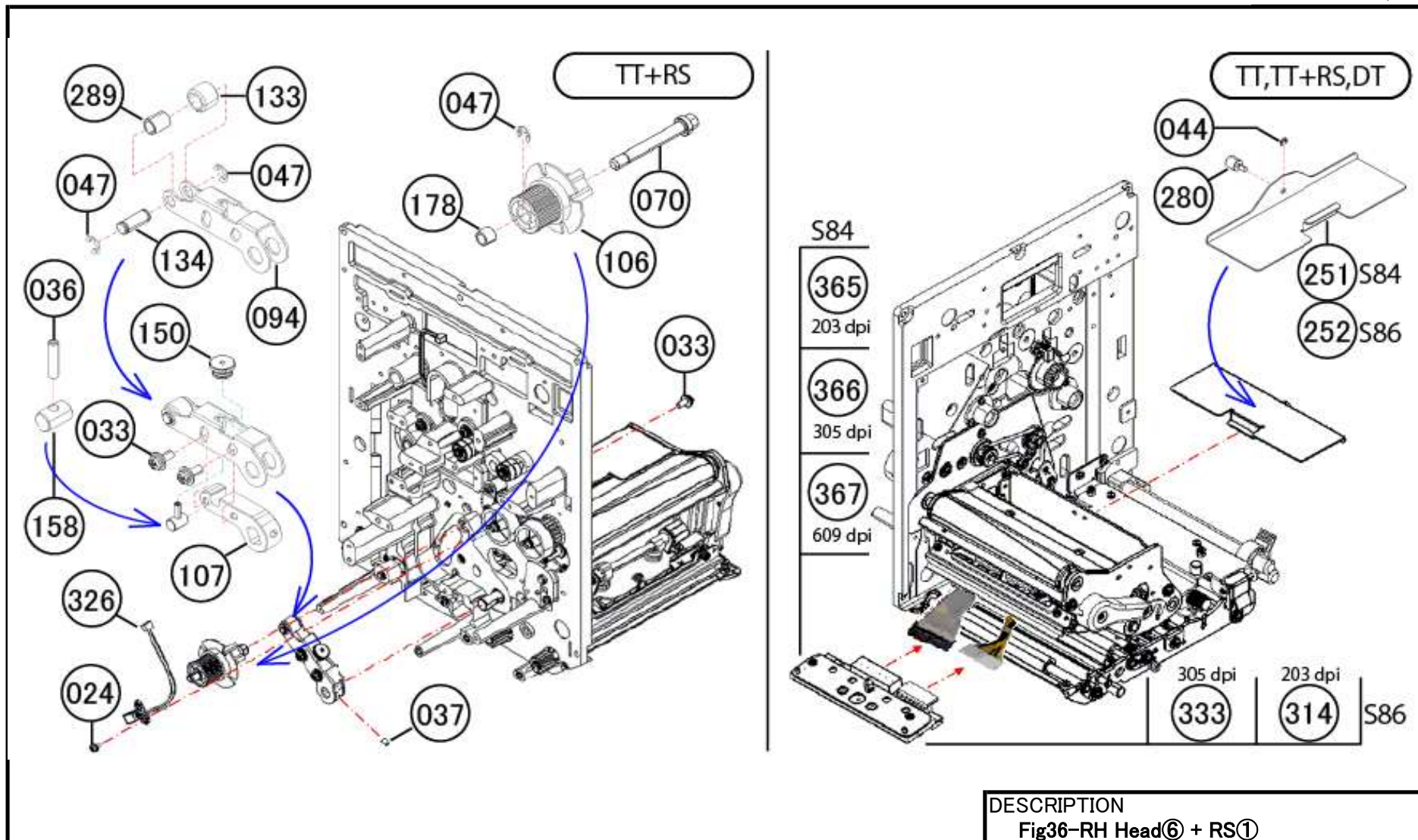
DESCRIPTION
Fig33-LH Head⑤

TT,TT+RS,DT



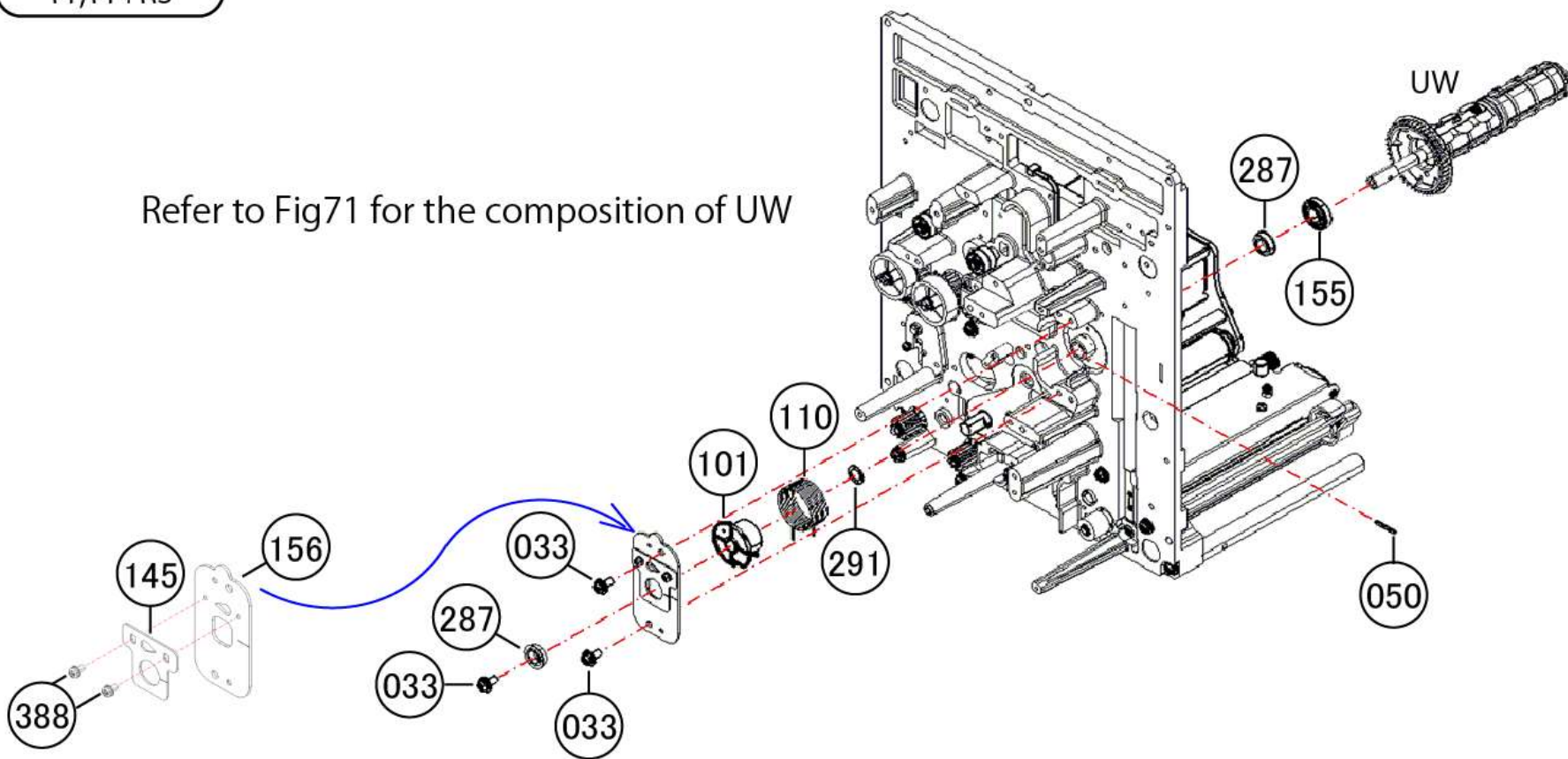
DESCRIPTION
Fig34-RH Head⑤





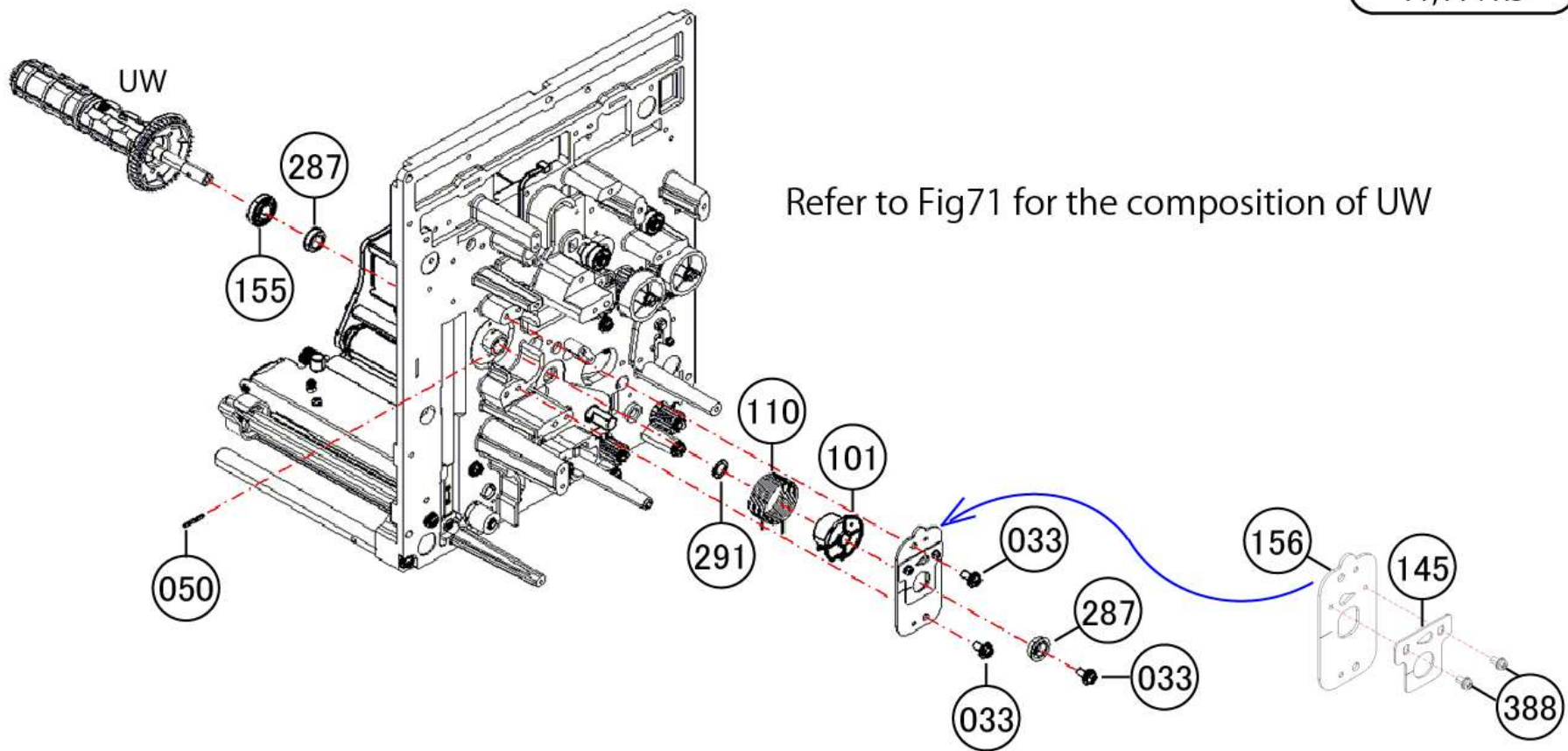
TT,TT+RS

Refer to Fig71 for the composition of UW



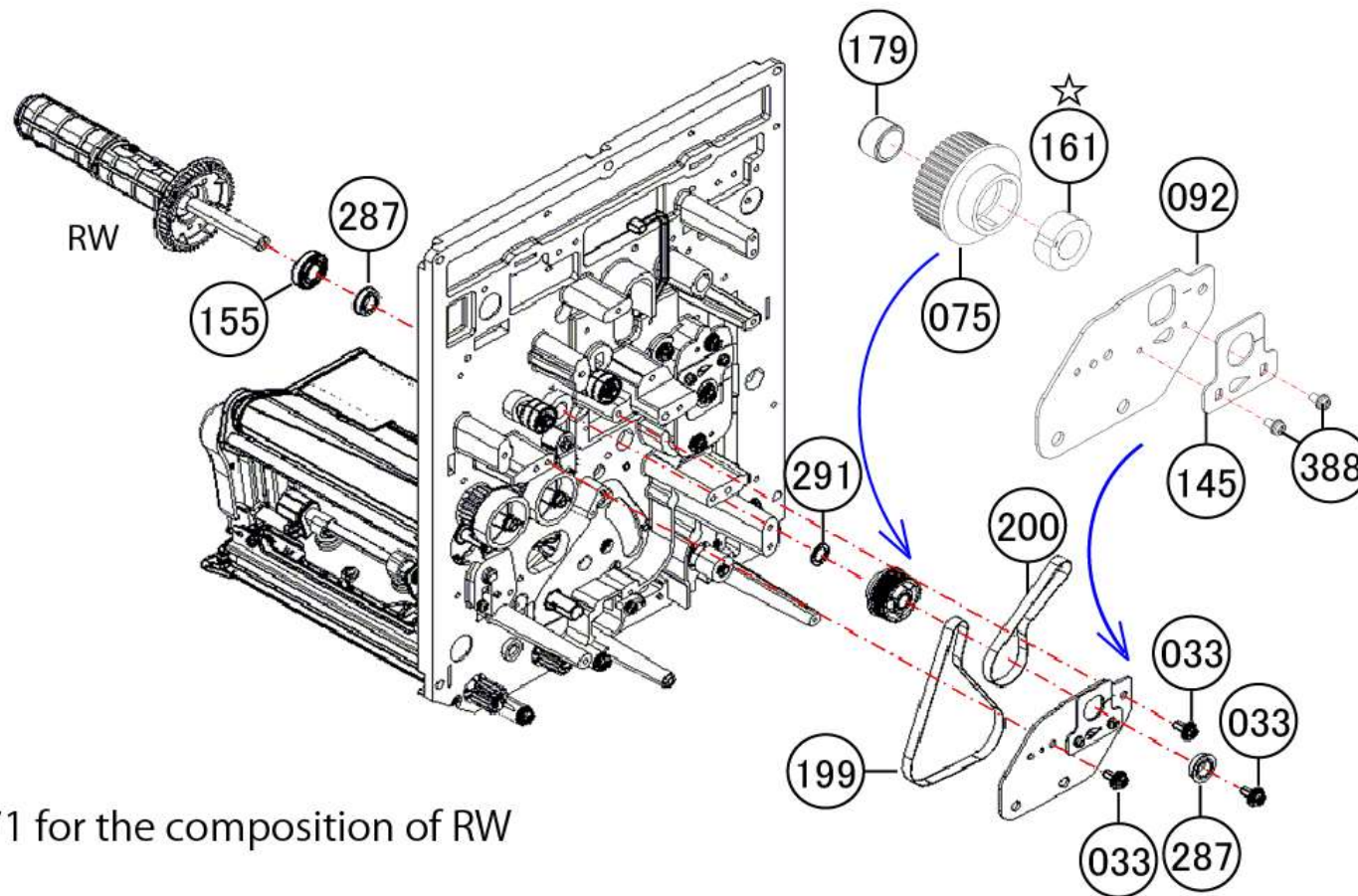
DESCRIPTION
Fig37-LH Ribbon①

TT,TT+RS



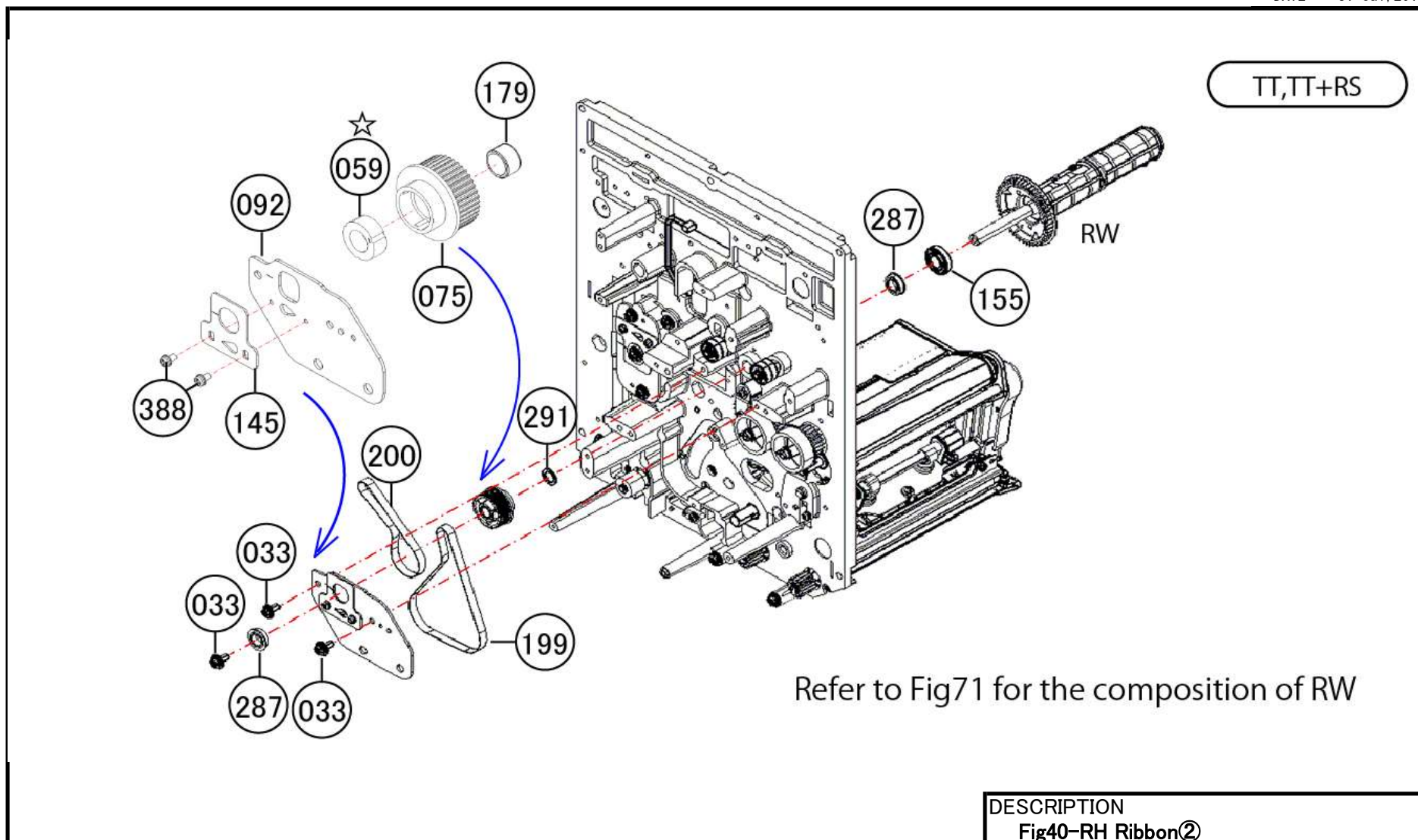
DESCRIPTION
Fig38-RH Ribbon①

TT,TT+RS

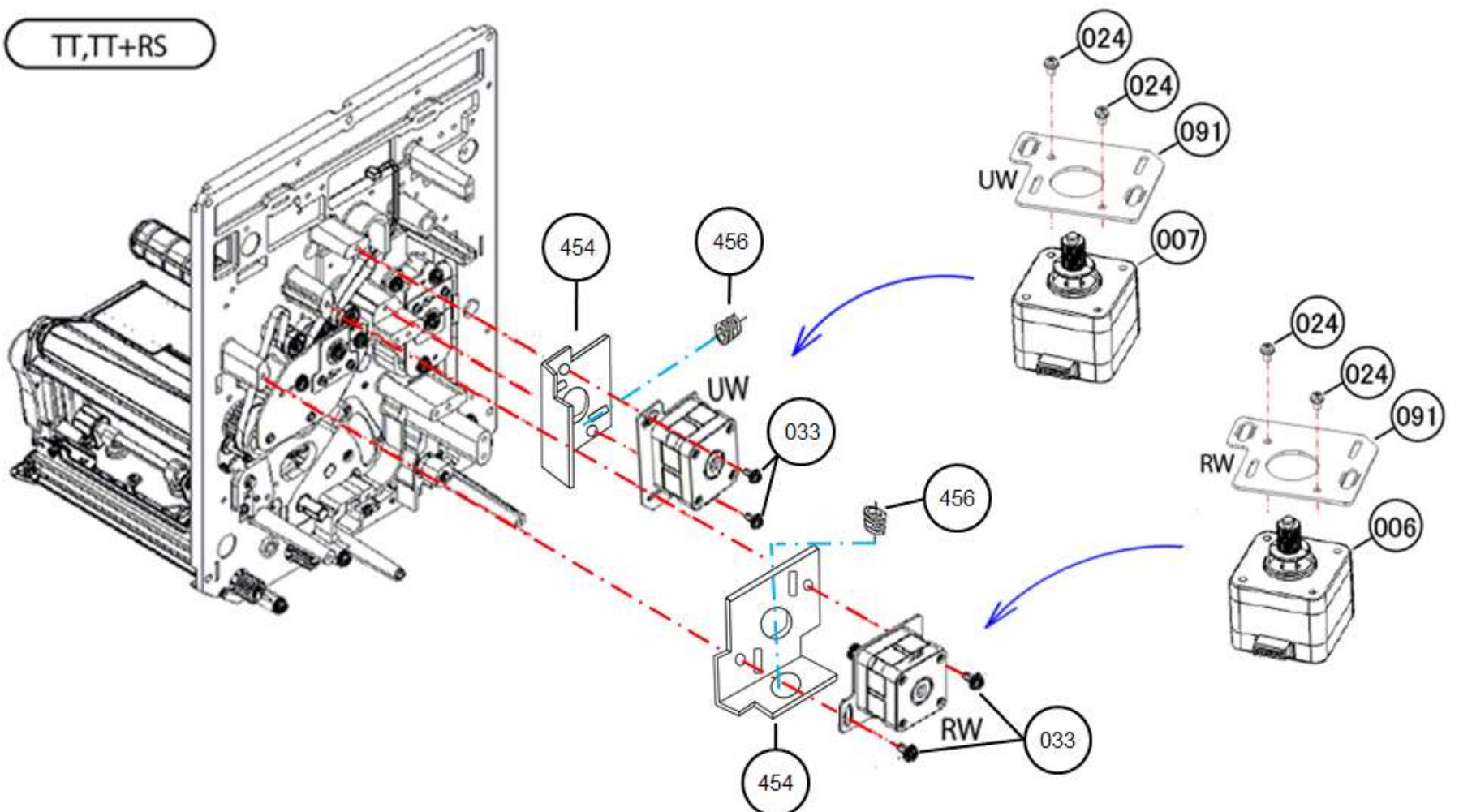


Refer to Fig71 for the composition of RW

DESCRIPTION
Fig39-LH Ribbon②

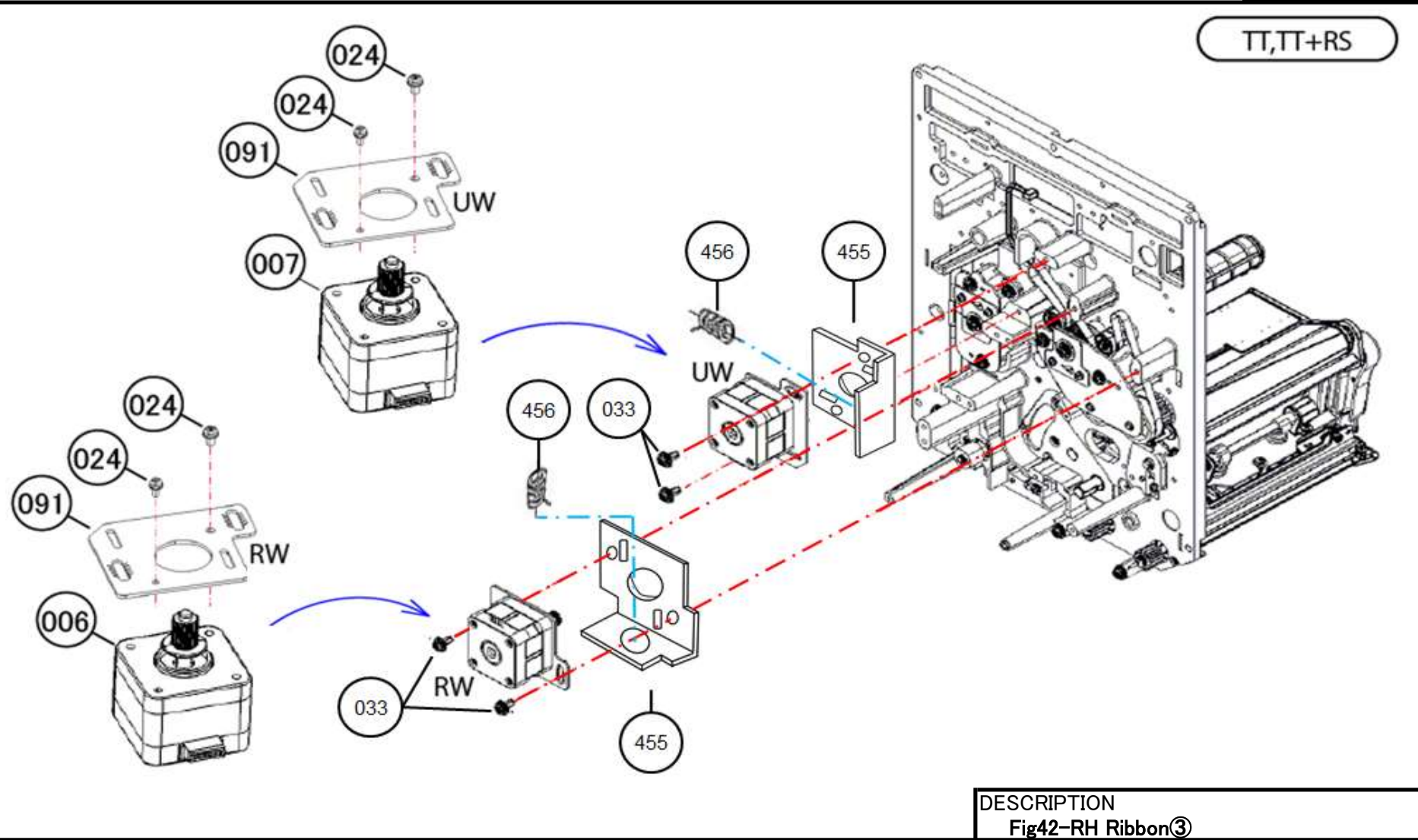


TT,TT+RS



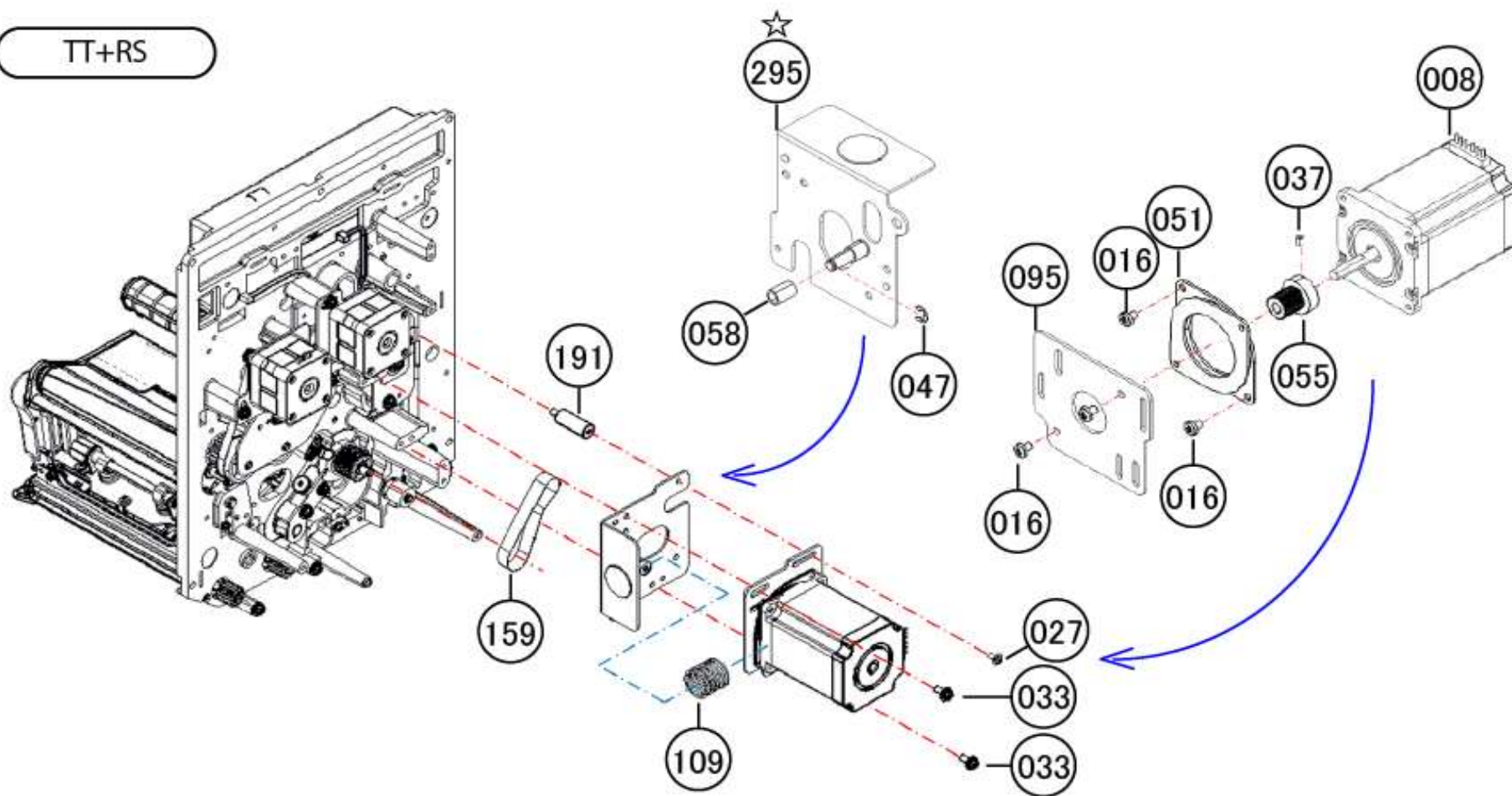
DESCRIPTION
Fig41-LH Ribbon③

TT,TT+RS

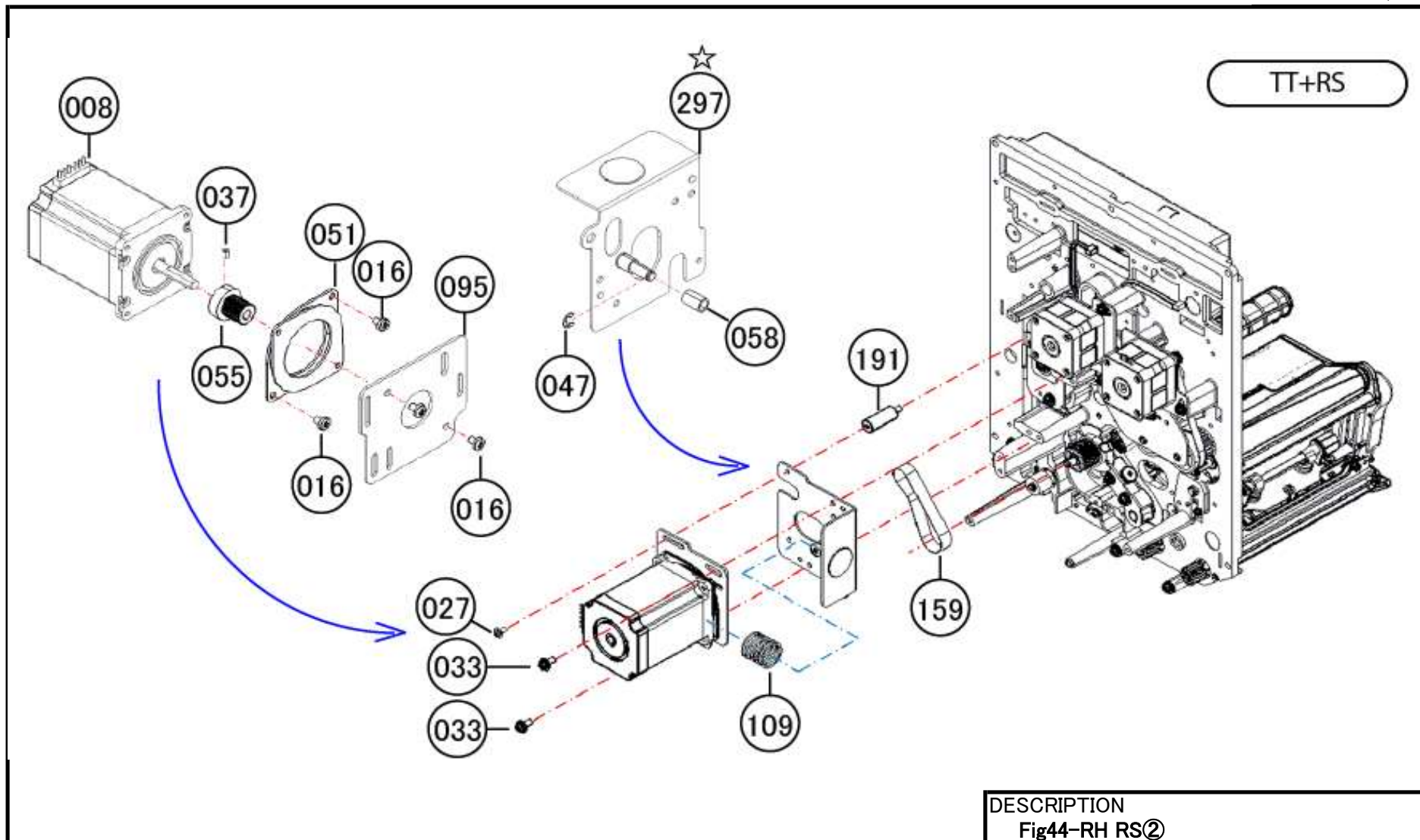


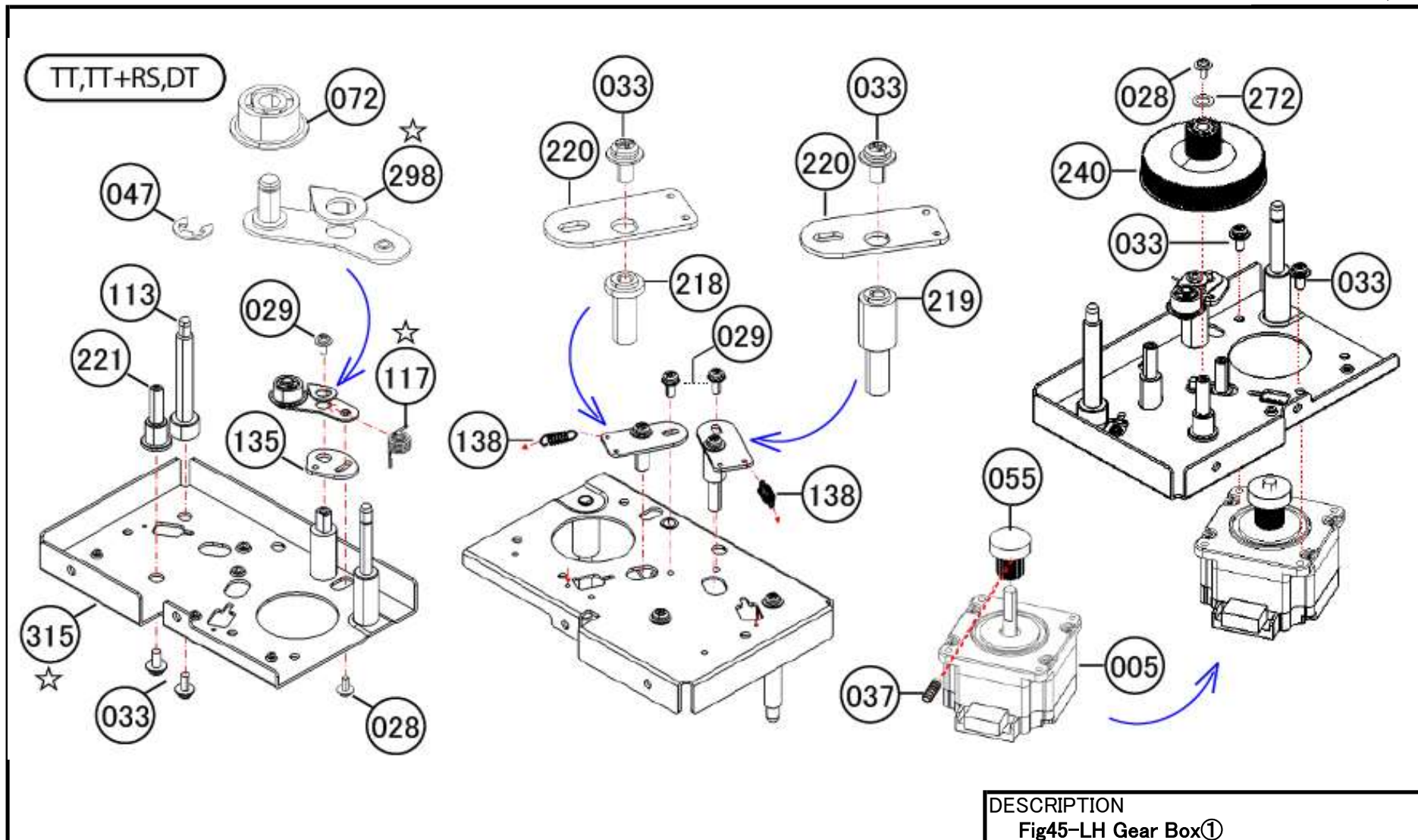
DESCRIPTION
Fig42-RH Ribbon③

TT+RS

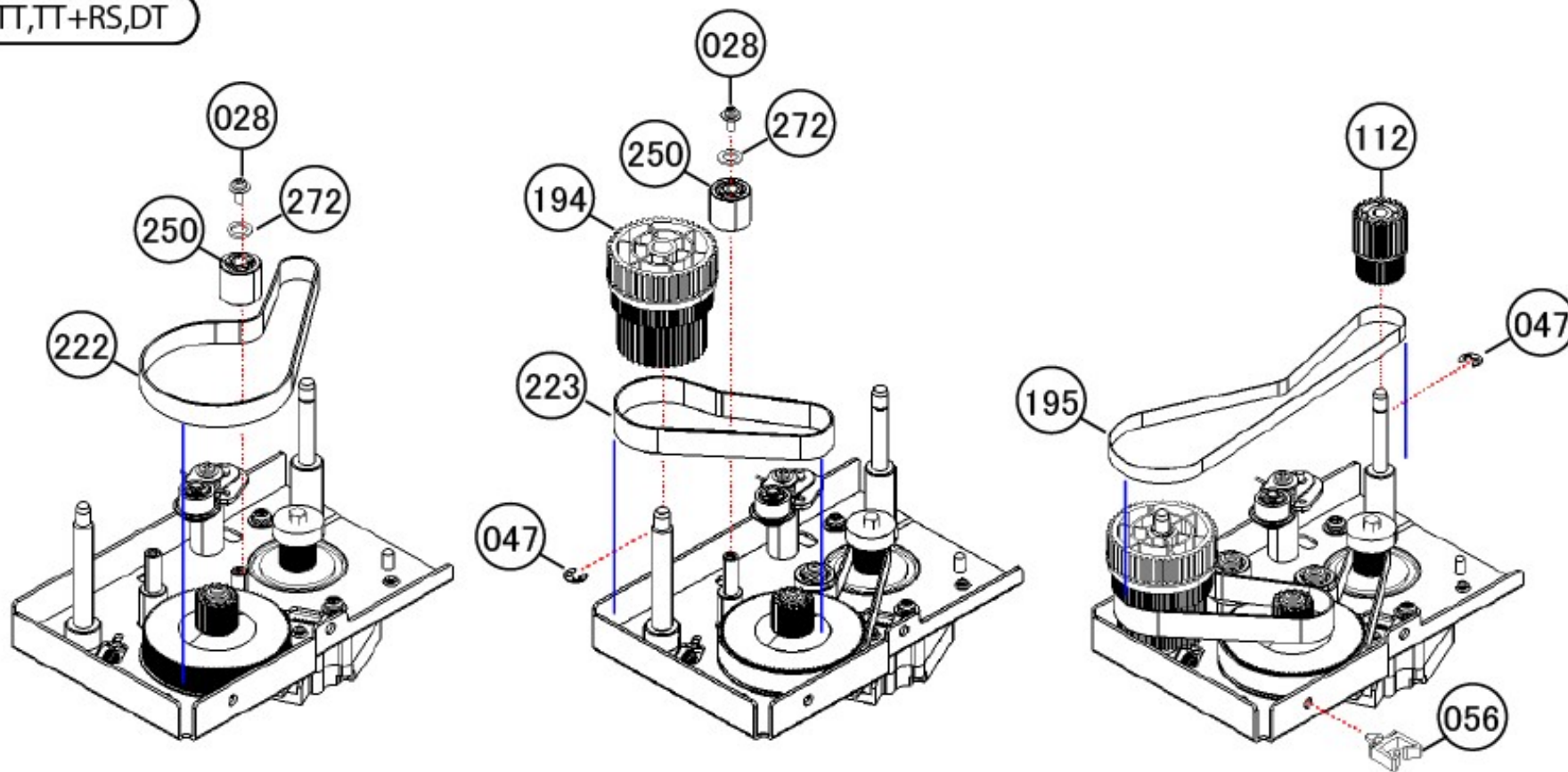


DESCRIPTION
Fig43-LH RS②

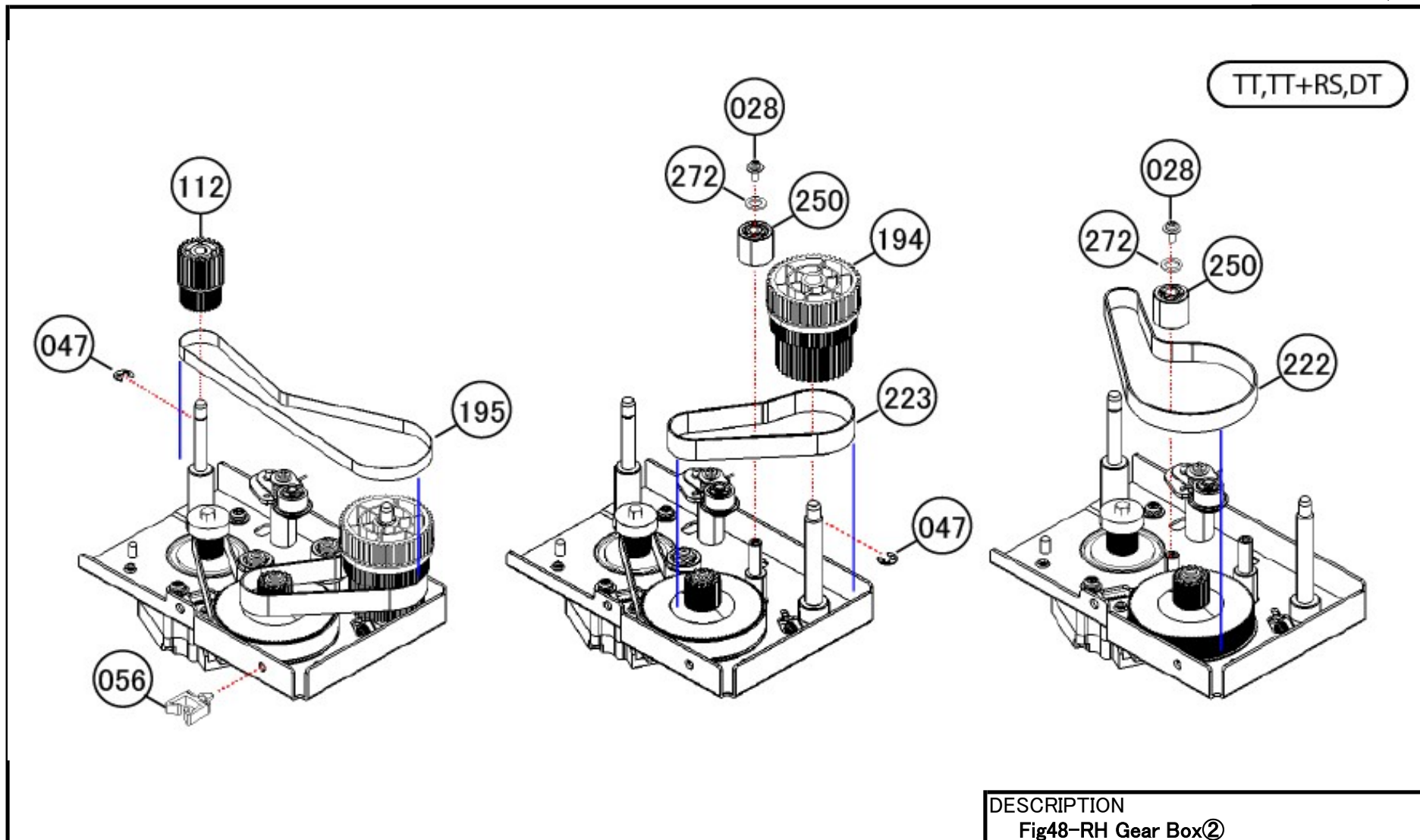




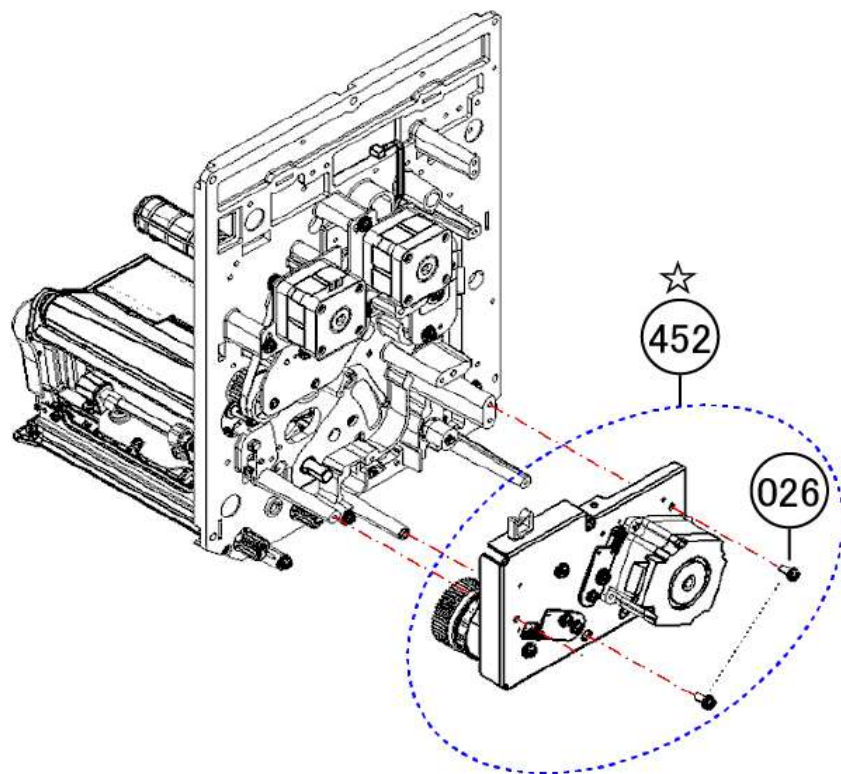
TT,TT+RS,DT



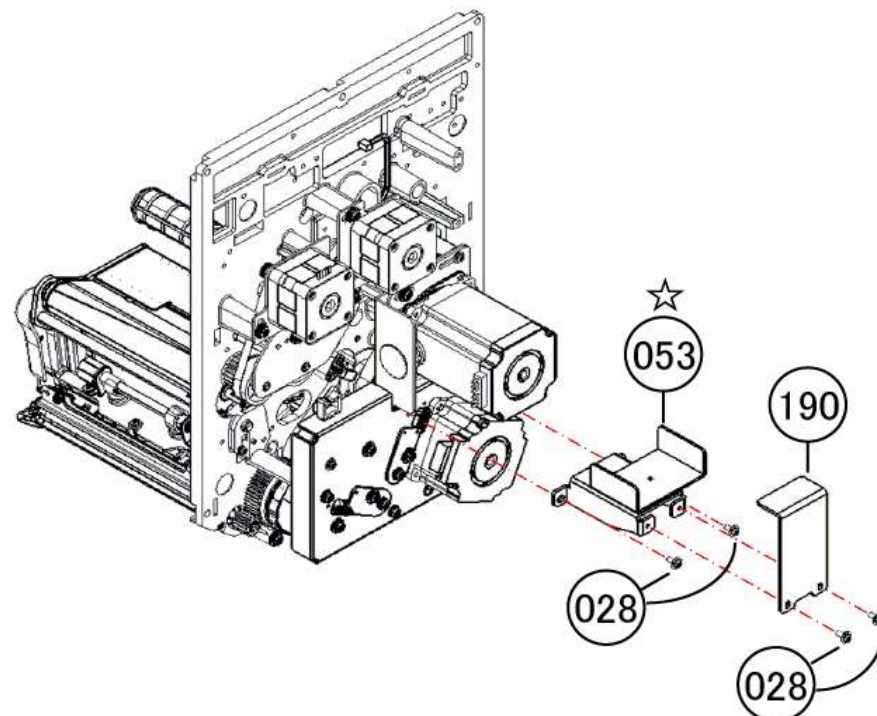
DESCRIPTION
Fig47-LH Gear Box②



TT,TT+RS,DT

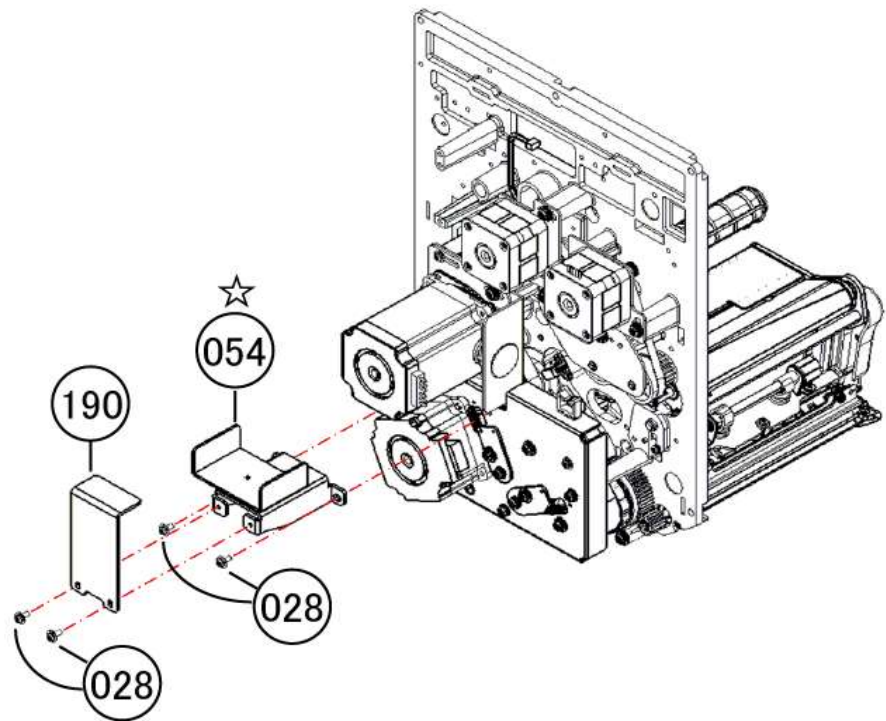


TT+RS

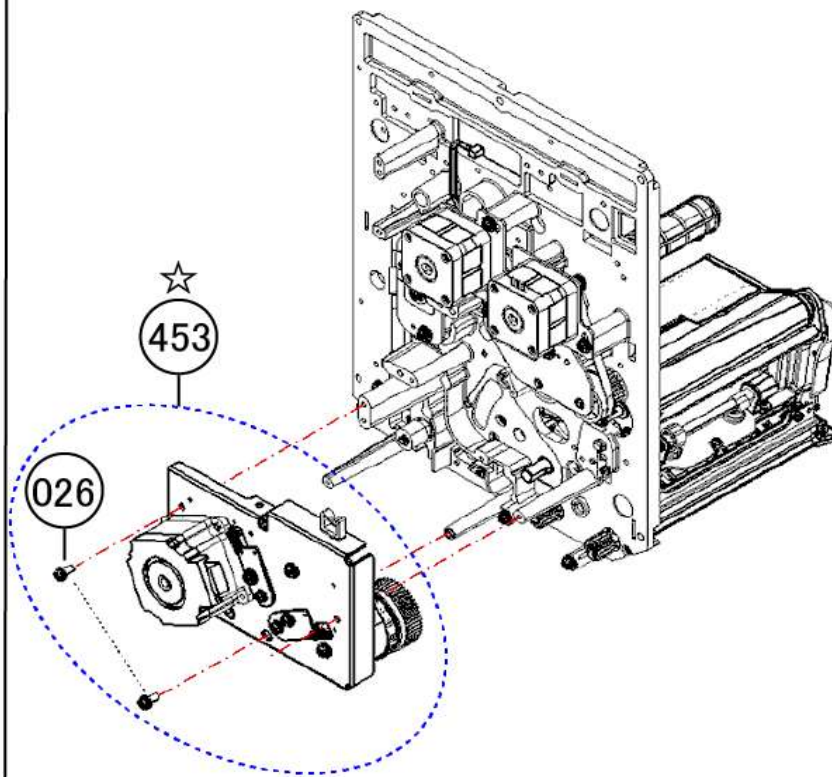


DESCRIPTION
Fig49-LH Gear Box③ + RS③

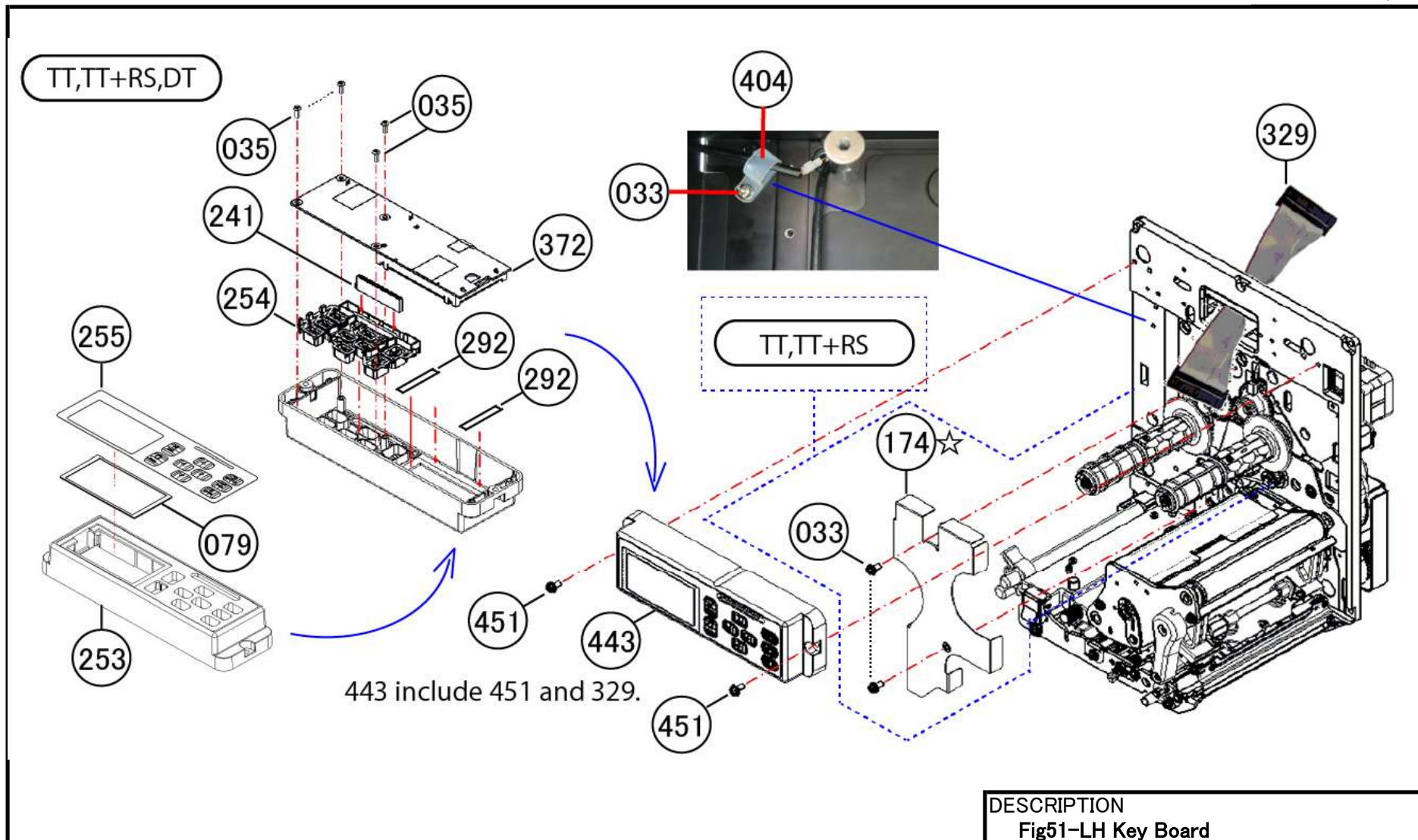
TT+RS

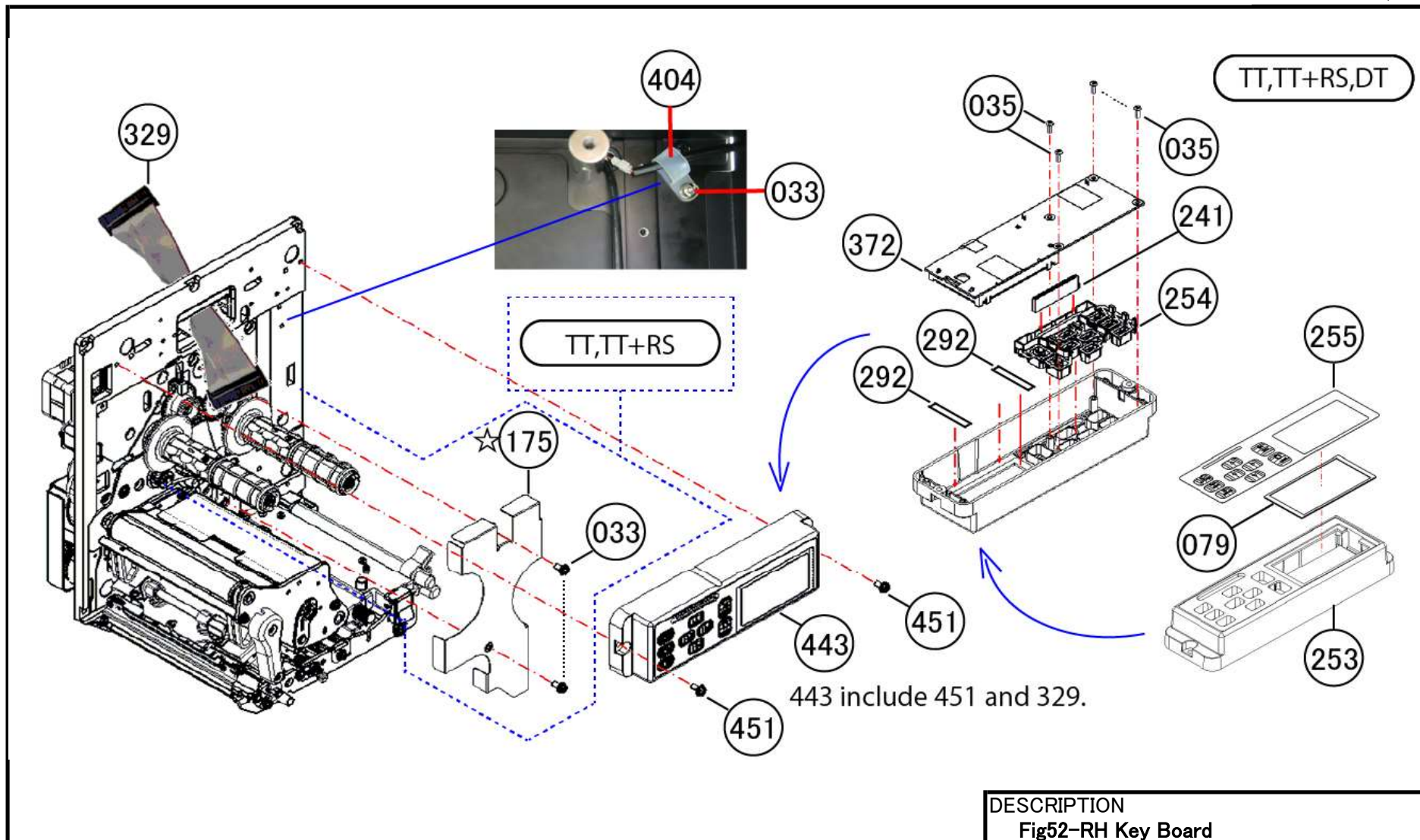


TT,TT+RS,DT

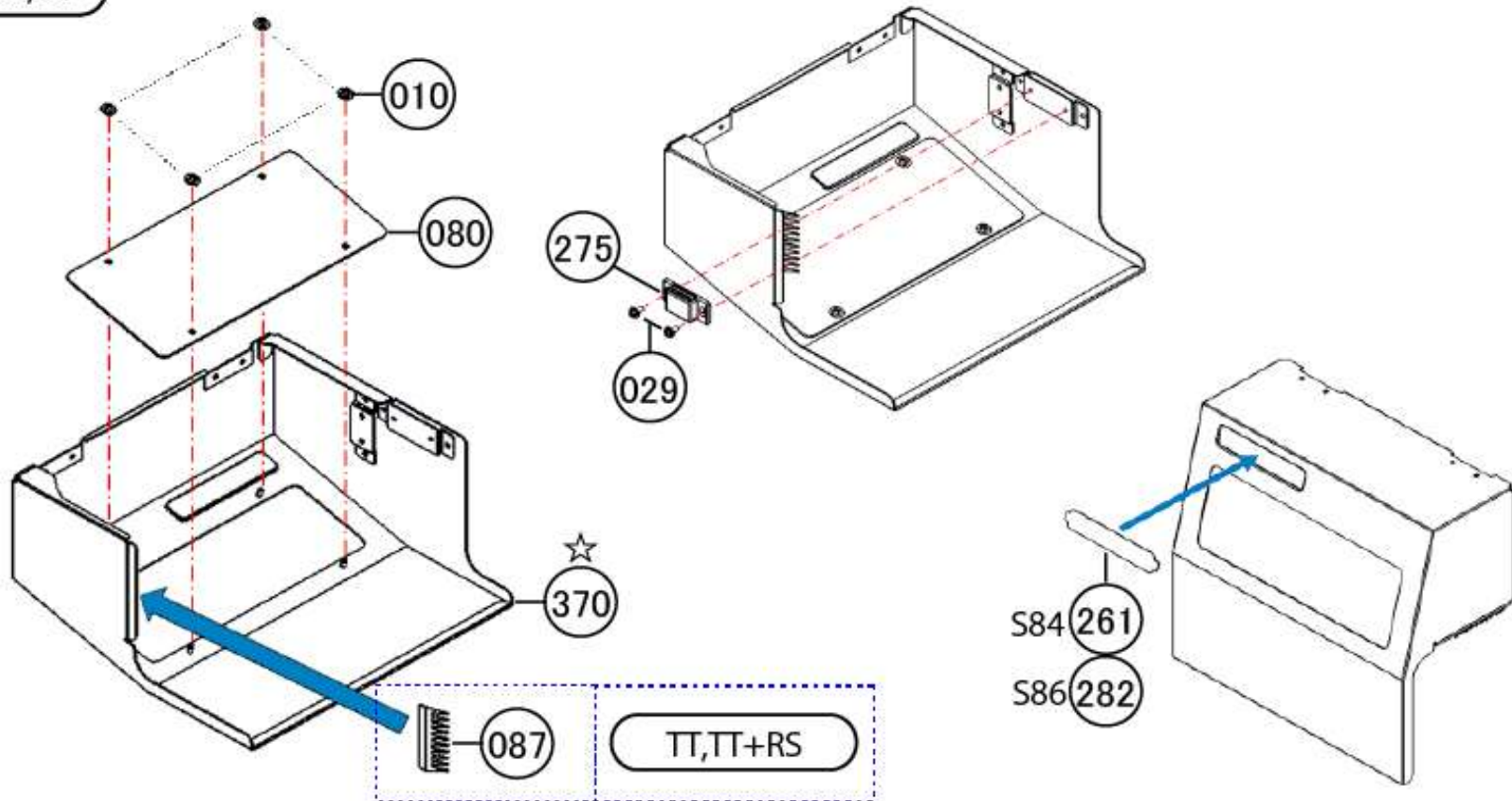


DESCRIPTION
Fig50-RH Gear Box③ + RS③



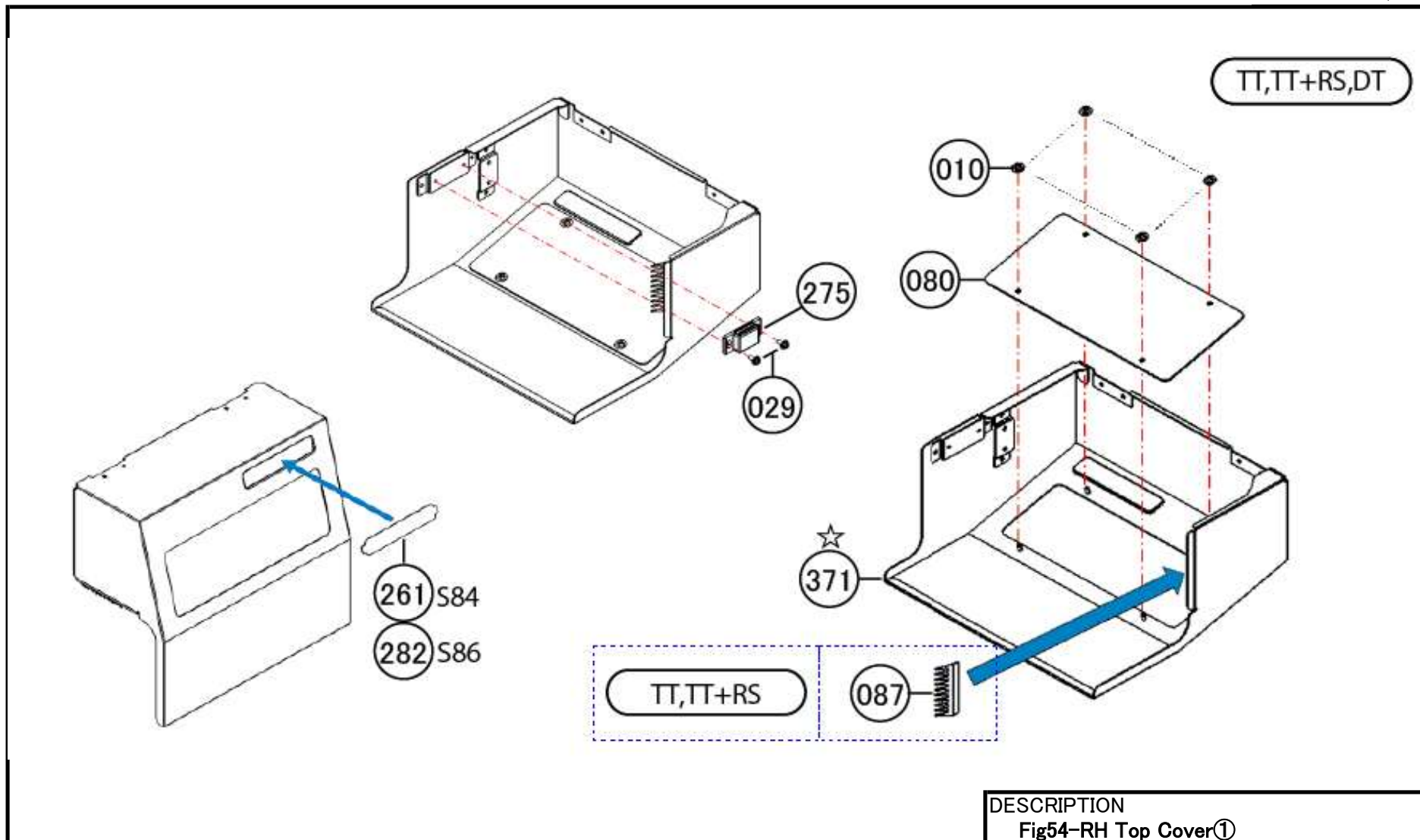


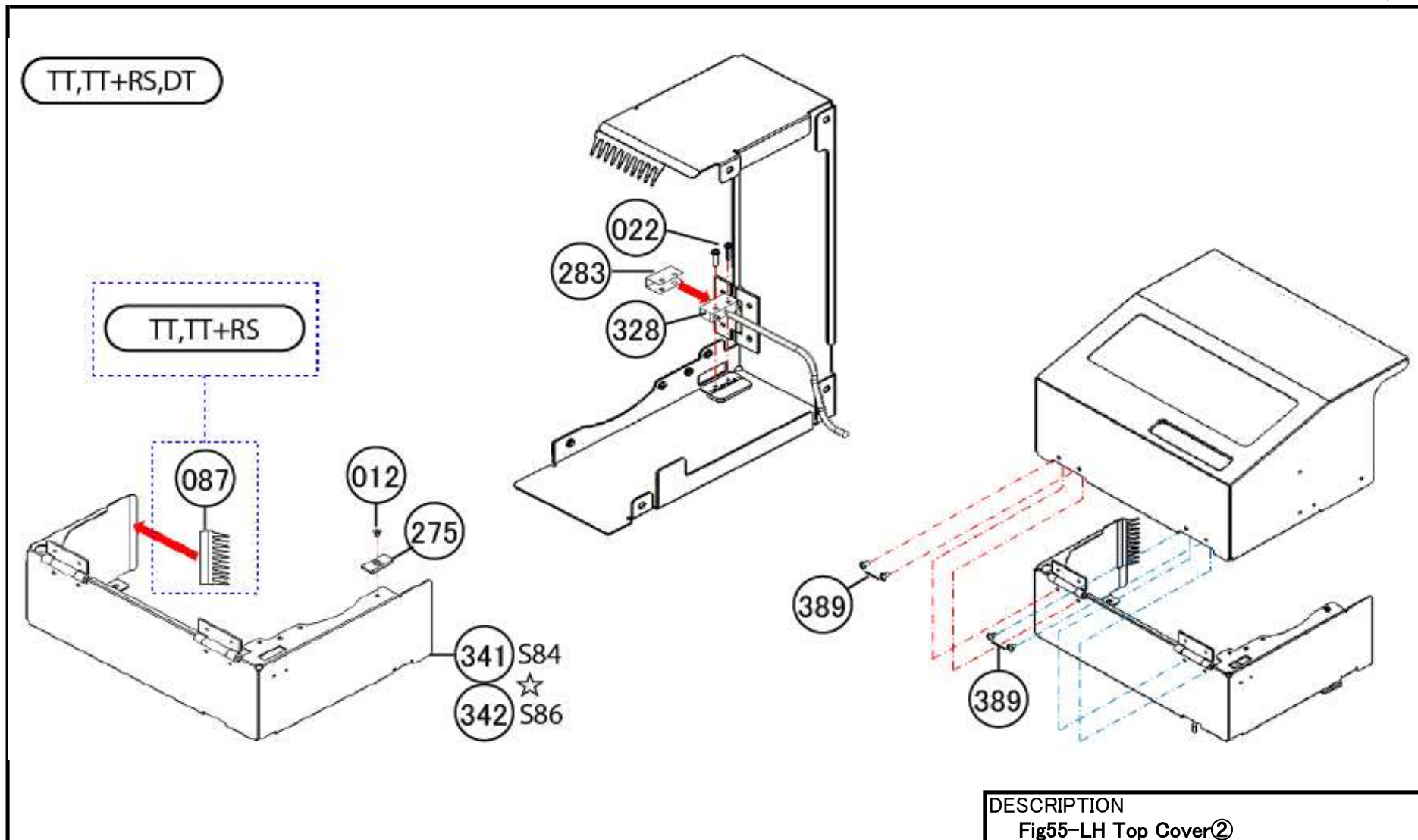
TT,TT+RS,DT

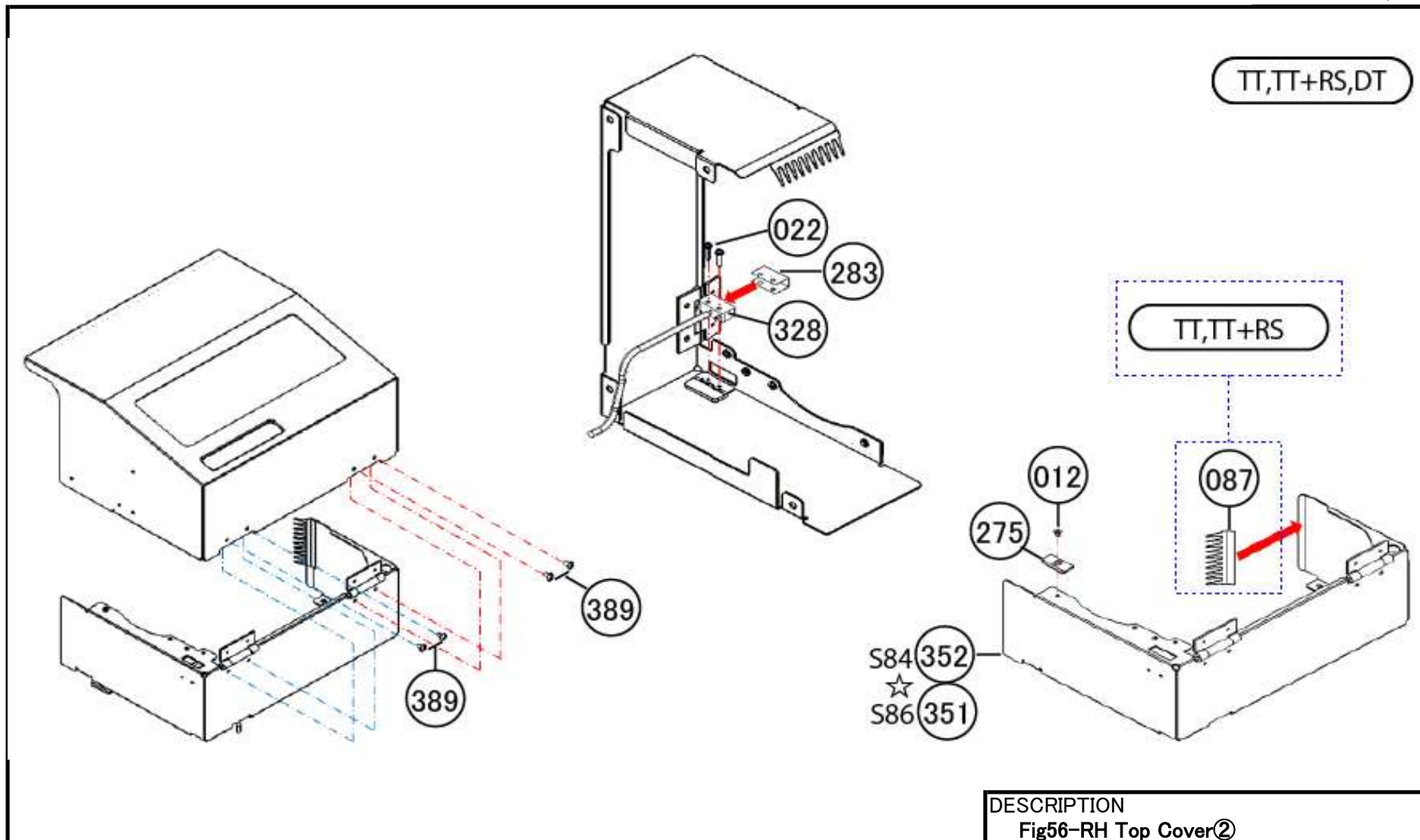


TT,TT+RS

DESCRIPTION
Fig53-LH Top Cover①

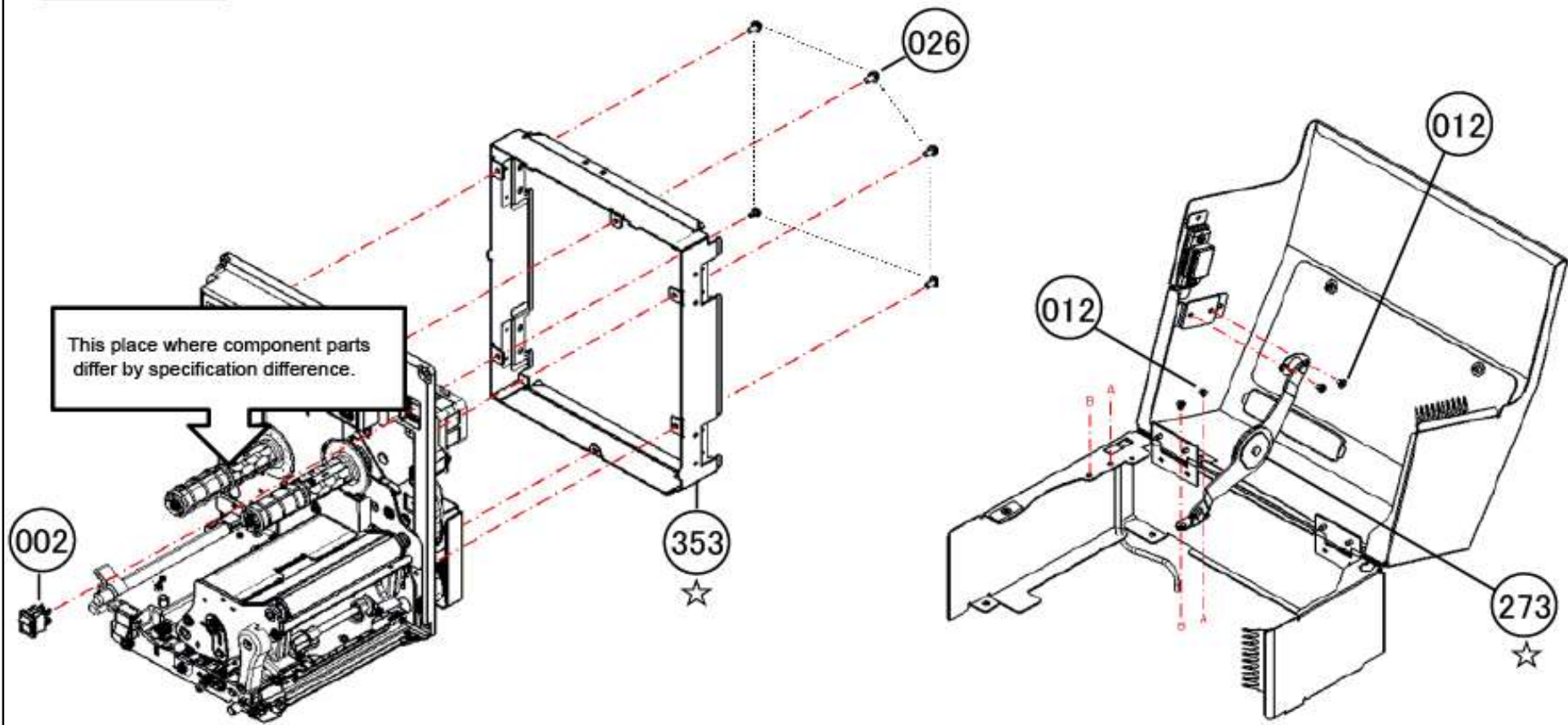






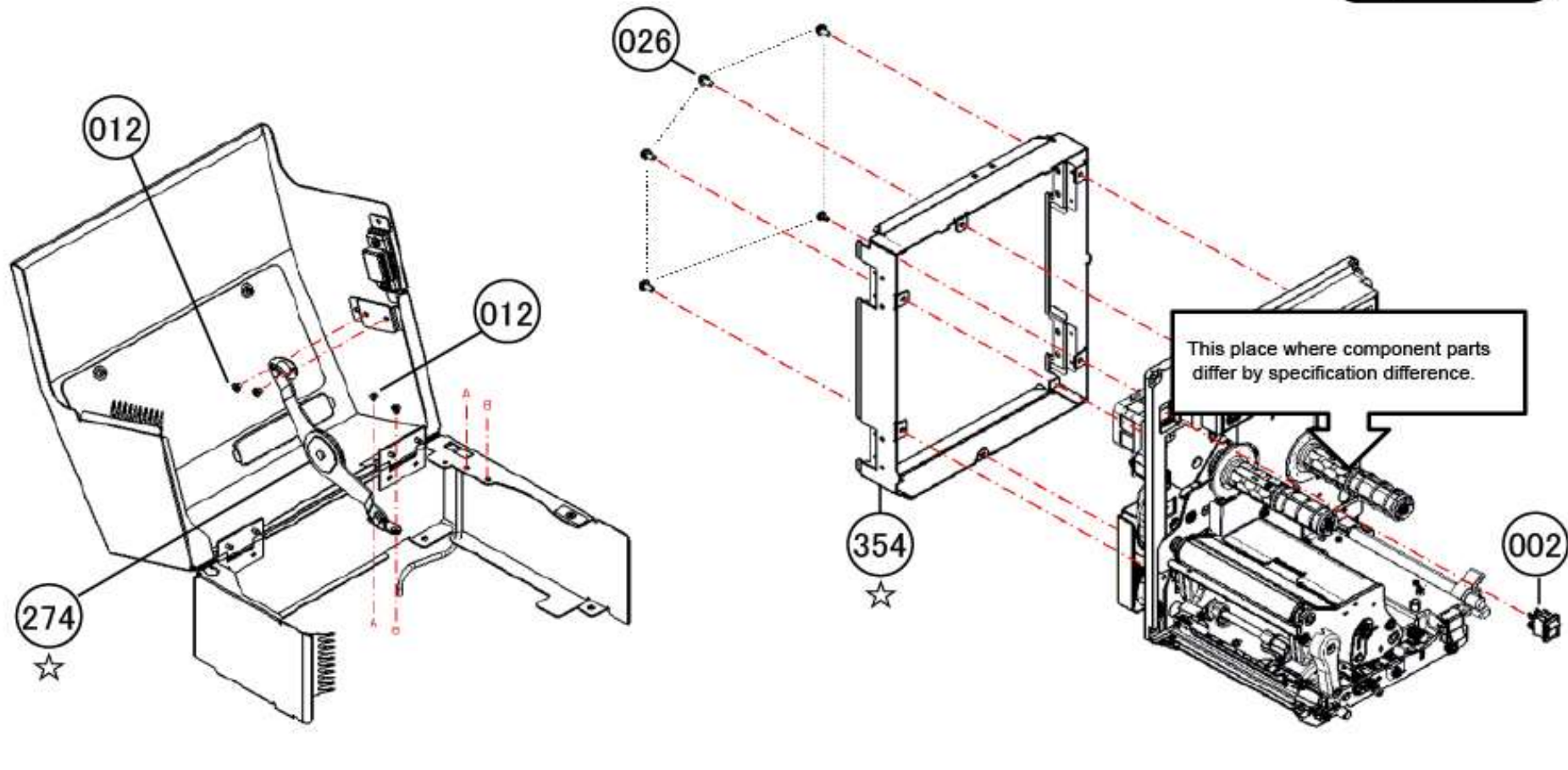
TT,TT+RS,DT

This place where component parts differ by specification difference.

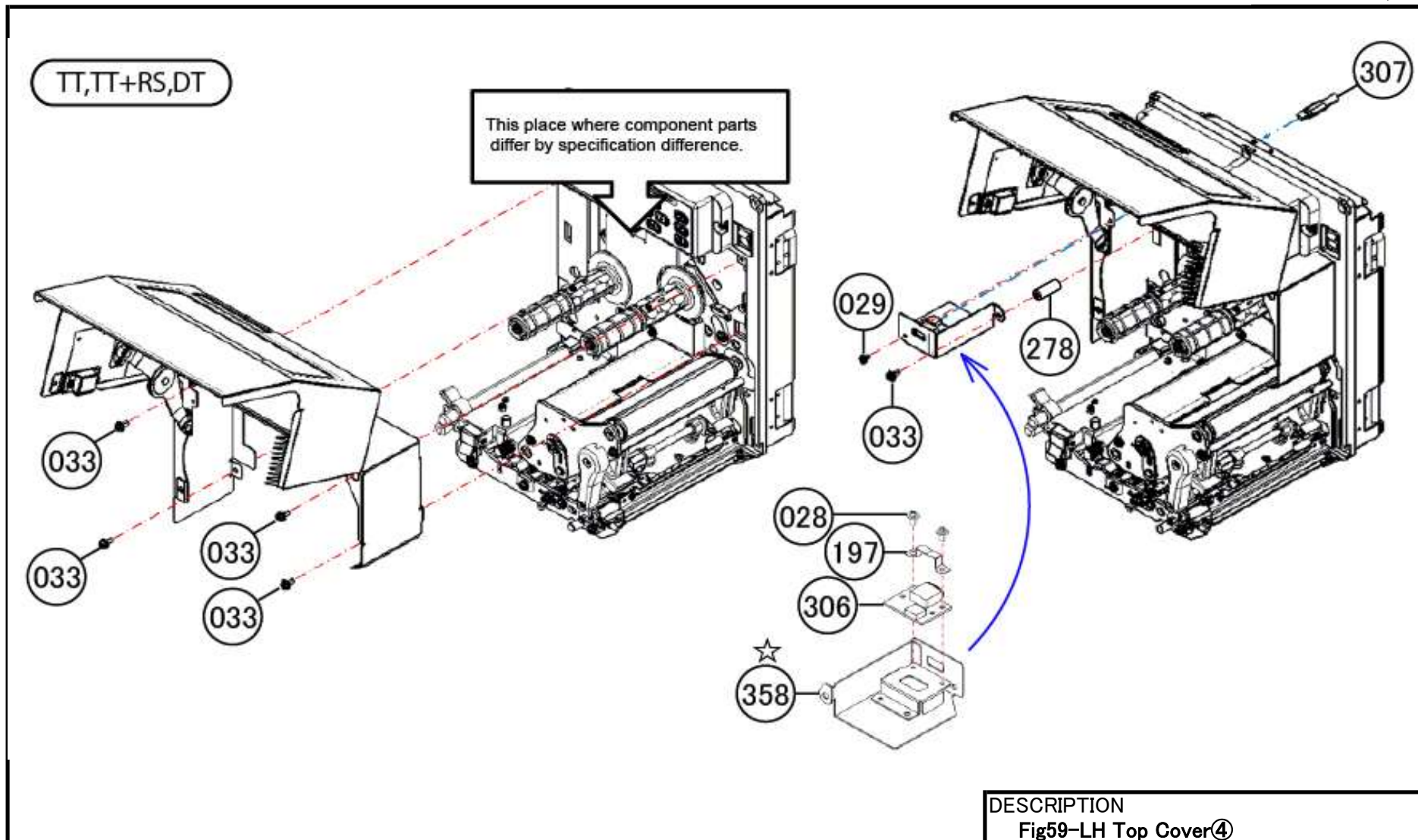


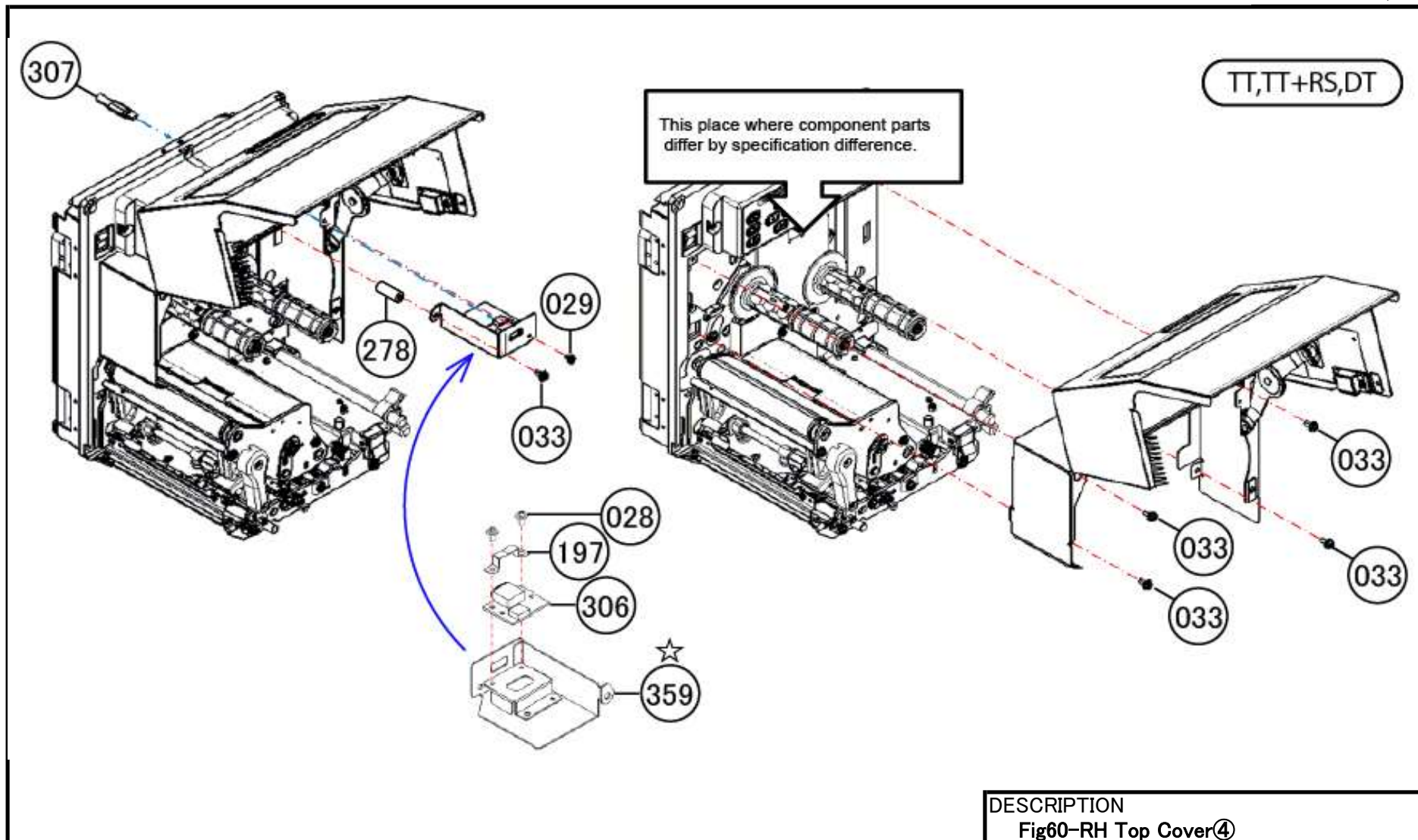
DESCRIPTION
Fig57-LH Top Cover③

TT,TT+RS,DT

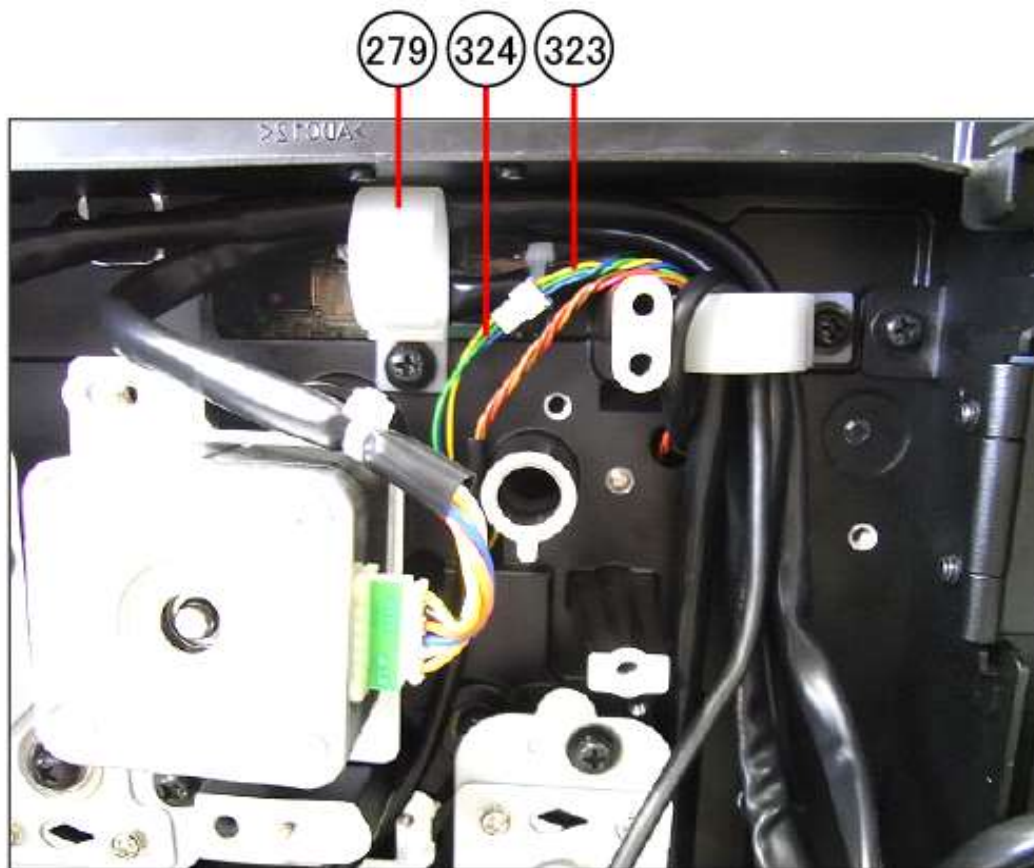


DESCRIPTION
Fig58-RH Top Cover③



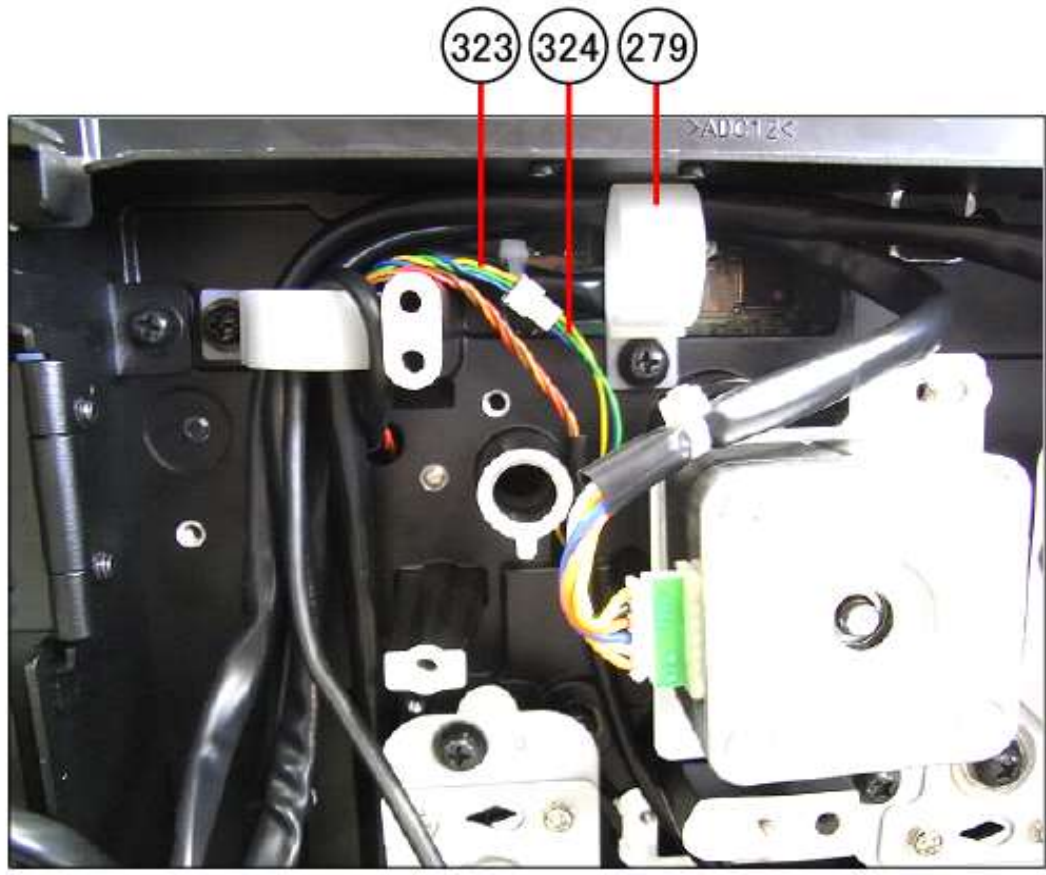


TT,TT+RS



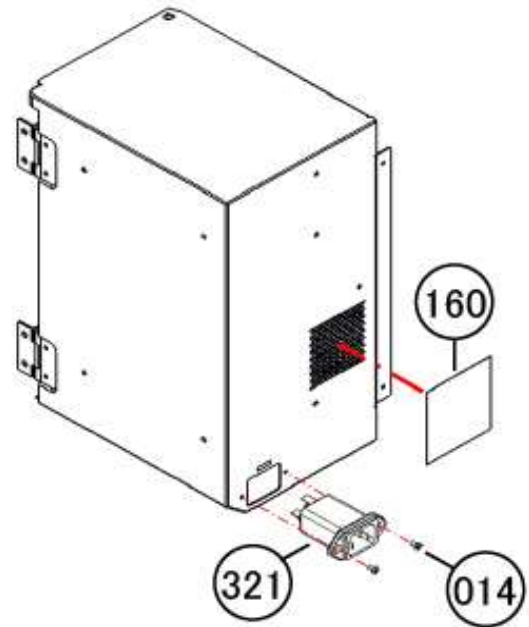
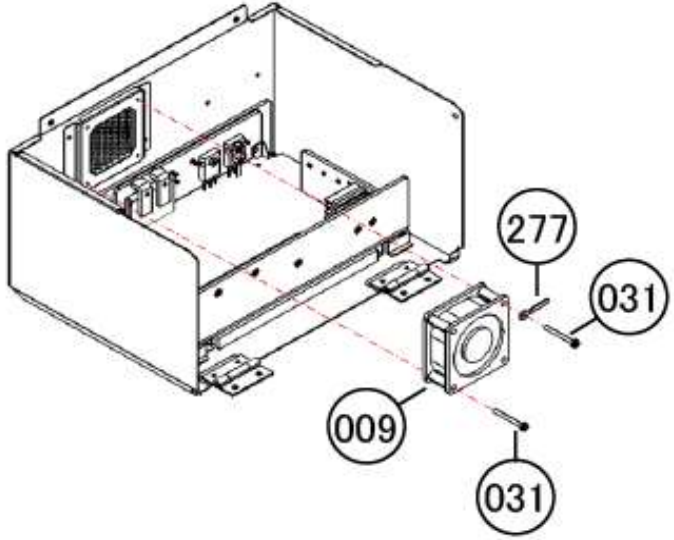
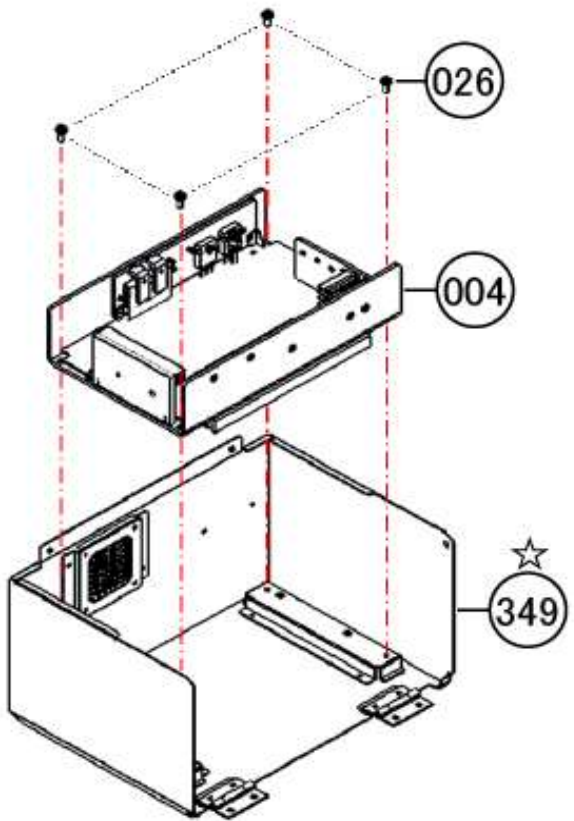
DESCRIPTION
Fig61-LH Cable①

TT,TT+RS

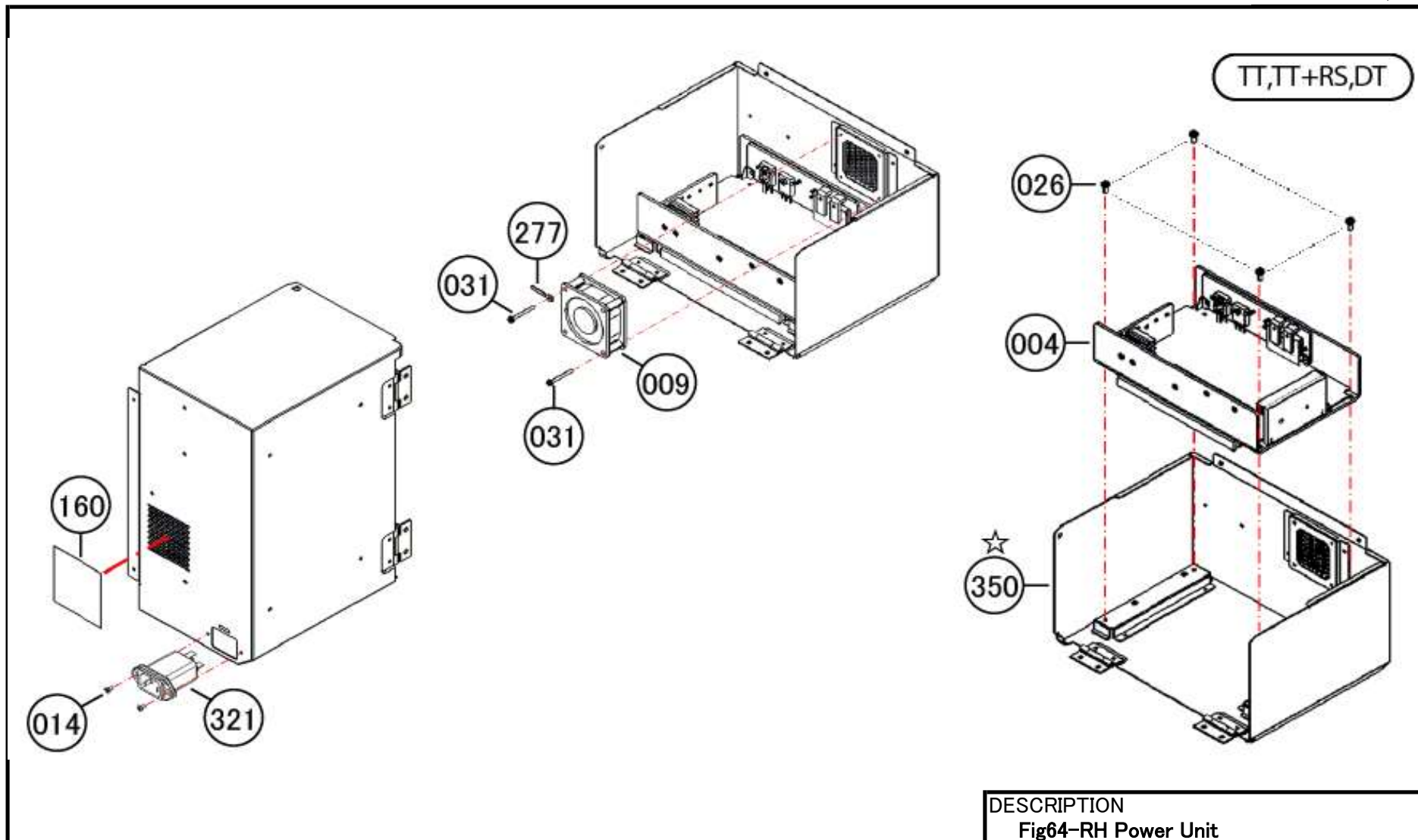


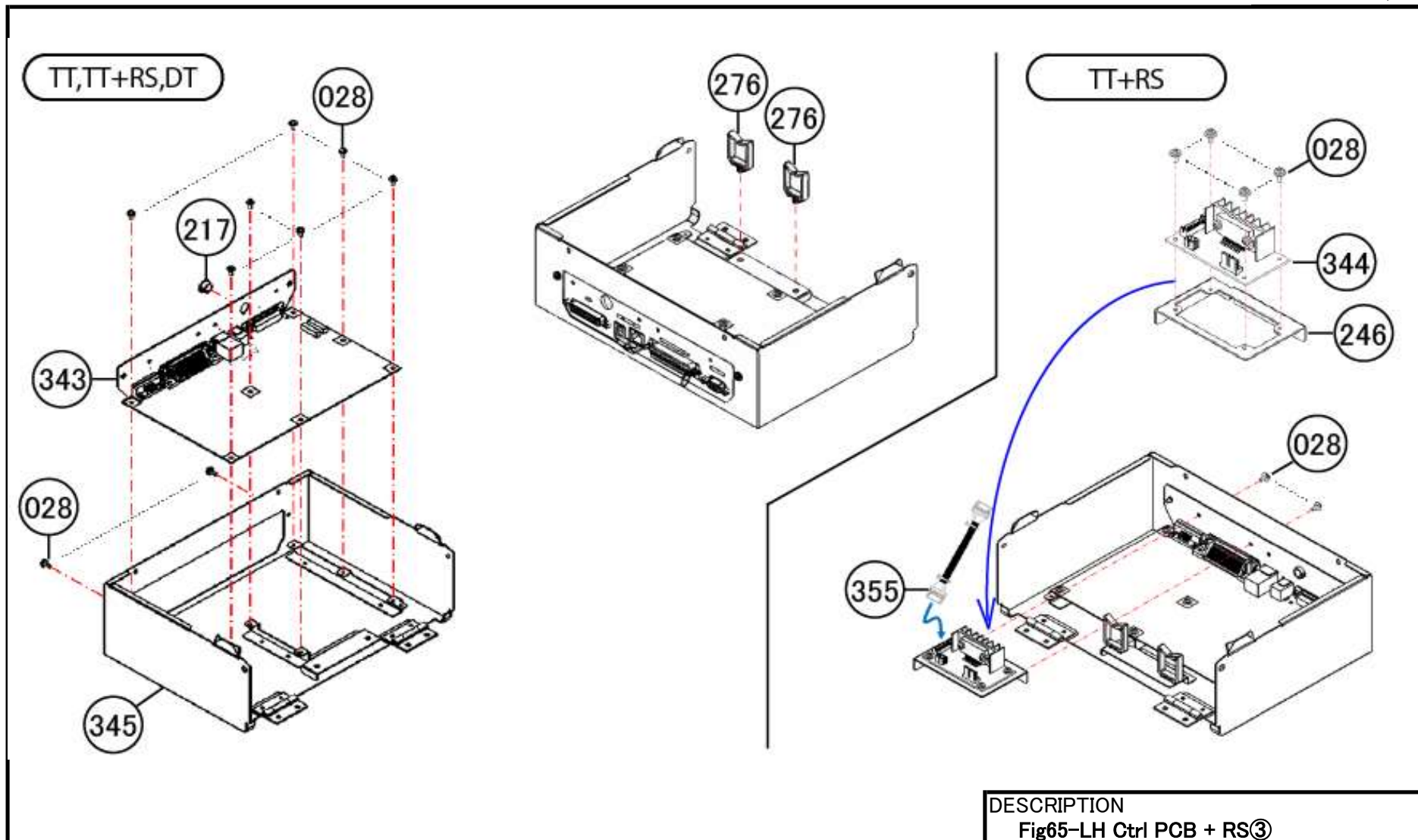
DESCRIPTION
Fig62-RH Cable①

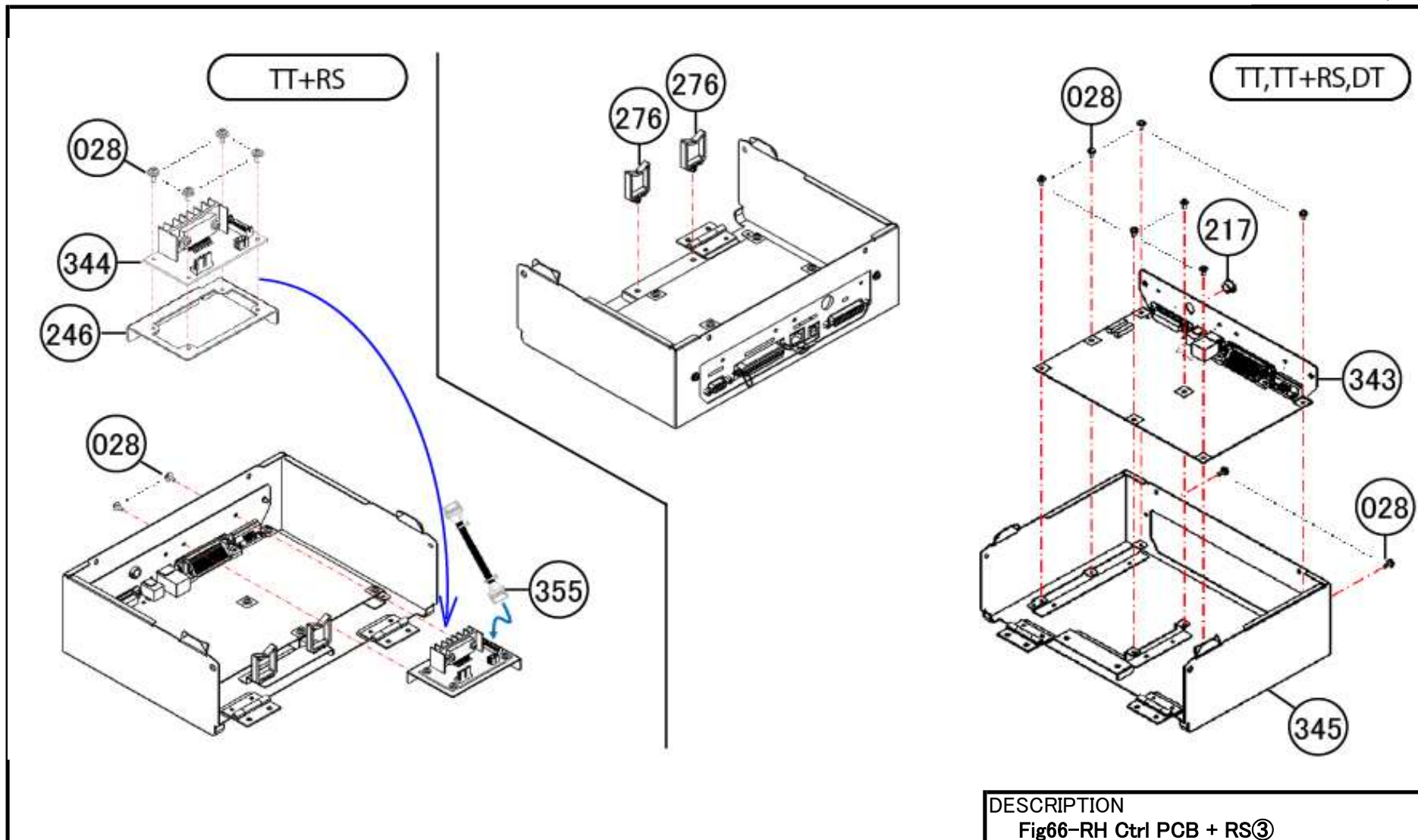
TT,TT+RS,DT



DESCRIPTION
Fig63-LH Power Unit





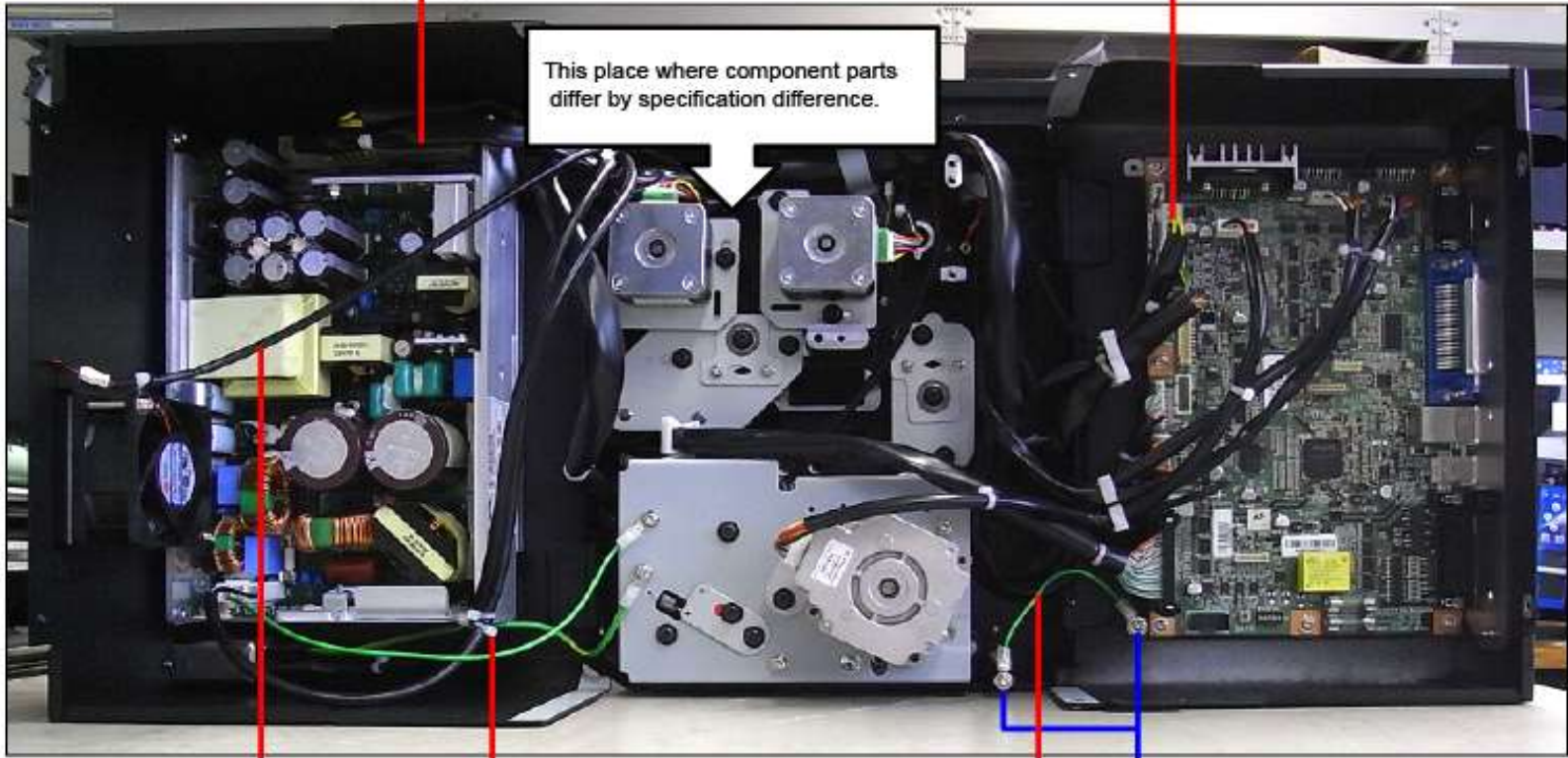


TT,TT+RS,DT

S84(369) 318 S86

317

This place where component parts differ by specification difference.



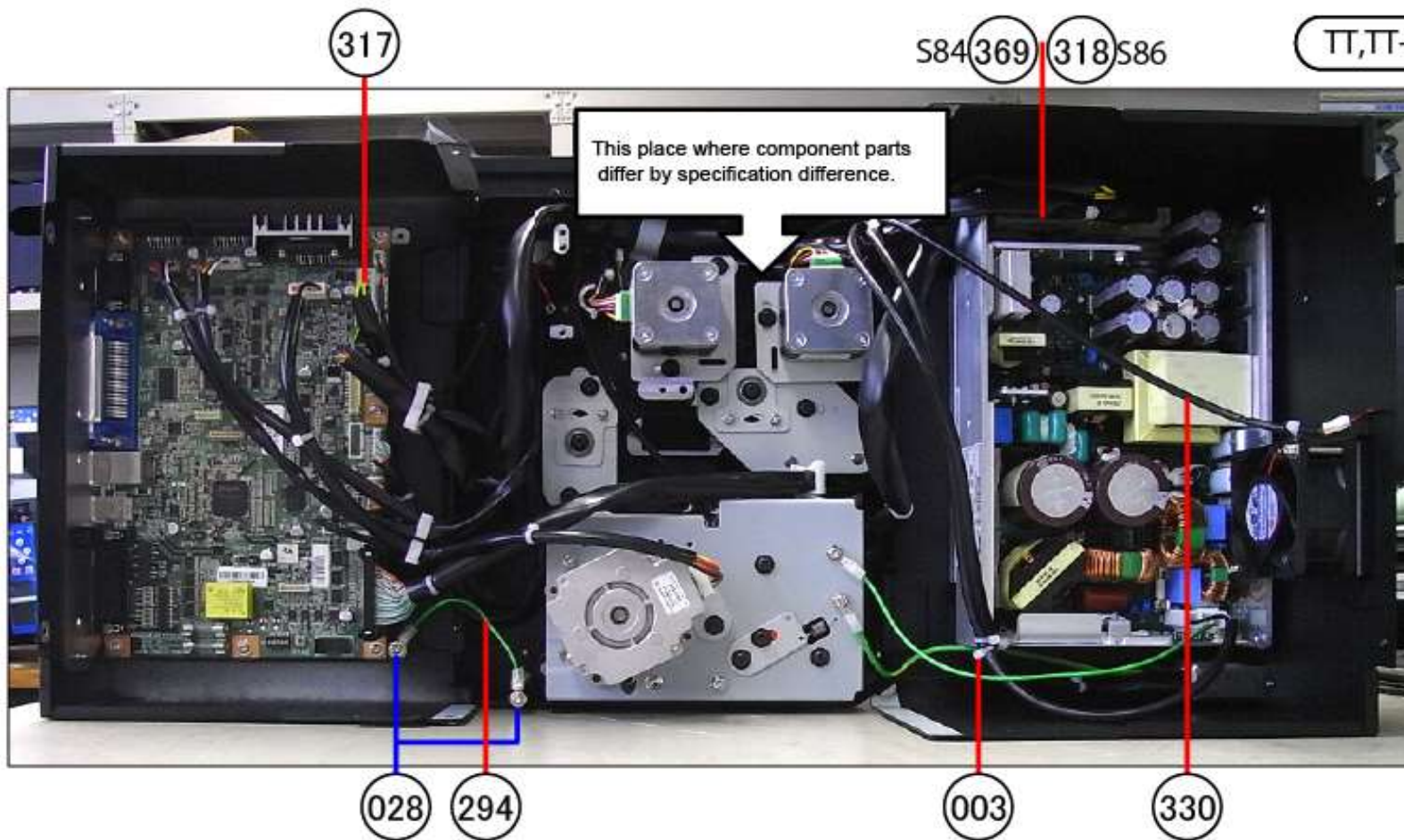
330

003

294

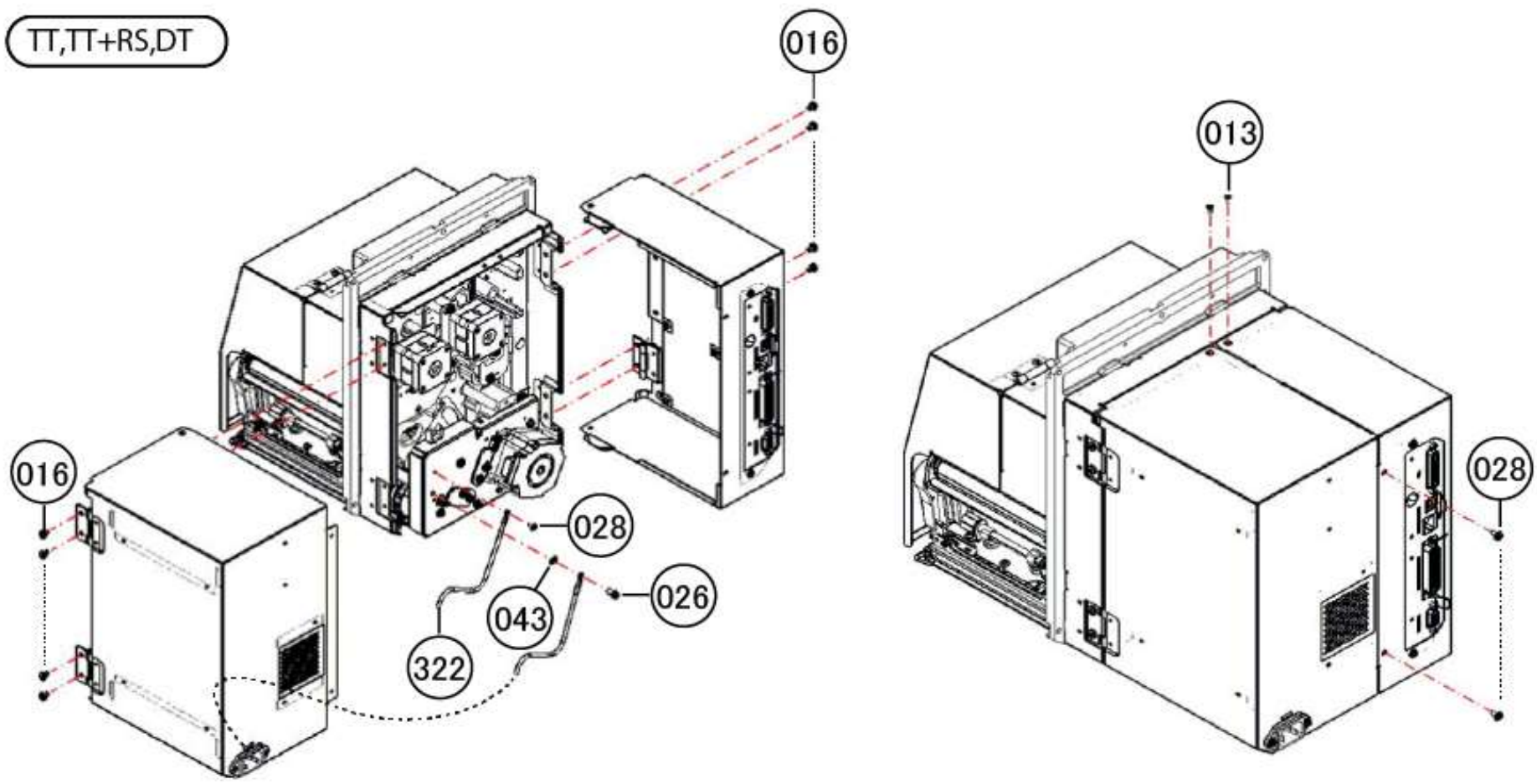
028

DESCRIPTION
Fig67-LH Cable②

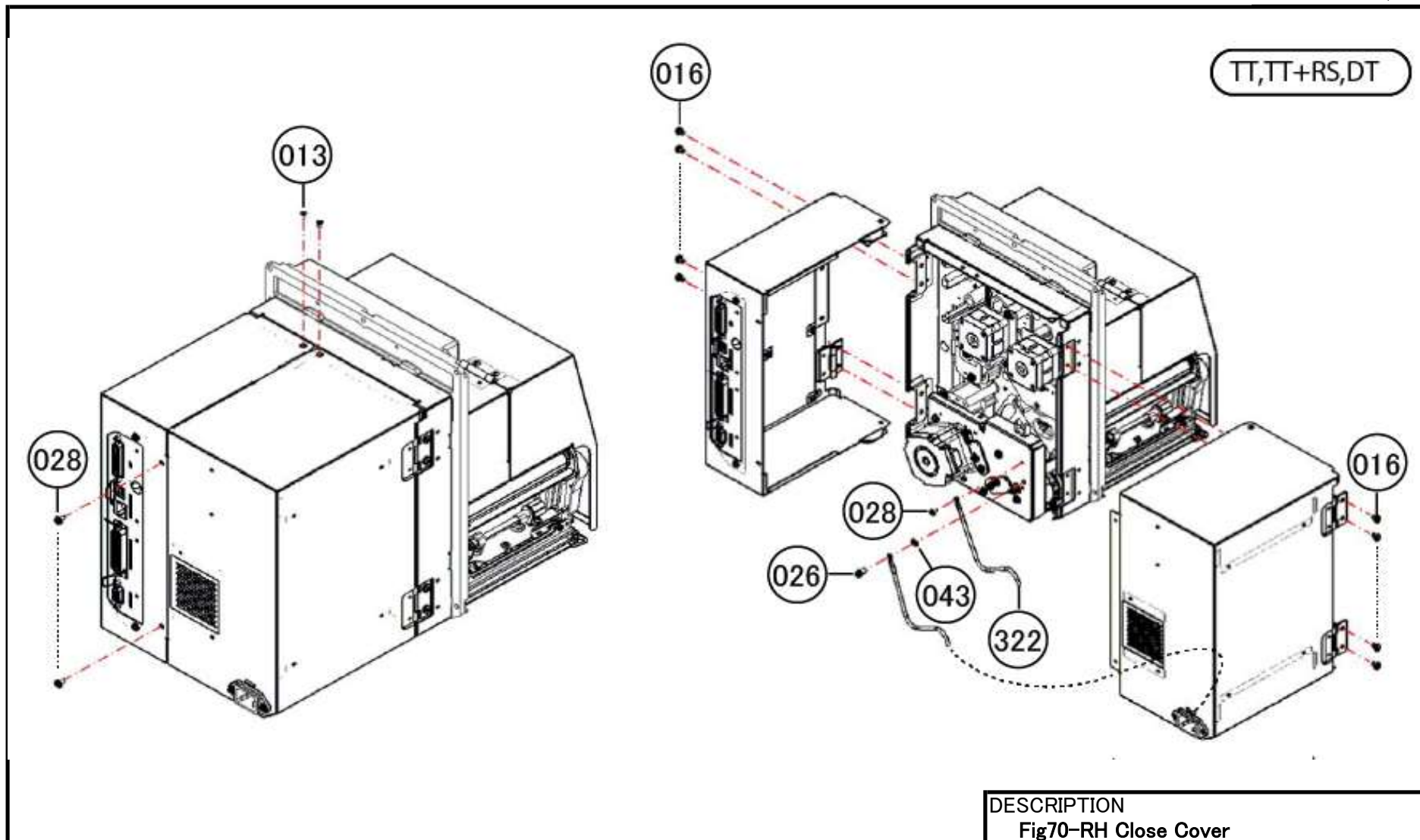


DESCRIPTION
Fig68-RH Cable②

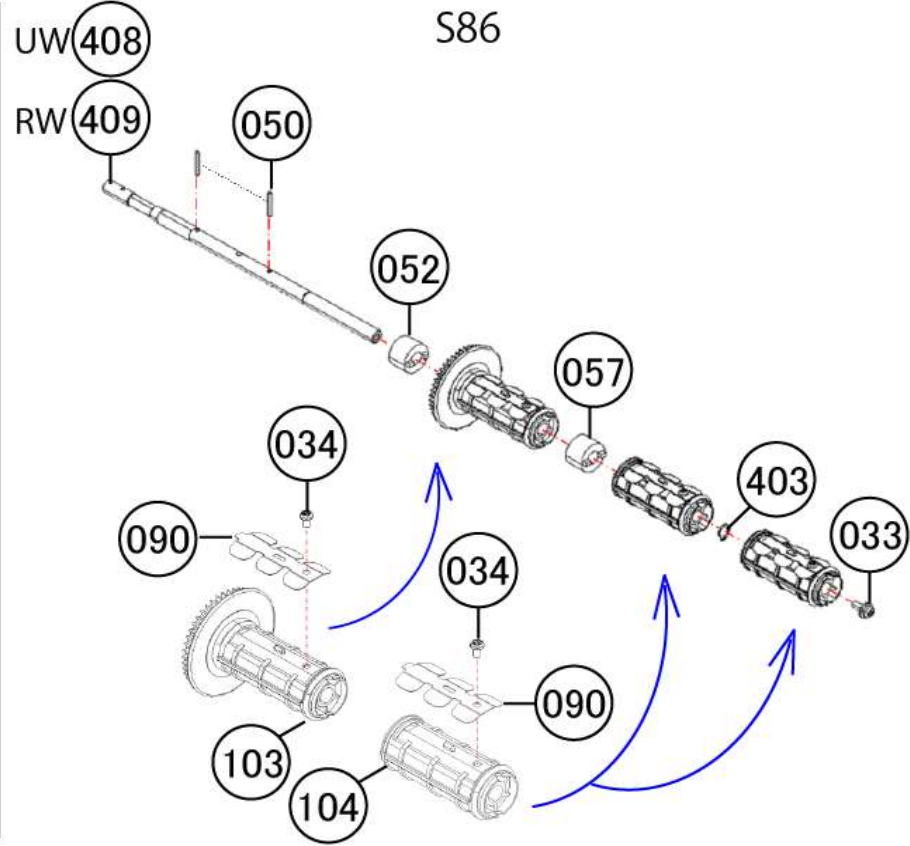
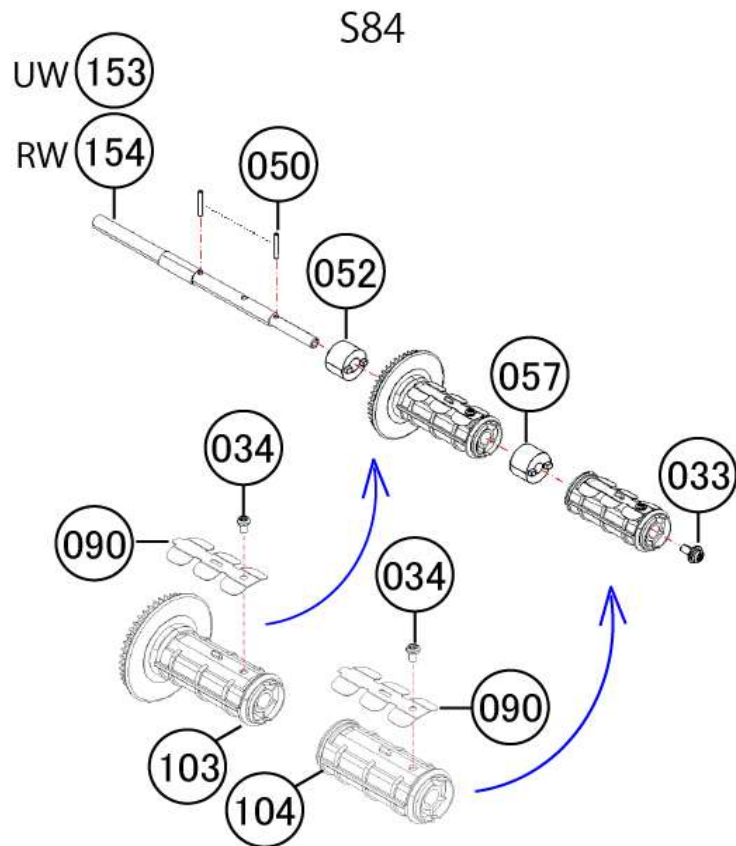
TT,TT+RS,DT



DESCRIPTION
Fig69-LH Close Cover

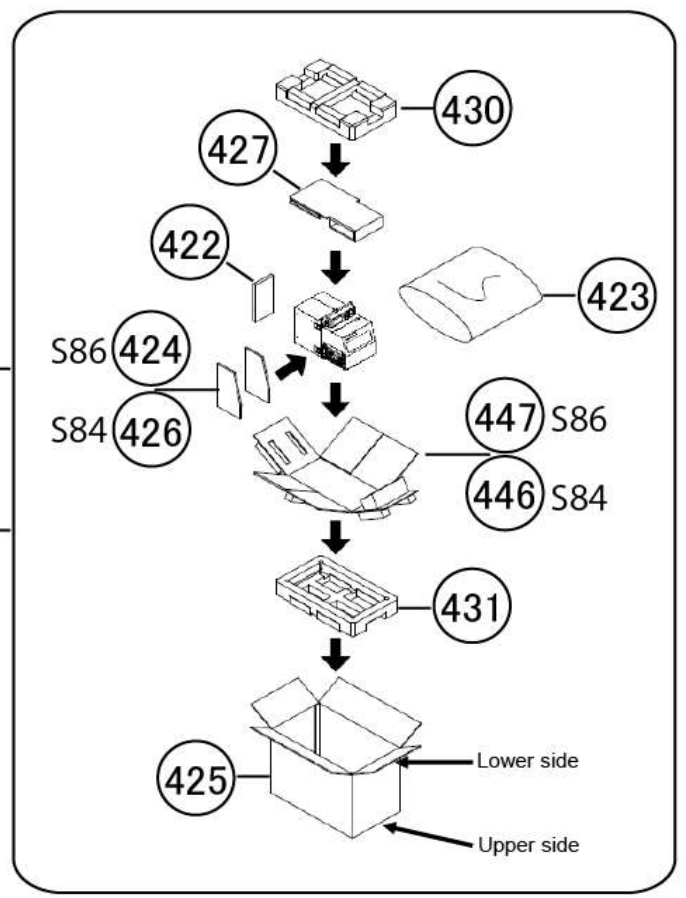
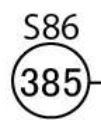
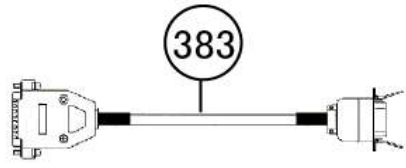
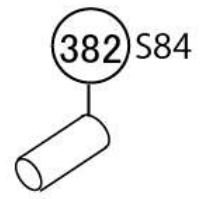
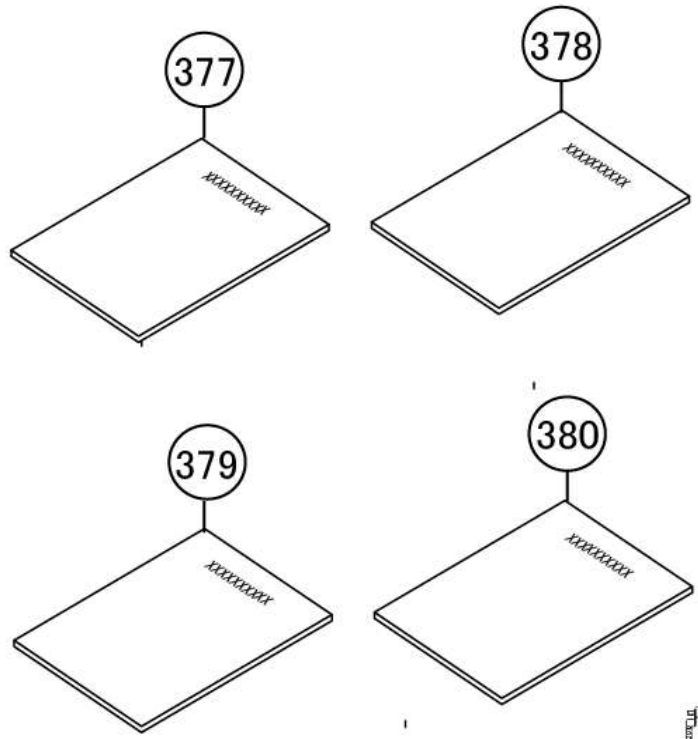


TT,TT+RS

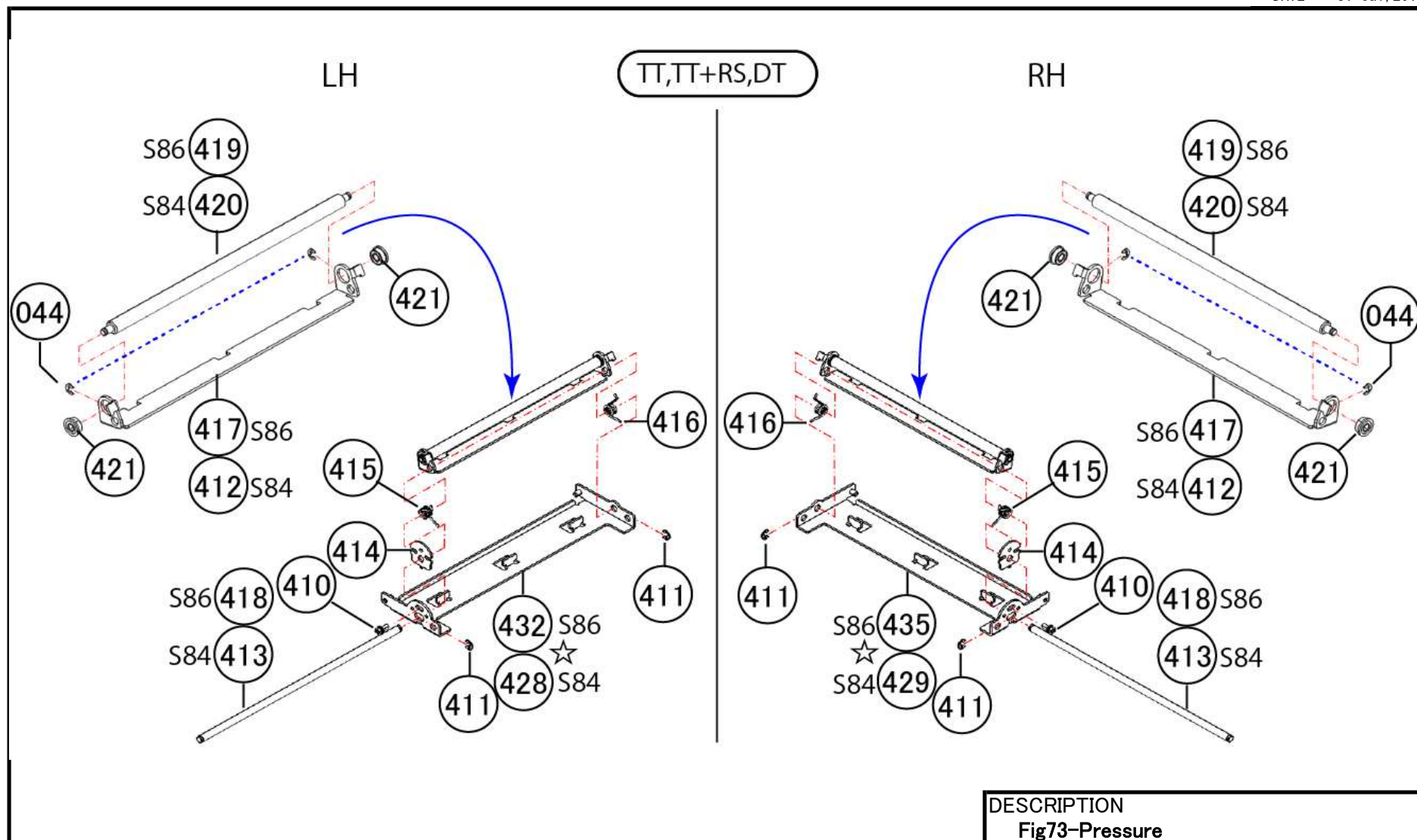


DESCRIPTION
Fig71-Ribbon Boss

TT,TT+RS,DT



DESCRIPTION
Fig72-Attachment



S84XX-ex S86XX-ex SERVICE PARTS LIST

DATE: 31 Jul, 2019

NO	First Code	Description	NOTE
1	F00177000	PHOTO INTERRUPTER -LF	Fig03, 04, 15, 16/Recommended Spare parts
2	G00528000	ROCKER SWITCH -LF	Fig57, 58/
3	JG100011A	TIE WRAP	Fig67, 68/
4	K00466000	POWER SUPPLY (UNIVERSAL) S84-ex/S86-ex	Fig63, 64/Recommended Spare parts
5	K00475000	STEPPING MOTOR-LF	Fig45, 46/
6	K00476000	STEPPING MOTOR-LF	Fig41, 42/
7	K00477000	STEPPING MOTOR-LF	Fig41, 42/
8	K00484000	STEPPING MOTOR -LF	Fig43, 44/
9	K00485000	DC FAN -LF	Fig63, 64/Recommended Spare parts
10	MV8300030	PUSH NUT	Fig53, 54/
11	MA0301022	PAN HEAD SCREW	Fig09, 10/
12	MA1300422	FLAT HEAD SCREW	Fig55, 56, 57, 58/
13	MA1300622	FLAT HEAD SCREW	Fig69, 70/
14	MA1300822	FLAT HEAD SCREW	Fig63, 64/
15	MA2300622	BIND HEAD SCREW	Fig11, 12, 13, 14, 21, 22, 23, 24/
16	MA2400628	BIND HEAD SCREW	Fig43, 44, 69, 70/
17	MA2400828	BIND HEAD SCREW	Fig31, 32/
20	MD3200428	PAN HEAD SCREW+SW+WS	Fig31, 32/
21	MD3200822	PAN HEAD SCREW+SW+WS	Fig11, 12/
22	MD3201022	PAN HEAD SCREW+SW+WS	Fig55, 56/
24	MD3300622	PAN HEAD SCREW+SW+WS	Fig03, 04, 05, 06, 09, 10, 11, 12, 17, 18, 19, 20, 25, 26, 35, 36, 41, 42/
25	MD3300822	PAN HEAD SCREW+SW+WS	Fig01, 02/
26	MD3401022	PAN HEAD SCREW+SW+WS	Fig03, 04, 27, 28, 31, 32, 45, 46, 49, 50, 57, 58, 63, 64, 69, 70/
27	MD4300622	PAN HEAD SCREW+SW+WL	Fig43, 44/
28	MD4300822	PAN HEAD SCREW+SW+WL	Fig13, 14, 27, 28, 29, 30, 31, 32, 45, 46, 47, 48, 49, 50, 59, 60, 65, 66, 67, 68, 69, 70/
29	MD4300828	PAN HEAD SCREW+SW+WL	Fig29, 30, 45, 46, 53, 54, 59, 60/
30	MD4301228	PAN HEAD SCREW+SW+WL	Fig27, 28, 31, 32/
31	MD4303022	PAN HEAD SCREW+SW+WL	Fig63, 64/

S84XX-ex S86XX-ex SERVICE PARTS LIST

DATE: 31 Jul, 2019

NO	First Code	Description	NOTE
33	MD4401028	PAN HEAD SCREW+SW+WL	Fig01, 02, 05, 06, 07, 08, 21, 22, 23, 24, 25, 26, 27, 28, 29, 30, 31, 32, 33, 34, 35, 36, 37, 38, 39, 40, 41, 42, 43, 44, 45, 46, 51, 52, 59, 60, 71/
34	MH0300522	PAN HEAD P TIGHT SCREW	Fig71/
35	MH0300822	PAN HEAD P TIGHT SCREW	Fig51, 52/
36	MJ1301228	HEX SOCKET HEAD CAP SCREW(W POINT)	Fig35, 36/
37	MJ1400528	HEX SOCKET SET SCREW	Fig27, 28, 31, 32, 35, 36, 43, 44, 45, 46/
38	MN0300628	HEX SOCKET HEAD CAP SCREW	Fig05, 06/
39	MT1300522	HEXAGON NUT	Fig09, 10/
40	MT1400722	HEX NUT	Fig05, 06/
41	NA0040022	PLAIN WASHER	Fig05, 06/
42	NB0040022	SPRING WASHER	Fig05, 06/
43	NB2040022	TOOTHED LOCK WASHER	Fig69, 70/
44	ND0020030	E SNAP RING	Fig05, 06, 09, 10, 11, 12, 35, 36, 73/
46	ND0030030	E SNAP RING	Fig01, 02, 05, 06, 17, 18, 19, 20/
47	ND0040030	E SNAP RING	Fig01, 02, 17, 18, 19, 20, 29, 30, 35, 36, 43, 44, 45, 46, 47, 48/
48	ND0060030	E RING	Fig01, 02, 03, 04, 17, 18, 29, 30/
49	NG2201230	STRAIGHT PIN	Fig29, 30/
50	NG2201630	PARALLEL PIN	Fig29, 30, 71/
51	P02525000	RUBBER DAMPER	Fig43, 44/
52	P08554000	TORQUE LIMITER	Fig29, 30, 71/Recommended Spare parts
53	R11144000	MOTOR GUIDE(LH) SET	Fig49/ LH
54	R11145000	MOTOR GUIDE(RH) SET	Fig50/ RH
55	P11157001	MO PULLEY	Fig43, 44, 45, 46/
56	P11523000	WIRE SADDLE	Fig47, 48/
57	P12267000	TORQUE LIMITER	Fig71/Recommended Spare parts
58	P12836000	DRY METAL	Fig43, 44/
59	P13493000	ONE WAY CLUTCH	Fig40/ RH
60	P13672020	ENGINE FRAME(LH)	Fig03/ LH
61	P13703000	STAY(FRAME)	Fig03, 04/

S84XX-ex S86XX-ex SERVICE PARTS LIST

DATE: 31 Jul, 2019

NO	First Code	Description	NOTE
62	P13725000	ROLLER GUIDE	Fig05, 06/
63	P13793010	SPRING (LABEL GUIDE)	Fig25, 26/
64	P13802000	SHAFT (FEED)	Fig03, 04/
65	P13803010	SHAFT (LABEL GUIDE)	Fig25, 26/
66	P54279000	SHAFT (SUB ROLLER)	Fig05, 06/
67	P13817010	SHAFT (GEAR UW)	Fig29, 30/
68	P13821000	SHAFT (SLIT GEAR)	Fig01, 02/
69	P13822000	SHAFT (GEAR PULLEY)	Fig01, 02/
70	P13825000	SHAFT (CAM)	Fig35, 36/
71	P13826000	SHAFT (HEAD)	Fig17, 18/
72	P13863010	TENSION ROLLER	Fig45, 46/
73	P13907000	SLIT GEAR (18)	Fig01, 02/
74	P13908000	GEAR PULLEY (20/48)	Fig01, 02/
75	P13909000	PULLEY (S2M 40)	Fig39, 40/
76	P13910010	ROLLER GEAR (20)	Fig29, 30/
77	P13911000	PULLEY (S2M 28)	Fig29, 30/
79	P14037000	LCD PROTECTOR	Fig51, 52/
80	P14038100	WINDOW	Fig53, 54/
81	P14225000	ONEWAY CLUTCH	Fig29, 30/
82	P15927100	LABEL GUIDE	Fig25, 26/
83	P15930100	KNOB (GAP SENSOR)	Fig09, 10/
84	P15937100	KNOB (HEAD SLIDE)	Fig05, 06/
85	P16092020	BEARING CLAMP	Fig07, 08/
86	P16645000	COLLAR (5.1*7*8)	Fig05, 06/
87	P16765000	ANTI STATIC SHEET	Fig53, 54, 55, 56/
89	P17012000	PRESSURE LEVER	Fig03, 04/
90	P17016000	BOSS SPRING	Fig71/
91	P17019000	MOTOR PLATE (RIBBON)	Fig41, 42/

S84XX-ex S86XX-ex SERVICE PARTS LIST

DATE: 31 Jul, 2019

NO	First Code	Description	NOTE
92	P17021000	PULLEY FRAME	Fig39, 40/
93	P17022020	HEAD SHAFT BR	Fig21, 22/
94	P17023010	SAVER LEVER	Fig35, 36/
95	P17025000	MOTOR PLATE	Fig43, 44/
96	P17026000	SENSOR ARM	Fig25, 26/
98	P17034000	SHAFT (PRESSURE)	Fig03, 04/
100	P17037010	SHAFT (HEAD CAM)	Fig25, 26/
101	P17039000	BF STOPPER	Fig37, 38/
102	P17044000	ROLLER BR	Fig29, 30/
103	P17049010	RIBBON BOSS (GEAR)	Fig71/
104	P17050010	RIBBON BOSS	Fig71/
105	P17052000	PRESSURE CAM	Fig25, 26/
106	P17054030	CAM GEAR (33)	Fig35, 36/
107	P17055010	ADJUSTER	Fig35, 36/
108	P17056010	SPRING (TENSIONER)	Fig29, 30/
109	P17058000	SPRING (SAVER MOTOR)	Fig43, 44/
110	P17059010	SPRING (BACK)	Fig37, 38/
111	P17061000	SPRING (RIBBON END)	Fig31, 32, 32/
112	P17070010	GEAR (FEED)	Fig47, 48/
113	P17071020	SHAFT (GEAR FRAME A)	Fig45, 46/
114	P17093020	ENGINE FRAME (RH)	Fig04/ RH
115	P17094010	SHAFT (FRAME)	Fig25, 26/
117	P17102010	SPRING (TENSION) (LH)	Fig45/ LH
118	P17105000	SHAFT (FEED BR)	Fig09, 10/
119	P17106000	HINGE (FEED BR) (LH)	Fig09/ LH
120	P17107000	SPRING (HOOK) (LH)	Fig09, 10/
121	P17114020	HEAD TOP BR	Fig17, 18/
122	P17115010	PRESSURE BR A	Fig17, 18, 19, 20/

S84XX-ex S86XX-ex SERVICE PARTS LIST

DATE: 31 Jul, 2019

NO	First Code	Description	NOTE
123	P17118000	SPRING CAP	Fig21, 22, 23, 24/
124	P17121020	SHAFT (HEAD PRESSURE)	Fig17, 18/
125	P17122000	HEAD PRESSURE A	Fig17, 18, 19, 20/
126	P17123000	HEAD PRESSURE B	Fig17, 18, 19, 20/
127	P17124100	KNOB (HEAD PRESSURE)	Fig17, 18, 19, 20/
128	P17130000	SHAFT (ARM)	Fig17, 18/
129	P17131010	RELEASE LEVER	Fig17, 18/
130	P17132010	SPRING (RELEASE)	Fig17, 18, 19, 20/
131	P17136000	COLLAR (HEAD BR)	Fig21, 22, 23, 24/
132	P17137000	SPRING (HEAD)	Fig21, 22/
133	P17147000	ROLLER (LEVER)	Fig35, 36/
134	P17148000	SHAFT (LEVER ROLLER)	Fig35, 36/
135	P17280000	TENSION LINK	Fig45, 46/
136	P17368100	LEVER CAP	Fig17, 18, 19, 20/
137	P17394000	CABLE COVER (LH)	Fig13/ LH
138	P17402000	SPRING (BELT TENSION)	Fig45, 46/
139	P17411010	DISPENSE GUIDE B (LH)	Fig05/ LH
140	P17413000	GEAR PLATE	Fig29, 30/
141	P17434010	SHAFT (HINGE)	Fig09, 10/
142	P17470000	OILESS BEARING	Fig03, 04/
144	P17532000	PRESSURE ARM	Fig17, 18, 19, 20/
145	P17737000	BEARING HOLDER	Fig37, 38, 39, 40/
146	P17803010	DISPENSE GUIDE B (RH)	Fig06/ RH
147	P17805000	CABLE COVER (RH)	Fig14/ RH
148	P17808000	HINGE (FEED BR) (RH)	Fig10/ RH
149	P17810010	SPRING (TENSION) (RH)	Fig46/ RH
150	P17821000	KNOB (ADJUSTER)	Fig35, 36/
151	P17891000	GRITRON SE	Fig29, 30, 31, 32/

S84XX-ex S86XX-ex SERVICE PARTS LIST

DATE: 31 Jul, 2019

NO	First Code	Description	NOTE
152	P17926000	RIBBON END BAR (SUB)	Fig31, 32/
153	P17945041	SHAFT (BOSS UW)	Fig71/
154	P17946020	SHAFT (BOSS RW)	Fig71/
155	P17947000	COLLAR (BOSS)	Fig37, 38, 39, 40/
156	P17950000	PLATE (RIBBON UW)	Fig37, 38/
157	P17951020	SHAFT (ROLLER RW-RD)	Fig29, 30/
158	P17962000	SHAFT (ADJUSTER)	Fig35, 36/
159	P17991000	TIMING BELT	Fig43, 44/Recommended Spare parts
160	P18026010	FILTER	Fig63, 64/Recommended Spare parts
161	P18044000	ONE WAY CLUTCH	Fig39/ LH
162	P18659000	SHAFT (RIBBON SUB)	Fig29, 30/
163	P18754010	SHAFT (BOSS GUIDE UW)	Fig01, 02/
164	P18755010	SHAFT (BOSS GUIDE RW)	Fig01, 02/
165	P18788000	SHAFT (GEAR UW SUB)	Fig29, 30/
166	P18807000	RIBBON AJ PLATE (SUB)	Fig21, 22/
167	P18820000	SHAFT (FRONT SUB)	Fig29, 30/
168	P18887000	OILES BEARING	Fig29, 30/
169	P18956010	PULLEY (S2M 24)	Fig29, 30/
170	P32016000	TORQUE LIMITER	Fig29, 30/Recommended Spare parts
171	P19515000	TIMING BELT	Fig31, 32/Recommended Spare parts
174	P20539000	BELT COVER (LH)	Fig51/ LH
175	P20540000	BELT COVER (RH)	Fig52/ RH
176	P20718000	SPRING (LOCK LEVER) LH	Fig03/ LH
177	P20719000	SPRING (LOCK LEVER) RH	Fig04/ RH
178	PT2006006	DRY METAL	Fig35, 36/
179	P20916000	DRY METAL	Fig39, 40/
180	P22214000	SPRING (FEED BR)	Fig09, 10/
181	P22215000	SHAFT (GUIDE ROLLER)	Fig11, 12/

S84XX-ex S86XX-ex SERVICE PARTS LIST

DATE: 31 Jul, 2019

NO	First Code	Description	NOTE
182	P22216020	SCREW SHAFT (SENSOR)	Fig09, 10/
183	P22217000	SHAFT (ROLLER BR)	Fig09, 10/
184	P22218010	SENSOR HOLDER	Fig09, 10/
185	P22219000	GUIDE ROLLER HOLDER	Fig11, 12/
186	P22221000	SPRING (ROLLER BR)	Fig09, 10/
187	P22225000	SWITCH BRACKET	Fig11, 12/
188	P23465000	ROLLER GEAR (RW)	Fig29, 30/
189	P24424000	FLANGE BUSH B	Fig27, 28, 31, 32/
190	P24594000	MOTOR GUIDE B	Fig49, 50/
191	P24609000	STUD (RIBBON DIRECT)	Fig43, 44/
192	P24646000	RIBBON PLATE (RD)	Fig21, 22/
193	P25671000	DT COVER	Fig27, 28/
194	P34348001	GEAR PULLEY (52/64/38)	Fig47, 48/
195	P34928000	TIMING BELT (S2M 340)	Fig47, 48/Recommended Spare parts
196	P40906000	ADJUST PLATE	Fig27, 28, 31, 32/
197	P42281000	USB REINFORCE PLATE	Fig59, 60/
198	P42541000	BEARING	Fig01, 02/
199	PU3256060	TIMING BELT	Fig39, 40/Recommended Spare parts
200	P17886000	TIMING BELT	Fig39, 40/Recommended Spare parts
201	P44235000	SHAFT (TENSION ROLLER)	Fig01, 02/
202	P45308000	SHAFT (FEED)	Fig03, 04/
203	P45370001	PRESSURE LEVER	Fig03, 04/
206	P45377000	SHAFT (PRESSURE)	Fig03, 04/
208	P45466000	SHAFT (HEAD)	Fig19, 20/
209	P45499000	HEAD TOP BR (LH)	Fig19/ LH
210	P45561000	ADJUST PLATE (HEAD)	Fig19, 20/
211	P45562001	RELEASE LEVER	Fig19, 20/
212	P45588000	SPACER (HEAD)	Fig23, 24/

S84XX-ex S86XX-ex SERVICE PARTS LIST

DATE: 31 Jul, 2019

NO	First Code	Description	NOTE
213	P45726000	SHAFT (ARM)	Fig19, 20/
214	P45778000	SHAFT (HEAD PRESSURE B)	Fig19, 20/
215	P45780000	SHAFT (FRAME)	Fig25, 26/
216	P46062000	SHAFT (HEAD CAM)	Fig25, 26/
217	P46163000	HOLE PLUG	Fig65, 66/
218	P46240000	POST (TENSION) (A)	Fig45, 46/
219	P46241000	POST (TENSION) (B)	Fig45, 46/
220	P46247000	TENSION BRACKET	Fig45, 46/
221	P46249000	POST (PULLEY)	Fig45, 46/
222	P46270000	TIMING BELT (S2M*274)	Fig47, 48/Recommended Spare parts
223	P46271000	TIMING BELT (S3M*192)	Fig47, 48/Recommended Spare parts
224	P46330000	STAY (FRAME)	Fig03, 04/
225	P46415000	SHAFT (LABEL GUIDE)	Fig25, 26/
226	P46496000	RIBBON PLATE	Fig23, 24/
227	P46527000	DISPENSE BAR (6)	Fig05, 06/
228	P46535000	SHAFT (ROLLER BR)	Fig09, 10/
229	P46558000	GUIDE ROLLER HOLDER	Fig11, 12/
230	P46559000	SHAFT (GUIDE ROLLER)	Fig11, 12/
231	P46567000	SHAFT (SUB ROLLER)	Fig05, 06/
232	P46626000	SCREW SHAFT (SENSOR)	Fig09, 10/
233	P46658000	SHAFT (RIBBON SUB)	Fig29, 30/
234	P46659000	SHAFT (FRONT SUB)	Fig29, 30/
235	P46666000	SHAFT (ROLLER UW-RD)	Fig29, 30/
236	P46667000	SHAFT (ROLLER RW-RD)	Fig29, 30/
237	P46719000	RIBBON END BAR	Fig31, 32/
238	P46797000	HEAD TOP BR (RH)	Fig20/ RH
239	P46799000	RIBBON ADJUST PLATE	Fig23, 24/
240	P46802000	PULLEY (18/90)	Fig45, 46/

S84XX-ex S86XX-ex SERVICE PARTS LIST

DATE: 31 Jul, 2019

NO	First Code	Description	NOTE
241	P53133000	LED LENS	Fig51, 52/
242	P53330000	PROTECT SHEET	Fig11, 12/
243	P53332000	PROTECT SHEET 6	Fig11, 12/
244	P53483000	DISPENSE BAR	Fig05, 06/
245	P53505000	ADJUST PLATE (HEAD)	Fig17, 18/
246	P53546000	DRV PCB BR	Fig65, 66/
247	P53742000	LOCK PLATE	Fig27, 28, 31, 32/
248	P53743000	LOCK LEVER	Fig27, 28, 31, 32/
249	P53744000	HEAD LOCK HANDLE	Fig27, 28, 31, 32/
250	P53878000	TENSION ROLLER	Fig47, 48/
251	P54096000	HEAD CABEL COVER	Fig35, 36/
252	P54097000	HEAD CABLE COVER	Fig35, 36/
253	P54109000	PANEL COVER	Fig51, 52/
254	P54110000	BUTTON	Fig51, 52/
255	P54111000	PROTECT SHEET	Fig51, 52/
256	P46665000	D30-0195-00 PIN (SIDE FRAME)	Fig05, 06/
257	P54184001	SENSOR COVER (LH) S84ex	Fig13/ LH
258	P54186002	FEED BRACKET (LH) S84ex	Fig09/ LH
259	P54197001	ROLLER BR (LH) S84ex	Fig09/ LH
260	P54282001	SHAFT (PRESSURE LEVER)	Fig03, 04/
261	P54287000	LOGO PLATE	Fig53, 54/
262	P54305000	HOOK	Fig09, 10/
263	P54370000	KNOB (PRESSURE ROLLER)	Fig05, 06/
264	P54389001	ROLLER BRACKET (LH) S86ex	Fig09/ LH
265	P54396001	ROLLER BR (RH) S84ex	Fig10/ RH
266	P54397001	ROLLER BRACKET (RH) S86ex	Fig10/ RH
267	P54401001	SENSOR COVER (RH) S84ex	Fig14/ RH
268	P54402003	FEED BRACKET (RH) S84ex	Fig10/ RH

S84XX-ex S86XX-ex SERVICE PARTS LIST

DATE: 31 Jul, 2019

NO	First Code	Description	NOTE
269	P54405001	SENSOR COVER(LH) S86ex	Fig13/ LH
270	P54407002	FEED BRACKET(RH) S86ex	Fig10/ RH
271	P54408002	FEED BRACKET(LH) S86ex	Fig09/ LH
272	P54440000	POLY SLIDER WASHER	Fig45, 46, 47, 48/
273	P54468000	STAY (LH)	Fig57/ LH
274	P54469000	STAY (RH)	Fig58/ RH
275	P54470000	MAGNET CATCH	Fig53, 54, 55, 56/
276	P54478000	WIRE SADDLE	Fig65, 66/
277	P54479000	STEAL CLAMP	Fig63, 64/
278	P54485010	STUD (USB COVER)	Fig59, 60/
279	P54649000	WIRE CLAMP	Fig33, 34, 61, 62/
280	P55046001	KNOB SCREW	Fig09, 10, 35, 36/
281	P56231000	SPRING(HEAD OPEN A)	Fig25, 26/
282	P55778000	LOGO PLATE	Fig53, 54/
283	PA6730300	COVER (SEN6)	Fig55, 56/
284	PE1A20000	DEMAND ROLLER(B)	Fig05, 06, 11, 12/
285	PE2730300	STOPPER COLLAR	Fig09, 10/
286	PL2720100	ADJUST COLLAR	Fig27, 28, 31, 32/
287	PT1114080	BALL BEARING	Fig37, 38, 39, 40/
288	PT2103050	OILES BEARING	Fig29/
289	PT2106010	DRY METAL	Fig35, 36/
290	PT2106030	OILES BEARING	Fig29, 30/
291	PT9740300	POLY SLIDER	Fig37, 38, 39, 40/
292	P56131400	CUSHION(LCD)	Fig51, 52/
293	R00603000	ROLLER(6.1*12*26)	Fig09, 10/
294	R05255010	FG CABLE - 90SET -LF	Fig67, 68/
295	R07576000	MOTOR BR(SAVER) LH SET	Fig43/ LH
297	R07583000	MOTOR BR(SAVER) RH SET	Fig44/ RH

S84XX-ex S86XX-ex SERVICE PARTS LIST

DATE: 31 Jul, 2019

NO	First Code	Description	NOTE
298	R07588000	TENSION PLATE (LH) SET	Fig45/ LH
299	R07718040	HEAD BR (LH) SET	Fig17/ LH
301	R07927000	TENSION PLATE (RH) SET	Fig46/ RH
302	R07928040	HEAD BR (RH) SET	Fig18/ RH
303	R08448000	TENSIONER BR (SUB) SET	Fig29, 30/
304	R08449010	SUB BASE (LH) SET	Fig29/ LH
305	R08499010	SUB BASE (RH) SET	Fig30/ RH
306	R19208000	USBH PCB ASSY-LF	Fig59, 60/Recommended Spare parts
307	R19302000	USBH CABLE SET-LF	Fig59, 60/
308	R20619000	PLATEN ROLLER SUB S86xx-ex	Fig07, 08/Recommended Spare parts
309	R20628000	ROLLER (PRESSURE) SUB S86xx-ex	Fig07, 08/Recommended Spare parts
310	R20634000	FEED ROLLER SUB S86xx-ex	Fig07, 08/Recommended Spare parts
312	R20677001	PRESSURE BASE SUB (LH)	Fig07/Recommended Spare parts LH
313	R20711001	HEAD BR SET	Fig19, 20/
314	R32975200	PRINT HEAD (8 DPMM) S8608-ex	Fig35, 36/Recommended Spare parts
315	R21105000	GEAR FRAME SET (LH)	Fig45/ LH
316	R21106000	GEAR FRAME SET (RH)	Fig46/ RH
317	R21147000	S84-86-DRV POWER CABLE SET-LF	Fig67, 68/
318	R21152000	S86-POWER SUPPLY CABLE SET-LF	Fig67, 68/
319	R21155000	S86-HEAD POWER CABLE SET-LF	Fig33, 34/
320	R33068300	S84-86-HEAD CABLE2 SET-LF	Fig33, 34/
321	R21159000	S84-86-INLET CABLE SET-LF	Fig63, 64/
322	R21160001	S84-86-AC LINE CABLE SET-LF	Fig15, 16, 69, 70/
323	R21182001	S84-86-SENSOR CABLE SET-LF	Fig13, 14, 33, 34, 61, 62/
324	R21191000	S84-86-R SUPPLY CABLE SET-LF	Fig01, 02, 61, 62/Recommended Spare parts
325	R21197000	S84-86-HO SENSOR CABLE SET-LF	Fig25, 26, 33, 34/Recommended Spare parts
326	R21198000	S84-HEAD UP SENSOR CABLE SET-LF	Fig35, 36/Recommended Spare parts
327	R21200000	S84-86-LID L SENSOR CABLESET-LF	Fig11, 12/

S84XX-ex S86XX-ex SERVICE PARTS LIST

DATE: 31 Jul, 2019

NO	First Code	Description	NOTE
328	R21212000	S84-86-COVER OPEN CABLE SET-LF	Fig55, 56/Recommended Spare parts
329	R21216002	S84-86-KB CABLE SET LH-LF	Fig51, 52/
330	R21221000	S84-86-FAN CABLE SET-LF	Fig67, 68/
331	R21507001	PRESSURE BASE SUB (RH)	Fig08/Recommended Spare parts RH
333	R32975300	PRINT HEAD (12 DPMM) S8612-ex	Fig35, 36/Recommended Spare parts
334	R21520000	RIBBON ROLLER SET	Fig29, 30/
335	R26108000	S84-HEAD POWER CABLE SET-LF	Fig33, 34/
336	R27602000	PRESSURE ASSY (LH)	Fig07/Recommended Spare parts LH
337	R27603000	PURESSURE ASSY (RH)	Fig08/Recommended Spare parts RH
338	R27773000	PITCH SENSOR BR SET	Fig11, 12/
339	R27774000	PITCH SENSOR BRACKET 6	Fig11, 12/
340	R28132002	STAY HEAD SET (LH) S84ex	Fig27, 31/ LH
341	R28215001	TOP COVER SET (LH) S84ex	Fig55/ LH
342	R28225001	TOP COVER SET (LH) S86ex	Fig55/ LH
343	R28374005	MAIN PCB S84-ex/S86-ex	Fig65, 66/Recommended Spare parts
344	R28423001	S84-DRV PCB ASSY-LF	Fig65, 66/Recommended Spare parts
345	R28566001	CLOSE COVER C SET	Fig65, 66/
346	R28567002	STAY HEAD SET (RH) S84ex	Fig28, 32/ RH
347	R28577002	STAY HEAD SET (LH) S86ex	Fig27, 31/ LH
348	R28578002	STAY HEAD SET (RH) S86ex	Fig28, 32/ RH
349	R28580001	CLOSE COVER B SET (LH)	Fig63/ LH
350	R28583001	CLOSE COVER B SET (RH)	Fig64/ RH
351	R28705001	TOP COVER SET (RH) S86ex	Fig56/ RH
352	R28706001	TOP COVER SET (RH) S84ex	Fig56/ RH
353	R28711001	CLOSE COVER A SET (LH)	Fig57/ LH
354	R28712001	CLOSE COVER A SET (RH)	Fig58/ RH
355	R28713000	S84-HEAD UP CABLE SET-LF	Fig65, 66/
356	R28742000	SIDE FRAME (LH) SET	Fig05/ LH

S84XX-ex S86XX-ex SERVICE PARTS LIST

DATE: 31 Jul, 2019

NO	First Code	Description	NOTE
357	R28804000	SIDE FRAME (RH) SET	Fig06/ RH
358	R29023001	USB PCB COVER (LH) SET	Fig59/ LH
359	R29029001	USB PCB COVER (RH) SET	Fig60/ RH
360	R29053000	IM/GAP-A PCB ASSY -LF S84-ex/S86-ex	Fig09, 10/Recommended Spare parts
361	R29054000	IM/GAP-B PCB ASSY -LF S84-ex/S86-ex	Fig11, 12/Recommended Spare parts
362	R29175000	FEED ROLLER SUB S84xx-ex	Fig07, 08/Recommended Spare parts
363	R29176000	ROLLER (PRESSURE) SUB S84xx-ex	Fig07, 08/Recommended Spare parts
364	R29177000	PLATEN ROLLER SUB S84xx-ex	Fig07, 08/Recommended Spare parts
365	R29219000	PRINT HEAD (8 DPMM) S8408-ex	Fig35, 36/Recommended Spare parts
366	R29225000	PRINT HEAD (12 DPMM) S8412-ex	Fig35, 36/Recommended Spare parts
367	R29226000	PRINT HEAD (24 DPMM) S8424-ex	Fig35, 36/Recommended Spare parts
368	R29229000	RIBBON ROLLER SET	Fig29, 30/
369	R29430000	S84-POWER SUPPLY CABLE SET-LF	Fig67, 68/
370	R29555001	TOP OPEN COVER (LH) SET	Fig53/ LH
371	R29952001	TOP OPEN COVER (RH) SET	Fig54/ RH
372	R30802001	KB SUB ASSY-LF S84-ex/S86-ex	Fig51, 52/Recommended Spare parts
373	P17952010	SHAFT (ROLLER UW-RD)	Fig29, 30/
376	Q03427000	PAPER CORE	Fig72/
377	Q04522500	QUICK GUIDE	Fig72/
378	Q04522900	QUICK GUIDE (CHINA 1st)	Fig72/
379	Q04537300	GWP-LEAFLET	Fig72/
380	Q04538600	SAFETY INSTRUCTIONS	Fig72/
382	QL1003000	PAPER CORE	Fig72/
383	R29622000	S84-86-EXT CONVERT CABLE SET -LF	Fig72/
384	R29626002	PACKING SUB ASSY (4)	Fig72/
385	R29629002	PACKING SUB ASSY (6)	Fig72/
386	MD4302022	PAN HEAD SCREW+SW+WL	Fig21, 22, 23, 24/
387	P26540000	WASHER	Fig27, 28/

S84XX-ex S86XX-ex SERVICE PARTS LIST

DATE: 31 Jul, 2019

NO	First Code	Description	NOTE
388	P56159700	TP SCREW	Fig37, 38, 39, 40/
389	MA7300625	TRUSS SCREW	Fig55, 56/
400	Q04255000	STICKER (CAUTION)	Fig13, 14/
401	QC6524200	STICKER (CAUTION HOT)	Fig17, 18, 19, 20/
402	P54404001	SENSOR COVER (RH) S86ex	Fig14/ RH
403	P07034000	C RING	Fig71/
404	J00040000	NYLON CLAMP	Fig51, 52/
405	ND0070030	E SNAP RING	Fig19, 20/
406	P46958000	SPRING (HEAD)	Fig23, 24/
407	P24423000	FLANGE BUSH A	Fig03, 04/
408	P56111300	SHAFT (BOSS UW)	Fig71/
409	P56111200	SHAFT (BOSS RW)	Fig71/
410	MA2250422	BIND HEAD SCREW	Fig73/
411	ND0025030	E SNAP RING	Fig73/
412	P17010000	PRESSURE PLATE	Fig73/
413	P17035000	SHAFT (PRESSURE B)	Fig73/
414	P17097000	PRESSURE ADJUST	Fig73/
415	P19736010	SPRING (PRESSURE) A	Fig73/
416	P19737010	SPRING (PRESSURE) B	Fig73/
417	P45371001	PRESSURE PLATE	Fig73/
418	P45375000	SHAFT (PRESSURE B)	Fig73/
419	P45382000	PRESSURE ROLLER	Fig73/
420	P53073000	PRESSURE ROLLER	Fig73/
421	P57285200	BALL SUPPORTER	Fig73/
422	Q01535000	CUSHION C	Fig72/
423	Q01791002	POLY BAG (SR/GT)	Fig72/
424	Q04510100	CARTON B	Fig72/
425	Q04516701	CARTON CASE	Fig72/

S84XX-ex S86XX-ex SERVICE PARTS LIST

DATE: 31 Jul, 2019

NO	First Code	Description	NOTE
426	Q04517100	CARTON B	Fig72/
427	Q04562600	CARTON D	Fig72/
428	R07578010	PRESSURE BASE (LH) SET	Fig73/LH
429	R07925010	PRESSURE BASE (RH) SET	Fig73/RH
430	R14621000	CUSHION (TOP) ASSY	Fig72/
431	R14631000	CUSHION (BOTTOM) ASSY	Fig72/
432	R20675001	PRESSURE BASE SET (LH)	Fig73/LH
433	R21158000	PITCH SENSOR BR SUB S86	Fig11, 12/
434	R21225005	FEED BRACKET SUB (LH) S86	Fig13/LH
435	R21508001	PURESSURE BACE SET (RH)	Fig73/RH
439	R22055005	FEED BRACKET SUB (RH) S86	Fig14/RH
440	R25403004	FEED BRACKET SUB (LH) S84	Fig13/LH
441	R25406005	FEED BRACKET SUB (RH) S84	Fig14/RH
442	R25610000	PITCH SENSOR BR SUB ASSY S84	Fig11, 12/
443	R28864004	KEYBOARD PANEL ASSY	Fig51, 52/
444	R29883000	GUIDE ROLLER SUB ASSY	Fig11, 12/
445	R29885000	GUIDE ROLLER SUB ASSY	Fig11, 12/
446	R32070900	INNER CARTON SET (4)	Fig72/
447	R32071000	INNER CARTON SET (6)	Fig72/
451	MD4401022	PAN HEAD SCREW+SW+WL	Fig51, 52/
452	R21138001	GEAR BOX ASSY (LH)	Fig49/LH
453	R21140001	GEAR BOX ASSY (RH)	Fig50/RH
454	P17020000	MOTOR BR (RIBBON) (LH)	Fig41/LH
455	P17064000	MOTOR BR (RIBBON) (RH)	Fig42/RH
456	P17057000	SPRING (RIBBON MOTOR)	Fig41, 42/
457	PE3720500	ROLLER (6. 1*9*6)	Fig9, 10/