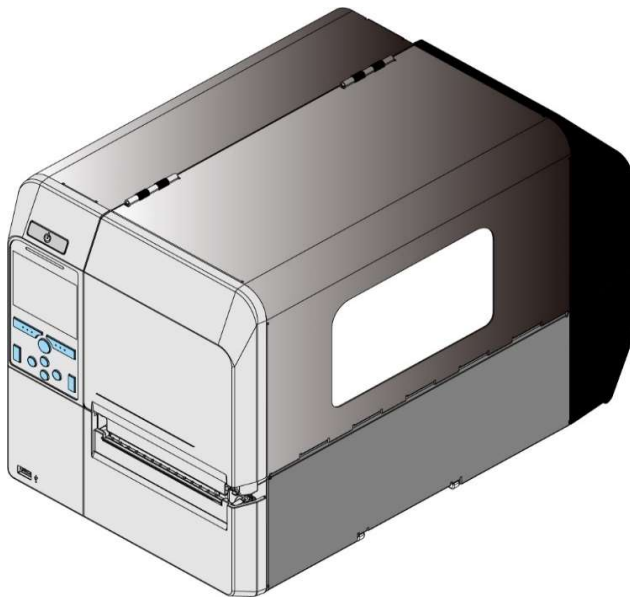


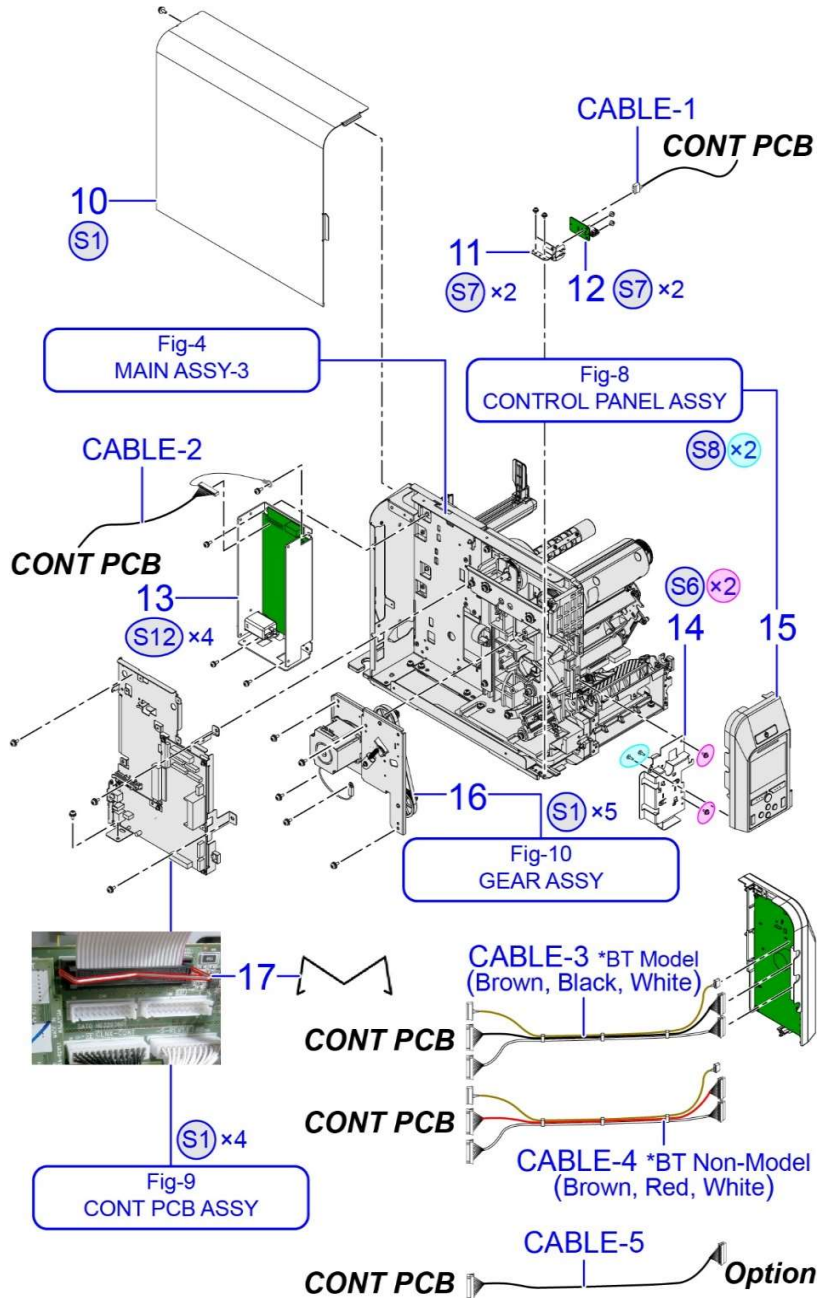


Service Parts

CL4NX PLUS

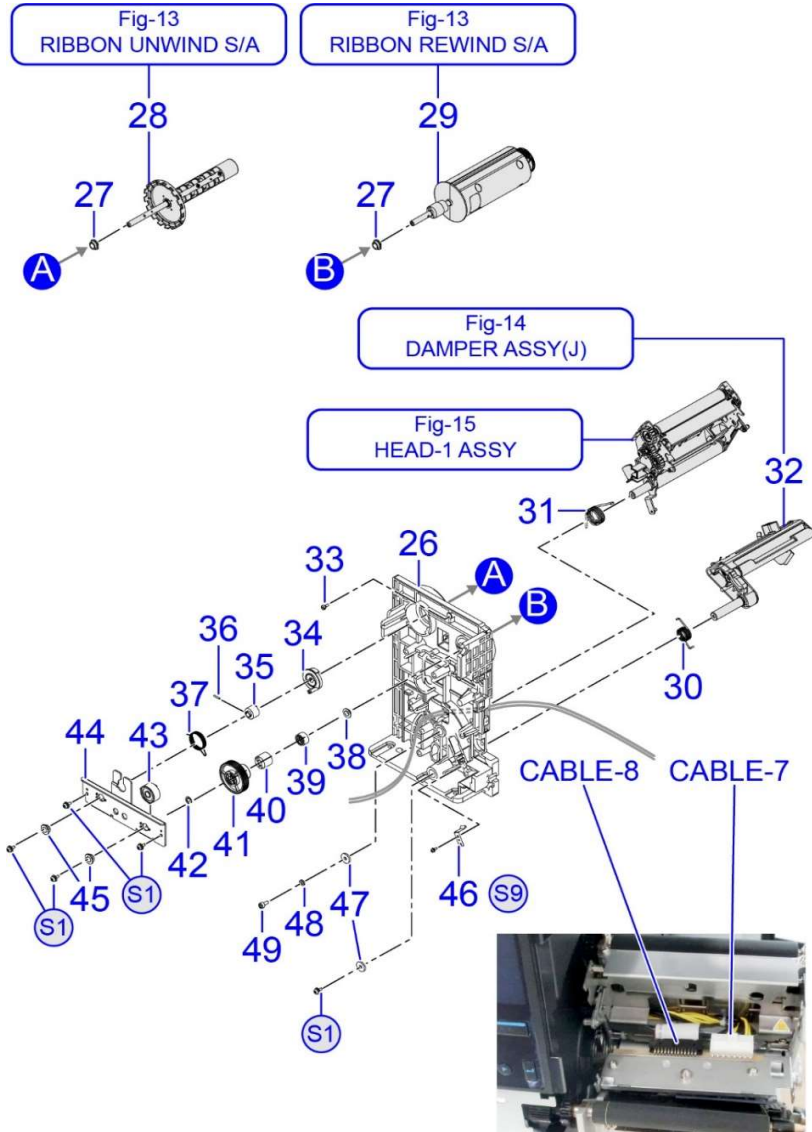


- [FIG-2](#) [MAIN ASSY-1](#)
*1: PLATEN, HEAD SUB ASSY
- [FIG-3](#) [MAIN ASSY-2](#)
*1: POWER UNIT ASSY
- [FIG-4](#) [MAIN ASSY-3](#)
- [FIG-5](#) [MAIN ASSY-4](#)
*1: HO RB PCB, PITCH SENSOR
- [FIG-6](#) [MAIN ASSY-5](#)
*1: TORQUE LIMITER
- [FIG-7](#) [OPEN COVER ASSY](#)
- [FIG-8](#) [CONTROL PANEL ASSY](#)
*1: CLNX KB PCB ASSY
- [FIG-9](#) [CONT PCB ASSY](#)
*1: CLNX-CONT-S PCB ASSY
- [FIG-10](#) [GEAR ASSY](#)
*1: TIMING BELT
- [FIG-11](#) [LABEL HOLDER ASSY](#)
- [FIG-12](#) [ENGINE BASE ASSY / MAIN](#)
- [FIG-13](#) [RIBBON UNWIND / RIBBON REWIND](#)
- [FIG-14](#) [DAMPER ASSY\(J\)](#)
- [FIG-15](#) [HEAD ASSY-1](#)
- [FIG-16](#) [HEAD ASSY-2](#)


MAIN ASSY-2

No.	FIRST CODE	DESCRIPTION	NOTE
10	R27582000	COVER LH SET	
S1	MD4401022	PAN HEAD SCREW+SW+WL	
11	P53115000	USB PCB BR	
S7	MD4300622	PAN HEAD SCREW+SW+WL	
12	R28364000	CL4NX USB PCB ASSY -LF	*1
CABLE-1	R28426000	USB HOST CABLE SET-LF	
S7	MD4300622	PAN HEAD SCREW+SW+WL	
13	R29211003	Power Unit ASSY-LF	*1
CABLE-2	R28429001	POWER SUPPLY CABLE SET-LF	
S12	MD3401021	PAN HEAD SCREW+SW+WS	
14	P53114000	CONT PCB BR	
S6	MD4300822	PAN HEAD SCREW+SW+WL	
15	R29807006	CONTROL PANEL ASSY CL4NX (NFC)	Fig-8
CABLE-3	R32514000	KB CABLE (NFC) SET-LF	BT Model
CABLE-4	R33111100	KB CABLE(NON-BT,NFC) SET-LF	Non-BT Model
S8	M16208000	BIND HEAD P TIGHT SCREW	
16	R29788003	GEAR BRACKET ASSY	
S1	MD4401022	PAN HEAD SCREW+SW+WL	
17	PC9730100	SPRING(LOCK)	
Fig-8		CONTROL PANEL ASSY	
Fig-9		CONT PCB ASSY	
S1	MD4401022	PAN HEAD SCREW+SW+WL	
Fig-10		GEAR ASSY	
CABLE-5	R28425000	OPTION CABLE SET-LF	

NOTE *1: Recommended Spare parts

MAIN ASSY-5
[TOP](#)


No.	FIRST CODE	DESCRIPTION	NOTE
26	P52952009	CENTER FRAME	
27	P53759000	METAL BUSH	
28	R29806000	RIBBON UNWIND S/A	Fig-13
29	R29803000	RIBBON REWIND S/A	Fig-13
30	P56209300	SPRING(DAMPER BASE)	Old:P53637000
31	P53600001	SPRING(HEAD UP)	
32	R32942302	DAMPER ASSY(J)	Fig-14
33	P53598000	PIN(COVER LH)	
34	P11280010	BF STOPPER	
35	P12267000	TORQUE LIMITER	*1
36	P58681900	TORQUE LIMITER SCREW2	
37	P56412101	BF SPRING	
38	P15203000	OILES BEARING	
39	P11461000	ONEWAY CLUTCH	
40	P23172000	TORQUE LIMITTER	*1
41	P52962000	GEAR C(0_6*81)	
42	ND0060030	E SNAP RING	
43	P55533000	ONE-WAY LIMITTER	
44	P53008000	RIBBON FRAME	
S1	MD4401022	PAN HEAD SCREW+SW+WL	
45	P53759000	METAL BUSH	
S1	MD4401022	PAN HEAD SCREW+SW+WL	
46	P53139000	SENSOR CASE TENSION	
S9	MD3300822	PAN HEAD SCREW+SW+WS	
47	PA0720100	COLLAR (5*16*2.3)	
48	NB0050022	SPRING WASHER	
49	MN1501030	HEX BOLT	
S1	MD4401022	PAN HEAD SCREW+SW+WL	
CABLE-7	R28432000	HEAD POWER CABLE SET-LF	
CABLE-8	R28428002	HEAD SIGANL CABLE SET-LF	
Fig-15		HEAD-1 ASSY	

NOTE *1: Recommended Spare parts

ENGINE BASE ASSY
[TOP](#)
ENGINE BASE ASSY

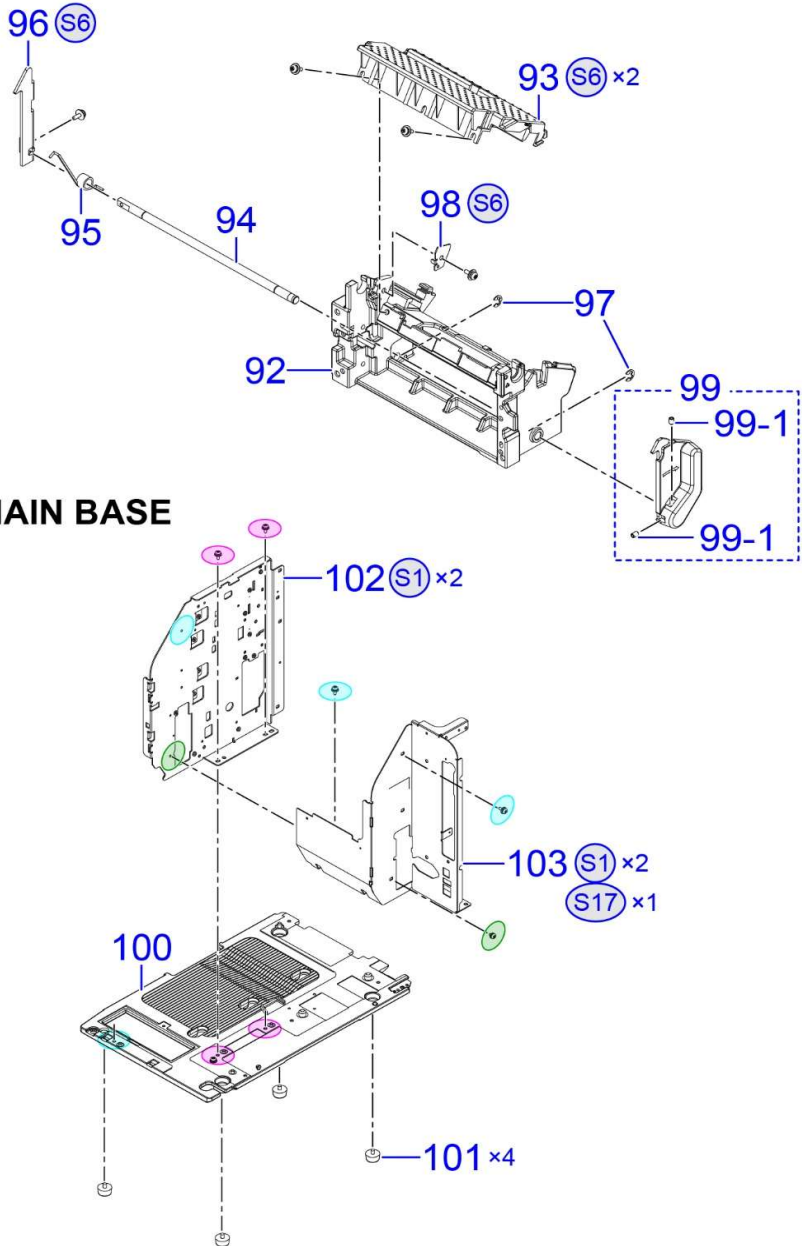
No.	FIRST CODE	X	NOTE
92	P52953002	ENGINE FRAME	
92	P62217901	ENGINE FRAME SRA	
93	P52958000	MEDIA GUARD	
S6	MD4300822	PAN HEAD SCREW+SW+WL	
94	P53602000	SHAFT(HOOK)	
95	P53616000	SPRING(HOOK)	
96	P52954000	HEAD LOCK PLATE LH	
S6	MD4300822	PAN HEAD SCREW+SW+WL	
97	ND0040030	E SNAP RING	
98	P52973000	LABEL GUIDE LH(F)	
S6	MD4300822	PAN HEAD SCREW+SW+WL	
99	R30541000	HEAD LOCK ASSY	
99-1	MJ1400524	HEX SOCKET SET SCREW(W-POINT)	

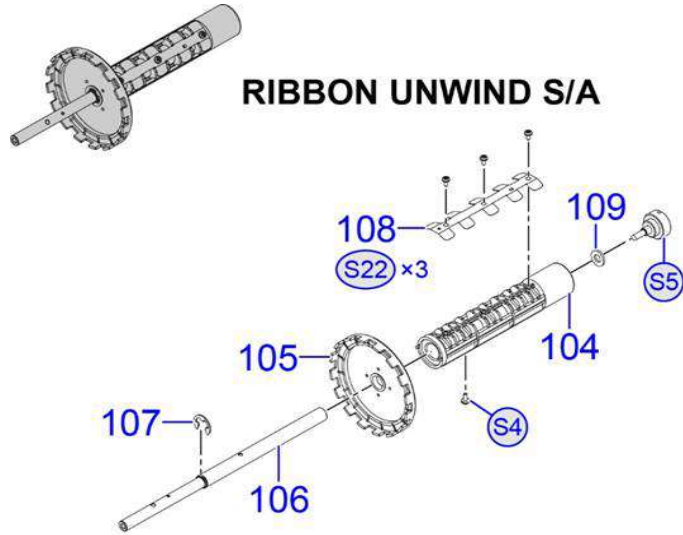
MAIN BASE
MAIN BASE

100	P52964000	BASE FRAME	
101	P11522000	CASE LEG	
102	P61084700	CENTER PLATE	
S1	MD4401022	PAN HEAD SCREW+SW+WL	
103	R37752600	REAR PANEL LH(SILK)	
S1	MD4401022	PAN HEAD SCREW+SW+WL	
S17	MD3400622	PAN HEAD SCREW+SW+WS	

NOTE

*1: Recommended Spare parts



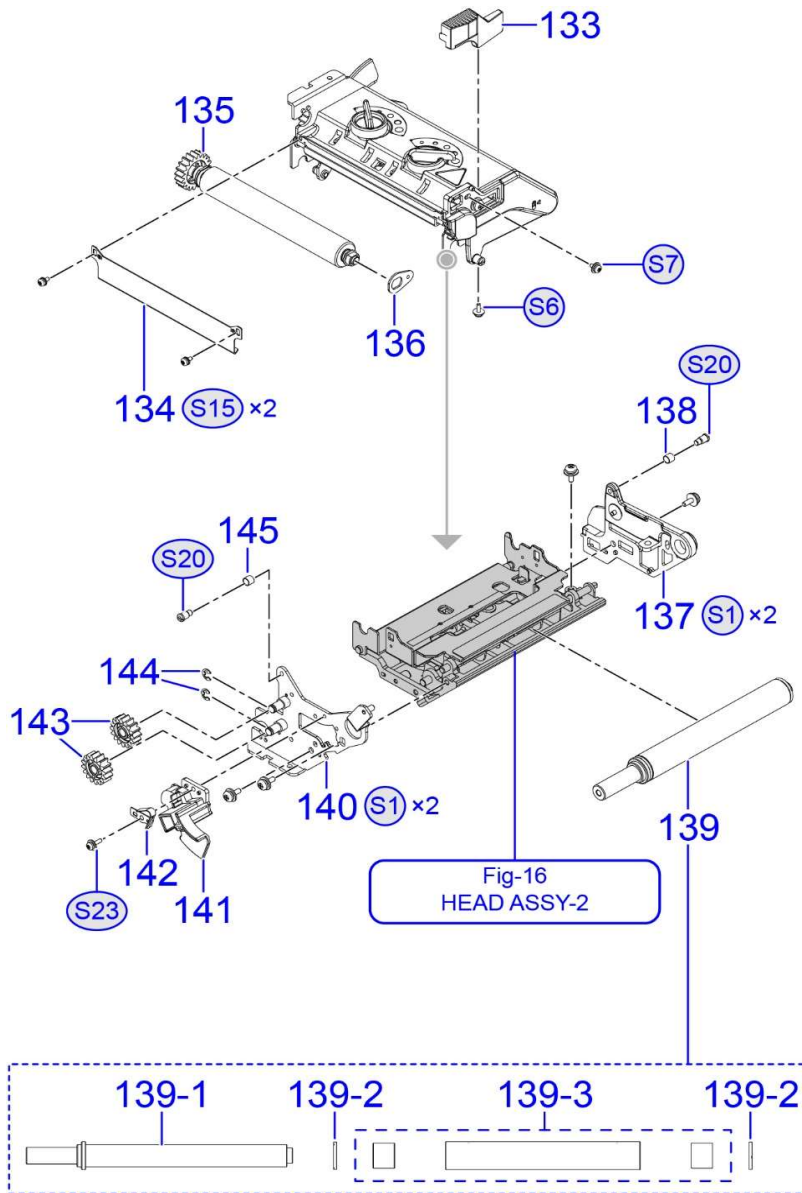
RIBBON UNWIND S/A
[TOP](#)

RIBBON UNWIND S/A

No.	FIRST CODE	DESCRIPTION	NOTE
104	P53006000	RIBBON BOSS	
S4	MA0300621	PAN HEAD SCREW	
105	P53005000	DISK PLATE	
106	P53633000	SHAFT(RIBBON BOSS)	
107	ND0080030	E-SNAP RING	
108	P00626000	SPRING(RIBBON BOSS)	
S22	MH0300522	PAN HEAD P TIGHT SCREW	
109	NB0060022	SPRING WASHER	
S5	P53642000	RIBBON BOSS SCREW	


RIBBON REWIND S/A
RIBBON REWIND S/A

110	P53632000	SHAFT(RIBBON CORE)	
111	P53003001	RIBBON CORE-IN	
S6	MD4300822	PAN HEAD SCREW+SW+WL	
112	R29805000	RELEASE BUTTON S/A	
112-1	P53002000	RELEASE BUTTON COVER	
112-2	P53644000	RIBBON RELEASE SPRING	
111-3	P53001001	RELEASE BUTTON	
113	R29804000	RIBBON CORE (A) S/A	
114	P40494000	SPRING(SLIDE)	
115	P40495000	SHAFT(SLIDE)	
116	P37081000	GRIP SHEET	
S7	MD4300622	PAN HEAD SCREW+SW+WL	

NOTE
***1: Recommended Spare parts**

HEAD ASSY-1
[TOP](#)


No.	FIRST CODE	DESCRIPTION	NOTE
133	P52984000	HEAD CLOSE LEVER	
S6	MD4300822	PAN HEAD SCREW+SW+WL	
134	P52985001	AJ PLATE(RIBBON)	
S15	MD3300621	PAN HEAD SCREW+SW+WS	
135	R29801000	RIBBON ROLLER S/A	
136	P52988000	AJ PLATE(RIBBON ROLLER)	
S7	MD4300622	PAN HEAD SCREW+SW+WL	
137	P52966000	HEAD FRAME RH	
S1	MD4401022	PAN HEAD SCREW+SW+WL	
138	P41929000	COLLAR(5*6*4.8)	
S20	P53625000	HEAD LOCK SCREW	
139	R38797100	HEAD SHAFT S/A	
139-1	P61083900	SHAFT(HEAD)	
139-2	P61084102	ROLLER SPACER	
139-3	R38797200	RIBBON PIPE S/A	
140	R27444001	HEAD FRAME LH SET	
S1	MD4401022	PAN HEAD SCREW+SW+WL	
141	P52986001	HEAD HARNESS COVER	
142	P52987000	SENSOR HOLD SP	
S23	MD4301022	PAN HEAD SCREW+SW+WL	
143	P52989000	GEAR H(1_25*16)	
144	ND0040030	E SNAP RING	
145	P41929000	COLLAR(5*6*4.8)	
S20	P53625000	HEAD LOCK SCREW	
Fig-16		HEAD ASSY-2	

NOTE *1: Recommended Spare parts

